



US00D987851S

(12) **United States Design Patent** (10) **Patent No.:** **US D987,851 S**
Divekar et al. (45) **Date of Patent:** **** May 30, 2023**

(54) **TISSUE PROCESSING BAG CLAMP**
(71) Applicant: **Global Life Sciences Solutions Operations UK Ltd, Sheffield (GB)**
(72) Inventors: **Devina Divekar, Cambridge (GB); Klas Marteleur, Uppsala (SE); Joergen Lundberg, Uppsala (SE); Priya Hari, Cambridge (GB)**
(73) Assignee: **GLOBAL LIFE SCIENCES SOLUTIONS OPERATIONS UK LTD, Sheffield (GB)**

4,781,188 A * 11/1988 Collins A61B 17/122
606/120
D336,407 S * 6/1993 Harding D7/553.4
D425,205 S * 5/2000 Henigan D24/224
D470,849 S * 2/2003 Bertagnole D14/434
D548,357 S * 8/2007 Barbera-Guillem D24/216
D611,149 S * 3/2010 Riley D24/107
D624,644 S * 9/2010 Rago D24/118
D635,255 S * 3/2011 Travis D24/129
D804,682 S * 12/2017 Taylor D24/225
D943,764 S * 2/2022 Hyland D24/227

* cited by examiner

Primary Examiner — Omeed Agilee

(**) Term: **15 Years**

(74) *Attorney, Agent, or Firm* — Eversheds Sutherland (US) LLP

(21) Appl. No.: **29/778,720**

(22) Filed: **Apr. 14, 2021**

(30) **Foreign Application Priority Data**

Oct. 27, 2020 (GB) 6104893

(51) **LOC (14) Cl.** **24-02**

(52) **U.S. Cl.**
USPC **D24/227; D24/229**

(58) **Field of Classification Search**
USPC D24/107, 108, 110, 111–115, 122, 133, D24/152, 186, 215–219, 231, 232, 118, D24/226; D9/435, 444, 574, 575, 702, D9/703, 707, 709–711, 720
CPC A61J 1/10; A61J 1/1462; A61J 1/05; A61J 1/1406; A61J 1/1475; A61J 1/201; A61J 1/2024; A61J 1/2055; A61J 2200/76; A61J 15/00; A61B 2050/314; A61B 50/30
See application file for complete search history.

(56) **References Cited**

U.S. PATENT DOCUMENTS

D160,480 S * 10/1950 Crook D7/699
D239,396 S * 3/1976 Pappas D24/224

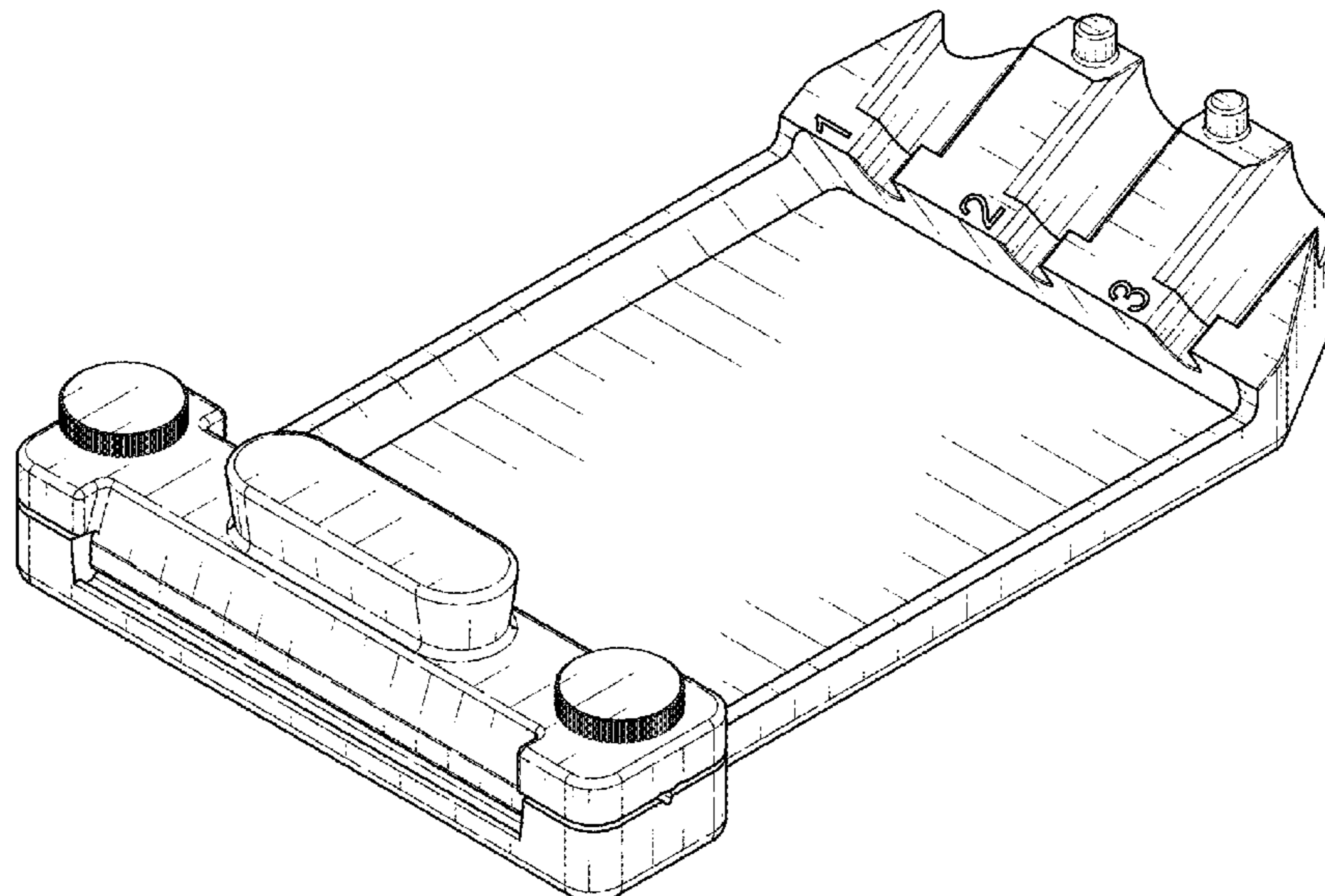
(57) **CLAIM**

The ornamental design for a tissue processing bag clamp, as shown and described.

DESCRIPTION

FIG. 1 is a top view of a tissue processing bag clamp;
FIG. 2 is a bottom view thereof;
FIG. 3 is a top, right side and front perspective view thereof;
FIG. 4 is a top, left side and rear perspective view thereof;
FIG. 5 is a top, right side and rear perspective view thereof;
FIG. 6 is a front view thereof;
FIG. 7 is a right side view thereof;
FIG. 8 is a rear view thereof; and,
FIG. 9 is a left side view thereof.
The dash lines in the drawings depict portions of the tissue processing bag clamp that form no part of the claimed design.

1 Claim, 6 Drawing Sheets



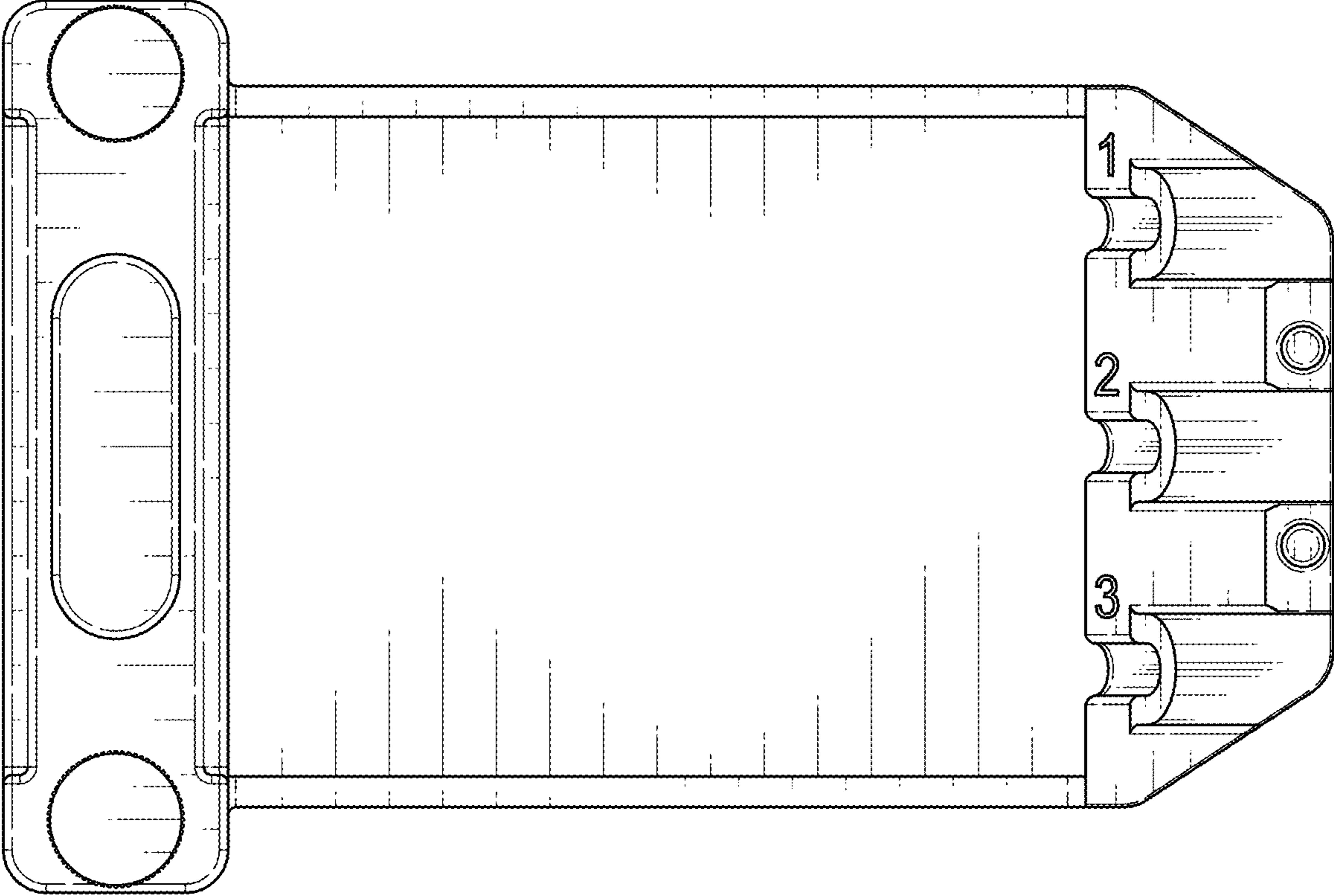


FIG. 1

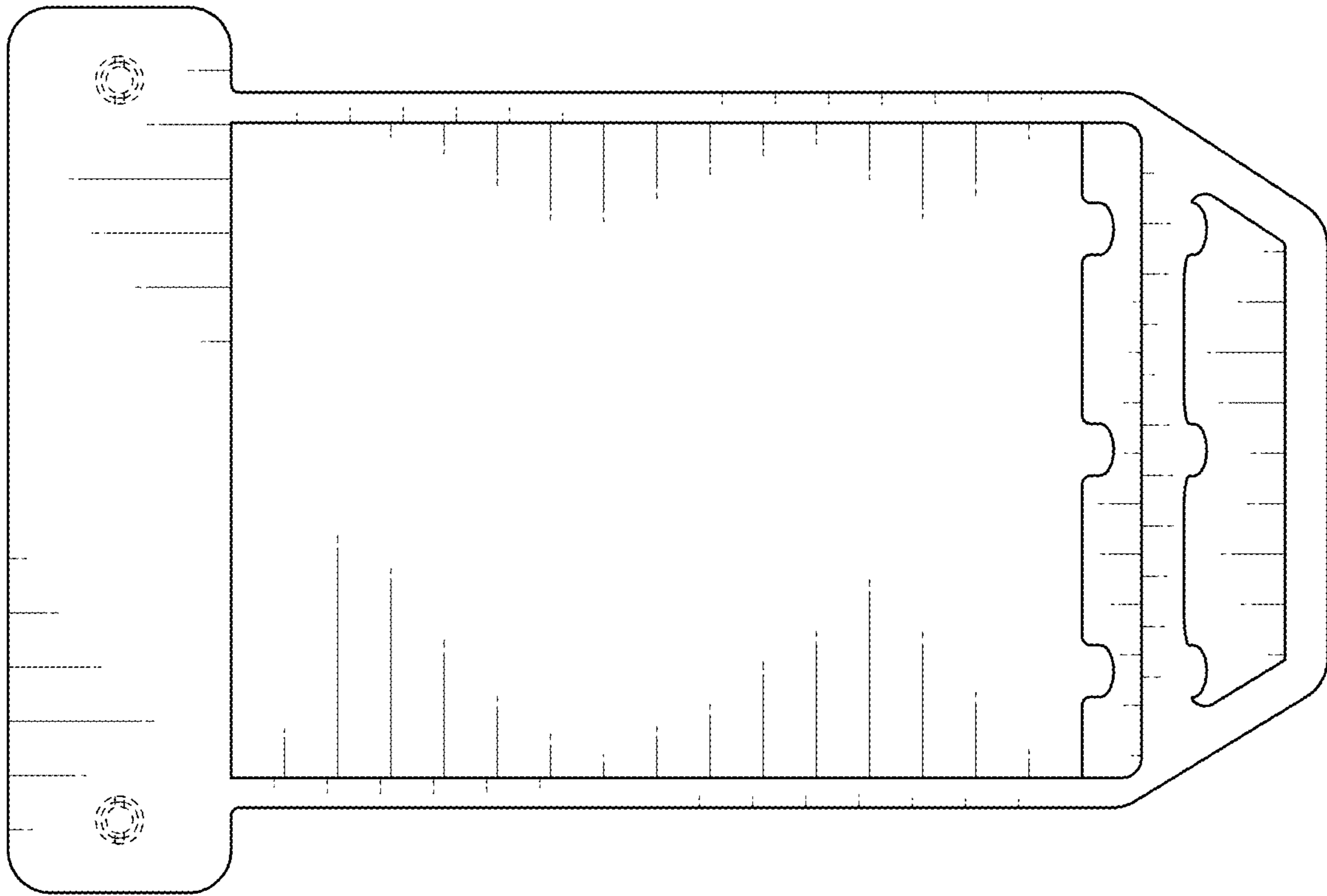


FIG. 2

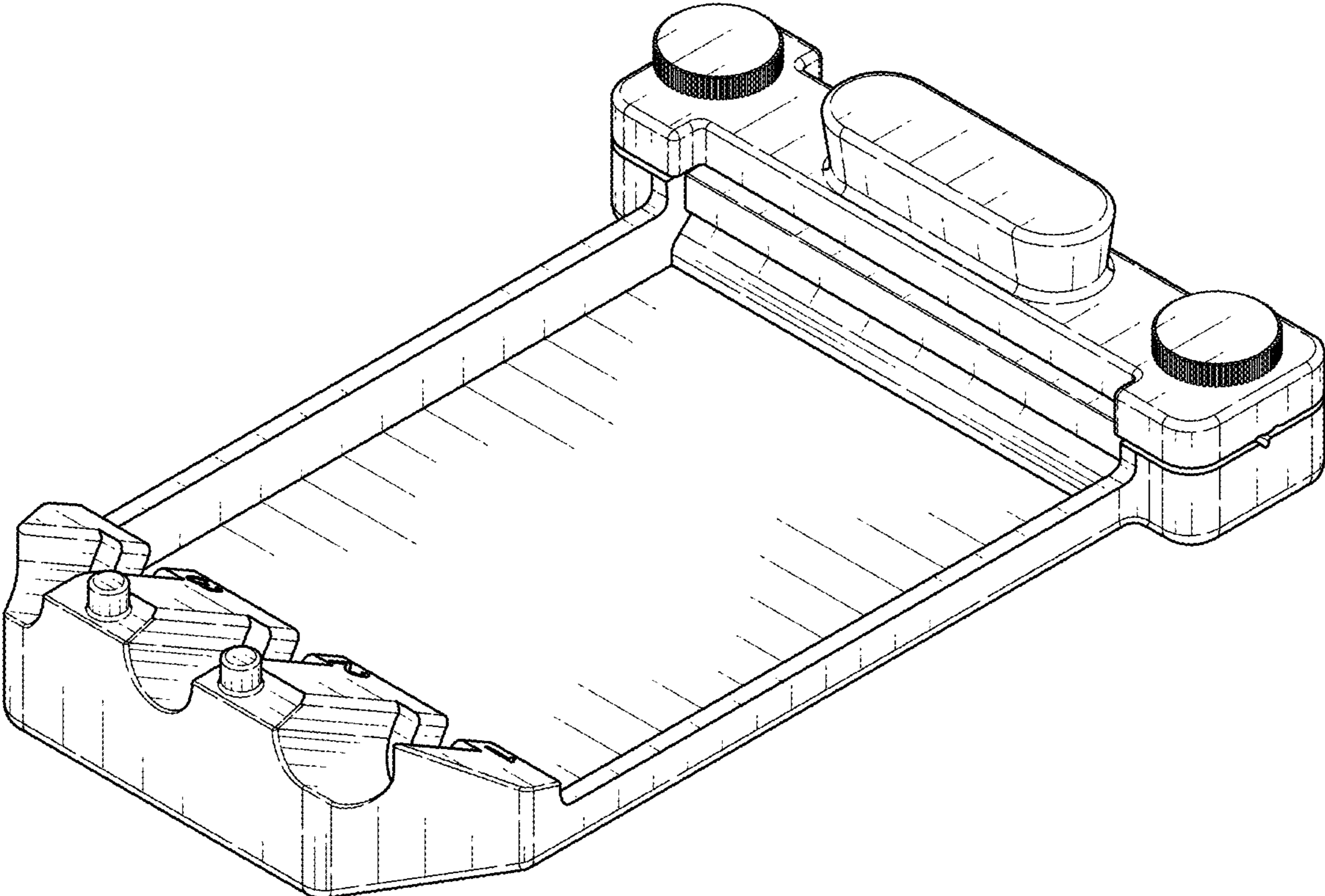


FIG. 3

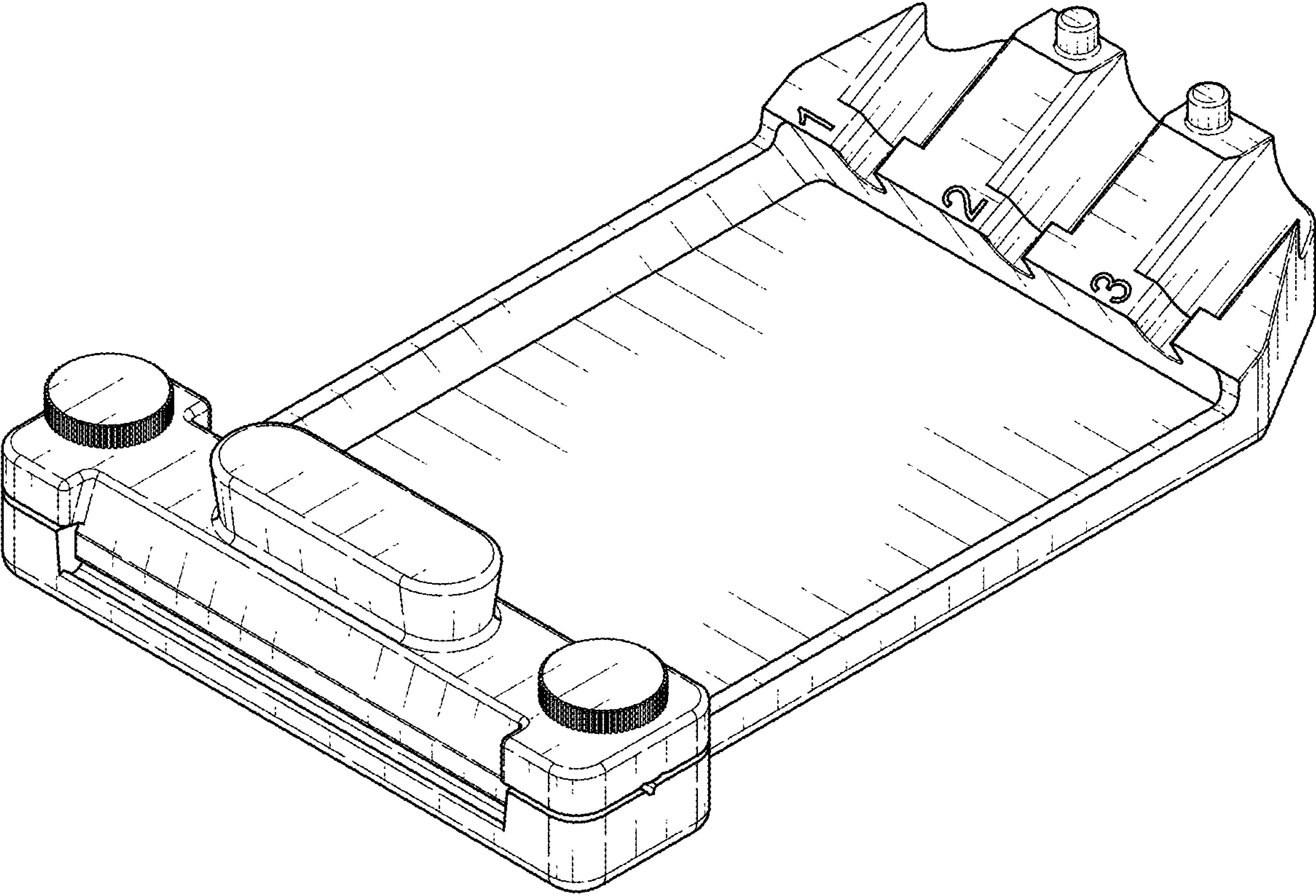


FIG. 4

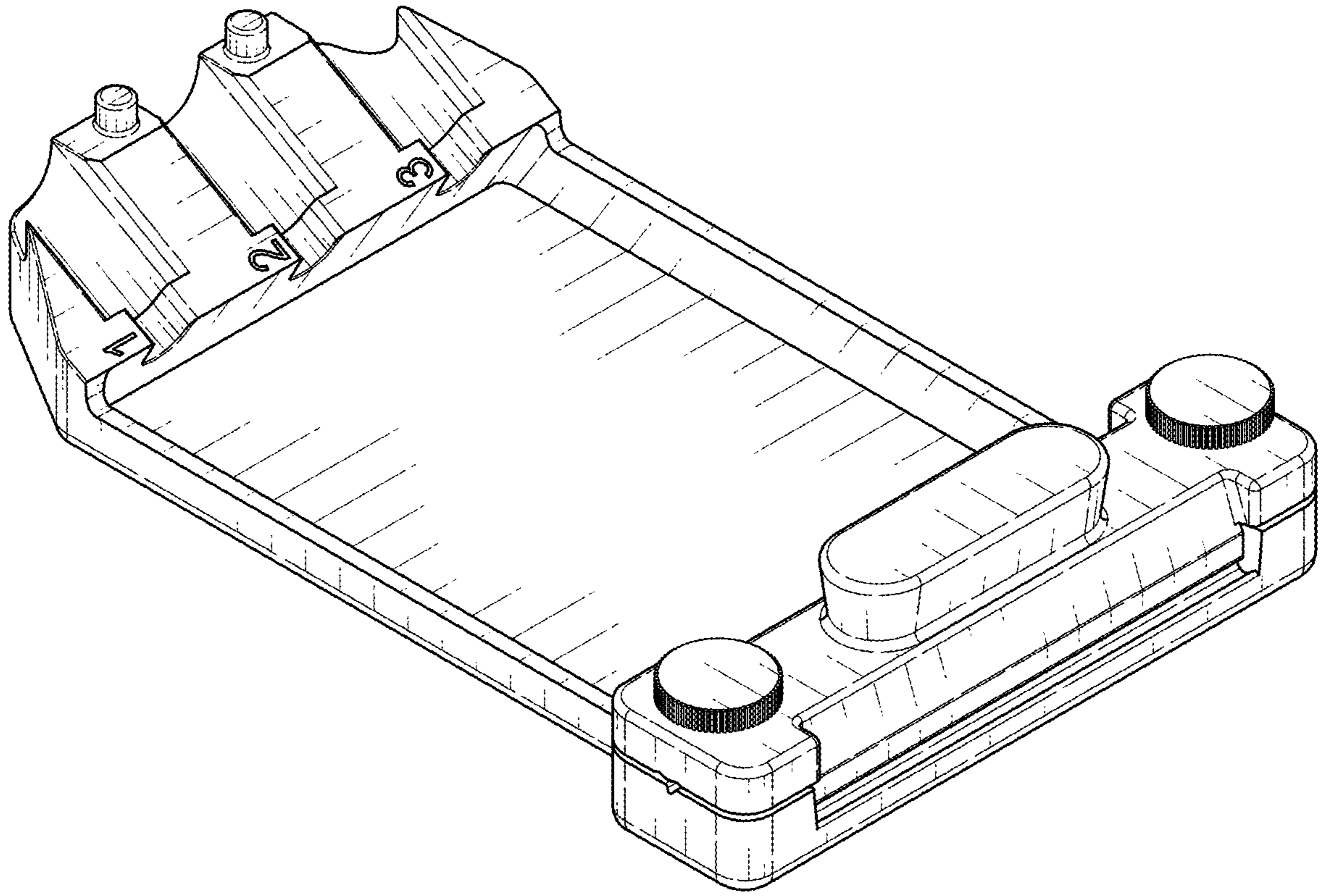


FIG. 5

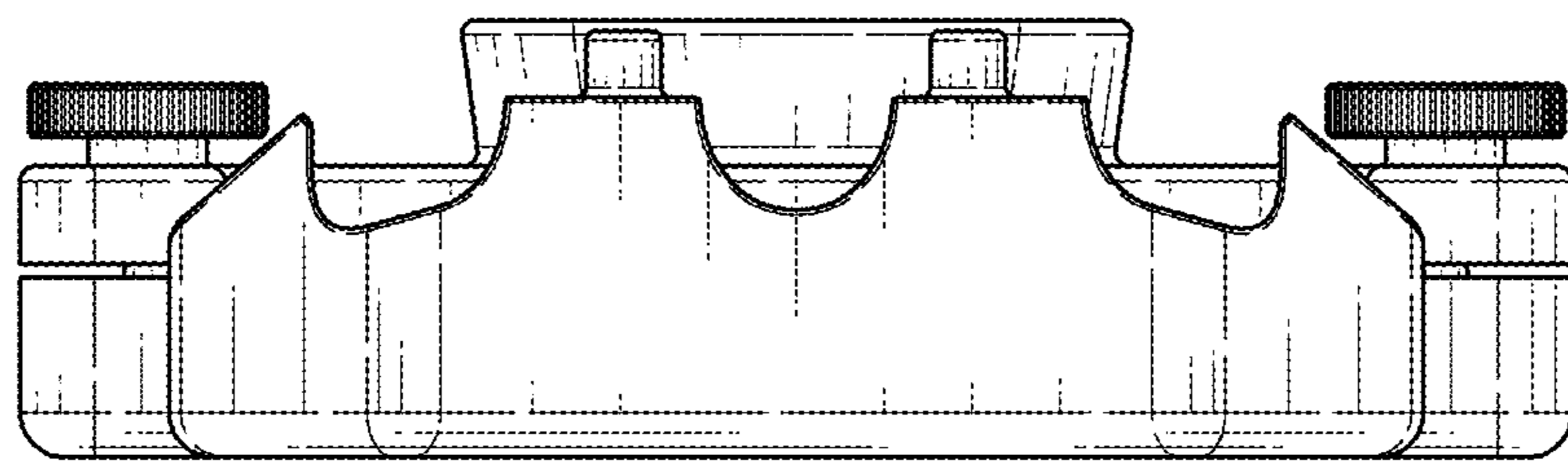


FIG. 6

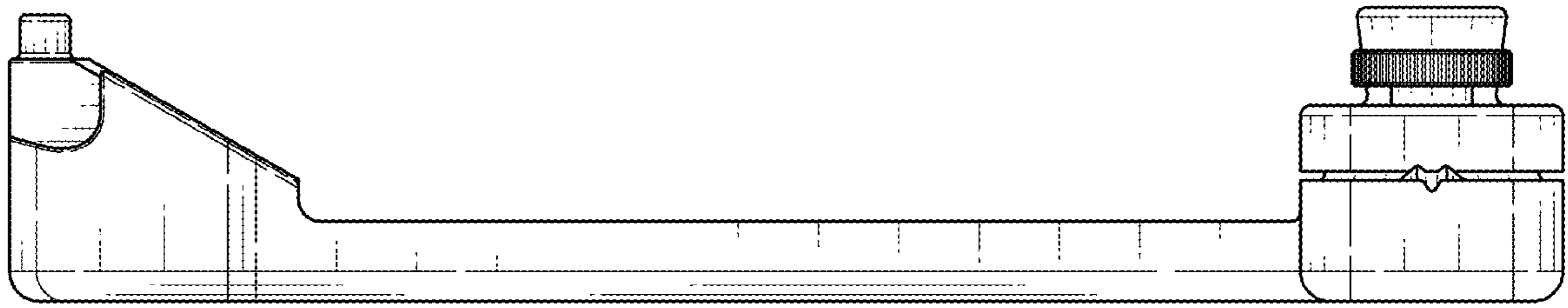


FIG. 7

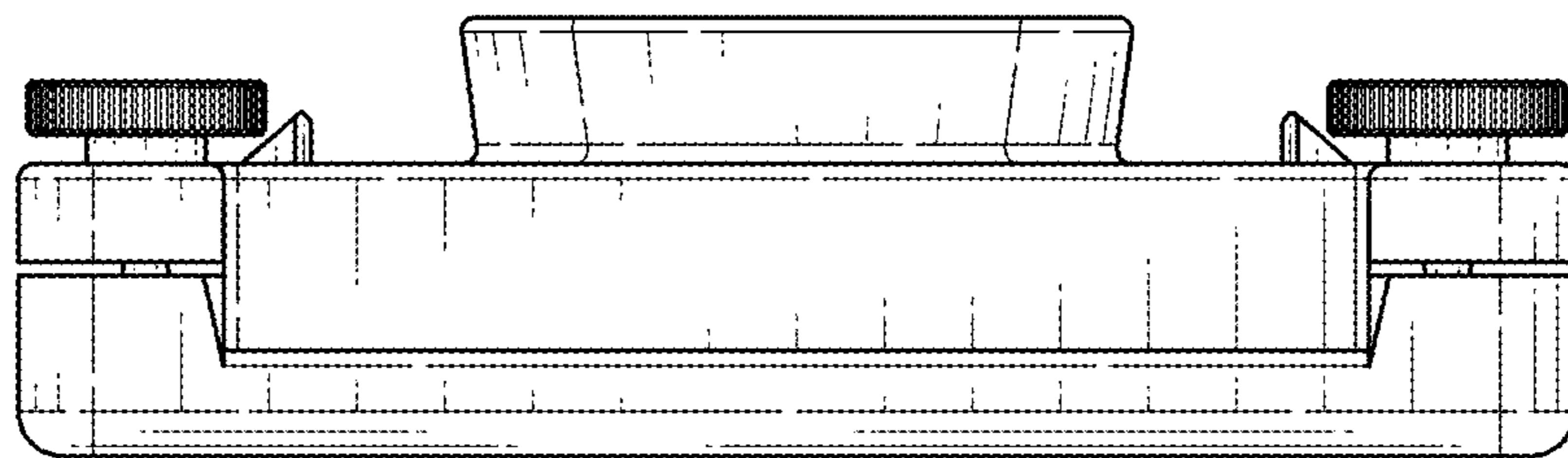


FIG. 8

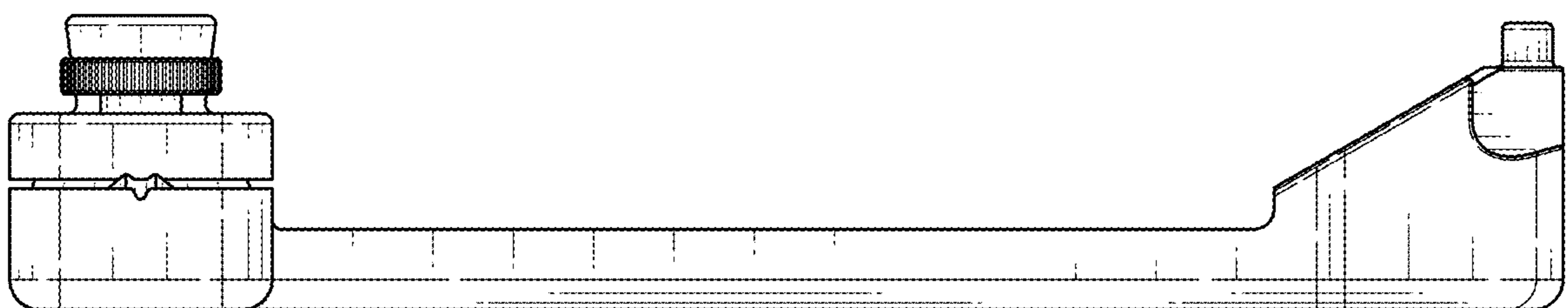


FIG. 9