



US00D987850S

(12) **United States Design Patent** (10) **Patent No.:** **US D987,850 S**
Buse (45) **Date of Patent:** **** May 30, 2023**

- (54) **RECEPTACLE HOLDER**
- (71) Applicant: **GEN-PROBE INCORPORATED**, San Diego, CA (US)
- (72) Inventor: **David A. Buse**, San Diego, CA (US)
- (73) Assignee: **GEN-PROBE INCORPORATED**, San Diego, CA (US)
- (**) Term: **15 Years**
- (21) Appl. No.: **29/755,963**
- (22) Filed: **Oct. 23, 2020**

- D411,308 S 6/1999 Pandey et al.
- D438,632 S 3/2001 Miller
- D446,311 S 8/2001 Wescott, III
- D457,949 S * 5/2002 Krug D24/111
- D476,088 S 6/2003 Wescott, III
- D478,193 S 8/2003 Routh
- D517,597 S * 3/2006 Andoh D18/56
- D630,765 S * 1/2011 Winkenbach D24/224
- D674,112 S 1/2013 Demas et al.
- D685,493 S 7/2013 Sato et al.
- D735,881 S 8/2015 Thomas
- D769,456 S * 10/2016 Dulaff D24/224
- D782,061 S * 3/2017 Luoma, II D24/224
- D800,915 S * 10/2017 Livingston D24/224
- D808,540 S 1/2018 Johns et al.
- D810,959 S 2/2018 Langhoff et al.

(Continued)

Related U.S. Application Data

- (63) Continuation of application No. 29/735,363, filed on May 20, 2020, now Pat. No. Des. 908,240, which is a continuation of application No. 29/698,619, filed on Jul. 18, 2019, now Pat. No. Des. 888,279, which is a continuation of application No. 29/610,161, filed on Jul. 10, 2017, now Pat. No. Des. 855,826.
- (51) **LOC (14) Cl.** **24-02**
- (52) **U.S. Cl.**
USPC **D24/227; D24/224**
- (58) **Field of Classification Search**
USPC D24/107, 108, 121, 224–227, 230, 231, D24/232
CPC G01N 21/90; B01L 3/523
See application file for complete search history.

(56) **References Cited**

U.S. PATENT DOCUMENTS

- 3,469,709 A 9/1969 Wood
- 3,994,594 A 11/1976 Sandrock et al.
- D287,756 S * 1/1987 Szablak D24/131
- D336,514 S * 6/1993 Valerio D24/111
- D342,575 S * 12/1993 Ashihara D24/223
- 5,437,841 A 8/1995 Balmer

FOREIGN PATENT DOCUMENTS

- CN 202030525011.8 * 3/2021

Primary Examiner — Omeed Agilee

(74) *Attorney, Agent, or Firm* — Sterne, Kessler, Goldstein & Fox P.L.L.C.; Charles B. Cappellari

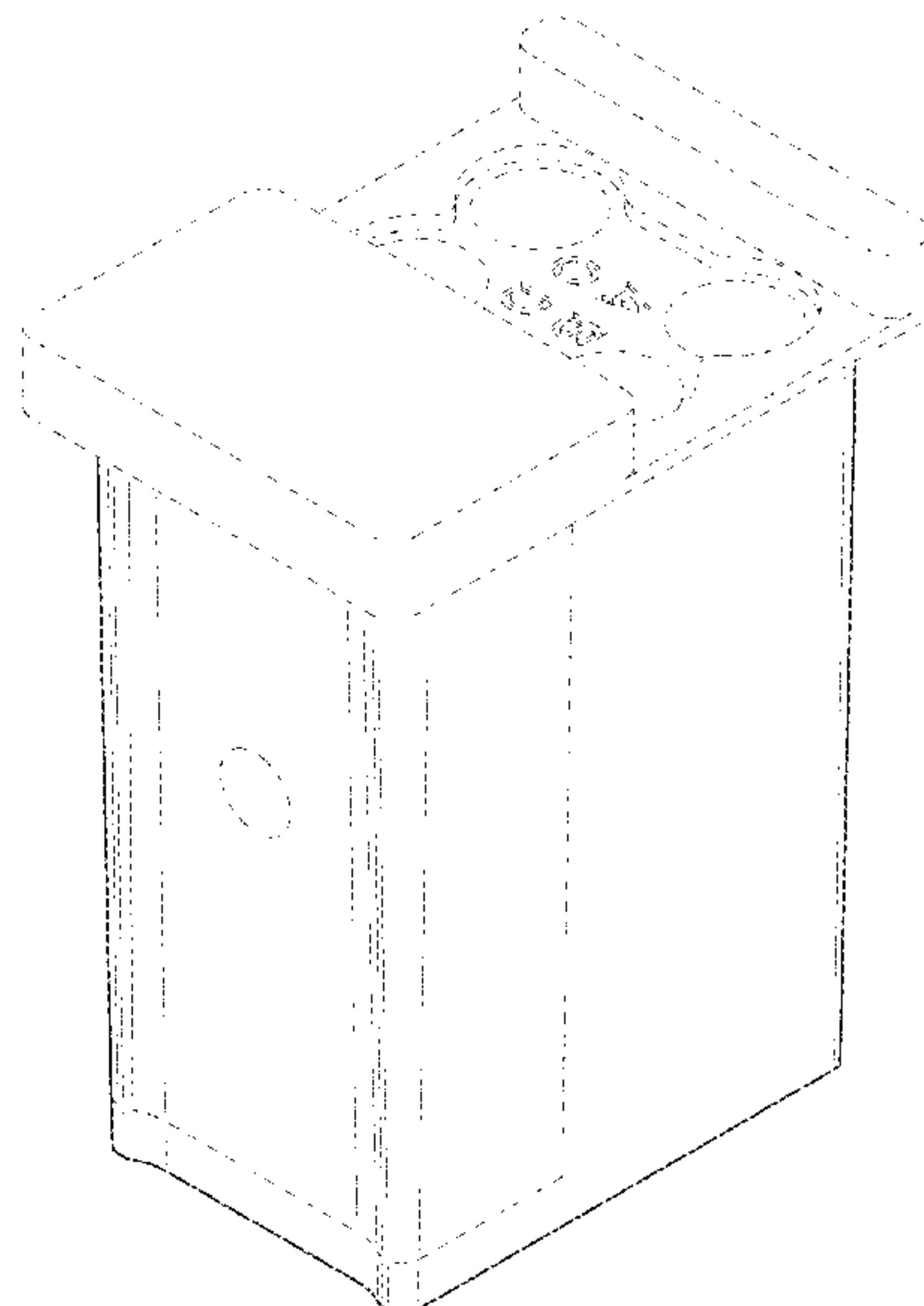
(57) **CLAIM**

The ornamental design for a receptacle holder, as shown and described.

DESCRIPTION

FIG. 1 is a top front perspective view of a receptacle holder showing the claimed design;
 FIG. 2 is a bottom rear perspective view thereof;
 FIG. 3 is a front view thereof;
 FIG. 4 is a rear view thereof;
 FIG. 5 is a left side view thereof;
 FIG. 6 is a right side view thereof;
 FIG. 7 is a top view thereof; and,
 FIG. 8 is a bottom view thereof.
 The broken lines in the figures show portions of the receptacle holder that form no part of the claimed design.

1 Claim, 8 Drawing Sheets



(56)

References Cited

U.S. PATENT DOCUMENTS

D832,456 S * 10/2018 Self D24/224
D849,266 S 5/2019 Higgins
D852,977 S 7/2019 Suchocki et al.
D853,816 S 7/2019 Schaz et al.
D855,826 S 8/2019 Buse
D877,360 S 3/2020 Erb et al.
D888,279 S 6/2020 Buse
10,668,472 B2 6/2020 Knight
D904,639 S * 12/2020 Stoecker D24/224
D913,521 S * 3/2021 Hong D24/224
D958,400 S * 7/2022 Knight B65D 43/0235
D24/224
D961,114 S * 8/2022 Kang D24/231
D970,036 S * 11/2022 Jeffrey-Coker D24/224
2002/0030044 A1 3/2002 Brown

* cited by examiner

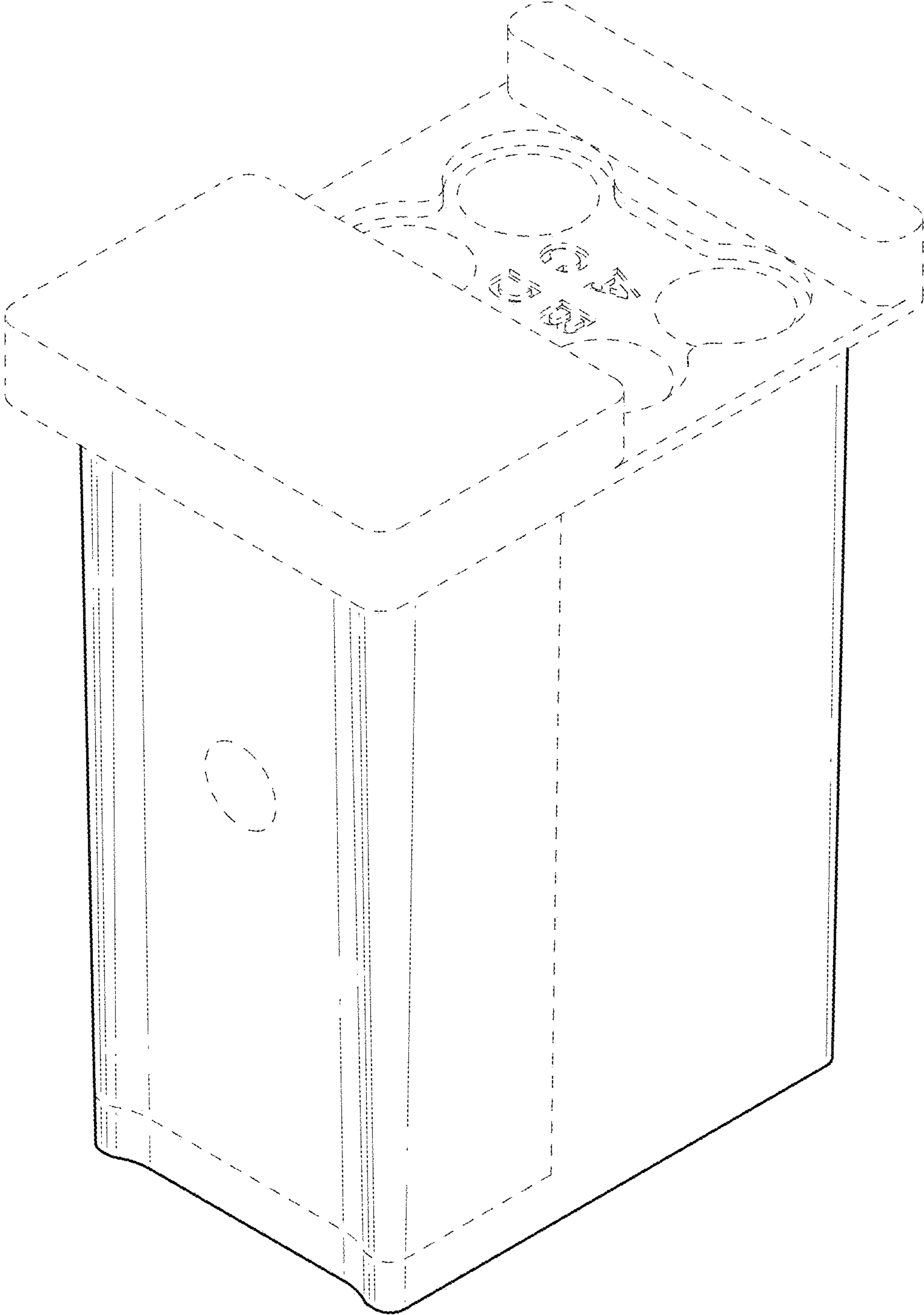


FIG. 1

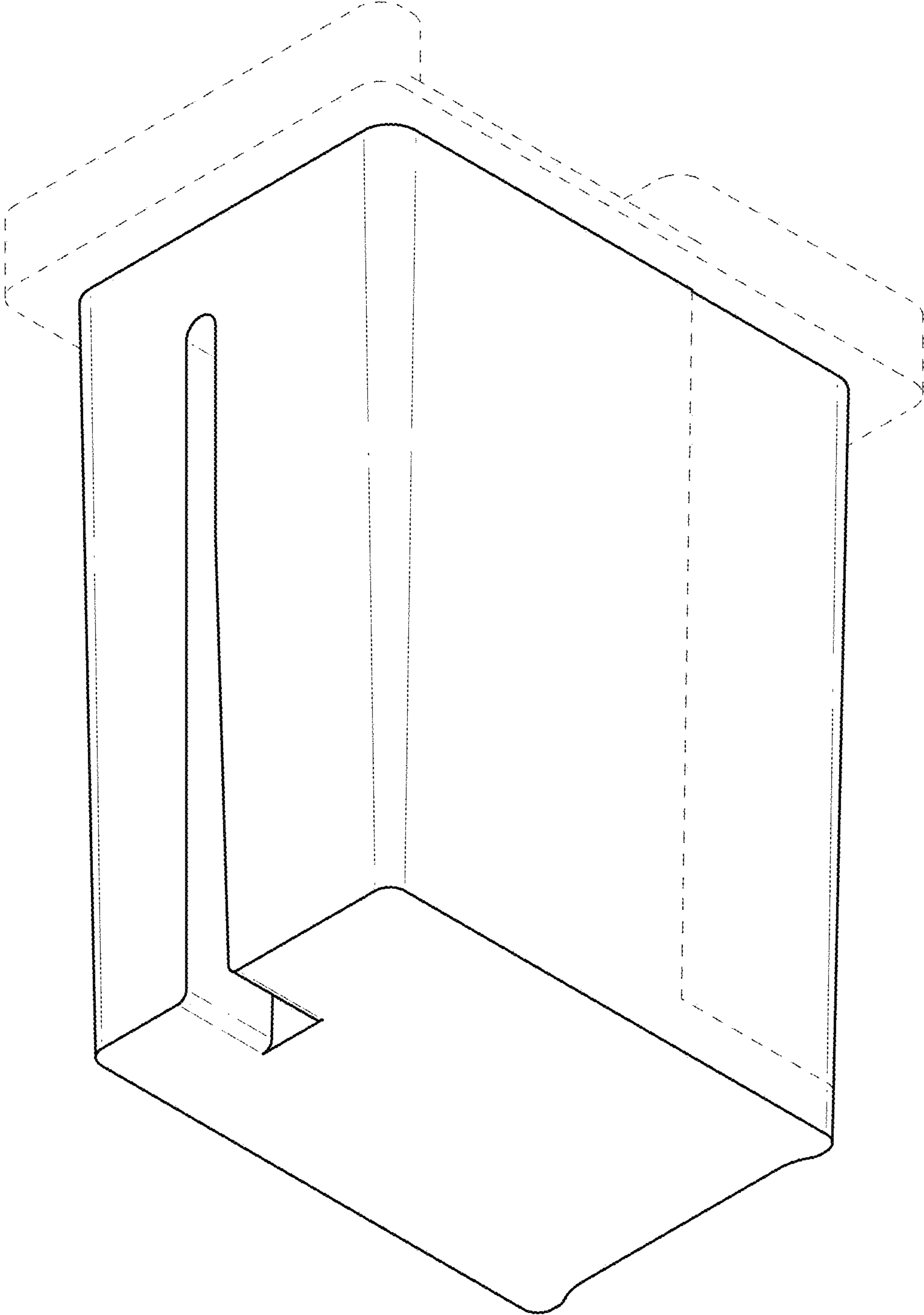


FIG. 2

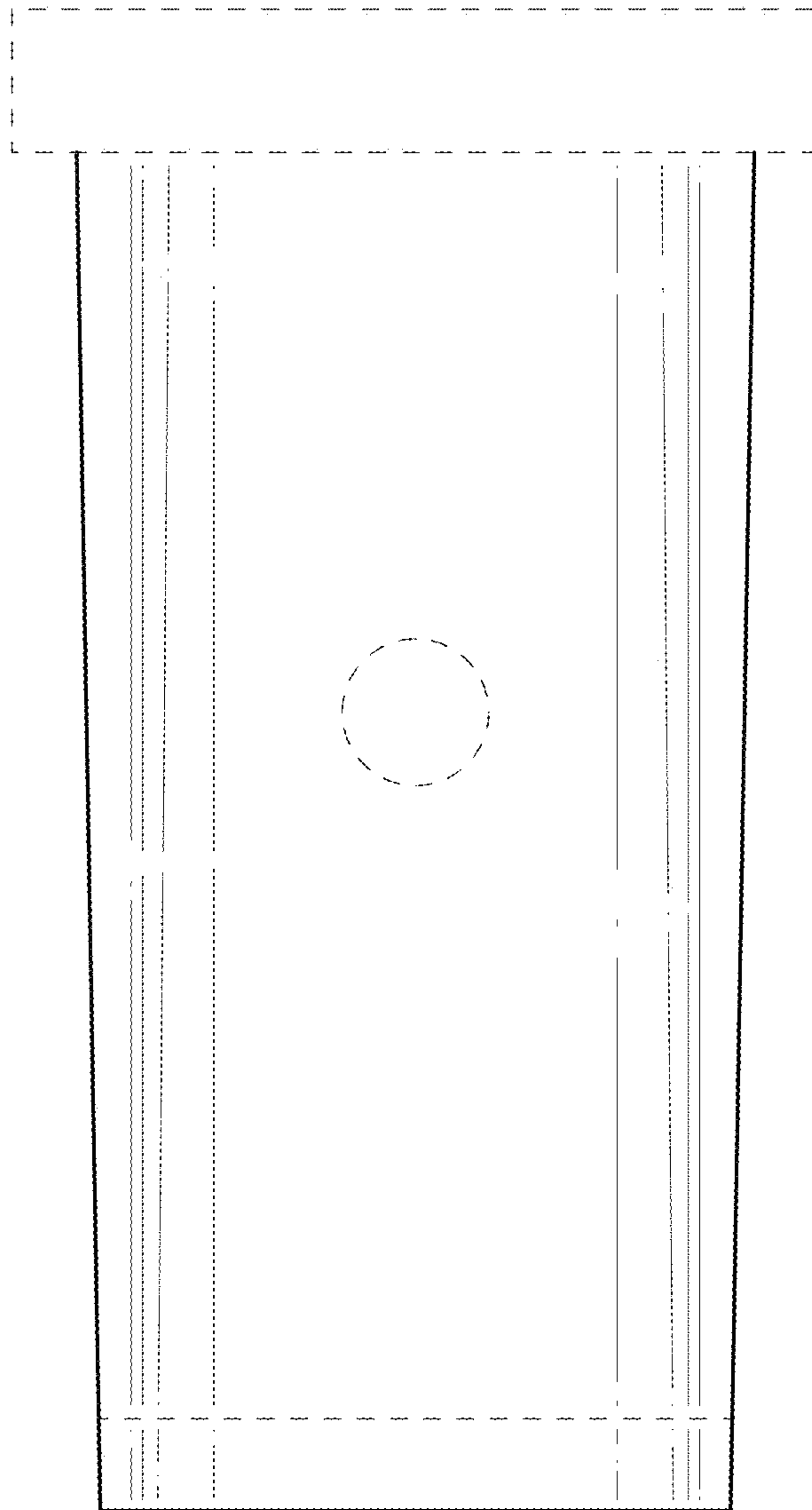


FIG. 3

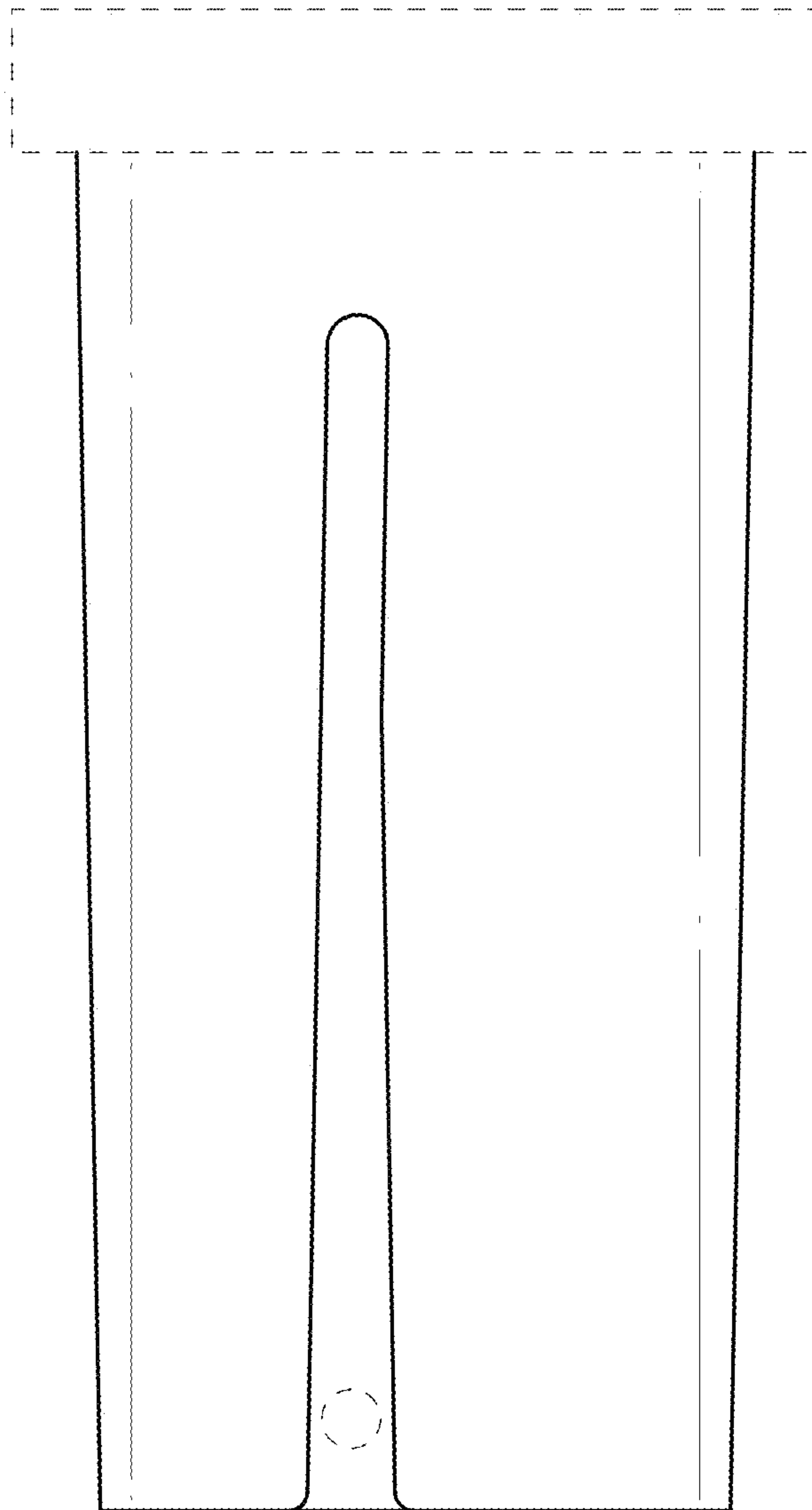


FIG. 4

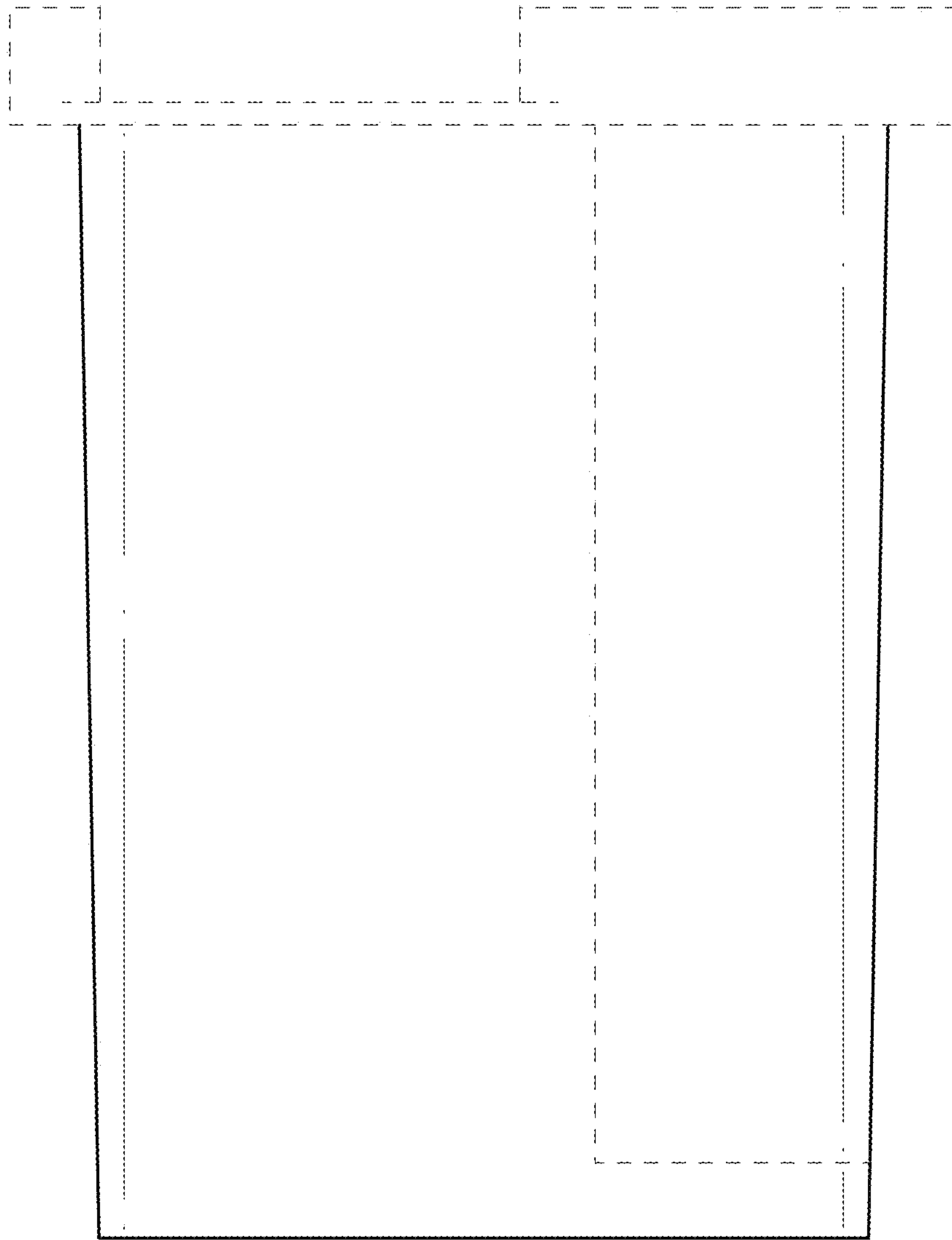


FIG. 5

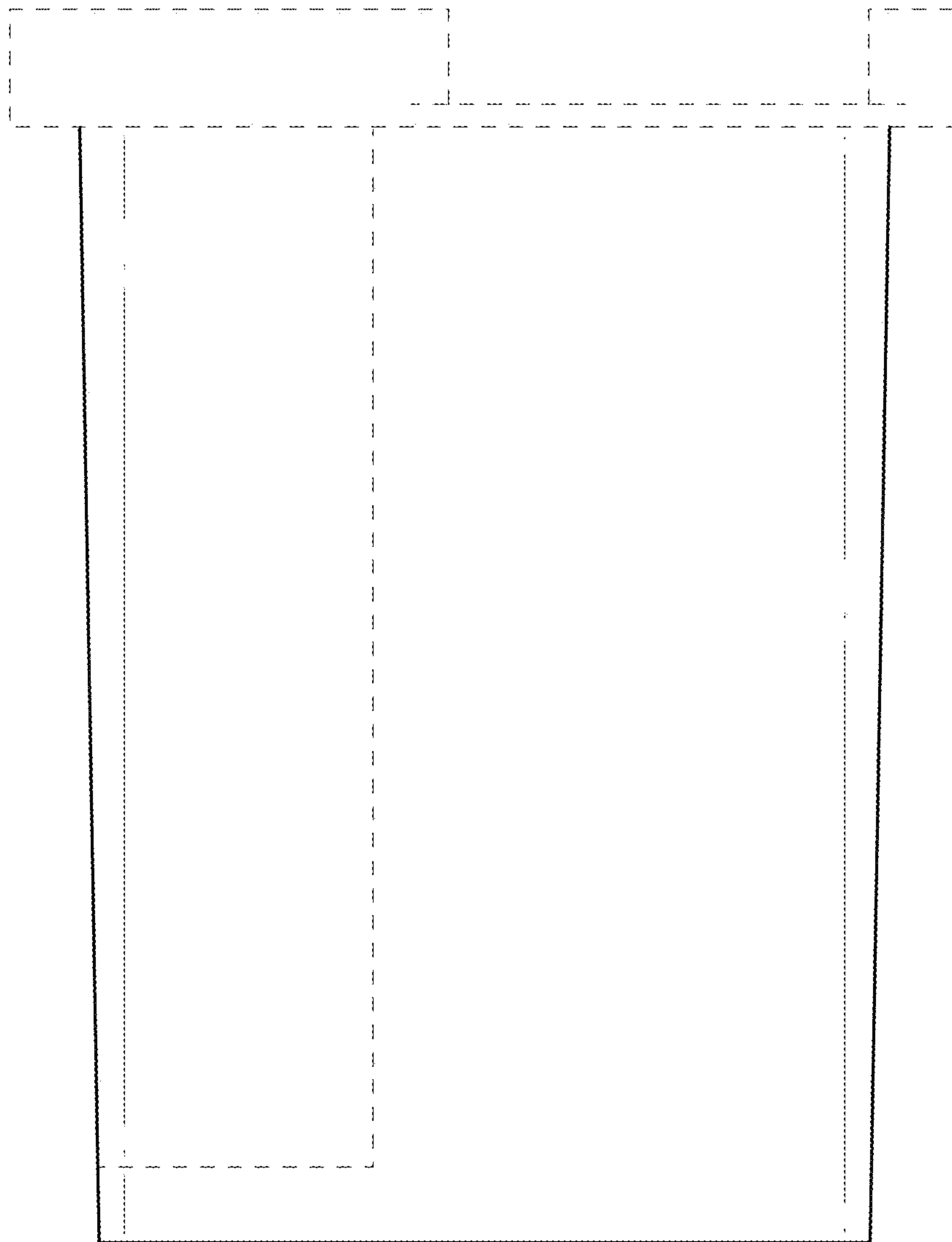


FIG. 6

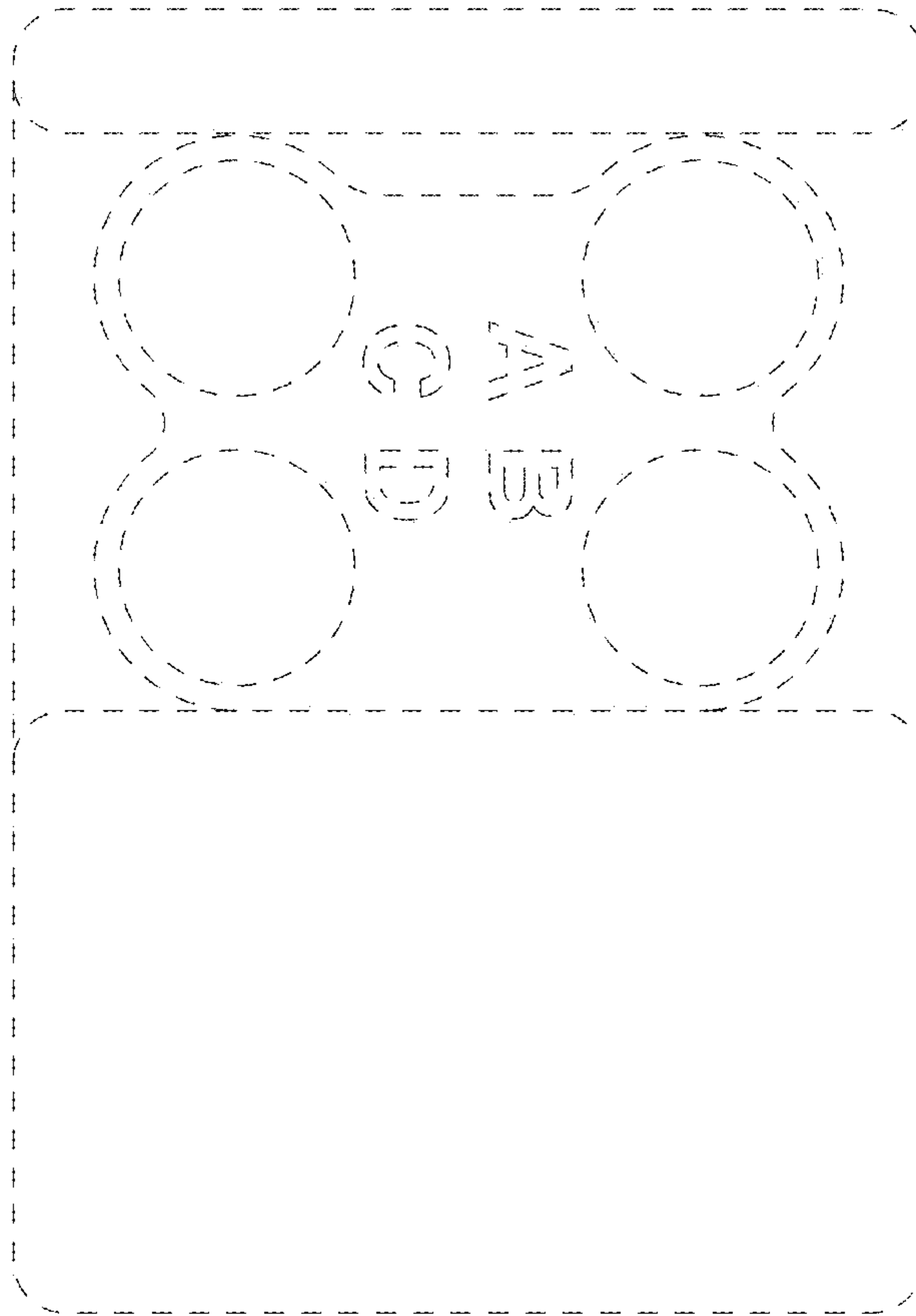


FIG. 7

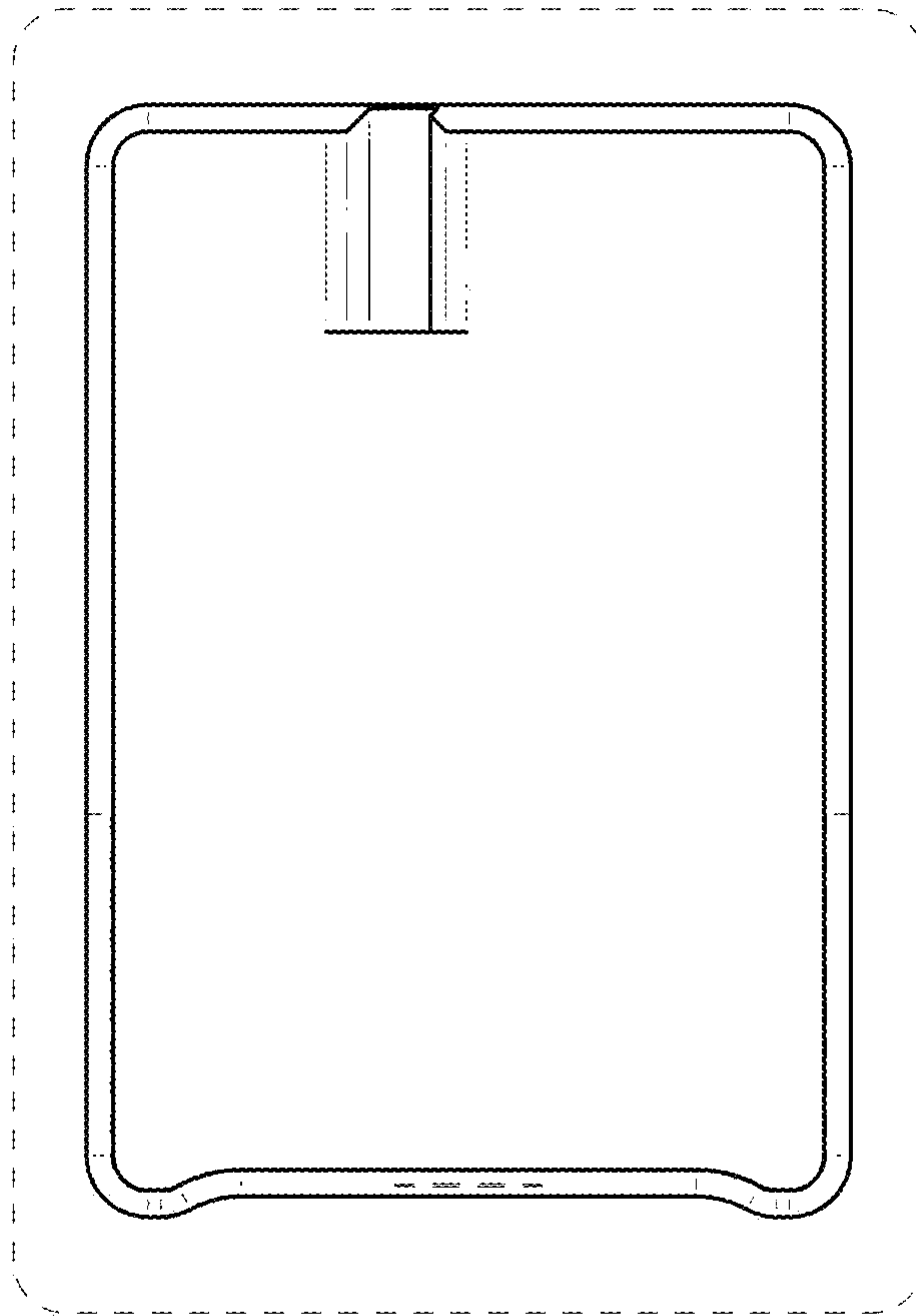


FIG. 8