



US00D987847S

(12) **United States Design Patent** (10) **Patent No.:** **US D987,847 S**
Wersland et al. (45) **Date of Patent:** **** May 30, 2023**

(54) **ATTACHMENT FOR FACIAL TREATMENT DEVICE**

(71) Applicant: **Therabody, Inc.**, Los Angeles, CA (US)

(72) Inventors: **Jason Wersland**, Manhattan Beach, CA (US); **Benjamin Nazarian**, Beverly Hills, CA (US); **Jaime Sanchez Solana**, Los Angeles, CA (US); **Eduardo Merino**, Beverly Hills, CA (US); **Tim Roberts**, Beverly Hills, CA (US)

(73) Assignee: **Therabody, Inc.**, Los Angeles, CA (US)

(**) Term: **15 Years**

(21) Appl. No.: **29/860,473**

(22) Filed: **Nov. 18, 2022**

Related U.S. Application Data

(62) Division of application No. 29/773,164, filed on Mar. 8, 2021.

(51) **LOC (14) Cl.** **24-01**

(52) **U.S. Cl.**
USPC **D24/215**

(58) **Field of Classification Search**
USPC D24/200, 209, 211, 212, 213, 214, 215;
D7/393; D8/307, 310, 378; D9/435, 439
CPC A61H 2015/0014; A61H 23/006; A61H
2015/0042; A61H 7/007
See application file for complete search history.

(56) **References Cited**

U.S. PATENT DOCUMENTS

D285,116 S * 8/1986 Hoff D24/214
D708,754 S 7/2014 Harangvolgyi

D845,500 S 4/2019 Wersland et al.
D849,260 S 5/2019 Wersland et al.
D850,639 S 6/2019 Wersland et al.
D865,987 S * 11/2019 Jacobs D24/214
D890,356 S 7/2020 Jacobs
D890,942 S 7/2020 Wersland et al.
D890,943 S 7/2020 Wersland et al.
D896,393 S 9/2020 Wersland et al.
D904,636 S 12/2020 Delassus
D910,870 S * 2/2021 Marton D24/215
D918,404 S 5/2021 Wersland et al.
D918,405 S 5/2021 Wersland et al.
D927,717 S 8/2021 Wersland et al.
D931,492 S * 9/2021 Li D24/215
D949,366 S 4/2022 Li
D952,878 S 5/2022 Lin

OTHER PUBLICATIONS

Therabody, "TheraFace Pro Percussive Attachment". <https://www.therabody.com/us/en-us/theraface-pro-percussive-attachment-3-pack.html>. 2022.

* cited by examiner

Primary Examiner — Michael A Maharajh

(74) *Attorney, Agent, or Firm* — Sterne, Kessler, Goldstein & Fox P.L.L.C.

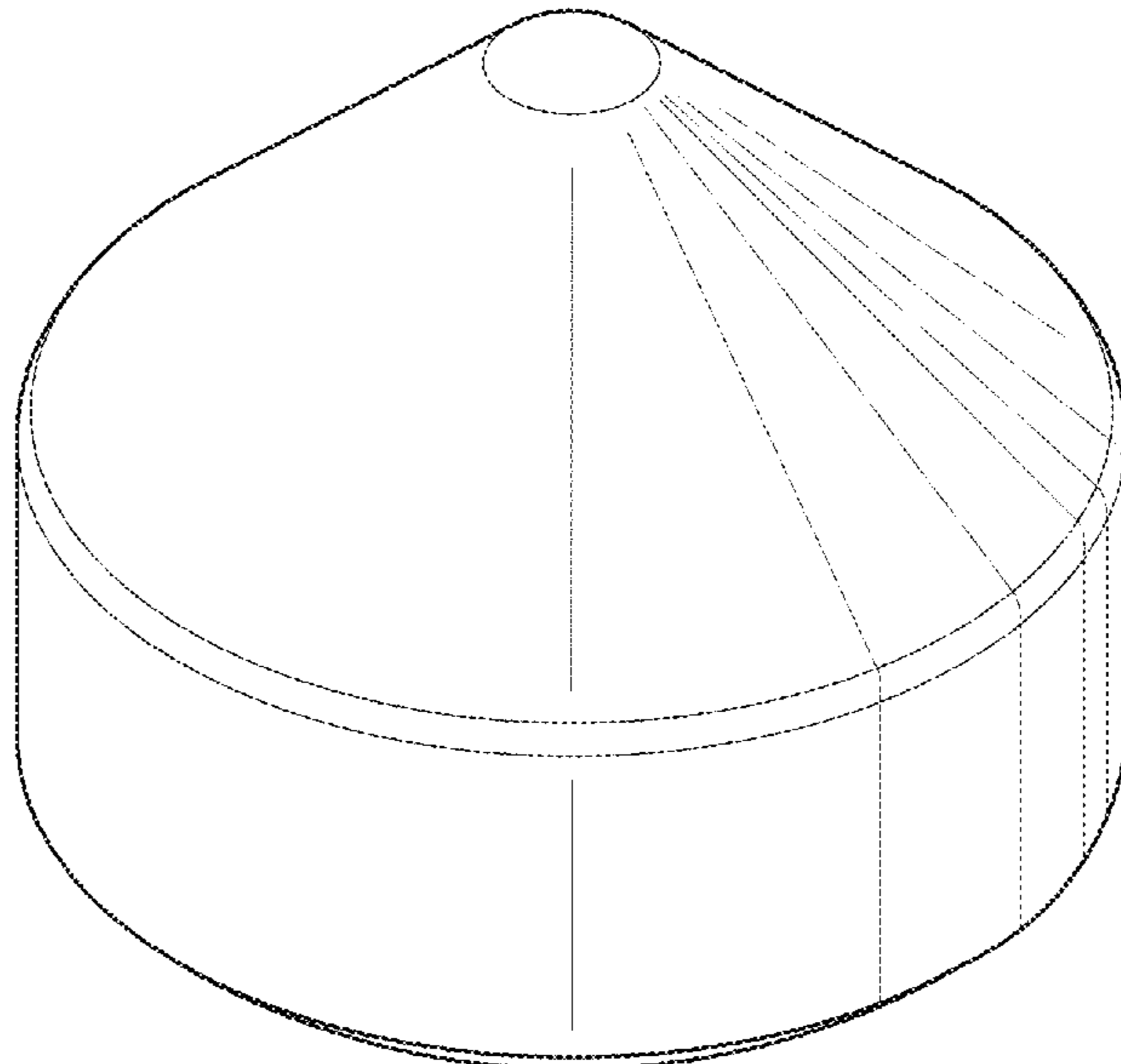
(57) **CLAIM**

The ornamental design for an attachment for facial treatment device, as shown and described.

DESCRIPTION

FIG. 1 is a top perspective view of an attachment for facial treatment device showing the claimed design; FIG. 2 is a front elevational view thereof, the rear, left and right elevational views being mirror images thereof; FIG. 3 is a top plan view thereof; FIG. 4 is a bottom plan view thereof; and, FIG. 5 is a bottom perspective view thereof.

1 Claim, 3 Drawing Sheets



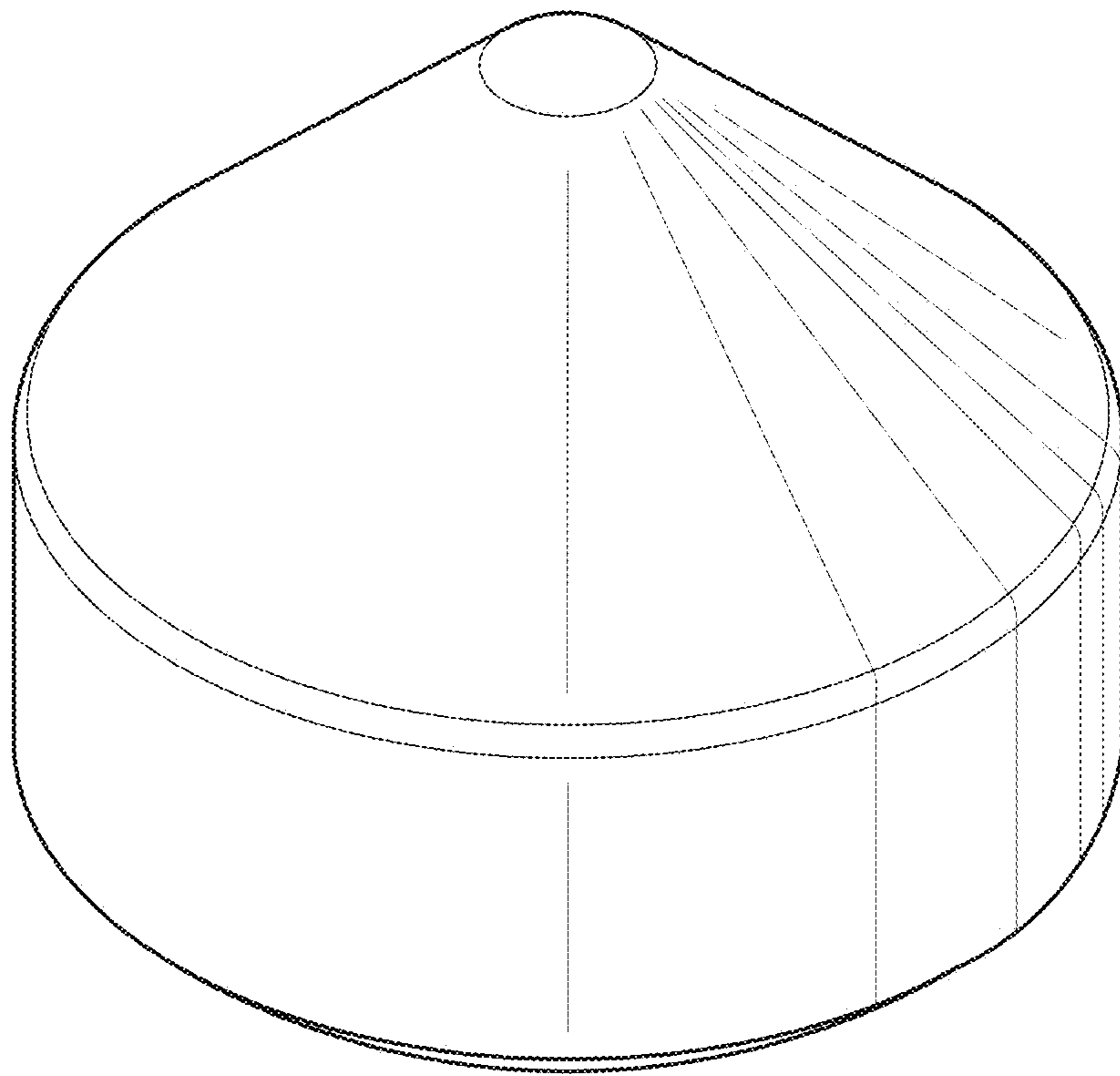


FIG. 1

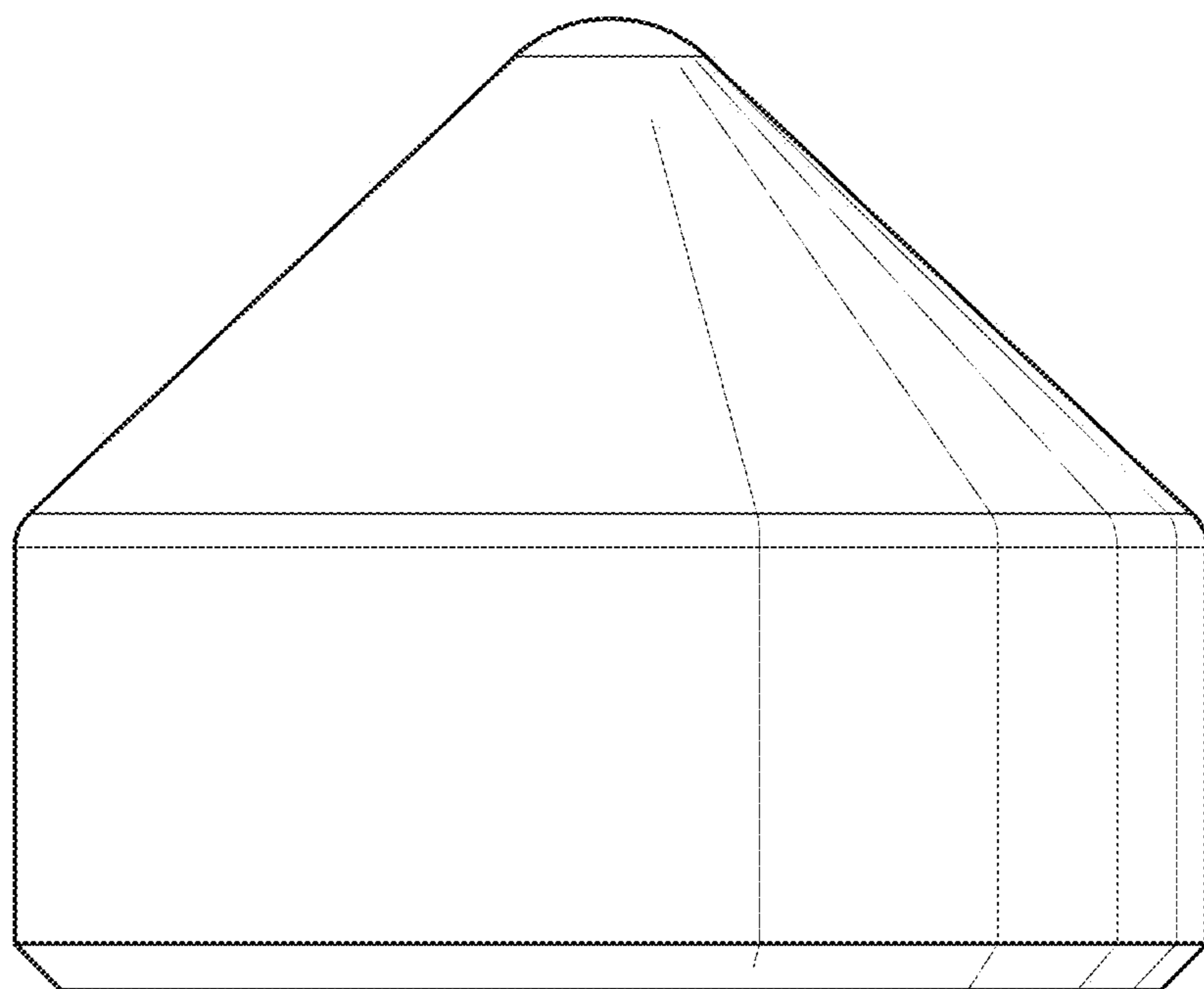


FIG. 2

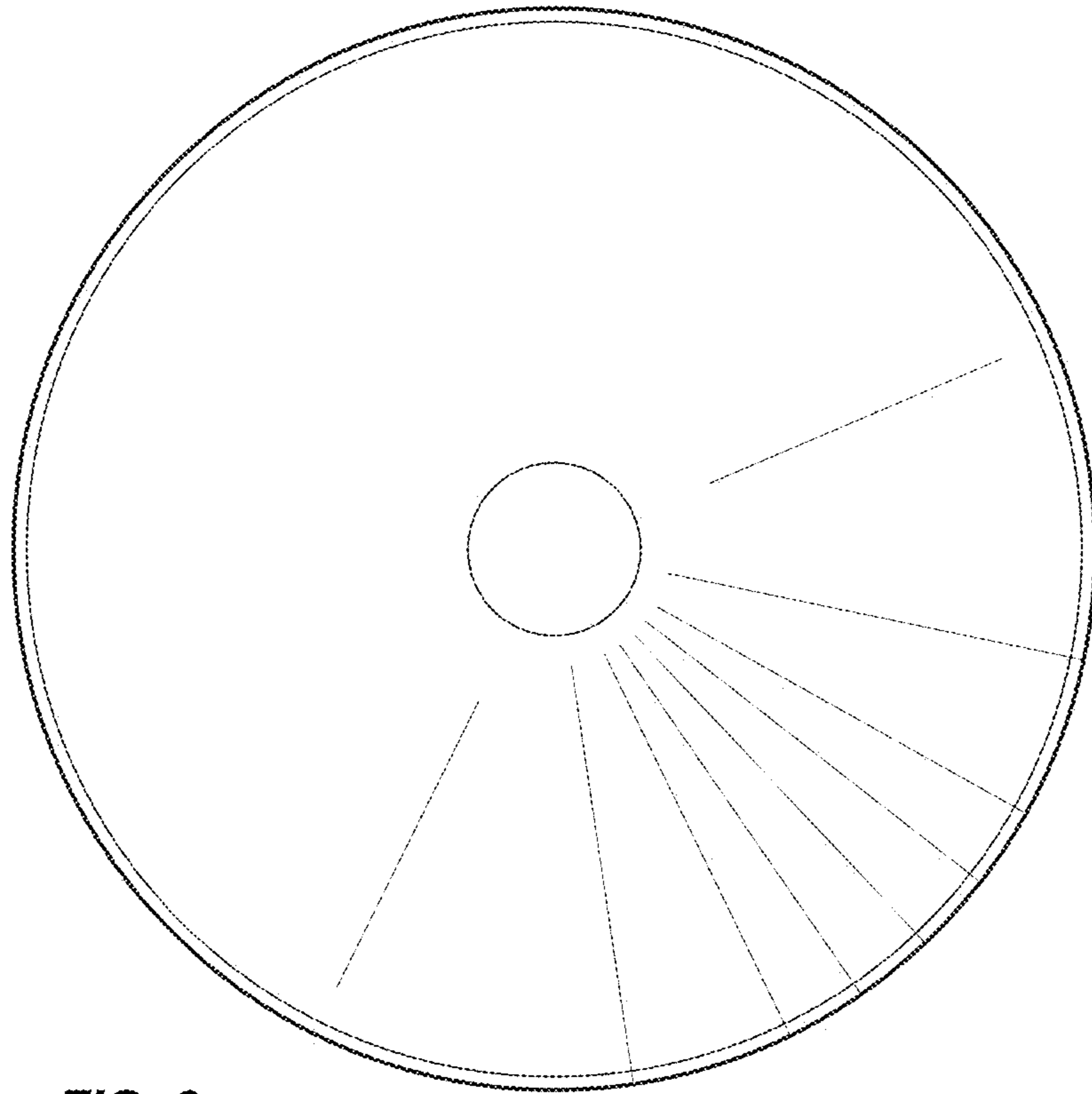


FIG. 3

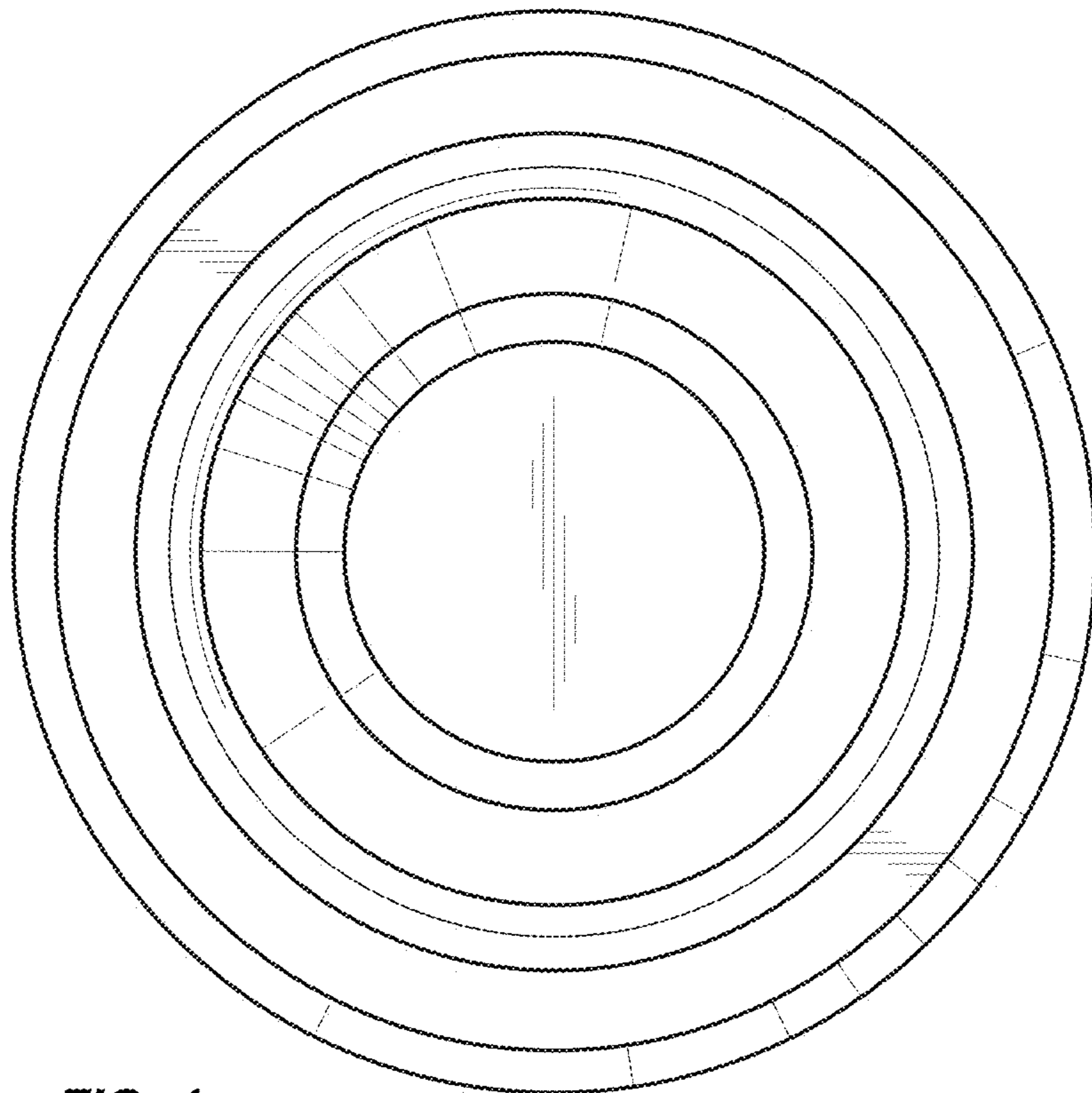


FIG. 4

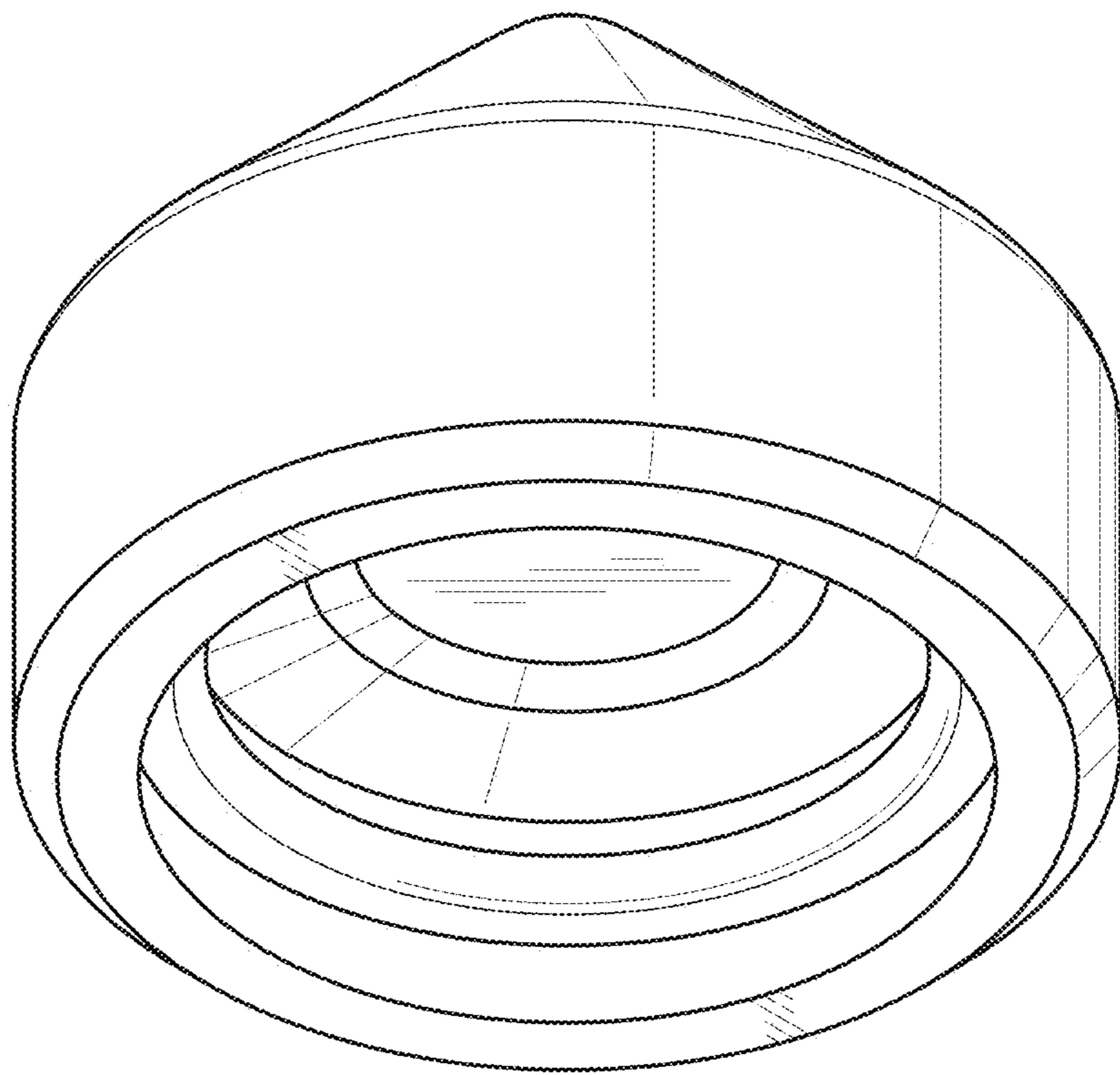


FIG. 5