



US00D987846S

(12) **United States Design Patent** (10) **Patent No.:** **US D987,846 S**
Vierheller et al. (45) **Date of Patent:** **** May 30, 2023**

(54) **MASSAGER GUN ATTACHMENT SHAFT**
(71) Applicant: **PlayMakar Inc.**, Fort Worth, TX (US)
(72) Inventors: **Federico G. Vierheller**, Fort Worth, TX (US); **Michael J. Williams**, Colleyville, TX (US)
(73) Assignee: **PlayMakar Inc.**, Fort Worth, TX (US)

5,085,207 A 2/1992 Fiore
5,134,777 A 8/1992 Meyer
D373,571 S 9/1996 Zambelli
5,656,017 A 8/1997 Keller et al.

(Continued)

FOREIGN PATENT DOCUMENTS

CH 388531 A 2/1965
CN 2694966 Y 4/2005

(Continued)

(**) Term: **15 Years**

OTHER PUBLICATIONS

(21) Appl. No.: **29/813,416**

Playmakar, "PowerUp Charging Station", Earliest Review Date: Aug. 5, 2022. <https://playmakar.com/product/powerup-charging-station/> (Year: 2022).*

(22) Filed: **Oct. 28, 2021**

(Continued)

(51) **LOC (14) Cl.** **24-01**

(52) **U.S. Cl.**

USPC **D24/215**; D24/211

(58) **Field of Classification Search**

USPC D24/200, 209, 211, 212, 213, 214, 215;
D26/113, 154; D8/300, 307, 310, 378;

D9/435, 439; D7/393

CPC A61H 2205/02; A61H 2201/1604; A61H
37/00; A61H 2015/0042; A61H

2201/0119; A61H 23/006

See application file for complete search history.

Primary Examiner — Michael A Maharajh

(74) *Attorney, Agent, or Firm* — Dawn-Marie Bey; Bey & Cotropia PLLC

(57)

CLAIM

The ornamental design for a massager gun attachment shaft, as shown and described.

DESCRIPTION

(56) **References Cited**

U.S. PATENT DOCUMENTS

859,424 A 7/1907 Aschburner
890,822 A 6/1908 Tourtel et al.
1,368,782 A 2/1921 Beach
2,122,556 A 7/1938 Buffalow
2,156,839 A 5/1939 Buffalow
4,088,128 A 5/1978 Mabuchi
4,513,737 A 4/1985 Mabuchi
4,549,535 A 10/1985 Wing
D284,553 S * 7/1986 Collister D9/435
4,726,430 A 2/1988 Hendrikx et al.
4,790,296 A 12/1988 Segal
4,841,955 A 6/1989 Evans et al.

FIG. 1 is a front view of a massage gun attachment shaft showing our new design; and,

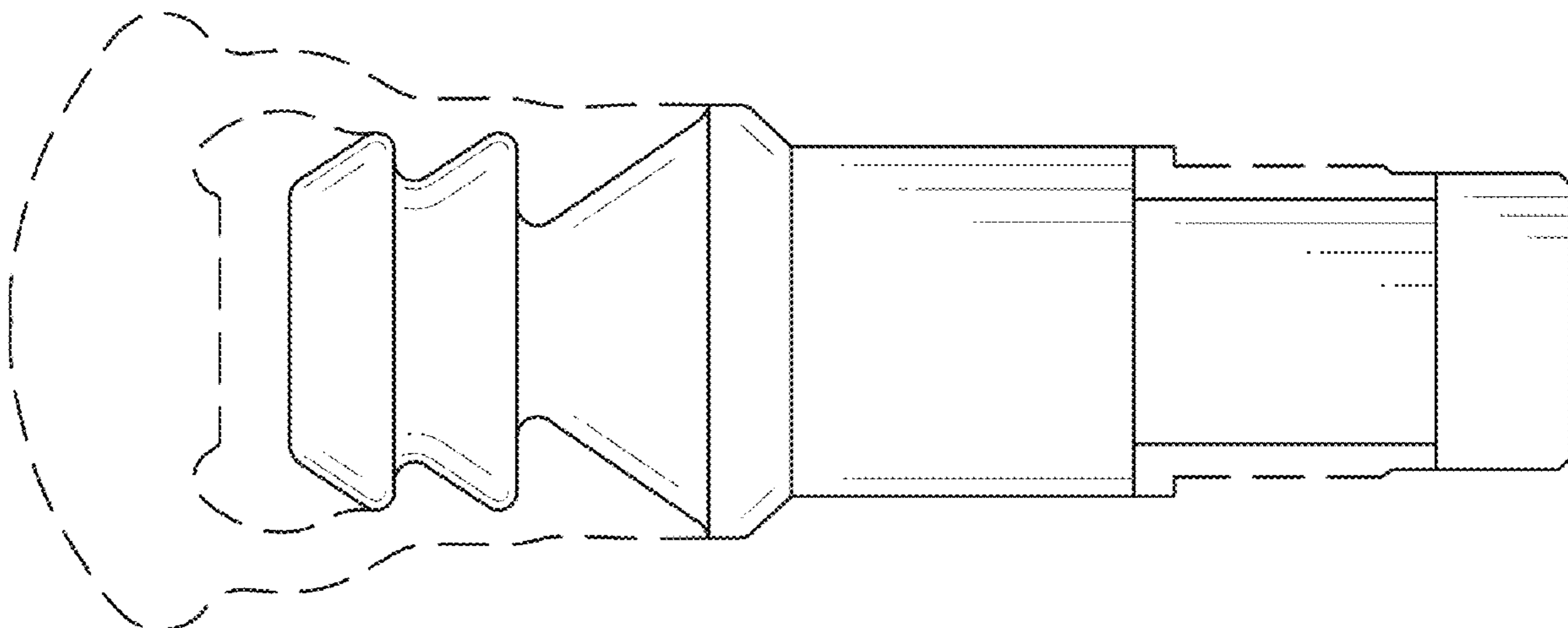
FIG. 2 is a perspective view thereof.

Remaining views are either symmetrical and/or identical to the front view or isometric view or do not show design details, and thus are omitted.

The shaft fitting component shown in broken lines in FIG. 1 are for the purpose of illustrating environmental structure, which forms no part of the claimed design.

The broken lines shown in FIG. 2 are for the purpose of illustrating portions of the massage gun attachment shaft, which form no part of the claimed design.

1 Claim, 2 Drawing Sheets



(56)

References Cited

U.S. PATENT DOCUMENTS

5,690,608 A	11/1997	Watanabe et al.	D938,056 S	12/2021	Wu	
6,228,042 B1	5/2001	Dungan	D940,892 S	1/2022	Shen	
6,357,125 B1	3/2002	Feldmann et al.	D941,145 S	1/2022	Wang	
6,616,621 B1	9/2003	Kohr	11,253,423 B1	2/2022	Williams	
6,682,496 B1	1/2004	Pivaroff	D949,365 S *	4/2022	Li	D24/211
6,758,826 B2	7/2004	Luetzgen et al.	D949,366 S *	4/2022	Li	D24/211
D525,115 S *	7/2006	Harwanko	D949,384 S	4/2022	Liang	
7,122,013 B2	10/2006	Liu	D949,417 S *	4/2022	Khubani	D24/215
7,144,417 B2	12/2006	Colloca et al.	D949,418 S *	4/2022	Khubani	D24/215
D544,102 S	6/2007	Pivaroff	D952,878 S *	5/2022	Lin	D24/211
D578,080 S	10/2008	Whang	D958,654 S	7/2022	Lupberger	
7,503,923 B2	3/2009	Miller	D959,268 S	8/2022	Hume	
D607,852 S	1/2010	Riede	D961,107 S	8/2022	Tian	
D632,265 S	2/2011	Choi	D961,795 S *	8/2022	Zhao	D24/215
D639,784 S	6/2011	Murayama	D967,971 S	10/2022	Jinfeng	
D649,657 S	11/2011	Petersen et al.	11,478,400 B1	10/2022	Marton	
8,083,699 B2	12/2011	Colloca et al.	2002/0082532 A1	6/2002	Tucek et al.	
D662,398 S	6/2012	Jahnke	2002/0107459 A1	8/2002	Chang	
D679,576 S	4/2013	Paul	2003/0009116 A1	1/2003	Luetzgen	
8,826,547 B2	9/2014	Oberheim	2003/0009118 A1	1/2003	Sabo et al.	
8,968,221 B2	3/2015	Pryor et al.	2003/0028134 A1	2/2003	Lev	
D738,355 S	9/2015	Smith	2003/0040689 A1	2/2003	Chan et al.	
D751,538 S	3/2016	Koehler	2003/0101847 A1	6/2003	Harimoto	
D756,333 S	5/2016	Smith	2003/0195443 A1	10/2003	Miller	
9,526,671 B2	12/2016	Weck et al.	2005/0109137 A1	5/2005	Hartmann	
D781,674 S	3/2017	Bullard	2005/0113870 A1	5/2005	Miller	
9,889,066 B2	2/2018	Danby et al.	2005/0131461 A1	6/2005	Tucek et al.	
D826,205 S	8/2018	Langhammer	2006/0025710 A1	2/2006	Schulz et al.	
D837,395 S	1/2019	Gan	2006/0293711 A1	12/2006	Keller et al.	
D840,355 S	2/2019	Simon	2008/0014011 A1	1/2008	Rossen	
D848,398 S	5/2019	Huang	2008/0183252 A1	7/2008	Khen	
D849,260 S	5/2019	Wersland et al.	2009/0270915 A1	10/2009	Tsai et al.	
D850,639 S	6/2019	Wersland et al.	2010/0137907 A1	6/2010	Tsai	
D850,640 S	6/2019	Wersland	2014/0031866 A1	1/2014	Fuhr et al.	
10,314,762 B1	6/2019	Marton et al.	2015/0005682 A1	1/2015	Danby et al.	
10,357,425 B2	7/2019	Wersland et al.	2015/0107383 A1	4/2015	Duesselberg et al.	
D855,822 S	8/2019	Marton	2015/0182415 A1	7/2015	Olkowski et al.	
D857,650 S	8/2019	Hardi	2016/0354277 A1	12/2016	Fima	
D859,680 S	9/2019	Wersland	2016/0367425 A1	12/2016	Wersland	
D867,342 S	11/2019	Afshar Bakooshli	2017/0304145 A1	10/2017	Pepe	
10,485,731 B2	11/2019	Babiuk	2018/0008512 A1	1/2018	Goldstein	
10,492,984 B2	12/2019	Marton et al.	2018/0168913 A1	6/2018	Sedic	
D873,432 S	1/2020	Duan	2018/0200141 A1	7/2018	Wersland et al.	
D874,015 S	1/2020	Marton	2018/0263845 A1	9/2018	Wersland et al.	
10,561,574 B1	2/2020	Marton et al.	2018/0320732 A1	11/2018	Kim	
D886,317 S	6/2020	Marton	2018/0353369 A1	12/2018	Newns et al.	
D890,353 S	7/2020	Nazarian	2019/0015294 A1	1/2019	Nazarian et al.	
D890,942 S	7/2020	Wersland	2019/0175434 A1	6/2019	Zhang	
D890,943 S	7/2020	Wersland	2019/0209424 A1	7/2019	Wersland et al.	
10,702,448 B2	7/2020	Wersland et al.	2019/0232403 A1	8/2019	Candelaria	
D893,738 S	8/2020	Zhuang	2019/0254921 A1	8/2019	Marton et al.	
D895,133 S	9/2020	Xu	2019/0350793 A1	11/2019	Wersland et al.	
D895,135 S	9/2020	Xu	2020/0046604 A1	2/2020	Danby et al.	
D895,402 S	9/2020	Hung	2020/0085675 A1	3/2020	Lee et al.	
D895,828 S *	9/2020	Marshall	2020/0110526 A1	4/2020	Ano et al.	
D895,831 S	9/2020	Chen	2020/0170871 A1	6/2020	Lukinuk et al.	
D896,393 S	9/2020	Wersland	2020/0214930 A1	7/2020	Wersland et al.	
D898,933 S	10/2020	Xu	2020/0261307 A1	8/2020	Wersland et al.	
D905,863 S	12/2020	Lin	2020/0261310 A1	8/2020	Wersland et al.	
D906,533 S	12/2020	Xu	2020/0268594 A1	8/2020	Pepe	
D907,792 S	1/2021	Marton et al.	2020/0276079 A1	9/2020	Cheng	
D908,235 S	1/2021	Marton et al.	2020/0289365 A1	9/2020	Wersland et al.	
D910,870 S	2/2021	Marton et al.	2020/0330321 A1	10/2020	Wersland et al.	
D917,060 S	4/2021	Hu	2020/0352820 A1	11/2020	Nazarian et al.	
D918,404 S	5/2021	Wersland	2020/0352821 A1	11/2020	Wersland et al.	
D918,405 S	5/2021	Wersland	2020/0390644 A1	12/2020	Yang	
D918,408 S	5/2021	Huang	2020/0393026 A1	12/2020	Chang	
10,993,874 B1	5/2021	Marton et al.	2020/0405574 A1	12/2020	Wersland et al.	
D920,944 S	6/2021	Paterson	2021/0003168 A1	1/2021	Cong	
D924,422 S	7/2021	Huang	2021/0022951 A1	1/2021	Hu	
D927,716 S	8/2021	Wersland	2021/0022955 A1	1/2021	Wersland	
D927,717 S	8/2021	Wersland	2021/0059898 A1	3/2021	Wersland et al.	
D931,492 S *	9/2021	Li	2021/0113421 A1	4/2021	Chuang	
D935,403 S	11/2021	Wu	2021/0128402 A1	5/2021	Dai et al.	
D935,404 S	11/2021	Wu	2021/0137779 A1	5/2021	Ayu et al.	
			2021/0196562 A1	7/2021	Zhao	
			2021/0244610 A1	8/2021	Wersland et al.	
			2021/0322257 A1	10/2021	Lee	
			2021/0369549 A1	12/2021	Almodovar	

(56)

References Cited

U.S. PATENT DOCUMENTS

2022/0096320 A1 3/2022 Lu
 2022/0154764 A1 5/2022 Yamashita
 2022/0168175 A1 6/2022 Tang
 2022/0168177 A1 6/2022 Vierheller
 2022/0211575 A1 7/2022 Wersland

FOREIGN PATENT DOCUMENTS

CN 202536467 U 11/2012
 CN 205268525 U 6/2016
 CN 206381369 U 8/2017
 CN 208130157 U 11/2018
 CN 306178047 11/2020
 CN 212749648 U 3/2021
 CN 2020305792978 3/2021
 CN 2021302494257 8/2021
 KR 102249761 B1 5/2021
 TW M511855 U 11/2015
 TW M543692 U 6/2017
 TW D207405 9/2020
 WO WO2022149067 7/2022

OTHER PUBLICATIONS

Youtube, “PlayMakar PowerUp Charging Station for MVP Percussion Massage Gun”, Published Date: Aug. 12, 2022. <https://www.youtube.com/watch?v=FFKPILkgAs8&t=1s> (Year: 2022).*

English translation for CH388531, espacenet.com, translated on Jul. 8, 2021.

English translation for CN 212749648 from Espacenet on Jul. 18, 2022 (year 2021).

English translation for KR 102249761, translated by espacenet.com, translated on Oct. 31, 2022.

Youtube,, “ShoDuo Absorption & Reverberation Massage Head”, Published Date: Sep. 26, 2022. <https://www.youtube.com/watch?v=OW6z6eYNo4o> (Year: 2022).

amazon.com; Massage Gun Massage Gun—Massage Pulse Mini Muscle Massage Gun; Apr. 28, 2022; 2 pgs.

AliExpress.com; Portable Massage Gun Deep Tissue Percussion Muscle Massager For Pain; retrieved on Nov. 22, 2022; 1 pg.

amazon.com; Mebak 3 Massage Gun Muscle Massager Electric Hand Massager, May 22, 2020; 3 pgs.

Flyby—Massage gun. Date: Aug. 11, 2020. [online]. [Site visited Dec. 1, 2022]. Available from Internet URL: www.youtube.com/watch?v=GyvNuif8Bc (Year: 2020).

Massage guns. (Design—© Questel) orbit.com. [Online PDF compilation of references] 50 pgs. Print Dates Range Apr. 28, 2020-Mar. 11, 2022 [Retrieved Dec. 2, 2022] <https://www.orbit.com/export/UCZAH96B/pdf4/e6b9a3b3-195c-4fbe-87b2-0eaaf315609e-165234.pdf> (Year: 2022).

HP Race Development—Titanium connecting rods. Date: Apr. 30, 2021. [online]. [Site visited Dec. 15, 2022]. Available from Internet URL: <https://www.hpracedevelopment.com/news/titanium-connecting-rods-now-available-all-current-250f-models/> (Year: 2021).

* cited by examiner

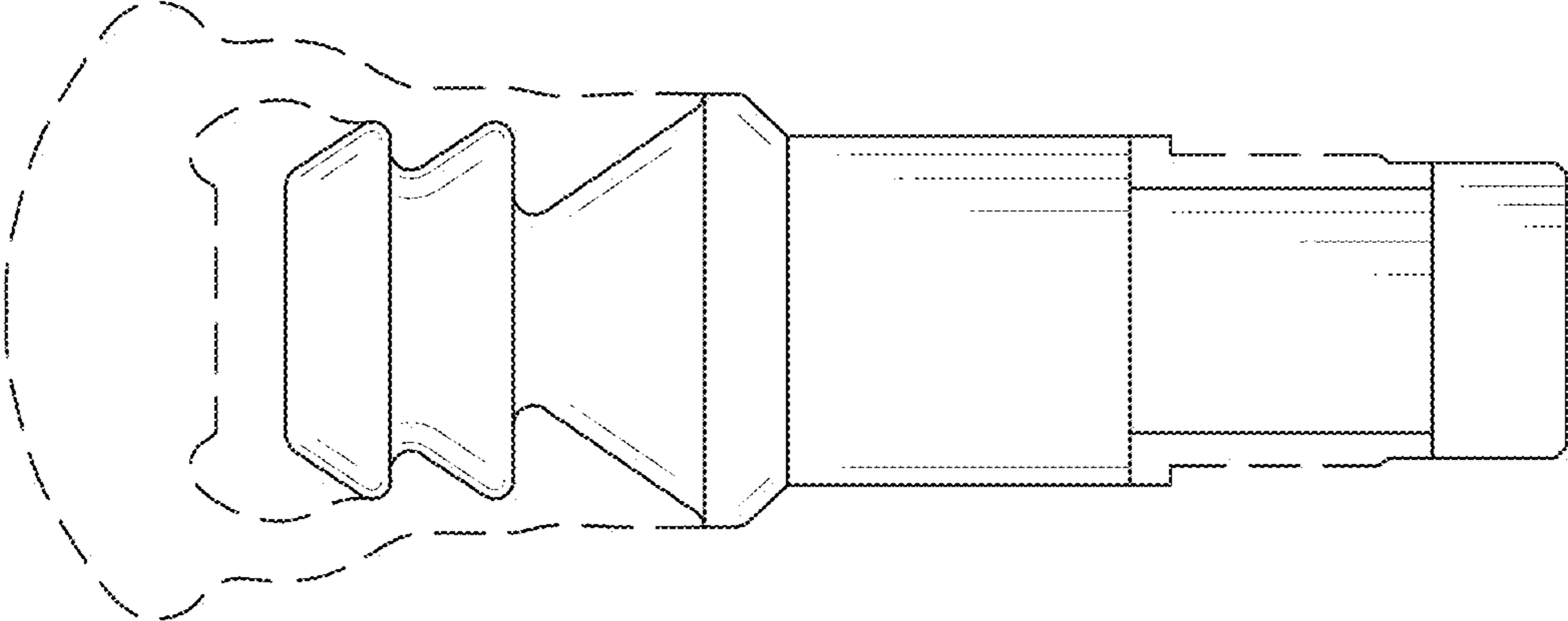


FIG. 1

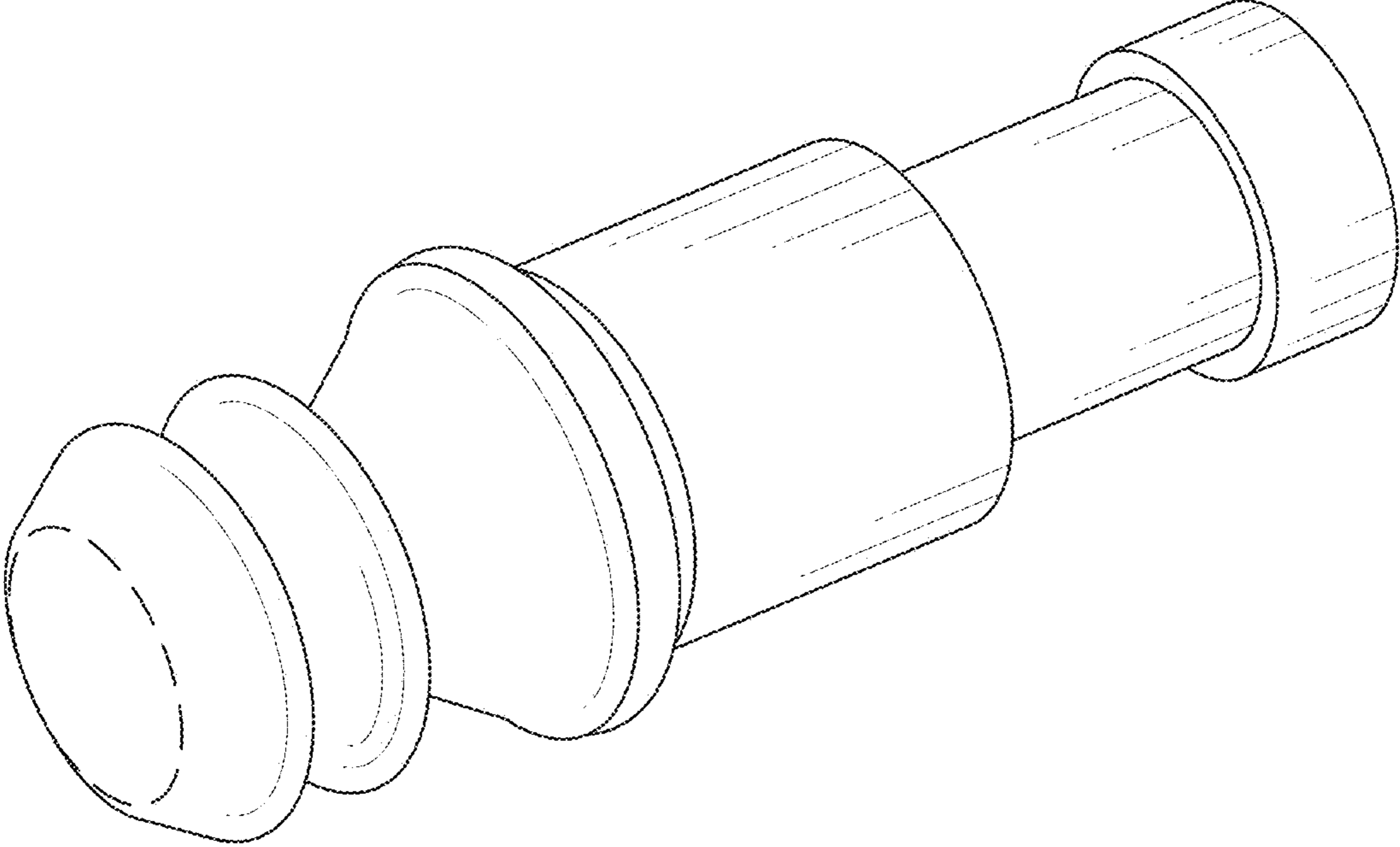


FIG. 2