



US00D987844S

(12) **United States Design Patent** (10) **Patent No.:** **US D987,844 S**
Liao (45) **Date of Patent:** **** May 30, 2023**

(54) **PERCUSSION MASSAGER**

FOREIGN PATENT DOCUMENTS

(71) Applicant: **MerchSource, LLC**, Irvine, CA (US)

WO 2021222571 A1 11/2021

(72) Inventor: **Denny SzuPao Liao**, Tustin, CA (US)

OTHER PUBLICATIONS

(73) Assignee: **MerchSource, LLC**, Irvine, CA (US)

Amazon, "Sharper Image Powerboost Pro Hot Cold Massager", Date First Available: Sep. 15, 2022. <https://www.amazon.com/Sharper-Image-Powerboost-Dual-Temperature-Attachments/dp/B0BFG72JWH?th=1> (Year: 2022).*

(**) Term: **15 Years**

(Continued)

(21) Appl. No.: **29/806,040**

(22) Filed: **Aug. 31, 2021**

(51) **LOC (14) Cl.** **24-01**

(52) **U.S. Cl.**

USPC **D24/215**

(58) **Field of Classification Search**

USPC D24/200, 211, 212, 213, 214, 215;
D8/14.1; D28/13

CPC A61H 23/006; A61H 23/02; A61H
2201/0165; A61H 15/0085; A61H 7/003

See application file for complete search history.

Primary Examiner — Michael A Maharajh

(74) *Attorney, Agent, or Firm* — Avyno Law P.C.

(57) **CLAIM**

I claim the ornamental design for a percussion massager, as shown and described.

DESCRIPTION

FIG. 1 is a top, perspective view of the front and left side of a percussion massager of the present invention.

FIG. 2 is a bottom, perspective view of the rear and right side of the percussion massager of FIG. 1.

FIG. 3 is a side elevation view of the left side of the percussion massager of FIG. 1.

FIG. 4 is a side elevation view of the right side of the percussion massager of FIG. 1.

FIG. 5 is a front elevation view of the percussion massager of FIG. 1.

FIG. 6 is a rear elevation view of the percussion massager of FIG. 1.

FIG. 7 is a top plan view of the percussion massager of FIG. 1; and,

FIG. 8 is a bottom plan view of the percussion massager of FIG. 1.

In the drawings, the broken lines depict portions of the percussion massager that form no part of the claimed design.

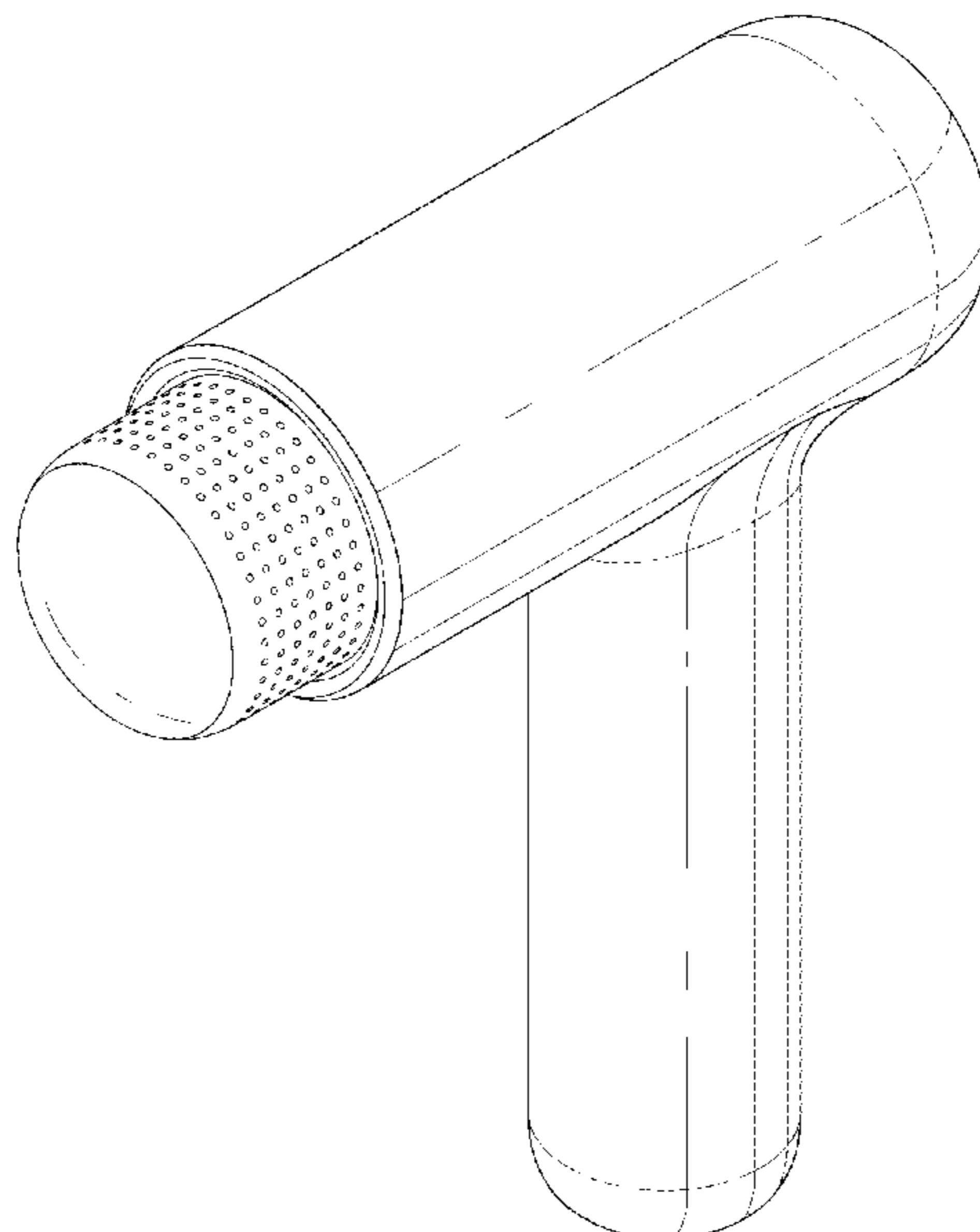
(56) **References Cited**

U.S. PATENT DOCUMENTS

898,209 A	9/1908	Foster	
9,889,066 B2	2/2018	Danby et al.	
10,314,762 B1	6/2019	Marton et al.	
10,357,425 B2	7/2019	Wersland et al.	
D855,822 S	8/2019	Marton et al.	
D863,571 S *	10/2019	Yang	D24/200
10,428,850 B2	10/2019	Wersland et al.	
10,470,970 B2	11/2019	Nazarian et al.	
10,492,984 B2	12/2019	Marton et al.	
D873,432 S	1/2020	Duan	
D874,015 S	1/2020	Marton et al.	
D875,961 S	2/2020	Li	
10,557,490 B2	2/2020	Wersland et al.	
10,561,574 B1	2/2020	Marton et al.	
10,617,588 B2	4/2020	Wersland et al.	
D886,317 S	6/2020	Marton et al.	
10,682,281 B2	6/2020	Smith, Jr. et al.	

(Continued)

1 Claim, 6 Drawing Sheets



(56)

References Cited

U.S. PATENT DOCUMENTS

10,702,448 B2 7/2020 Wersland et al.
 10,714,953 B1 7/2020 Solana et al.
 D895,133 S 9/2020 Xu
 D895,135 S 9/2020 Xu
 10,758,452 B2 9/2020 Wersland et al.
 10,774,860 B2 9/2020 Wersland et al.
 D898,933 S 10/2020 Xu
 D899,620 S * 10/2020 Huang D24/215
 10,847,984 B2 11/2020 Solana et al.
 D905,863 S 12/2020 Lin
 D906,533 S 12/2020 Xu
 10,857,064 B2 12/2020 Wersland et al.
 D908,908 S 1/2021 Xu
 10,888,492 B2 1/2021 Marton et al.
 10,905,627 B2 2/2021 Marton et al.
 10,912,707 B2 2/2021 Wersland et al.
 10,912,708 B2 2/2021 Marton et al.
 10,918,565 B2 2/2021 Wersland et al.
 10,940,081 B2 3/2021 Nazarian et al.
 10,945,915 B2 3/2021 Wersland et al.
 10,959,908 B2 3/2021 Lee et al.
 10,959,911 B2 3/2021 Wersland et al.
 D916,307 S * 4/2021 Xiong D24/215
 10,980,704 B2 4/2021 Wersland et al.
 10,993,874 B1 5/2021 Marton et al.
 D921,916 S 6/2021 Xu
 D921,917 S 6/2021 Xu
 D923,188 S 6/2021 Xu
 D923,190 S 6/2021 Xu
 D923,194 S 6/2021 Xu
 D924,422 S 7/2021 Huang
 D925,751 S 7/2021 Wu
 D925,756 S 7/2021 Xu
 D925,758 S 7/2021 Xu
 D926,338 S 7/2021 Xu
 D927,714 S 8/2021 Li
 D927,715 S 8/2021 Li
 11,090,222 B2 8/2021 Zhou
 D931,481 S 9/2021 Li
 D931,487 S 9/2021 Li
 D933,844 S * 10/2021 Chen D24/214
 D935,636 S 11/2021 Luo
 D935,637 S 11/2021 Li
 11,160,721 B2 11/2021 Wersland et al.
 11,160,722 B2 11/2021 Wersland et al.
 11,160,723 B2 11/2021 Wersland et al.
 11,166,863 B2 11/2021 Wersland et al.
 11,285,075 B2 3/2022 Danby et al.
 D949,383 S * 4/2022 Xu D24/215
 D949,389 S * 4/2022 Ying D24/215
 D949,421 S * 4/2022 Luo D24/215

D950,088 S * 4/2022 Tian D24/215
 D950,753 S * 5/2022 Zhang D24/215
 D953,556 S 5/2022 Marton et al.
 D956,251 S 6/2022 Marton et al.
 D956,252 S 6/2022 Marton et al.
 D956,253 S 6/2022 Marton et al.
 D956,254 S 6/2022 Marton et al.
 D956,255 S 6/2022 Marton et al.
 D956,256 S 6/2022 Marton et al.
 D956,257 S 6/2022 Marton et al.
 D956,258 S 6/2022 Marton et al.
 D956,259 S * 6/2022 Xu D24/215
 11,357,697 B2 6/2022 Wersland et al.
 D956,992 S * 7/2022 Lin D24/215
 D961,108 S * 8/2022 Jin D24/215
 D968,631 S * 11/2022 Zheng D24/215
 D969,335 S * 11/2022 Zhang D24/215
 D974,581 S * 1/2023 Brailey D24/215
 D975,302 S * 1/2023 Chen D24/215
 D975,861 S * 1/2023 Zhang D24/215
 2019/0247271 A1 8/2019 Lee et al.
 2020/0261306 A1 8/2020 Pepe
 2020/0276079 A1 9/2020 Cheng
 2020/0289365 A1 9/2020 Wersland et al.
 2020/0352822 A1 11/2020 Marton et al.
 2020/0390644 A1 12/2020 Yang
 2021/0022955 A1 1/2021 Wersland et al.
 2021/0032257 A1 2/2021 Coates et al.
 2021/0038472 A1 2/2021 Marton et al.
 2021/0077340 A1 3/2021 Pepe
 2021/0104318 A1 4/2021 Wersland et al.
 2021/0113427 A1 4/2021 Liu et al.
 2021/0161759 A1 6/2021 Minkus
 2021/0169733 A1 6/2021 Wersland et al.
 2021/0177692 A1 6/2021 Nazarian et al.
 2021/0244609 A1 8/2021 Lee et al.
 2021/0244610 A1 8/2021 Wersland et al.
 2021/0244611 A1 8/2021 Wersland et al.
 2021/0283005 A1 9/2021 Lee et al.
 2021/0307998 A1 10/2021 Rochel
 2021/0361524 A1 11/2021 Marton et al.
 2022/0051780 A1 2/2022 Jacobs et al.
 2022/0133585 A1 5/2022 Marton et al.

OTHER PUBLICATIONS

Powerboost, "Powerboost Pro" Earliest Review Date: Oct. 4, 2022.
<https://powerboost.com/powerboost-pro/> (Year: 2022).
 Youtube, "Shaper Image Powerboost Pro" Published Date: Nov. 23,
 2022. <https://www.youtube.com/watch?v=MAYaz60CC20> (Year:
 2022).*

* cited by examiner

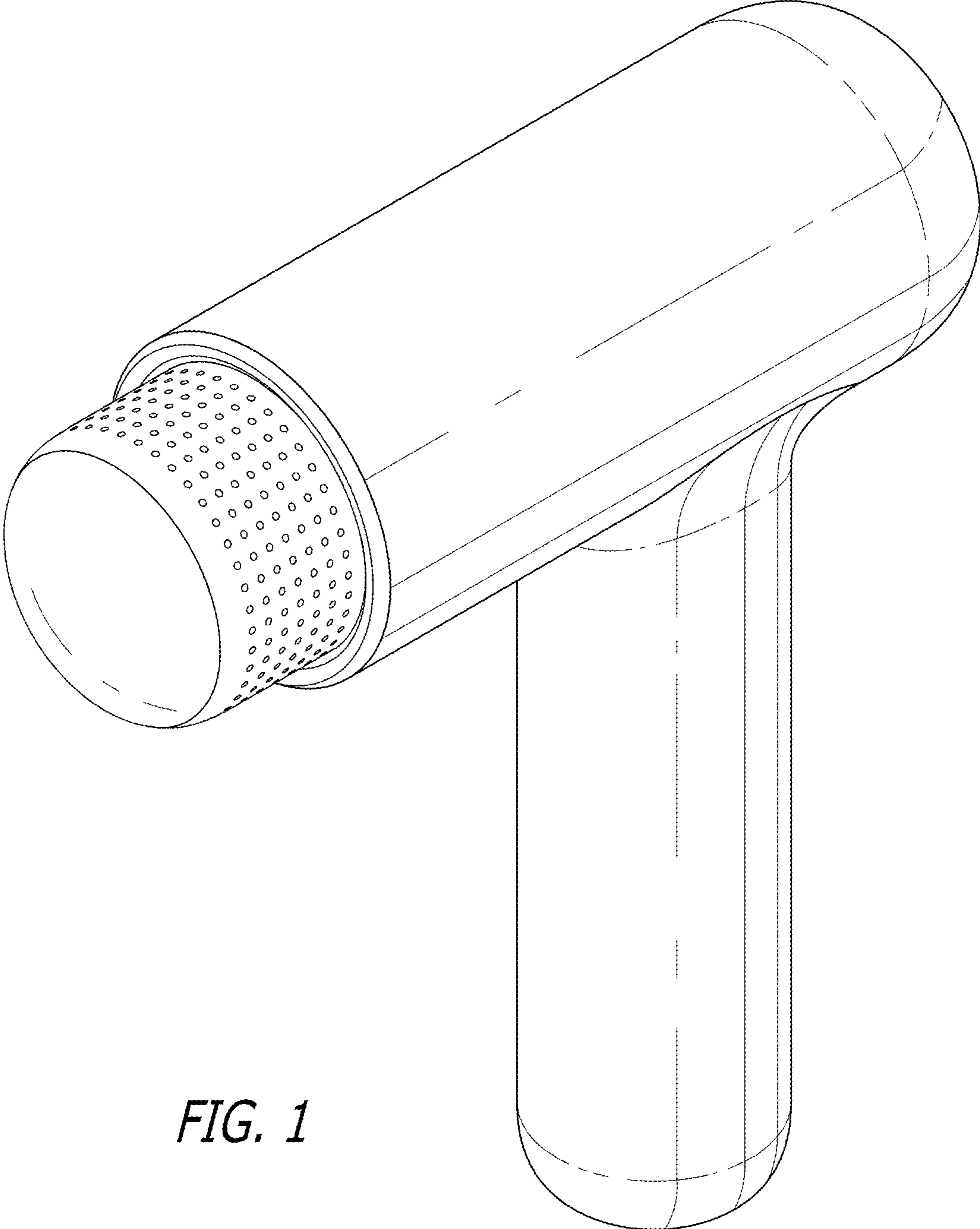


FIG. 1

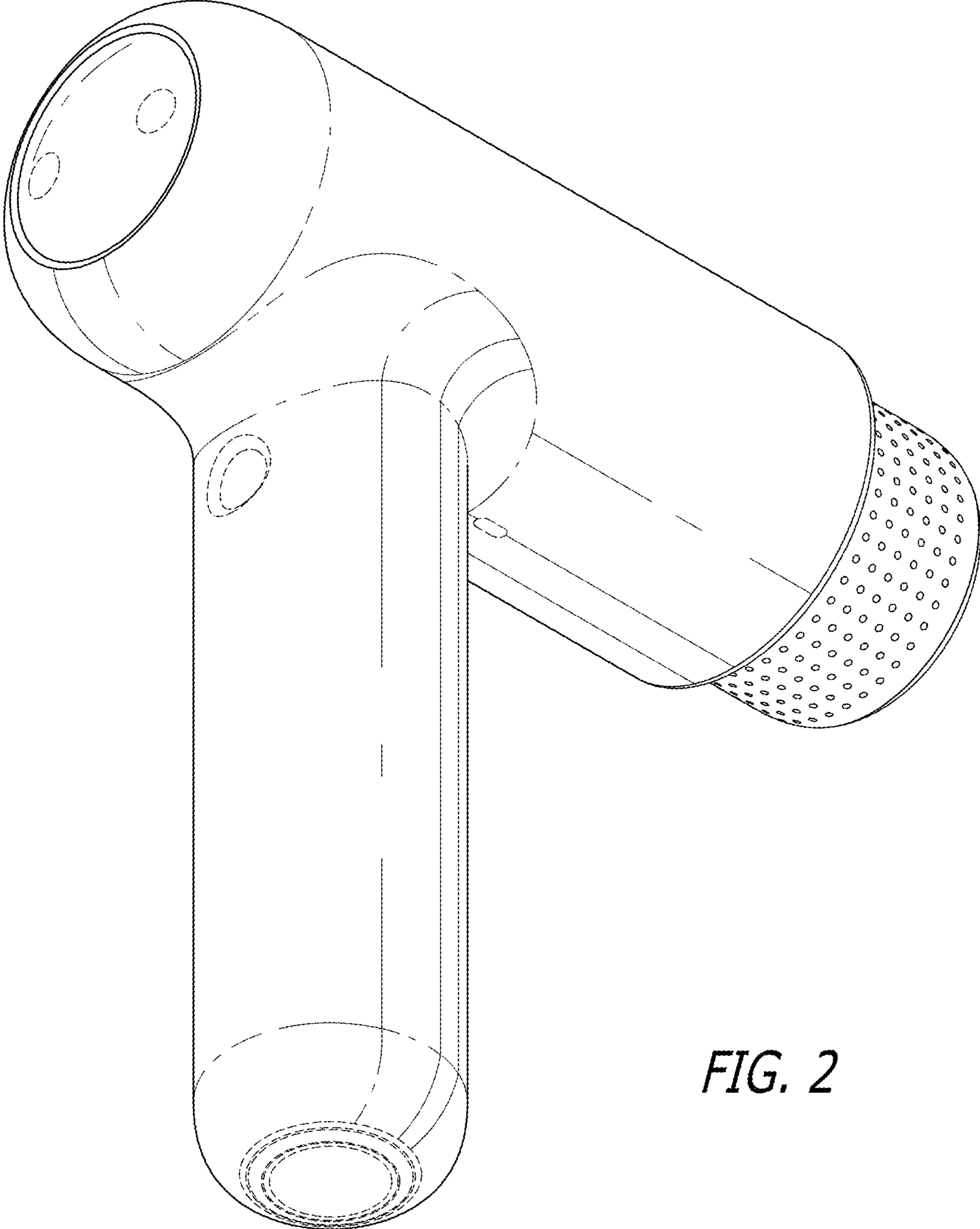


FIG. 2

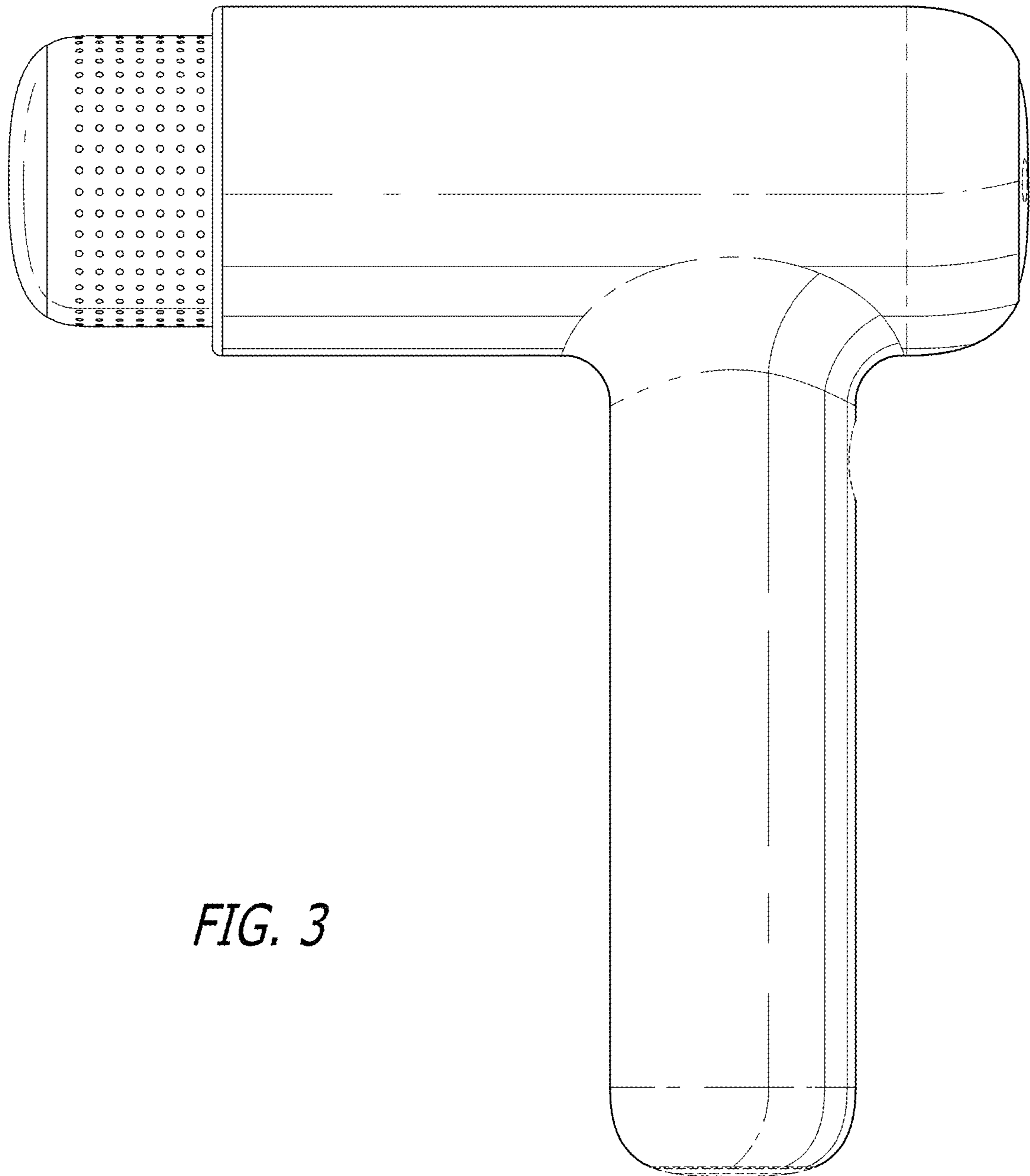


FIG. 3

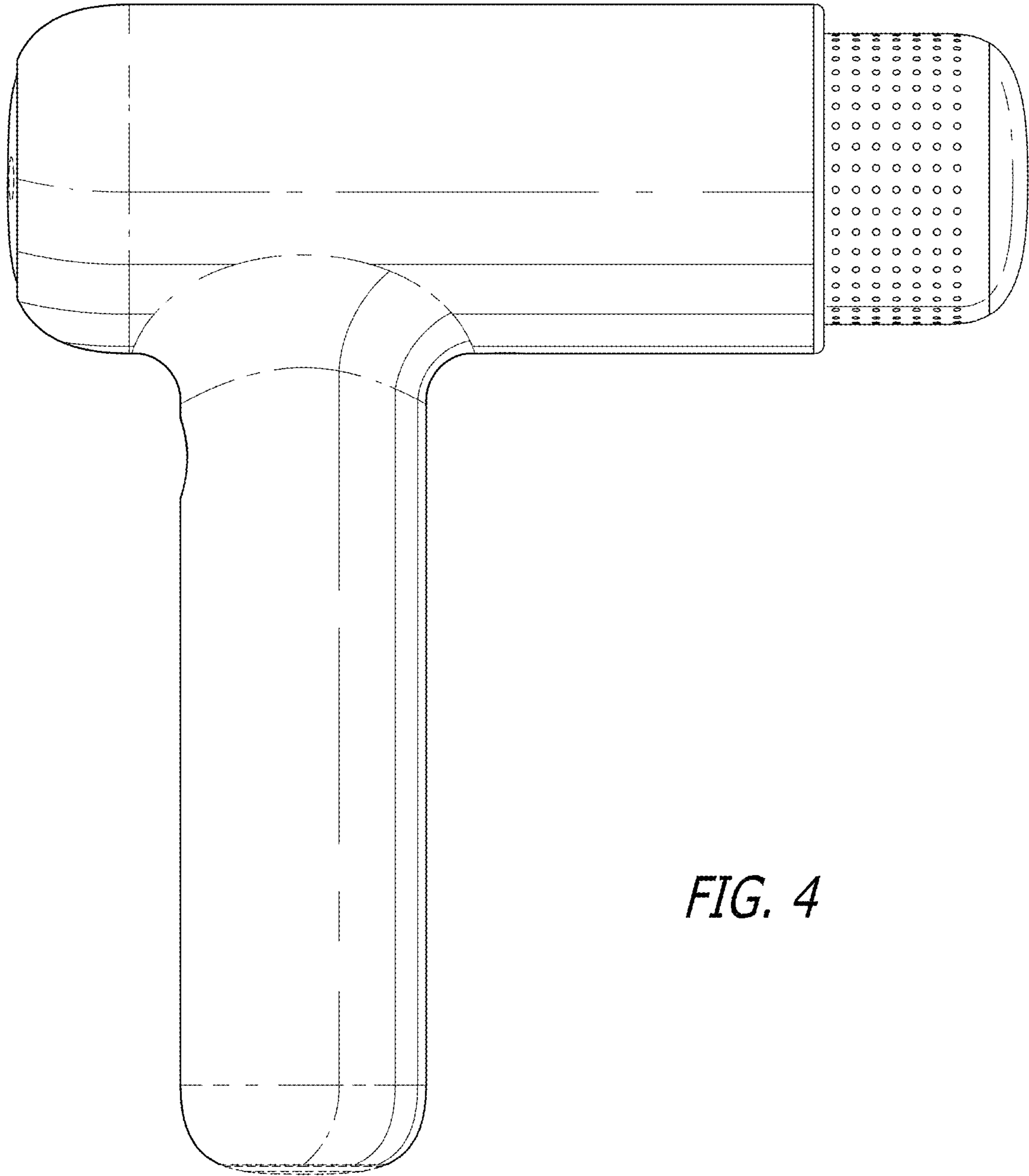


FIG. 4

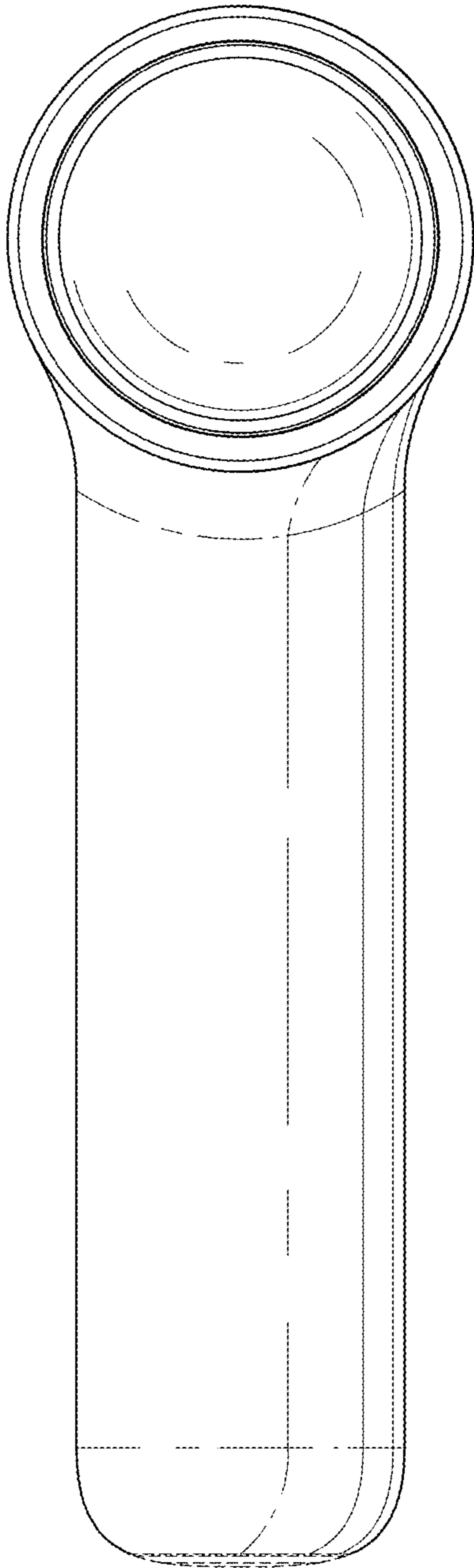


FIG. 5

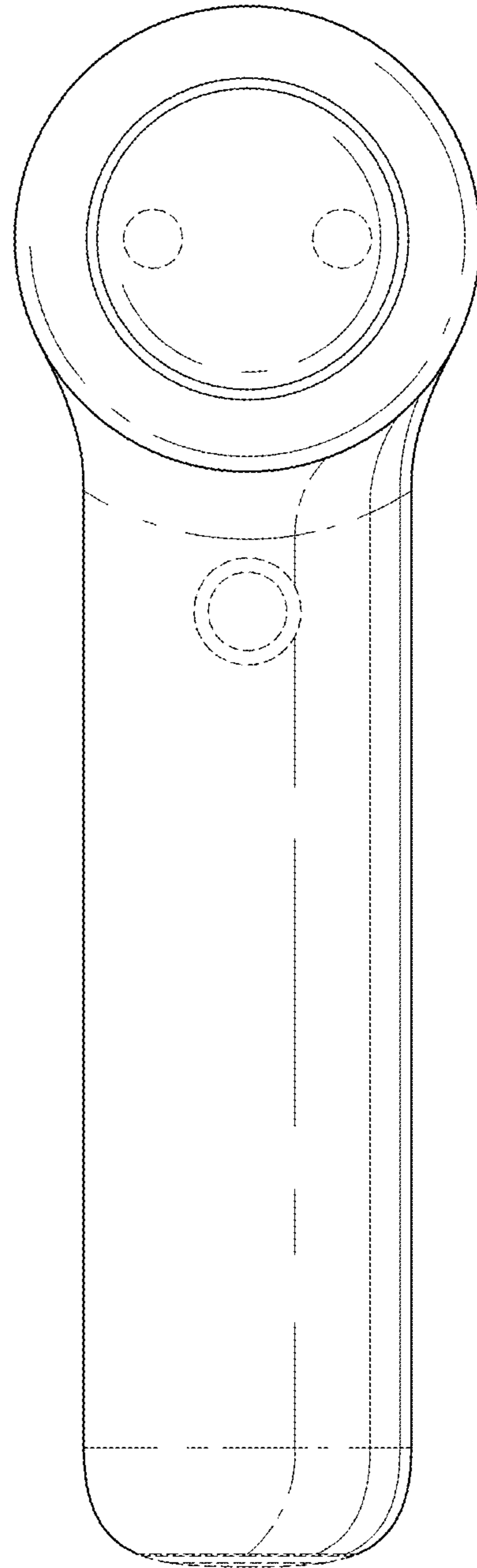


FIG. 6

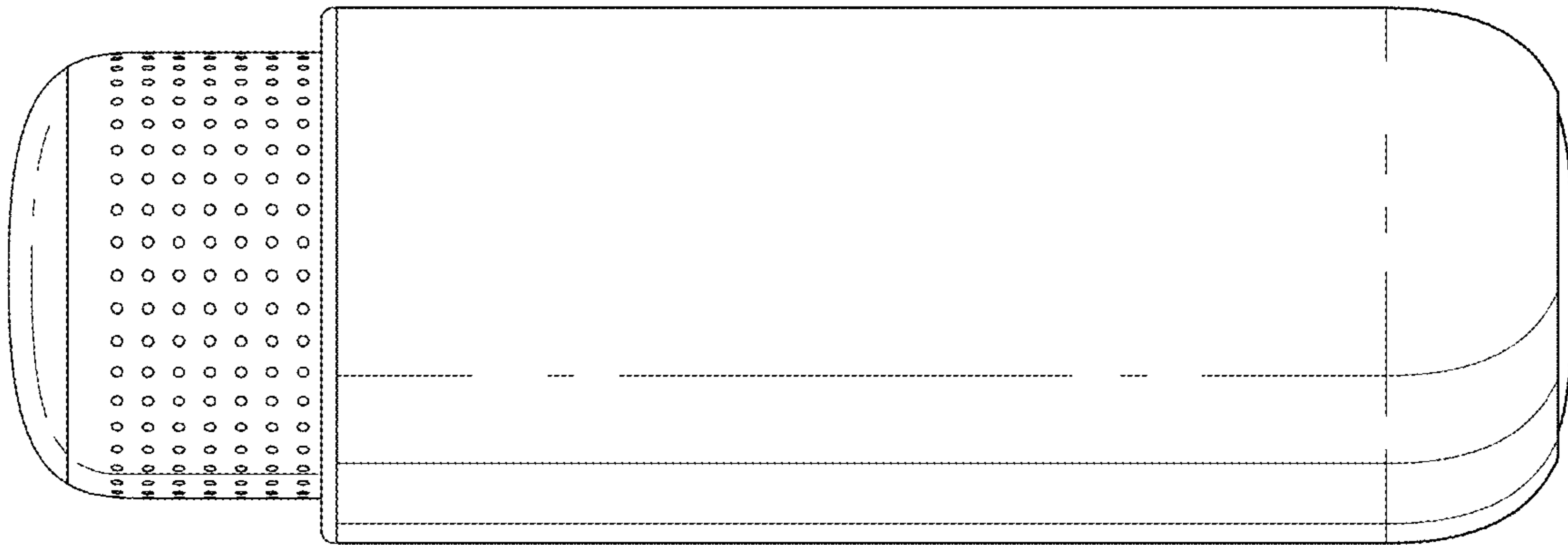


FIG. 7

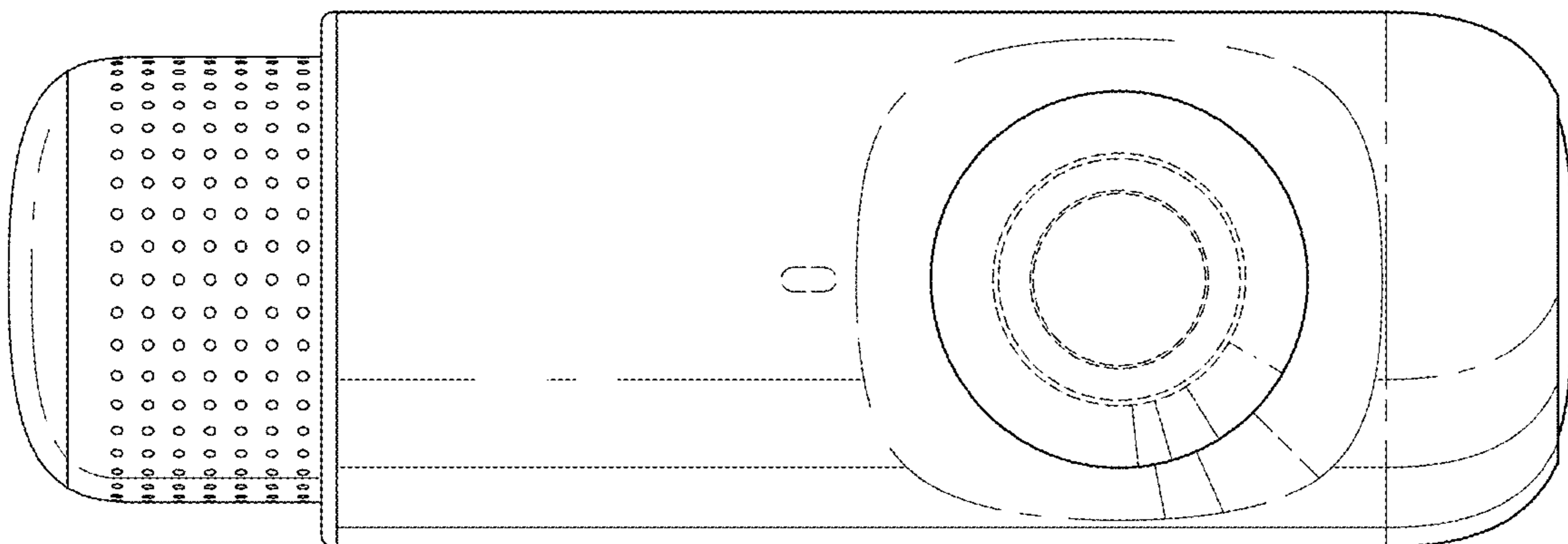


FIG. 8