



US00D987843S

(12) **United States Design Patent**
Liu et al.

(10) **Patent No.:** **US D987,843 S**
(45) **Date of Patent:** **** May 30, 2023**

(54) **NEGATIVE PRESSURE MASSAGE DEVICE**

(71) Applicant: **BIBOTING INTERNATIONAL CO., LTD.**, Taoyuan (TW)

(72) Inventors: **Shih-Ta Liu**, Taoyuan (TW); **Po-Chang Liu**, Taoyuan (TW); **Pei-En Lee**, New Taipei (TW)

(73) Assignee: **BIBOTING INTERNATIONAL CO., LTD.**, Taoyuan (TW)

(**) Term: **15 Years**

(21) Appl. No.: **29/803,999**

(22) Filed: **Aug. 17, 2021**

(51) **LOC (14) Cl.** **24-01**

(52) **U.S. Cl.**
USPC **D24/215**

(58) **Field of Classification Search**
USPC D24/133, 141, 188, 189, 200, 201, 202, D24/203, 204, 206, 209, 211, 212, 213, D24/214, 215, 160
CPC A61H 39/04; A61H 2201/0157; A61H 1/0266; A61H 2015/0042; A61H 2201/1614

See application file for complete search history.

(56) **References Cited**

U.S. PATENT DOCUMENTS

D424,206 S * 5/2000 Tafoya D24/200
D706,435 S * 6/2014 Weng D24/200
D866,778 S * 11/2019 Liu D24/200
D866,779 S * 11/2019 Liu D24/200
D967,969 S * 10/2022 Jin D24/200

D975,747 S * 1/2023 Solana D15/7
2022/0032050 A1 * 2/2022 Liu F21V 11/00
2022/0096312 A1 * 3/2022 Liu A61H 23/00

OTHER PUBLICATIONS

Biboting, "Biboting 4DX Massager", Access Date: Feb. 13, 2023. <https://biboting.com.tw/en/4dx-massager/> (Year: 2023).*

* cited by examiner

Primary Examiner — Michael A Maharajh

(74) *Attorney, Agent, or Firm* — Chun-Ming Shih; HDLS IPR Services

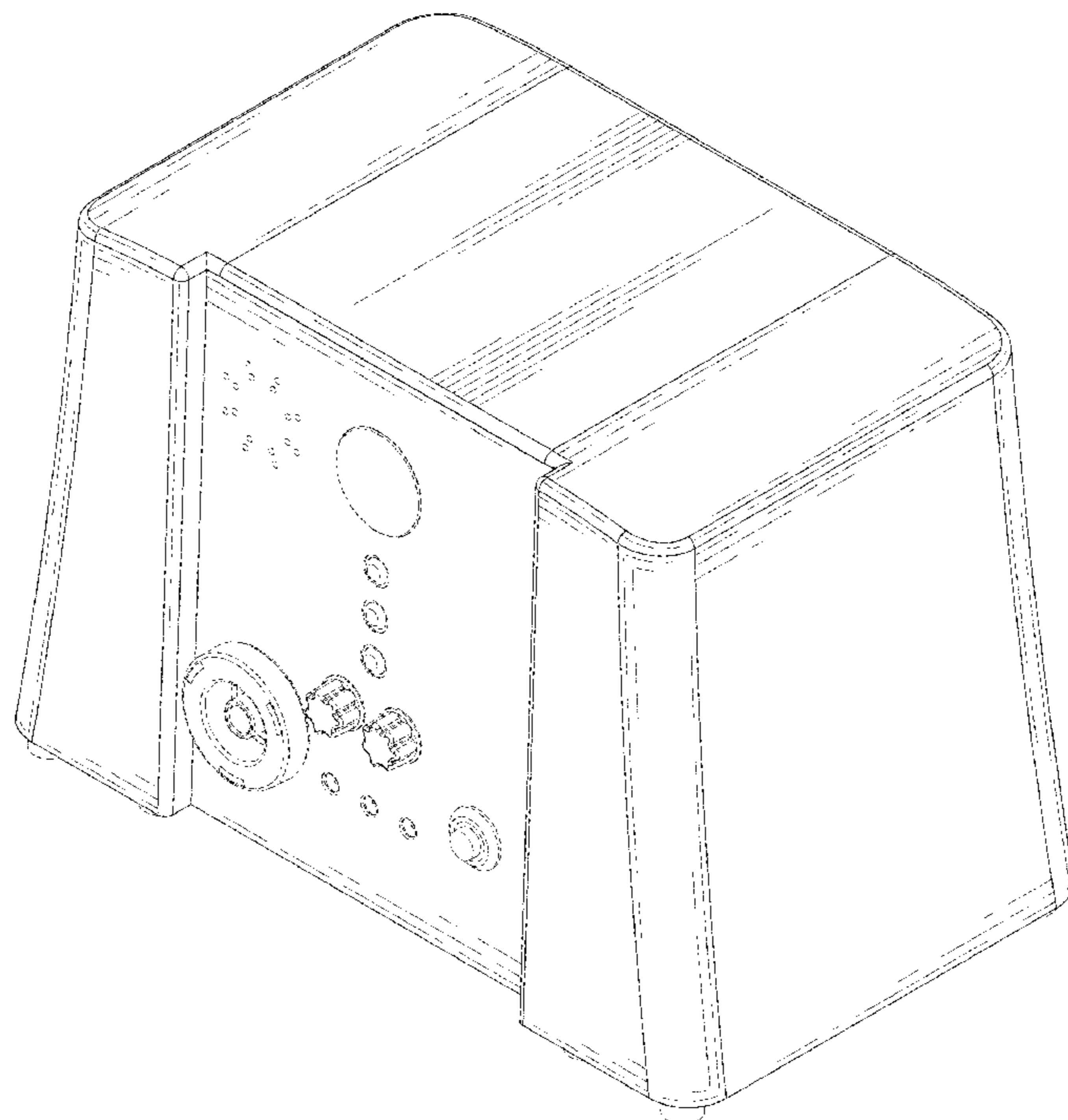
(57) **CLAIM**

The ornamental design for a negative pressure massage device, as shown and described.

DESCRIPTION

FIG. 1 is a perspective view of a negative pressure massage device showing my new design;
FIG. 2 is a front view thereof;
FIG. 3 is a rear view thereof;
FIG. 4 is a left side view thereof;
FIG. 5 is a right side view thereof;
FIG. 6 is a top view thereof;
FIG. 7 is a bottom view thereof; and,
FIG. 8 is second perspective view showing the negative pressure massage device.
The broken lines in the drawings illustrate portions of the negative pressure massage device that form no part of the claimed design.

1 Claim, 8 Drawing Sheets



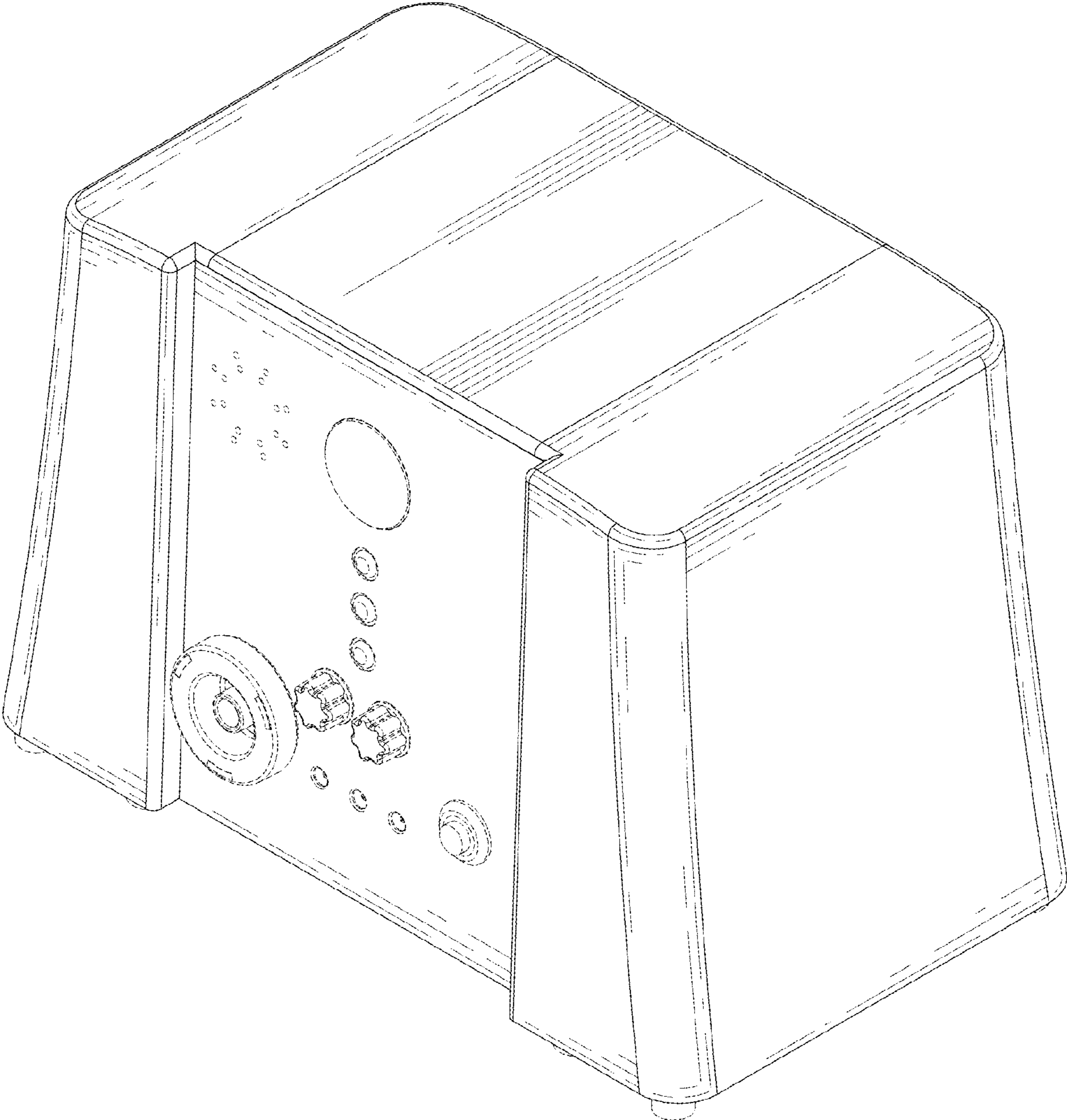


FIG.1

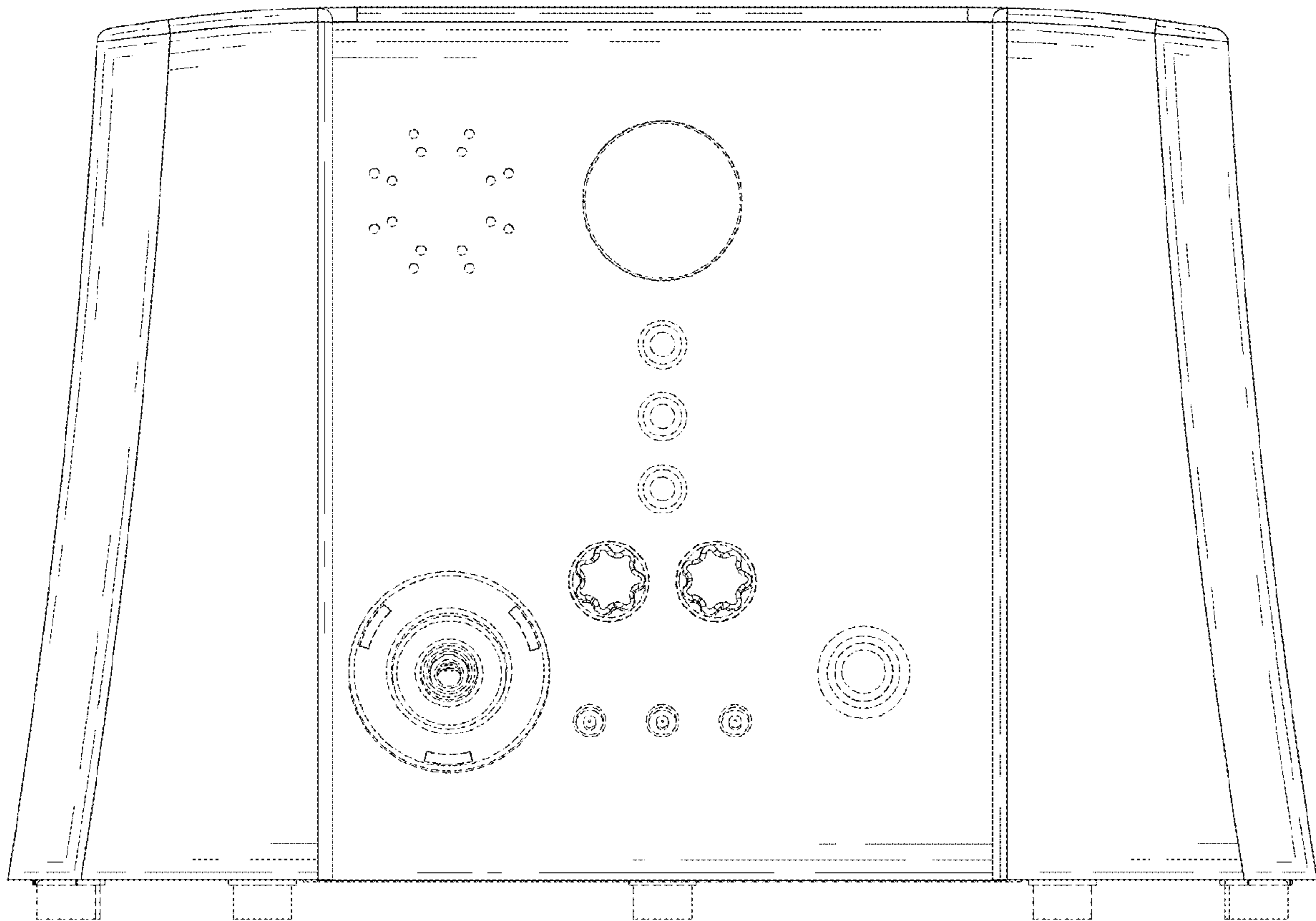


FIG.2

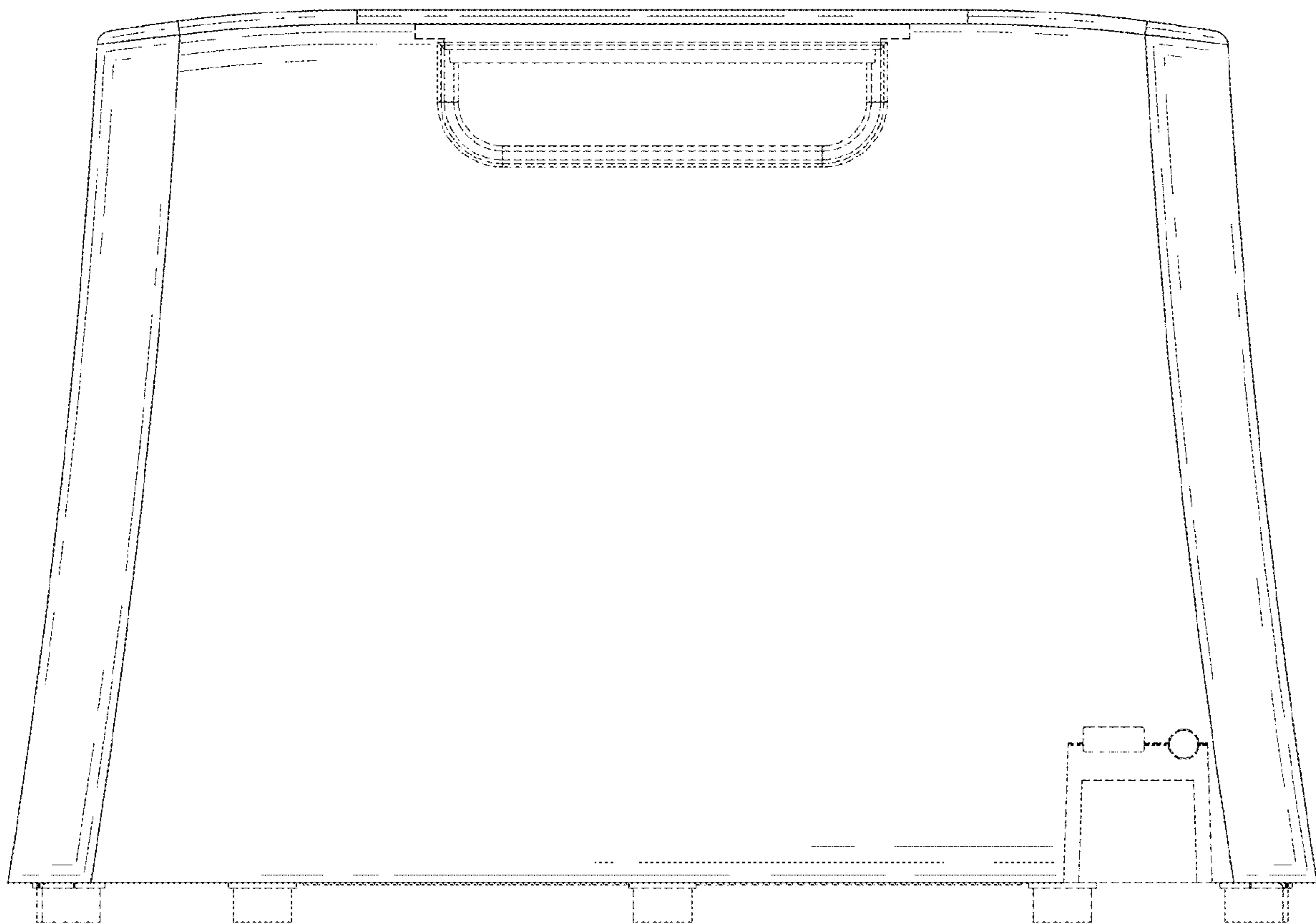


FIG.3

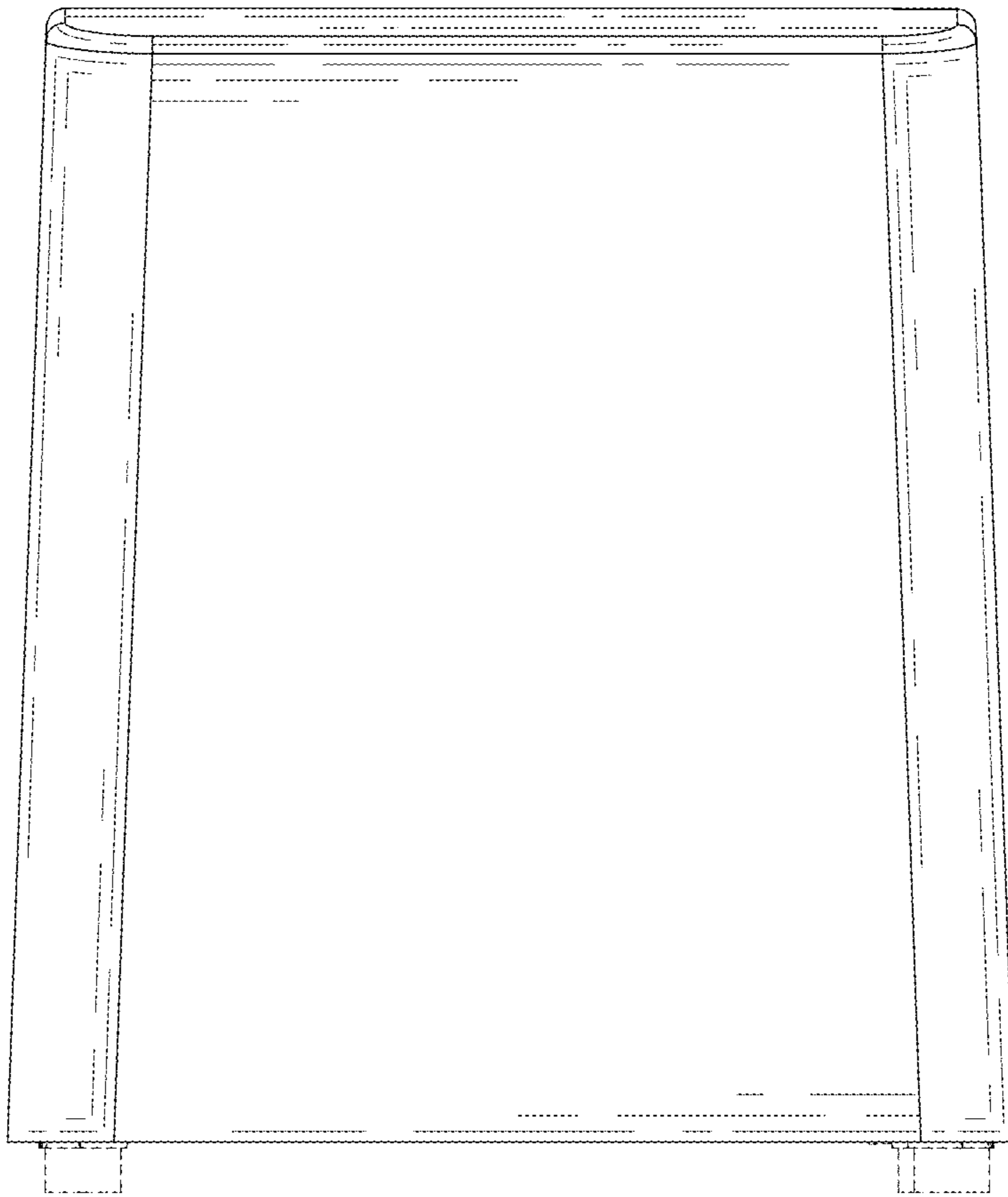


FIG. 4

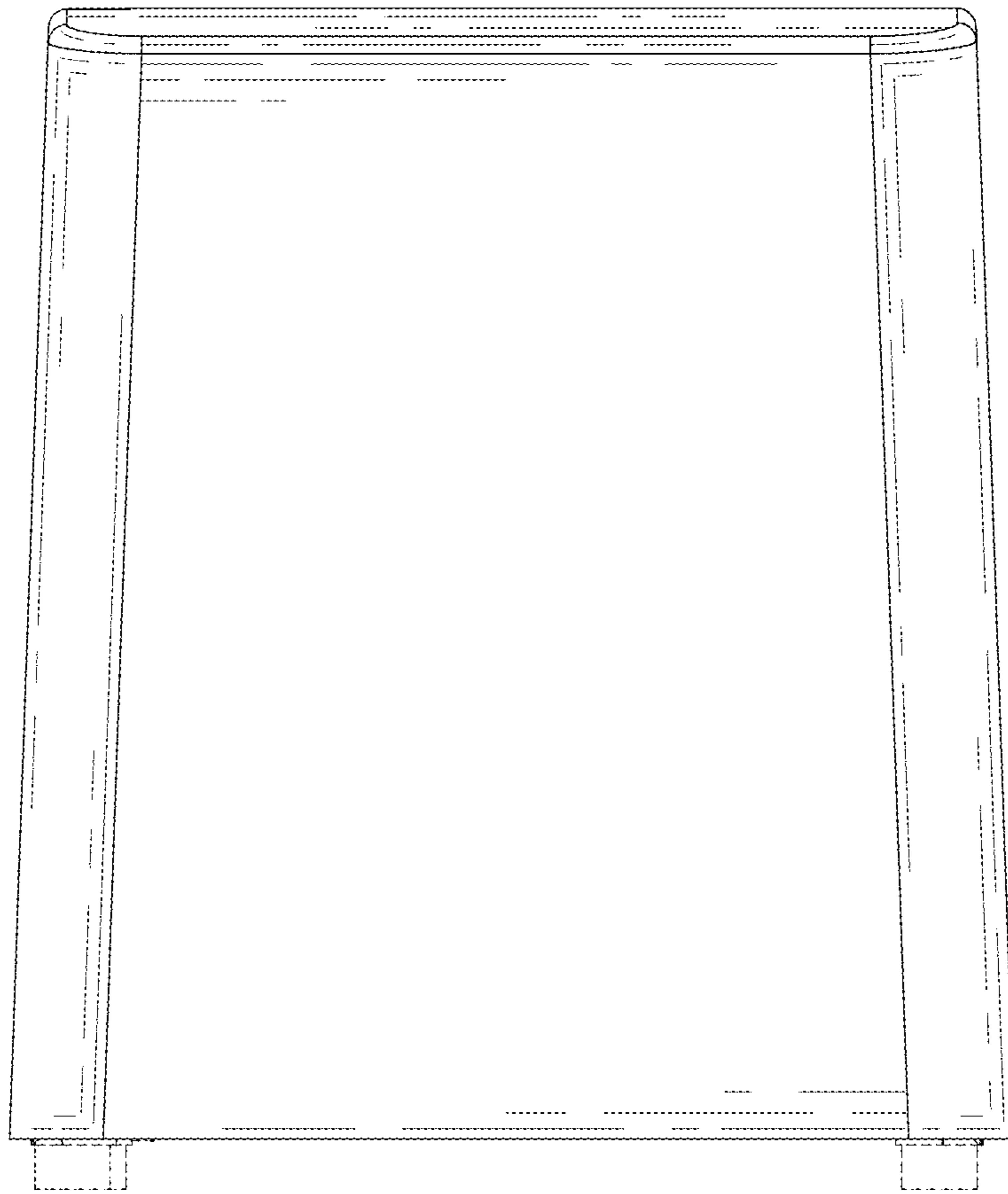


FIG.5

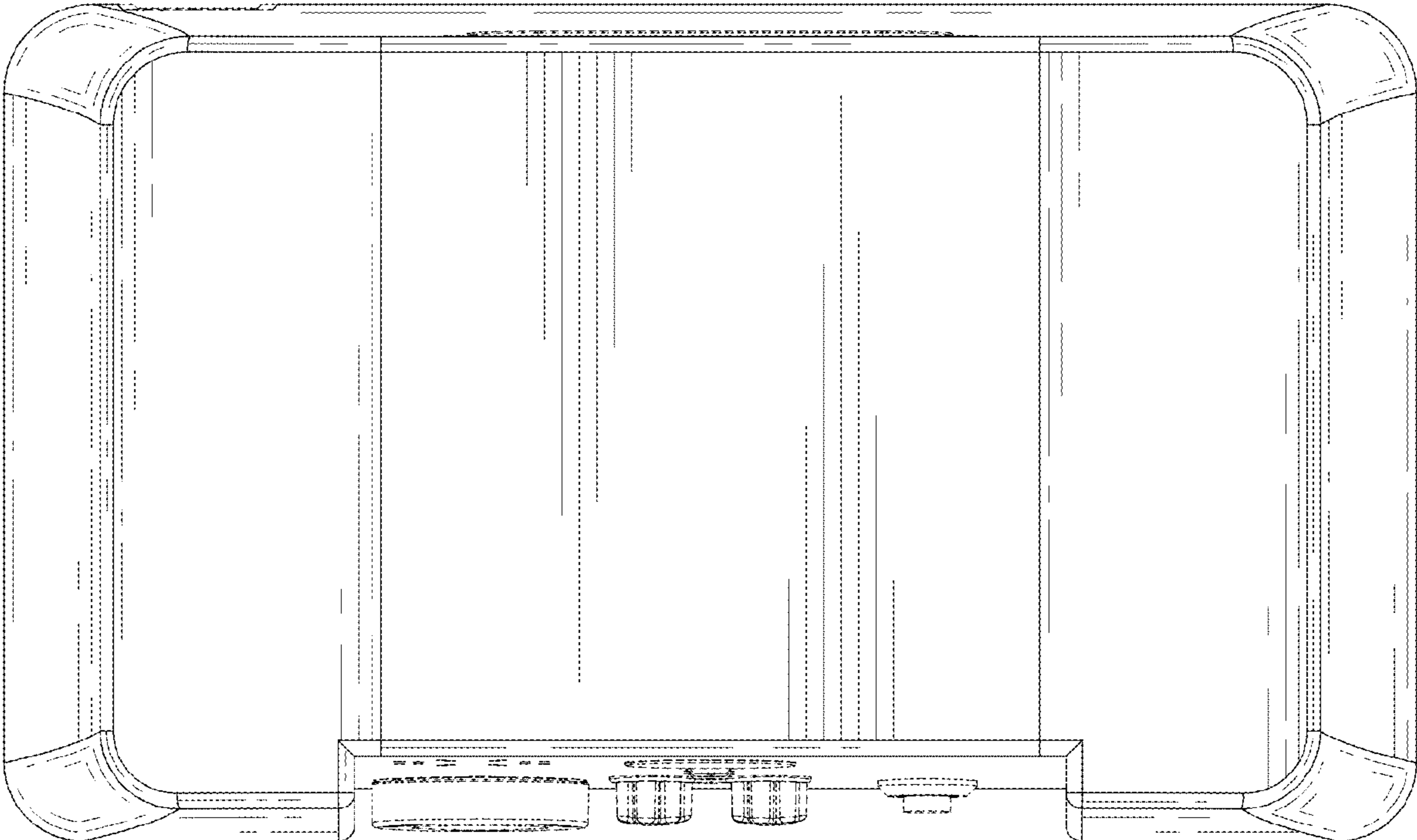


FIG.6

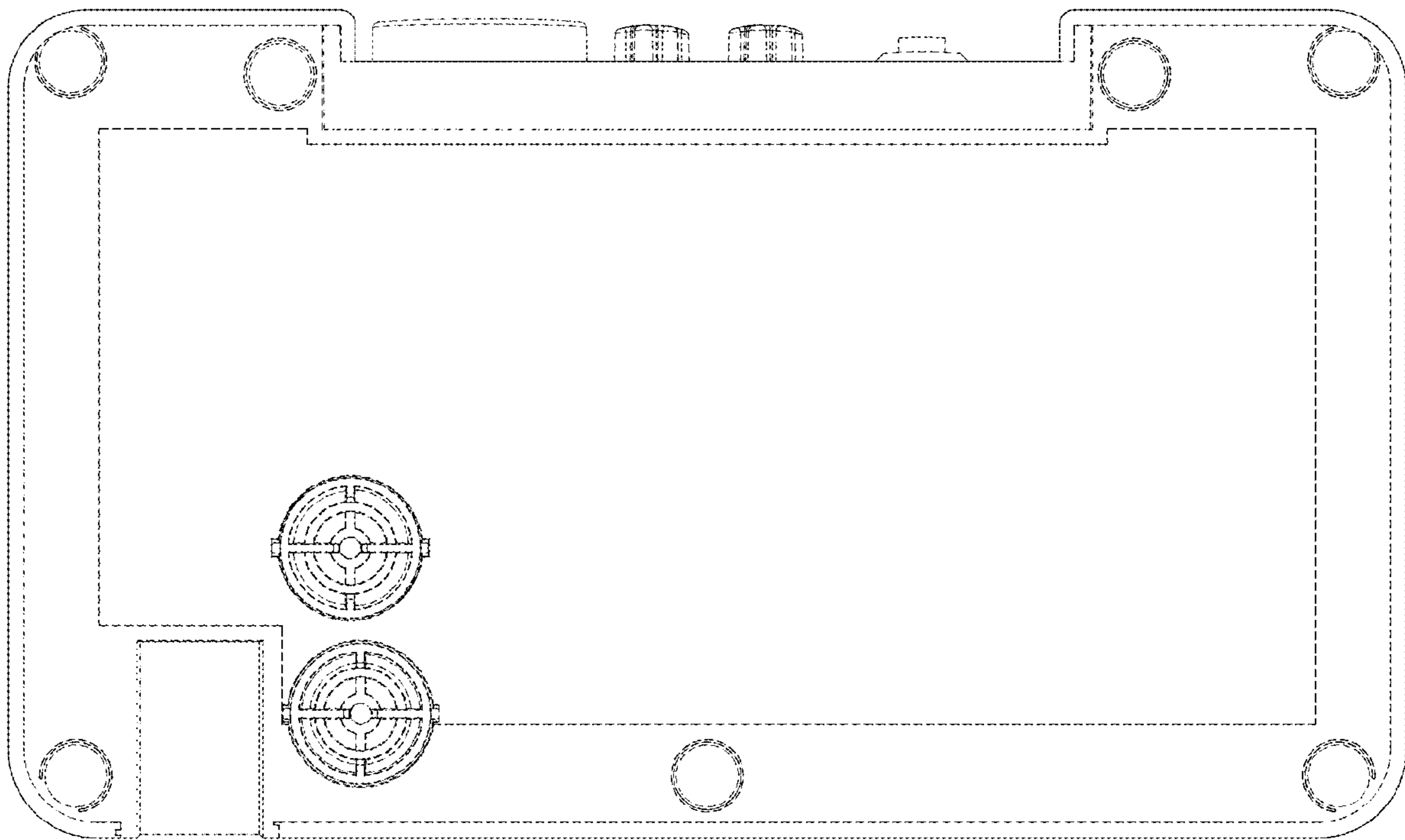


FIG.7

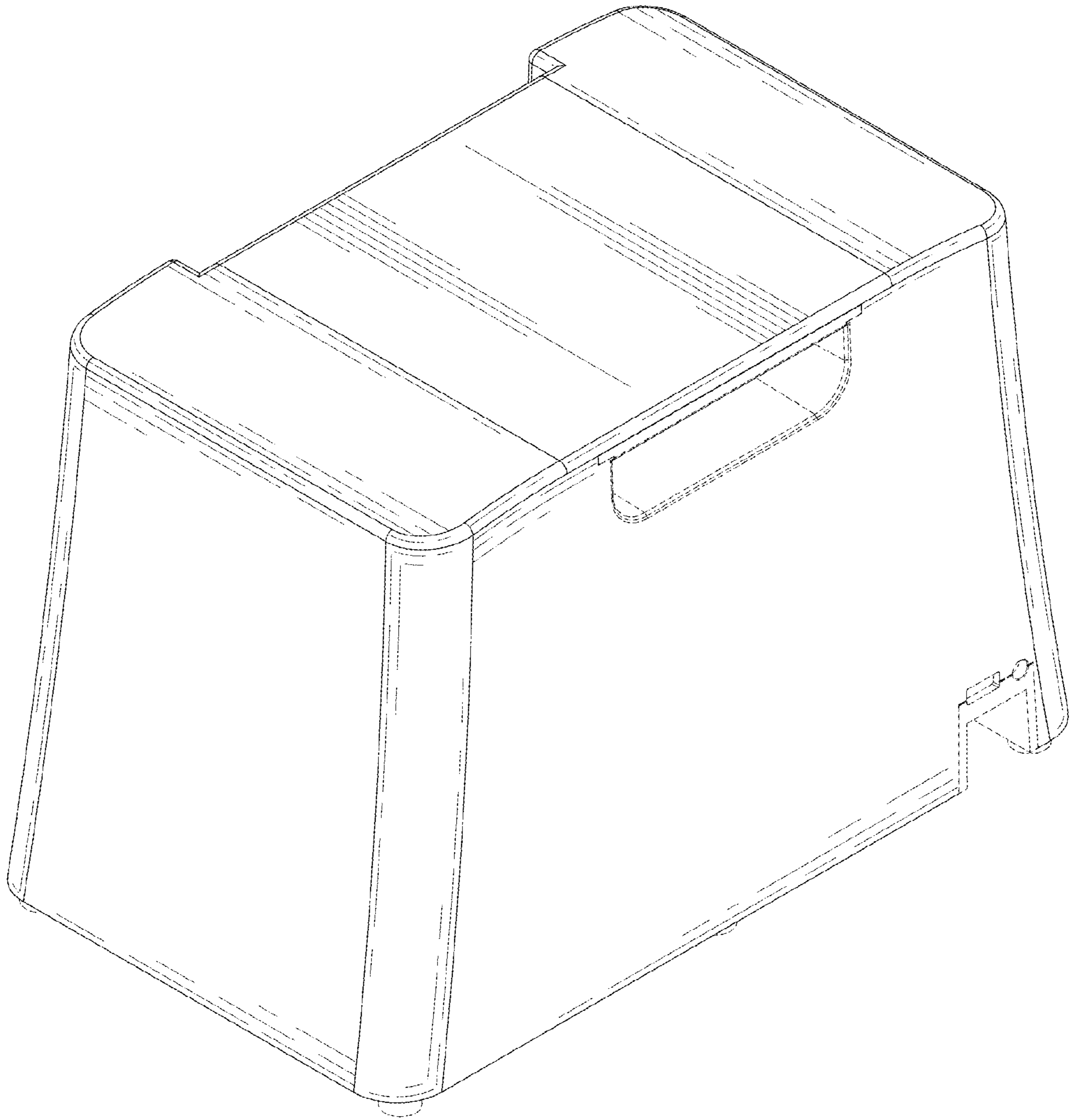


FIG.8