



US00D987842S

(12) **United States Design Patent**
Moreno

(10) **Patent No.:** **US D987,842 S**
(45) **Date of Patent:** **** May 30, 2023**

(54) **MESSAGE DEVICE**

(71) Applicant: **MB IMPORTS LLC**, Riverside, CA
(US)

(72) Inventor: **Ramiro Nieto Moreno**, Buenos Aires
(AR)

(73) Assignee: **MB IMPORTS LLC**, Riverside, CA
(US)

(**) Term: **15 Years**

(21) Appl. No.: **29/803,534**

(22) Filed: **Aug. 13, 2021**

(51) **LOC (14) Cl.** **28-03**

(52) **U.S. Cl.**
USPC **D24/215**

(58) **Field of Classification Search**
USPC D24/215, 200, 211, 212, 213, 214, 133,
D24/107, 231, 184; D8/14.1, 61;
D28/12, 13

CPC A61H 15/00; A61H 15/0092; A61H
15/0078; A61H 15/0085; A61H
2015/0007; A61H 2015/0042; A61H
2201/0153; A61H 7/00; A61H 7/003;
A61H 7/004; A61H 7/005; A61H 9/00;
A61H 2205/06

See application file for complete search history.

(56) **References Cited**

U.S. PATENT DOCUMENTS

D293,020 S	*	12/1987	Steinel	D28/13
D487,219 S	*	3/2004	Chudy	D8/68
D641,220 S	*	7/2011	Shi	D8/29.1
D829,519 S	*	10/2018	Teraoka	D8/29.1
D873,432 S	*	1/2020	Duan	D24/214
D884,207 S	*	5/2020	Ma	D24/215
D893,738 S		8/2020	Zhuang		
D895,133 S	*	9/2020	Xu	D24/215
D895,829 S	*	9/2020	Hu	D24/215

(Continued)

FOREIGN PATENT DOCUMENTS

CN	305000376	1/2019
CN	305012656	1/2019

(Continued)

OTHER PUBLICATIONS

Fusion Black Pro—Muscle Massage Gun. Date: Not listed. [online].
[Site visited May 18, 2022]. Available from Internet URL: <https://fitnessathomegear.com/products/fusion-black-pro-muscle-massage-gun-deep-tissue-percussion-muscle-massager-gun-for-athletes-pain-relief-therapy-and-relaxation-percussive-chiropractor-massager-body-massager> (Year: NA).*

(Continued)

Primary Examiner — Eliza Z Harvey

Assistant Examiner — Landon Thomas Cassell

(74) *Attorney, Agent, or Firm* — K&L Gates LLP

(57) **CLAIM**

The ornamental design for a massage device, as shown and described herein.

DESCRIPTION

FIG. 1 illustrates a perspective view of a massage device, according to one embodiment of the invention.

FIG. 2 illustrates a left side view of the massage device shown in FIG. 1.

FIG. 3 illustrates a right side view of the massage device shown in FIG. 1.

FIG. 4 illustrates a front view of the massage device shown in FIG. 1.

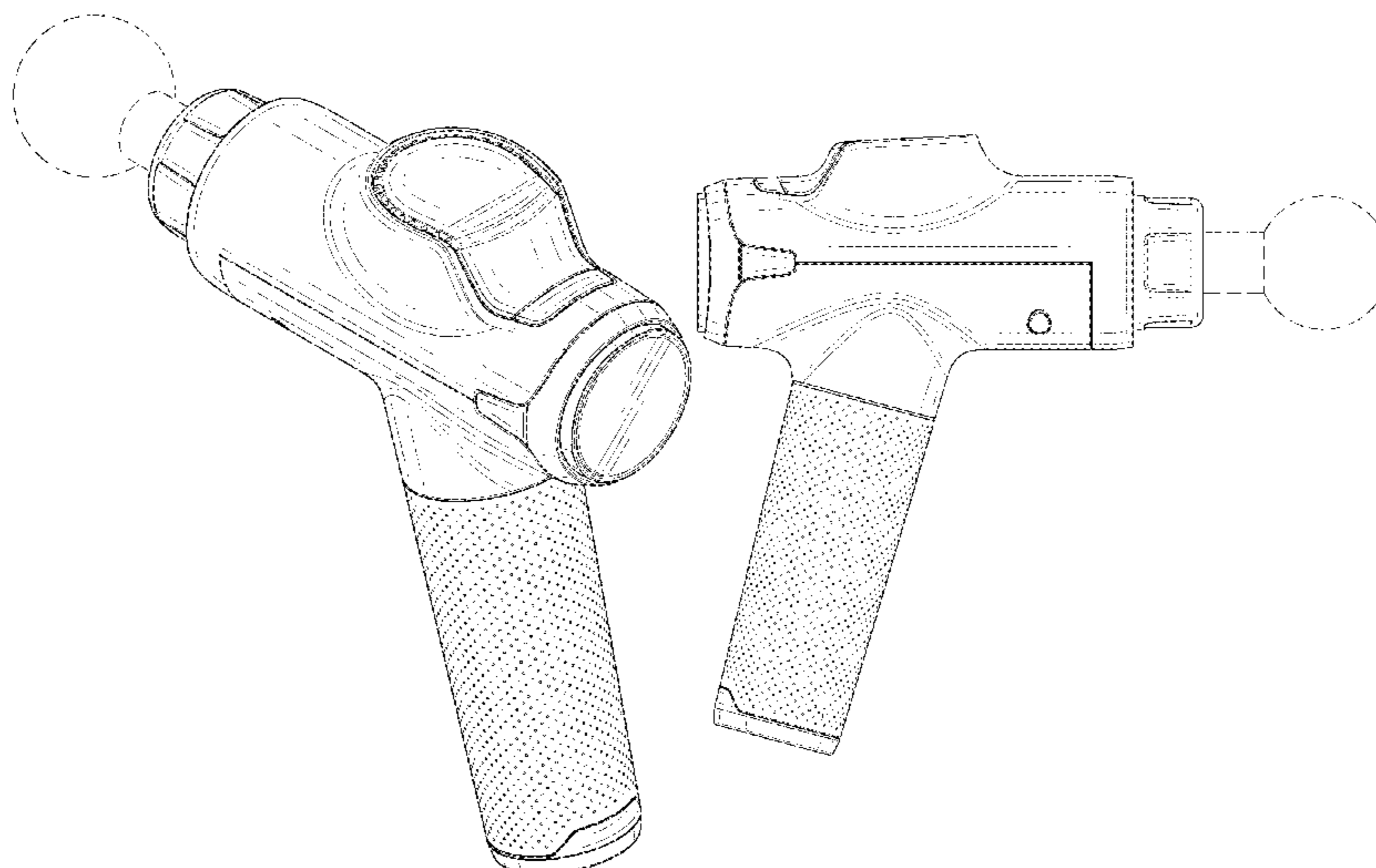
FIG. 5 illustrates a rear view of the massage device shown in FIG. 1.

FIG. 6 illustrates a bottom view of the massage device shown in FIG. 1; and,

FIG. 7 illustrates a top view of the massage device in FIG. 1.

The broken lines in the drawings depict portions of the massage device that form no part of the claimed design.

1 Claim, 7 Drawing Sheets



(56)

References Cited

U.S. PATENT DOCUMENTS

D895,831 S * 9/2020 Chen D24/215
 D905,863 S * 12/2020 Lin D24/215
 D906,533 S * 12/2020 Xu D24/215
 D918,408 S 5/2021 Huang
 D921,916 S 6/2021 Xu
 D923,188 S 6/2021 Xu
 D923,194 S 6/2021 Xu
 D927,714 S 8/2021 Li
 D928,338 S 8/2021 Hu
 D929,601 S 8/2021 Lin
 D931,481 S 9/2021 Li
 D932,039 S 9/2021 Yu
 D934,441 S 10/2021 Zhang
 D935,045 S * 11/2021 Zhang D24/215
 D935,637 S 11/2021 Li
 D938,056 S 12/2021 Wu
 D939,103 S 12/2021 Xu
 D939,725 S 12/2021 Tong
 D940,345 S 1/2022 Cheng
 D949,385 S * 4/2022 Zang D24/215
 D952,174 S * 5/2022 Shu D24/215
 2020/0390644 A1 * 12/2020 Yang A61H 23/02

FOREIGN PATENT DOCUMENTS

CN 305083337 3/2019
 CN 305095041 4/2019
 CN 305143801 5/2019
 CN 305190947 5/2019
 CN 305241917 7/2019
 CN 305270907 7/2019
 CN 305328882 8/2019
 CN 305532753 1/2020
 CN 305539580 1/2020
 CN 305571224 1/2020
 CN 305656253 3/2020
 CN 305700938 4/2020
 CN 305727540 4/2020
 CN 305823722 6/2020
 CN 305823723 6/2020
 CN 305862084 6/2020
 CN 305899107 7/2020
 CN 305951849 7/2020
 CN 306021551 8/2020
 CN 306042926 9/2020
 CN 306061129 9/2020

CN 306061131 9/2020
 CN 306073865 9/2020
 CN 306120906 10/2020
 CN 306145024 10/2020
 CN 306263911 1/2021
 CN 306290671 1/2021
 CN 306354994 2/2021
 CN 306331490 3/2021
 CN 306385985 3/2021
 CN 306386014 3/2021
 CN 306516338 5/2021
 CN 306633356 6/2021
 CN 202130104976.4 * 7/2021
 CN 306789024 8/2021
 CN 306798600 8/2021
 CN 306805097 9/2021
 CN 306828014 9/2021
 CN 306902339 10/2021
 CN 202130340818.9 * 10/2021
 CN 306918077 11/2021
 EM 006795613-0001 9/2019
 EM 007451752-0001 1/2020
 EM 007976451-0002 6/2020
 EM 008014773-0001 6/2020
 EM 008063234-0001 8/2020
 EM 008150510-0001 9/2020
 EM 008215933-0001 10/2020
 EM 008277289-0001 11/2020
 EM 008483192-0001 4/2021
 EM 008551451-0001 5/2021
 EM 008562110-0001 6/2021
 EM 008562151-0001 6/2021
 GB 6096114 7/2020
 GB 6098849 8/2020
 GB 9008150510-0001 8/2020
 GB 6140567 6/2021
 GB 6177053 11/2021
 KR 301089967 1/2021
 WO D214955-010 7/2021

OTHER PUBLICATIONS

Massagers. (Design—© Questel) orbit.com. [Online PDF compilation of references] 16 pgs. Print Dates Range Mar. 2, 2021-Nov. 10, 2021 [Retrieved Jul. 6, 2022] <https://www.orbit.com/export/UCZAH96B/pdf4/ef8de2ee-eae0-4f93-8c94-f417d285ee0c-165841.pdf> (Year: 2022).*

* cited by examiner

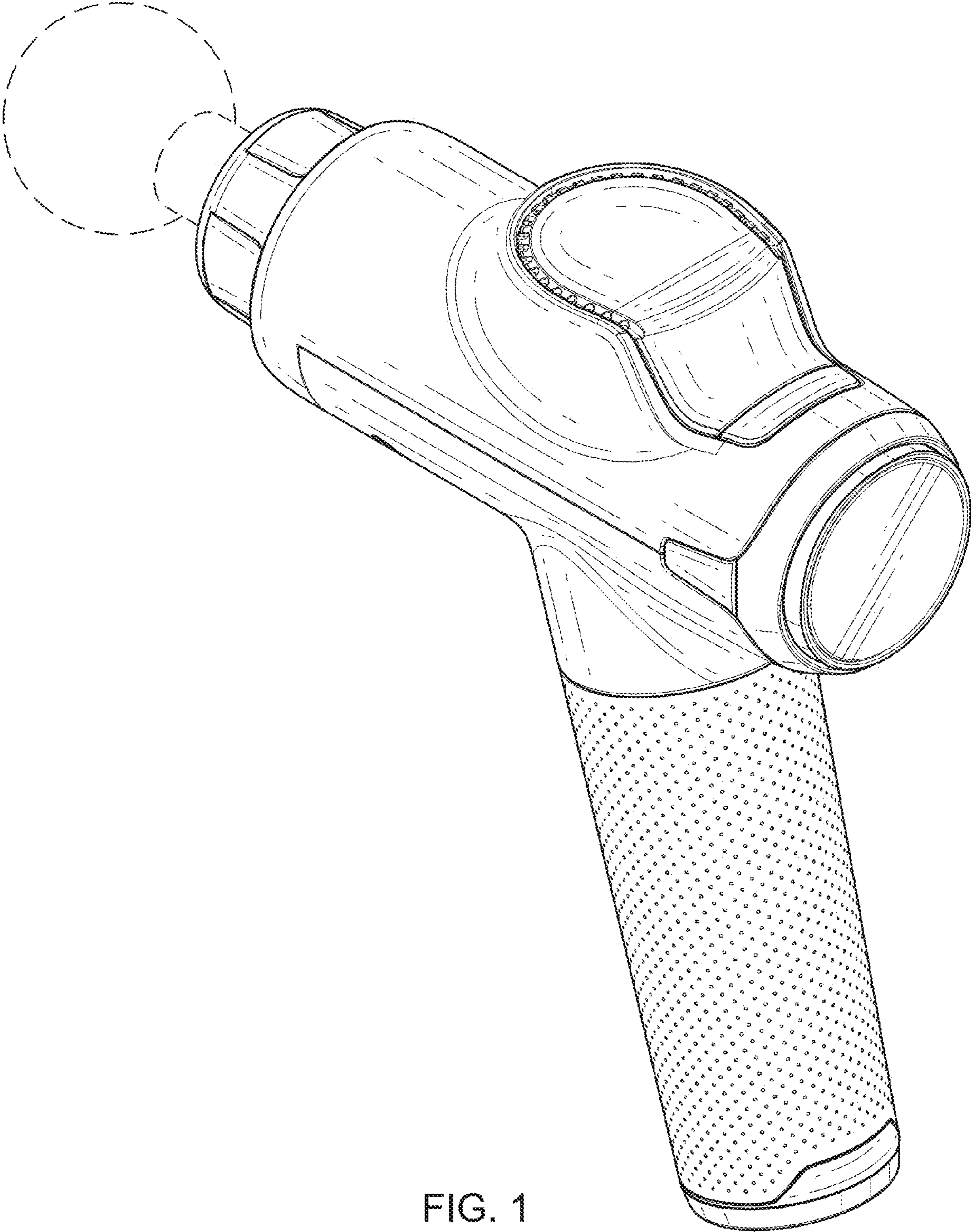


FIG. 1

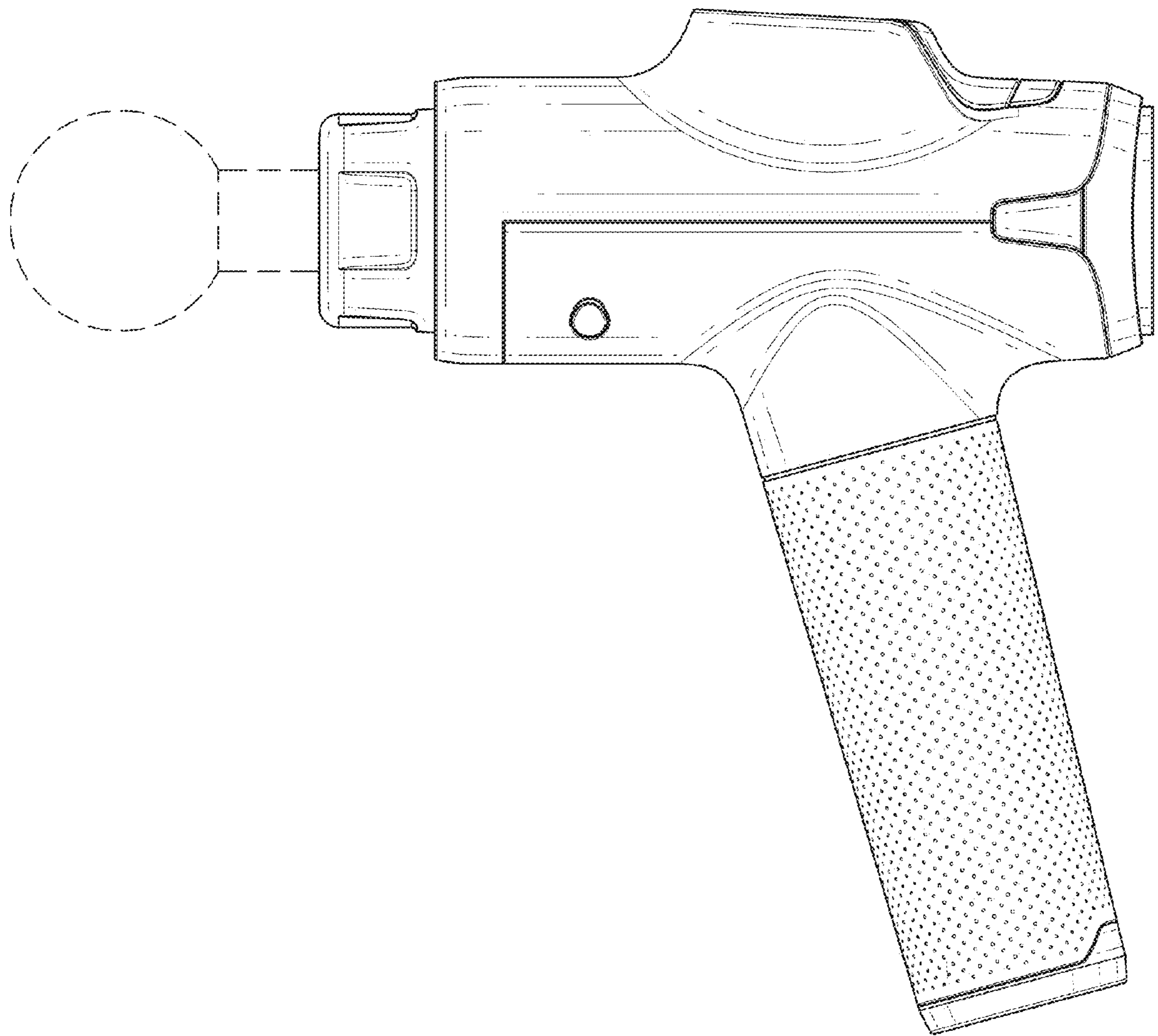


FIG. 2

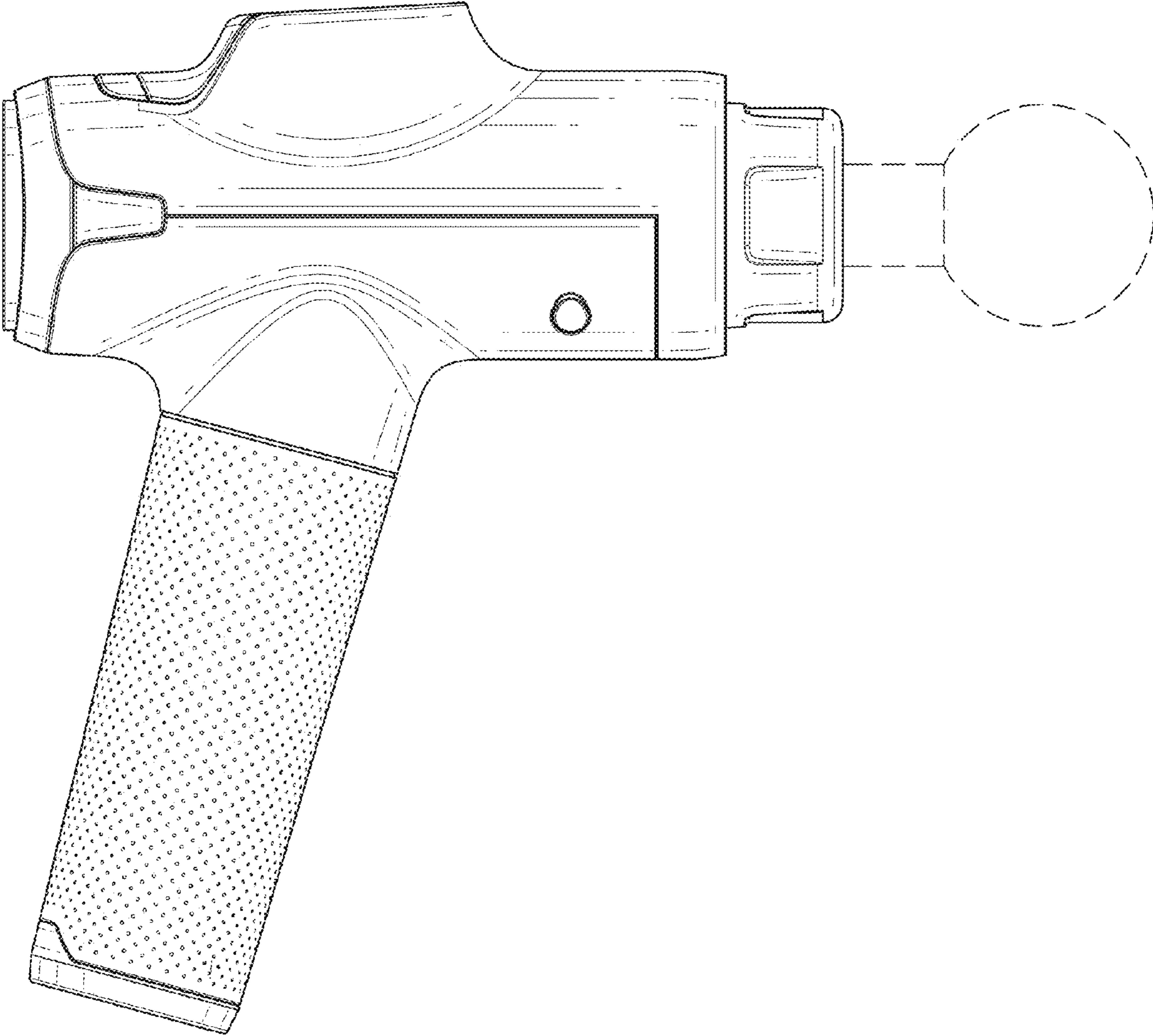


FIG. 3

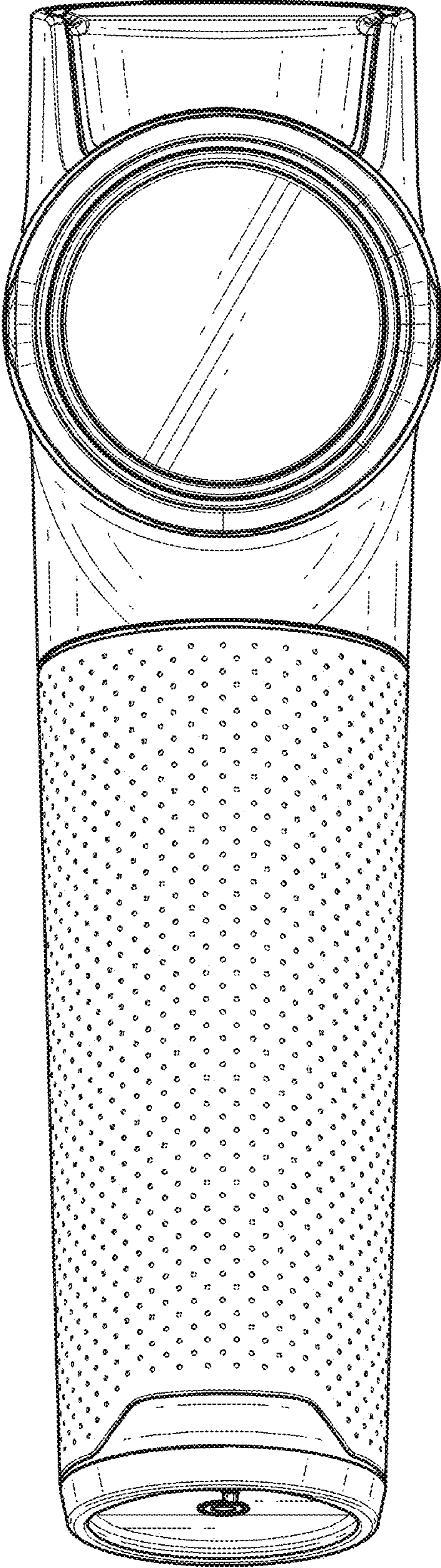


FIG. 4

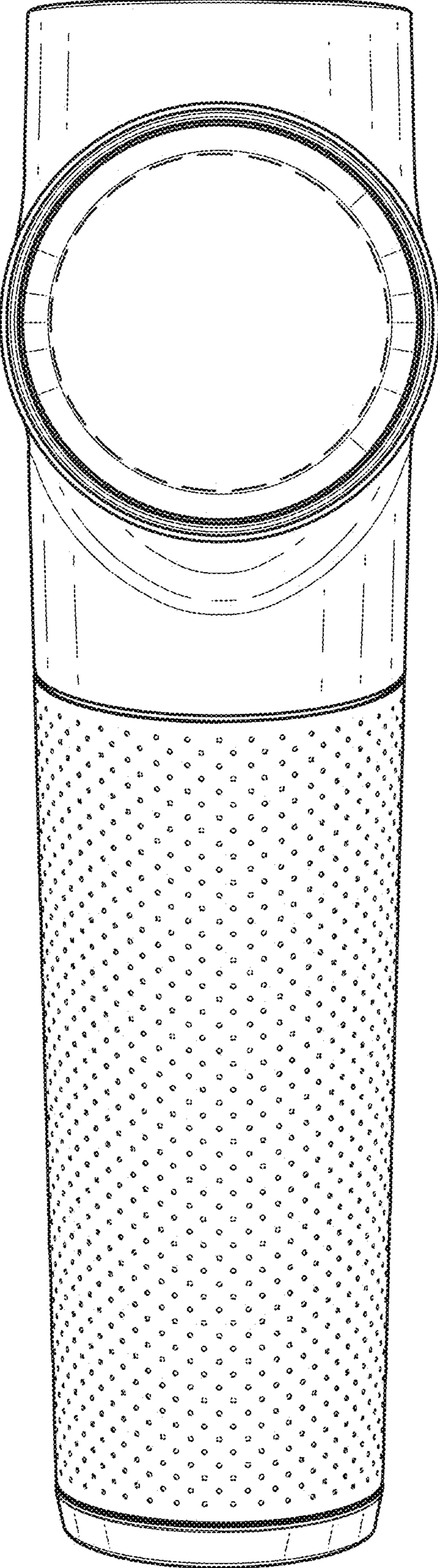


FIG. 5

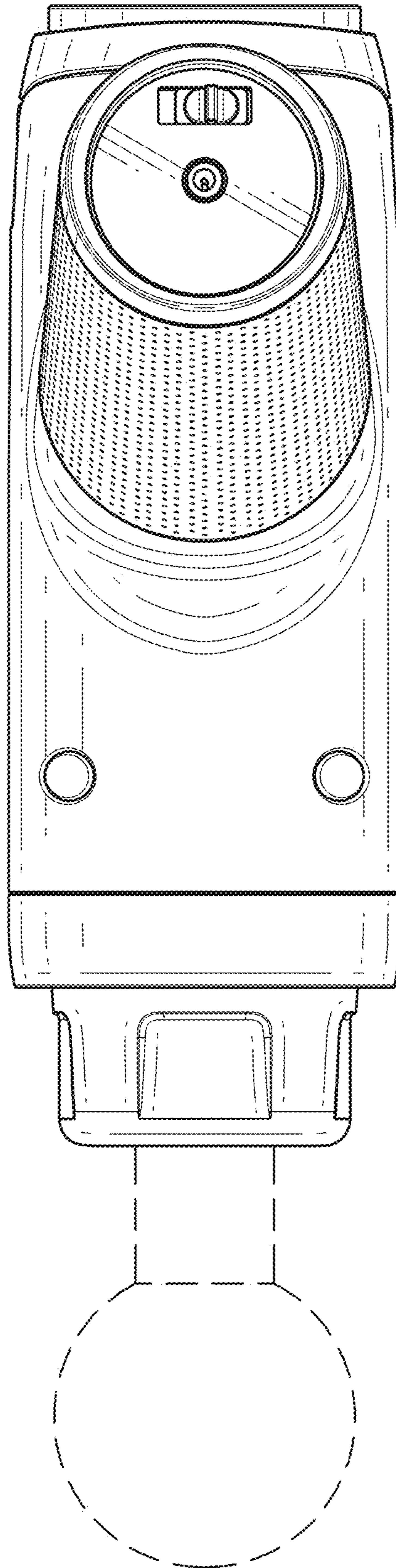


FIG. 6

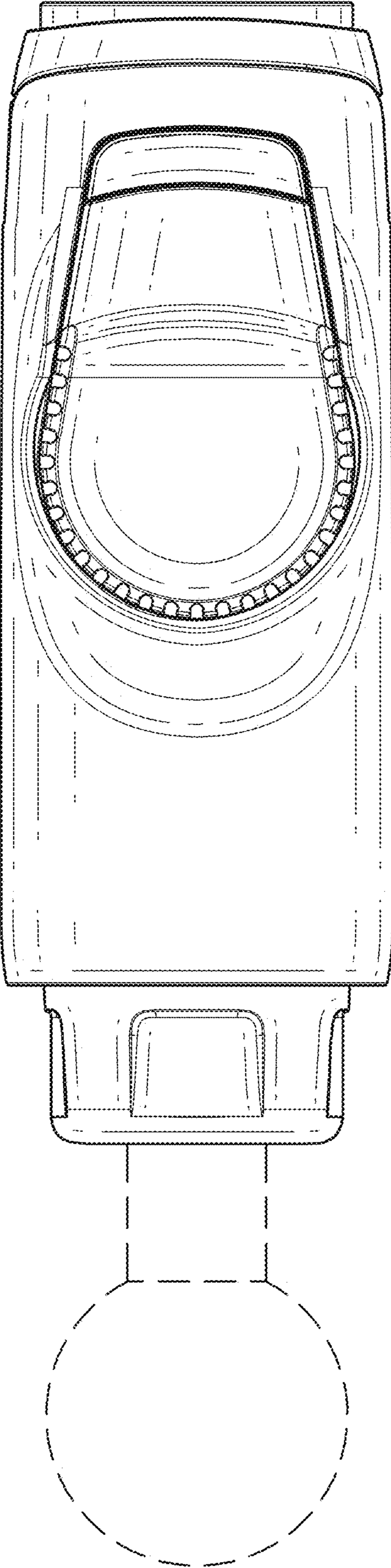


FIG. 7