



US00D987841S

(12) **United States Design Patent** (10) **Patent No.:** **US D987,841 S**  
**Liu** (45) **Date of Patent:** **\*\* May 30, 2023**

- (54) **FASCIA GUN**
- (71) Applicant: **Wenwu Liu**, Shenzhen (CN)
- (72) Inventor: **Wenwu Liu**, Shenzhen (CN)
- (\*\*) Term: **15 Years**
- (21) Appl. No.: **29/797,603**
- (22) Filed: **Jul. 1, 2021**
- (51) **LOC (14) Cl.** ..... **28-03**
- (52) **U.S. Cl.**  
USPC ..... **D24/215**
- (58) **Field of Classification Search**  
USPC ..... D24/215, 200, 211, 212, 213, 214, 133,  
D24/107, 231, 184, 209, 206; D8/14.1,  
D8/61; D28/12, 13  
CPC ..... A61H 7/00; A61H 7/003; A61H 7/004;  
A61H 9/00; A61H 15/00; A61H  
2015/0007; A61H 2015/0042; A61H  
2015/0071; A61H 15/0078; A61H  
15/0085; A61H 15/0092; A61H 23/00;  
A61H 23/02  
See application file for complete search history.

(56) **References Cited**

U.S. PATENT DOCUMENTS

D855,822 S	*	8/2019	Marton	.....	D24/215
D875,961 S	*	2/2020	Li	.....	D24/211
D895,831 S	*	9/2020	Chen	.....	D24/215
D898,933 S	*	10/2020	Xu	.....	D24/215
D907,229 S	*	1/2021	Zhang	.....	D24/215
D907,230 S	*	1/2021	Zhang	.....	D24/215
D908,908 S	*	1/2021	Xu	.....	D24/215
D917,060 S	*	4/2021	Hu	.....	D24/215
D921,917 S	*	6/2021	Xu	.....	D24/215
D933,844 S	*	10/2021	Chen	.....	D24/214

OTHER PUBLICATIONS

Bcamelys—Mini Massage Gun. Date: Sep. 16, 2021. [online]. [Site visited Jan. 6, 2023]. Available from Internet URL: <https://www.amazon.co.uk/dp/B08V17XR8B/> (Year: 2021).\*

Massagers. (Design—©Questel) orbit.com. 42 pgs. Print Dates Range Feb. 21, 2020-Nov. 17, 2020 [Retrieved Dec. 23, 2022] <https://www.orbit.com/export/UCZAH96B/pdf4/b72507b5-bb97-478b-9c06-832150c8786e-175336.pdf> (Year: 2022).\*

\* cited by examiner

*Primary Examiner* — Eliza Z Harvey  
*Assistant Examiner* — Landon Thomas Cassell  
(74) *Attorney, Agent, or Firm* — Zhigang Ma

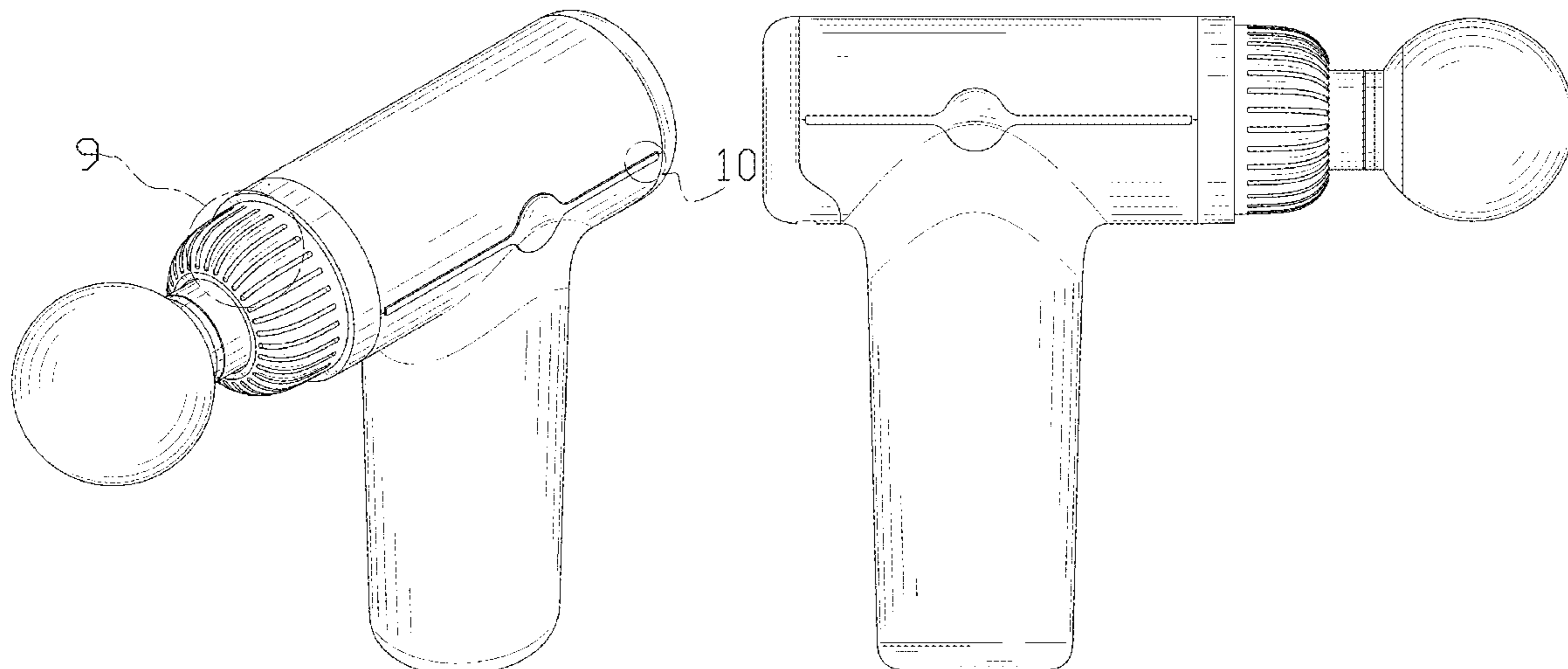
(57) **CLAIM**

The ornamental design for a fascia gun, as shown and described.

**DESCRIPTION**

FIG. 1 is a front perspective view of a fascia gun showing the claimed design;  
FIG. 2 is a bottom perspective view seen from a bottom side thereof;  
FIG. 3 is a front elevational view thereof;  
FIG. 4 is a rear elevational view thereof;  
FIG. 5 is a left side elevational view thereof;  
FIG. 6 is a right side elevational view thereof;  
FIG. 7 is a top plan view thereof;  
FIG. 8 is a bottom plan view thereof;  
FIG. 9 is a partial enlarged view of the part as designated by label 9 in FIG. 1; and,  
FIG. 10 is another partial enlarged view of the part as designated by label 10 in FIG. 1.  
The broken lines immediately adjacent to the claimed portions as shown in the drawings represent the boundaries of the claimed design and form no part thereof. The unevenly spaced dot-dashed broken lines in FIGS. 1, 9, and 10 depict boundaries of the enlarged figures and form no part of the claimed design.

**1 Claim, 10 Drawing Sheets**



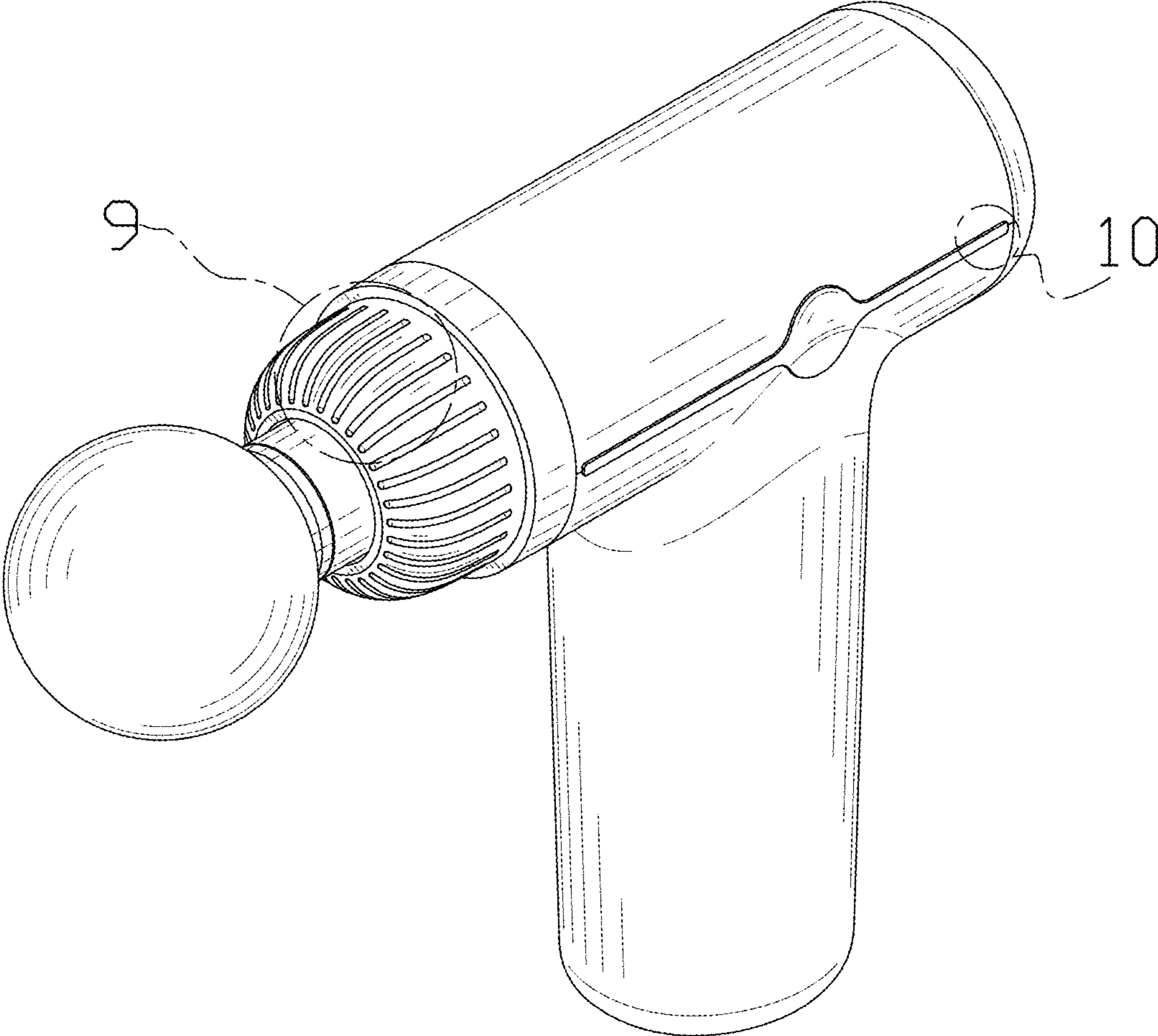


FIG. 1

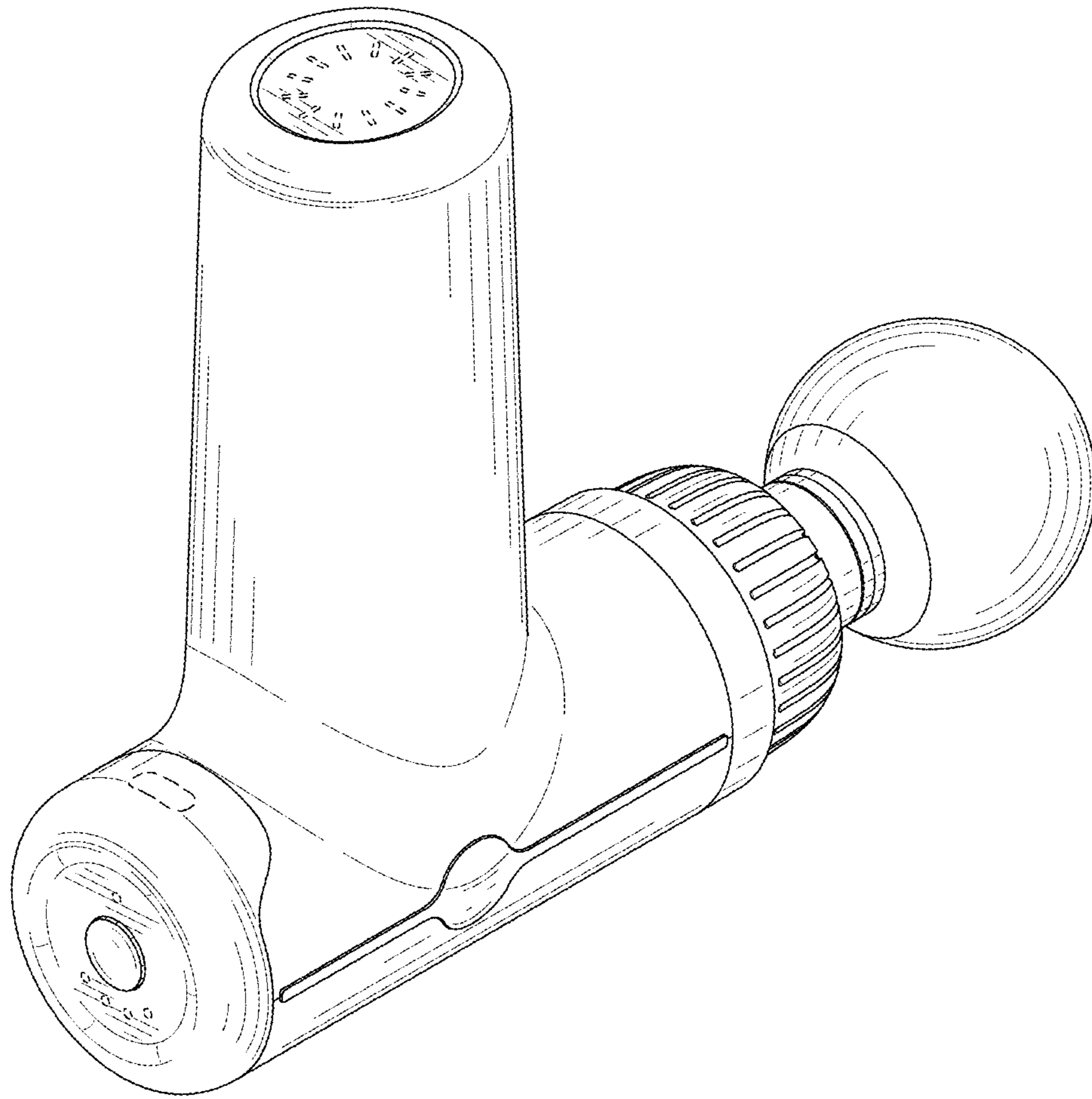


FIG. 2

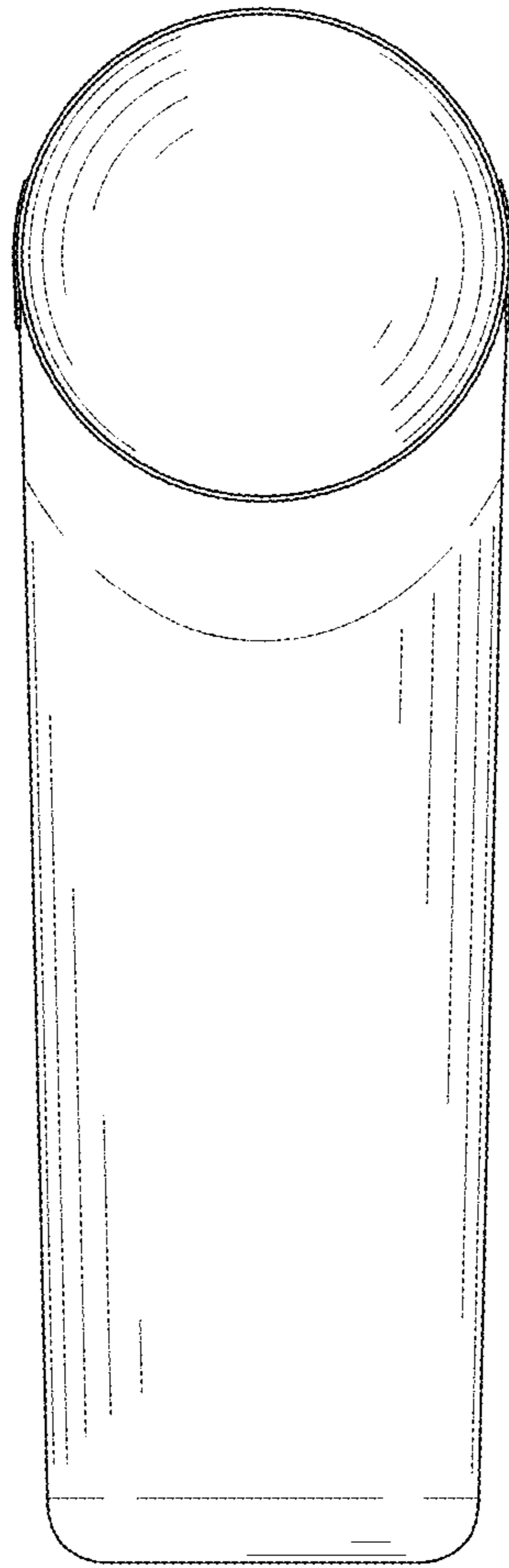


FIG. 3

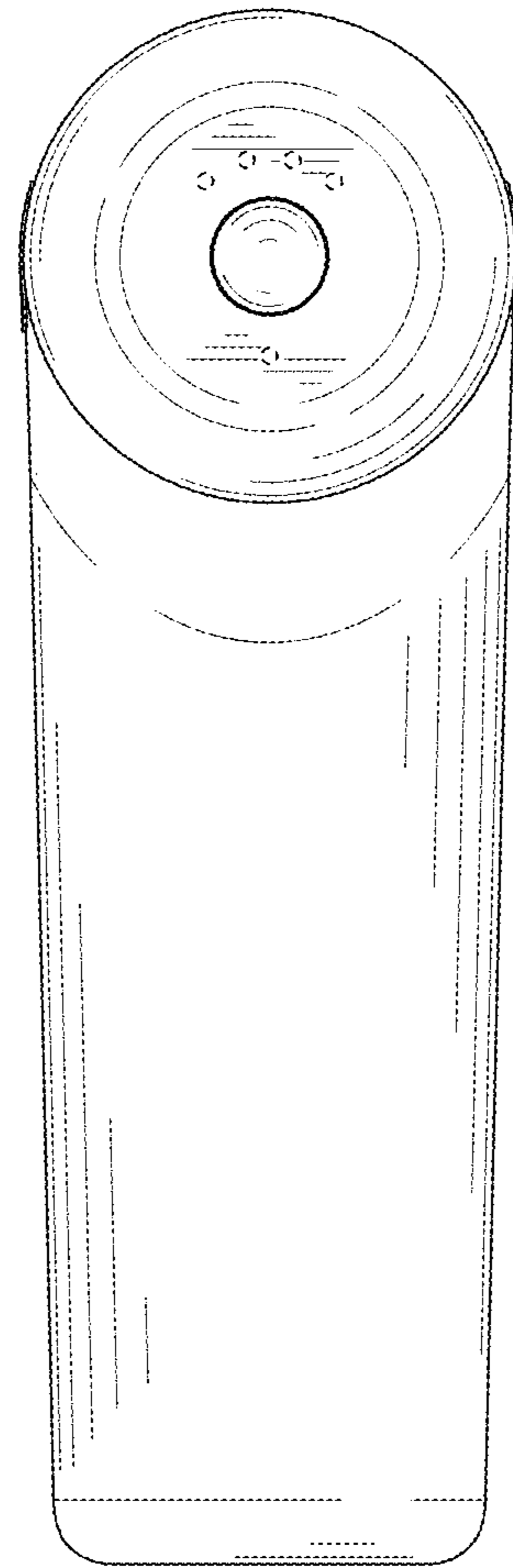


FIG. 4

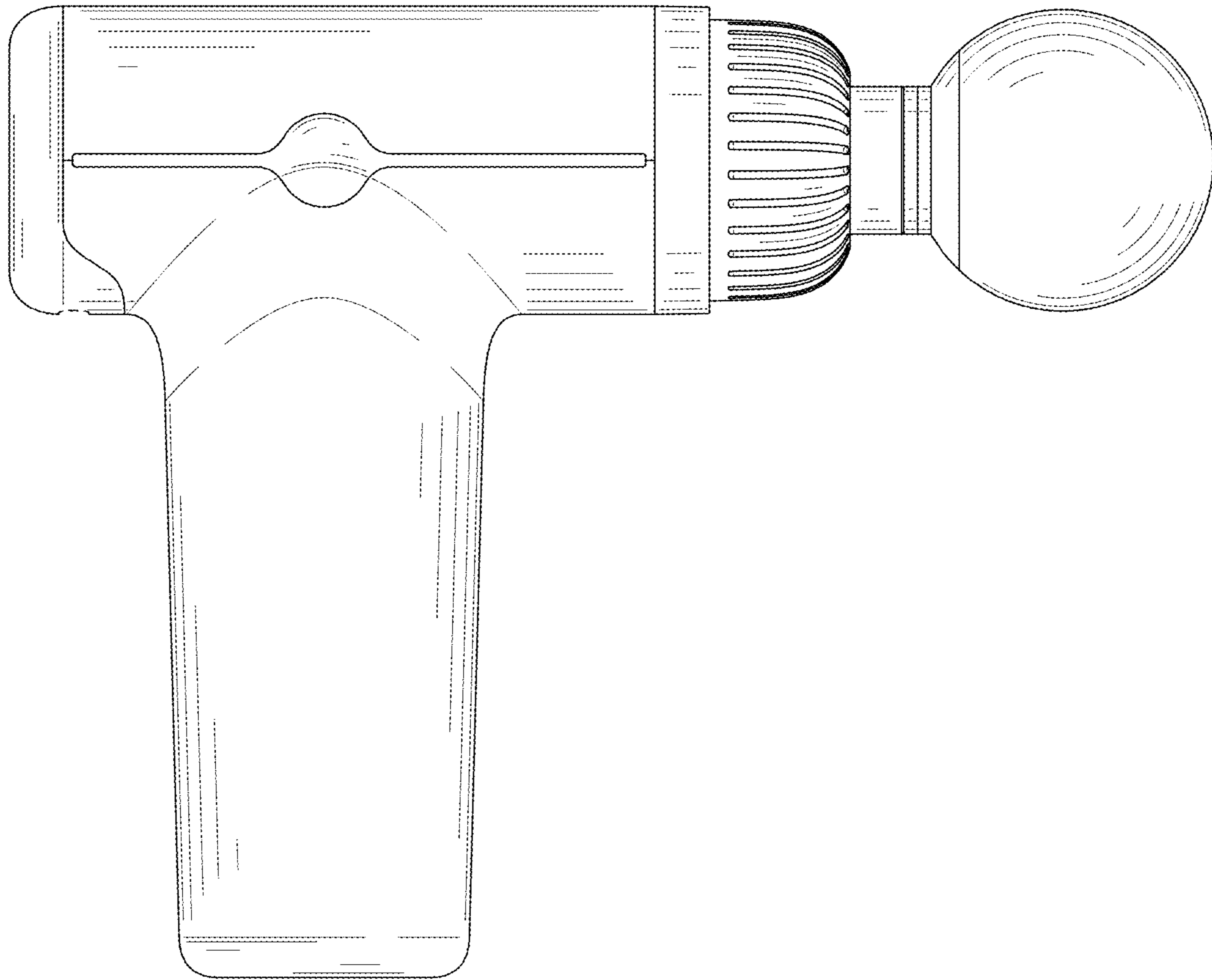


FIG. 5

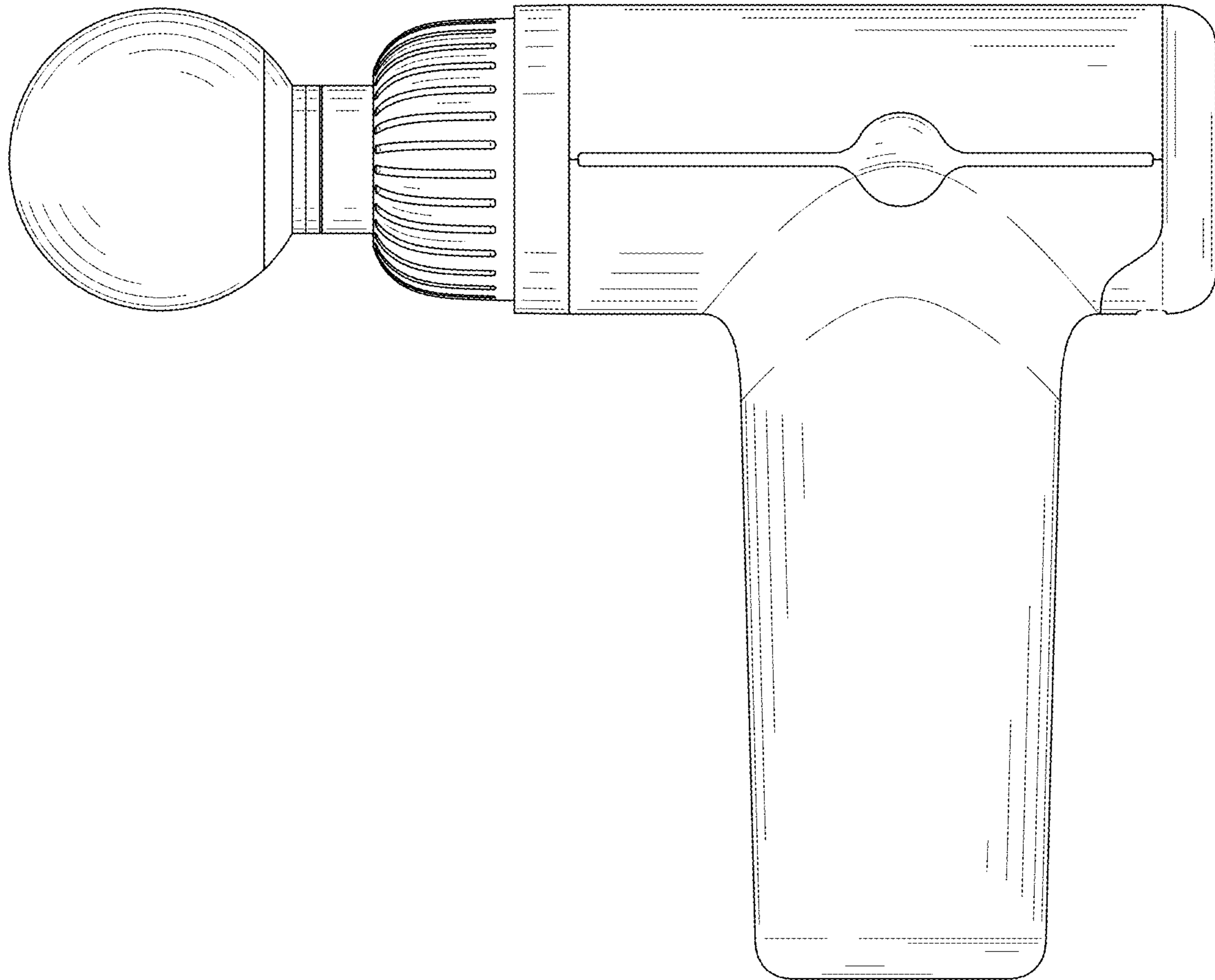


FIG. 6

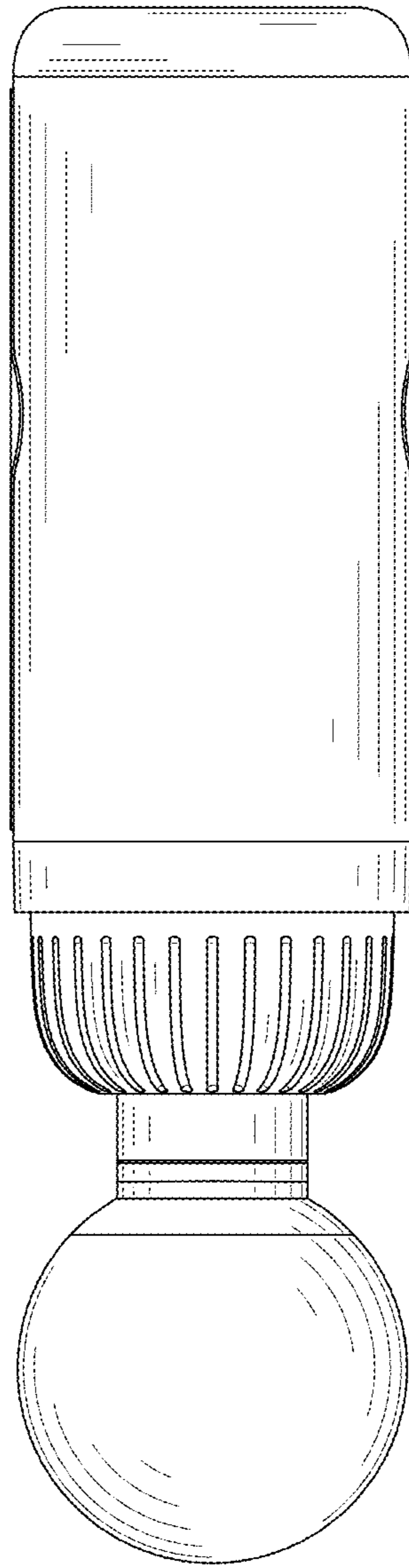


FIG. 7



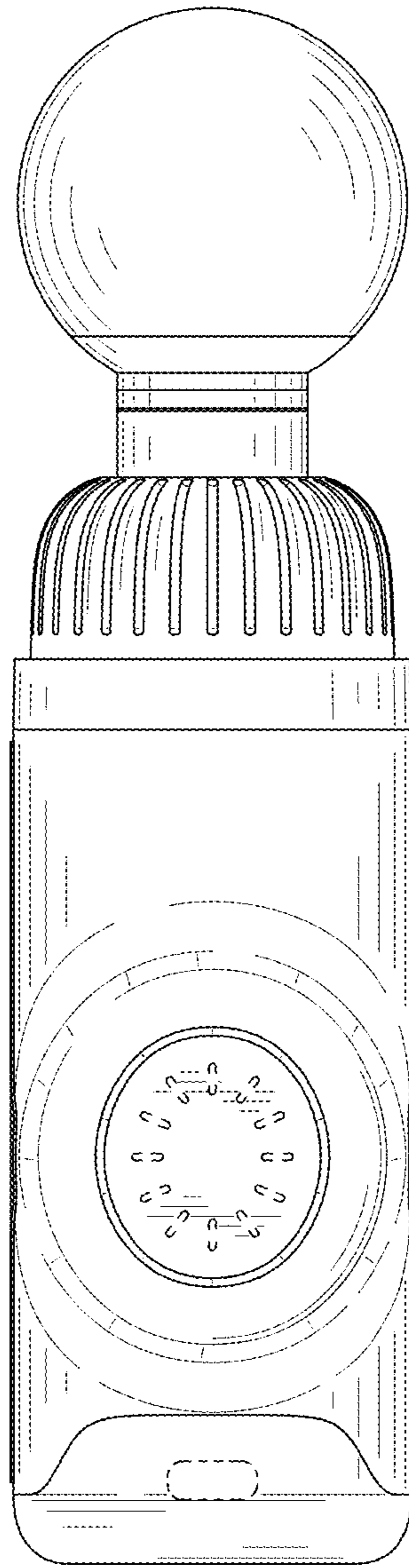


FIG. 8

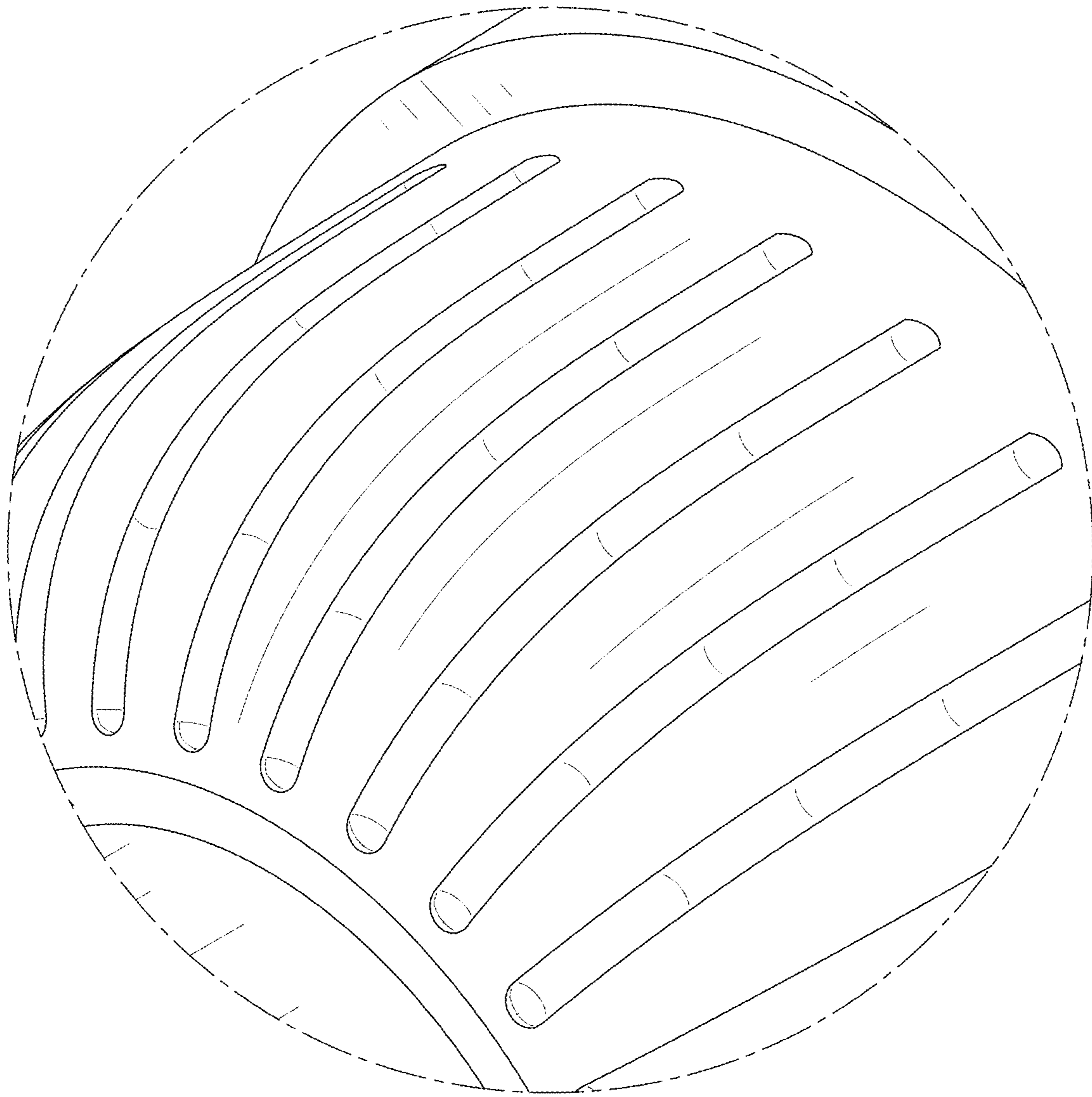


FIG. 9

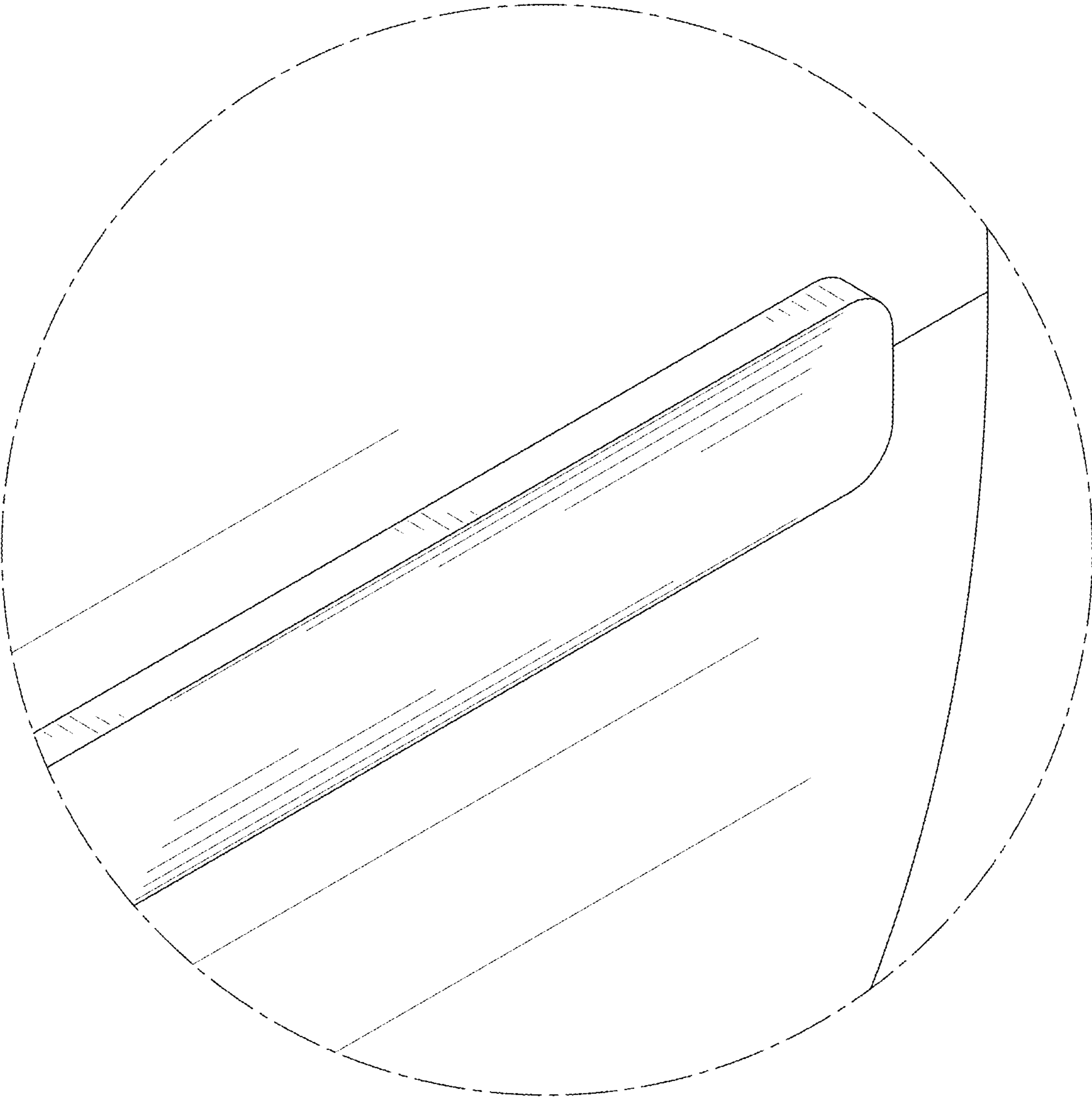


FIG. 10