



US00D987840S

(12) **United States Design Patent** (10) **Patent No.:** **US D987,840 S**
Liu (45) **Date of Patent:** **** May 30, 2023**

(54) **FASCIA GUN**

OTHER PUBLICATIONS

(71) Applicant: **Wenwu Liu**, Shenzhen (CN)

Kratos—Handheld Massage Gun. Date: Nov. 12, 2020. [online]. [Site visited Nov. 14, 2022]. Available from Internet URL: <https://www.amazon.co.uk/dp/B08NC4BHP2/> (Year: 2020).*

(72) Inventor: **Wenwu Liu**, Shenzhen (CN)

Massage guns. (Design—© Questel) orbit.com. [Online PDF compilation of references] 29 pgs. Print Dates Range Feb. 28, 2020-Jul. 20, 2021 [Retrieved Nov. 14, 2022] <https://www.orbit.com/export/UCZAH96B/pdf4/bae69428-fdd4-4307-82bf-ac98b08105fd-222726.pdf> (Year: 2022).*

(**) Term: **15 Years**

(21) Appl. No.: **29/797,600**

* cited by examiner

(22) Filed: **Jul. 1, 2021**

(51) **LOC (14) Cl.** **28-03**

Primary Examiner — Eliza Z Harvey

(52) **U.S. Cl.**

Assistant Examiner — Landon Thomas Cassell

USPC **D24/215**

(74) *Attorney, Agent, or Firm* — Zhigang Ma

(58) **Field of Classification Search**

(57) **CLAIM**

USPC D24/215, 200, 211, 212, 213, 214, 133,
D24/107, 231, 184, 209, 206; D8/14.1,
D8/61; D28/12, 13

The ornamental design for a fascia gun, as shown and described.

CPC A61H 7/00; A61H 7/003; A61H 7/004;
A61H 9/00; A61H 15/00; A61H
2015/0007; A61H 2015/0042; A61H
2015/0071; A61H 15/0078; A61H
15/0085; A61H 15/0092; A61H 23/00;
A61H 23/02

DESCRIPTION

See application file for complete search history.

FIG. 1 is a front perspective view of a fascia gun showing the claimed design;
FIG. 2 is a bottom perspective view seen from a bottom side thereof;
FIG. 3 is a front view thereof;
FIG. 4 is a rear view thereof;
FIG. 5 is a left side view thereof;
FIG. 6 is a right side view thereof;
FIG. 7 is a top view thereof;
FIG. 8 is a bottom view thereof; and,
FIG. 9 is a partial enlarged view of the part as designated by label 9 in FIG. 1.

(56) **References Cited**

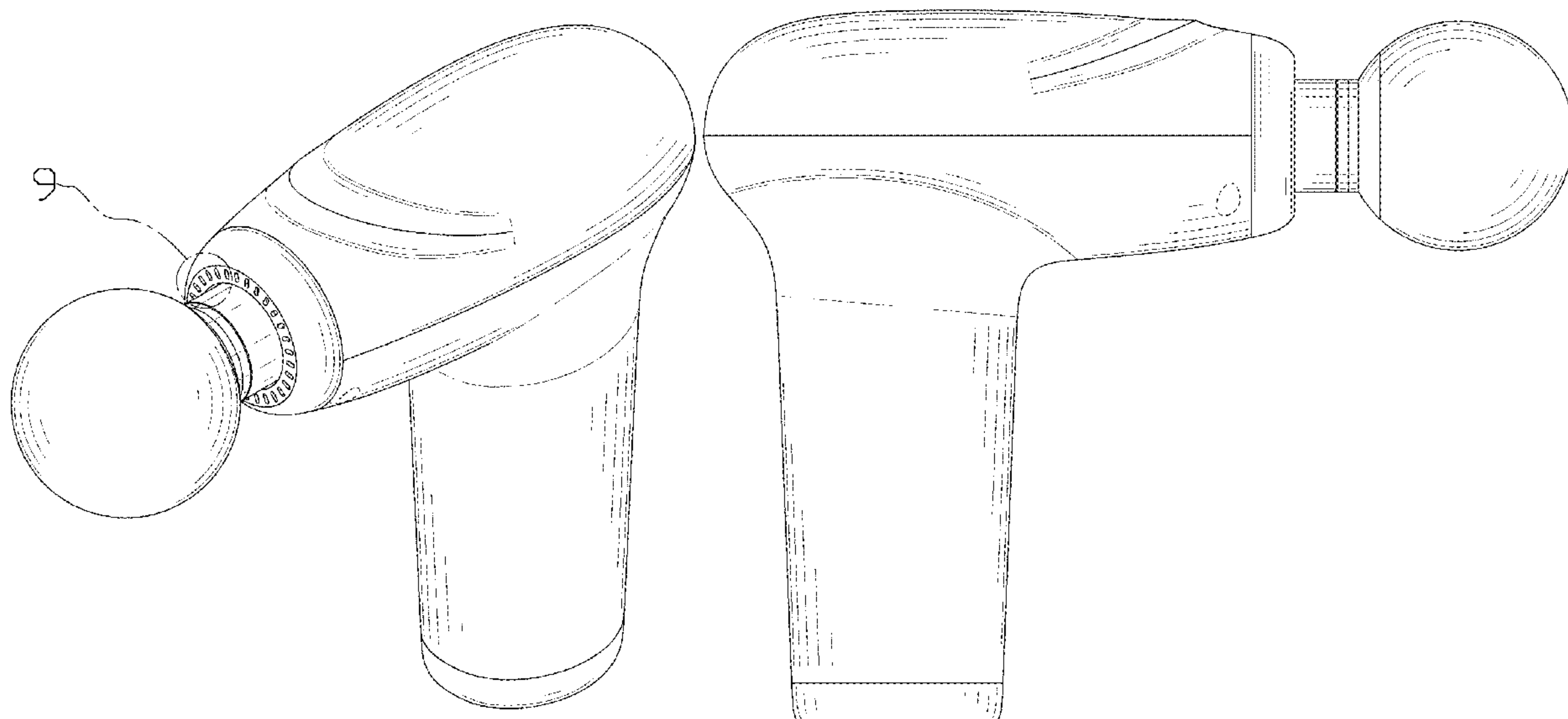
U.S. PATENT DOCUMENTS

D254,328	S	*	2/1980	Benty	D28/16
D561,392	S	*	2/2008	Ceva	D28/13
D829,519	S	*	10/2018	Teraoka	D8/29.1
D843,656	S	*	3/2019	Zhang	D24/209
D884,205	S	*	5/2020	Zhuang	D24/215
D895,897	S	*	9/2020	Huang	D24/209
D912,267	S	*	3/2021	Tang	D24/215
D921,917	S	*	6/2021	Xu	D24/215
D924,422	S	*	7/2021	Huang	D24/215
D949,421	S	*	4/2022	Luo	D24/215
2021/0121360	A1	*	4/2021	Xie	A61H 23/00
2021/0196562	A1	*	7/2021	Zhao	A61H 23/006

The broken lines immediately adjacent to the claimed portions as shown in the drawings represent the boundaries of the claimed design and form no part thereof.

The unevenly spaced dot-dash broken lines in FIG. 1 and FIG. 9 depict the bounds of the enlargement and form no part of the claimed design.

1 Claim, 9 Drawing Sheets



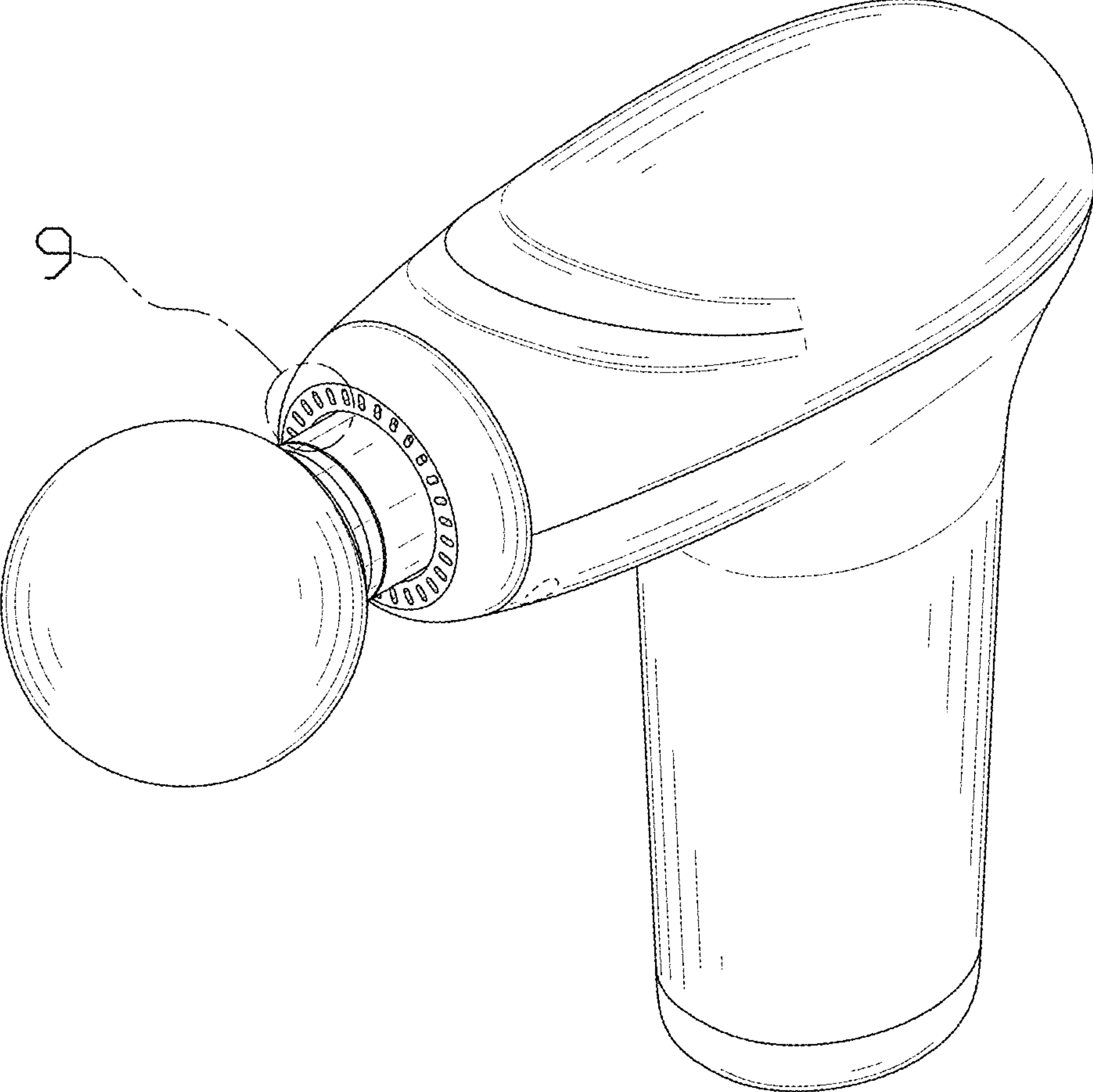


FIG. 1

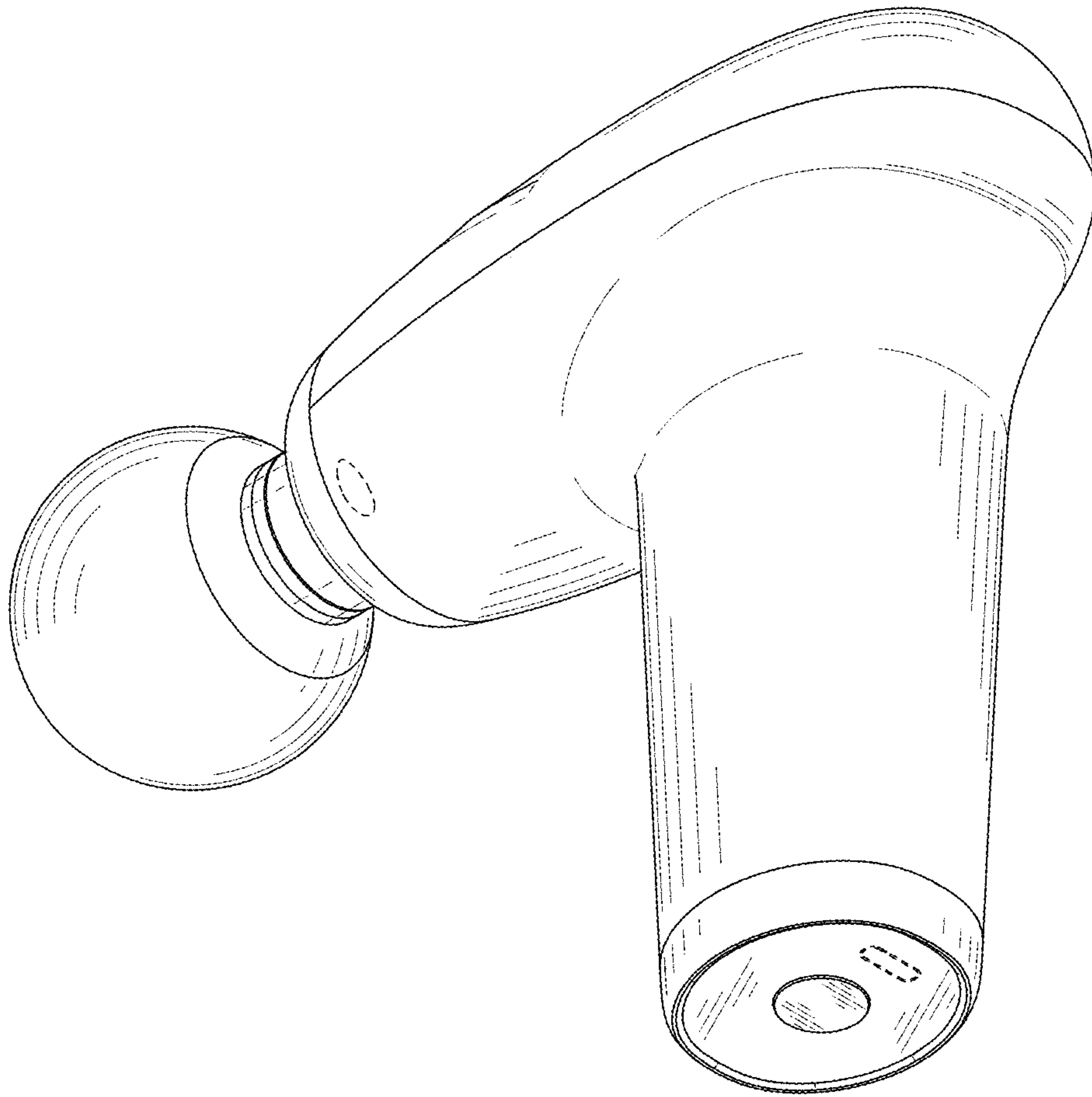


FIG. 2

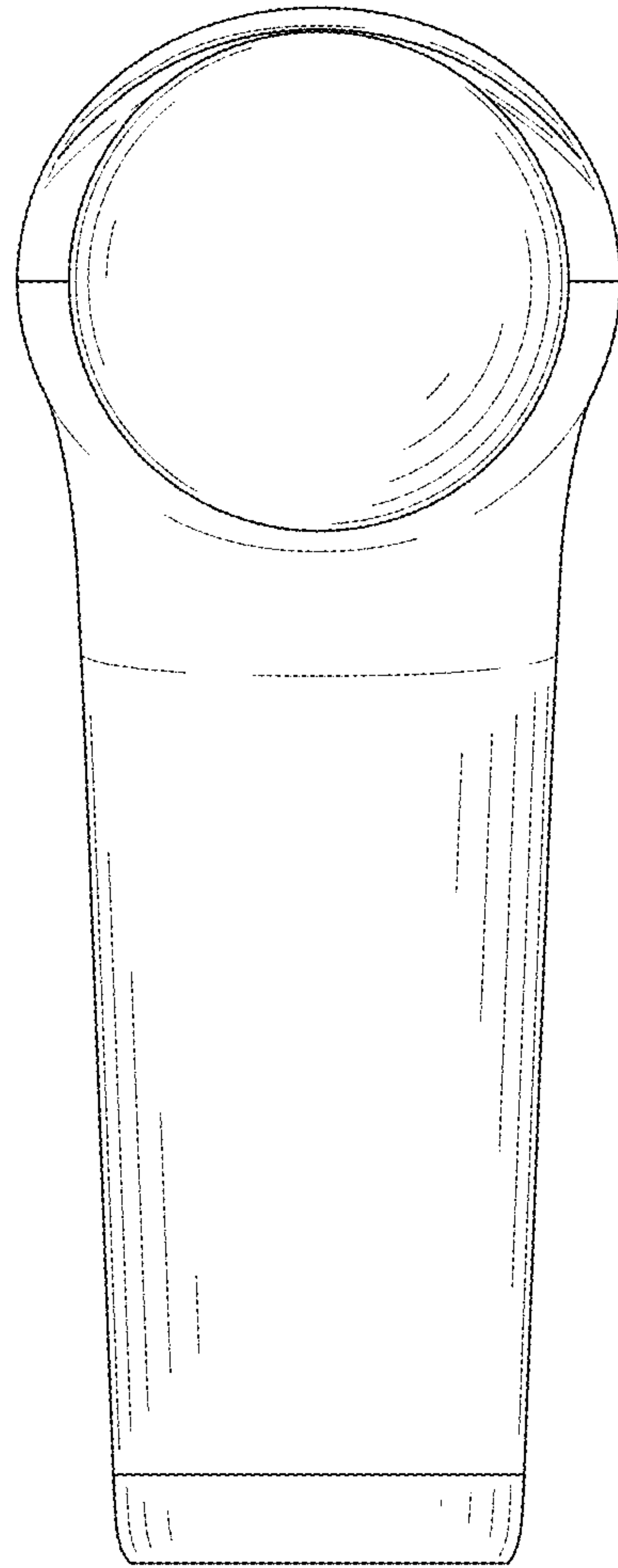


FIG. 3

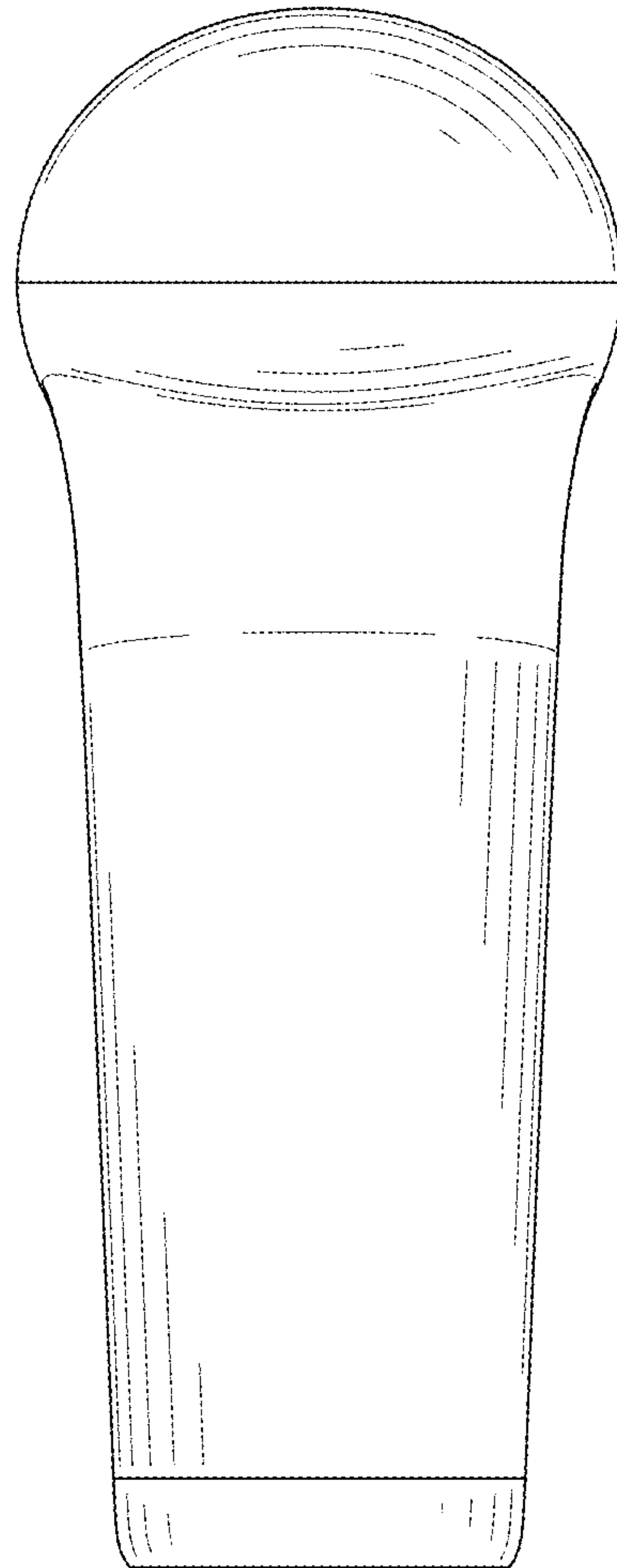


FIG. 4

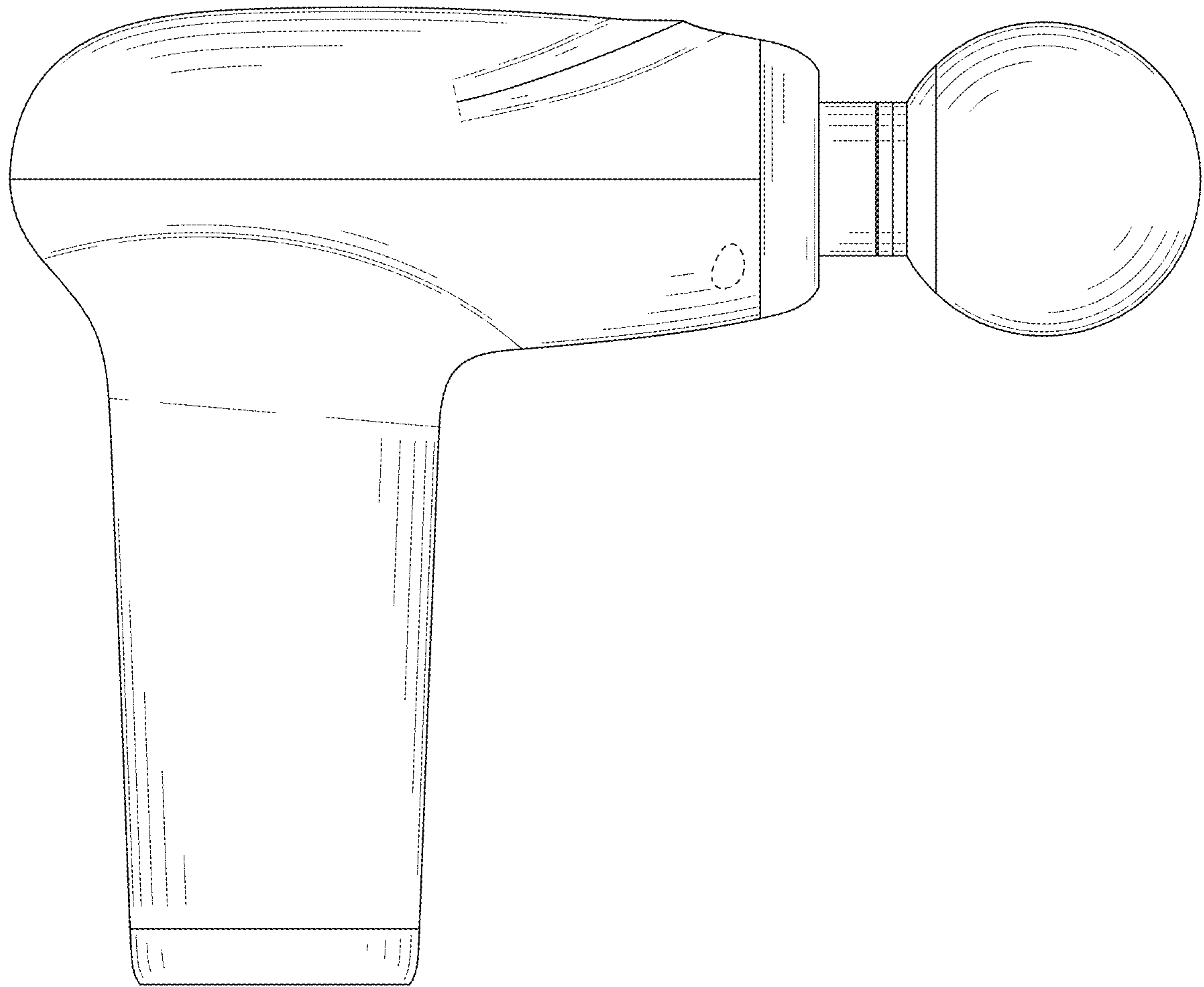


FIG. 5

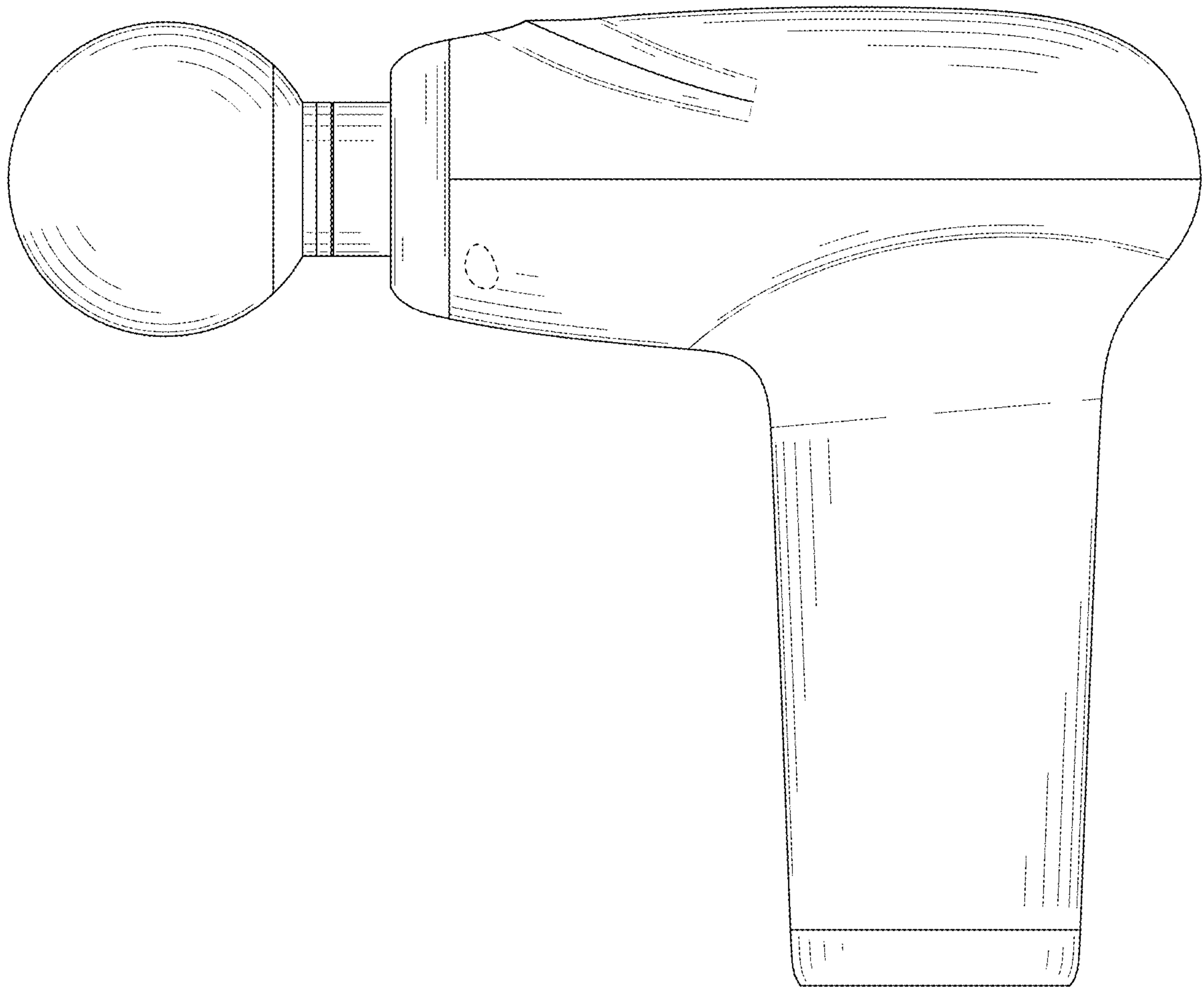


FIG. 6

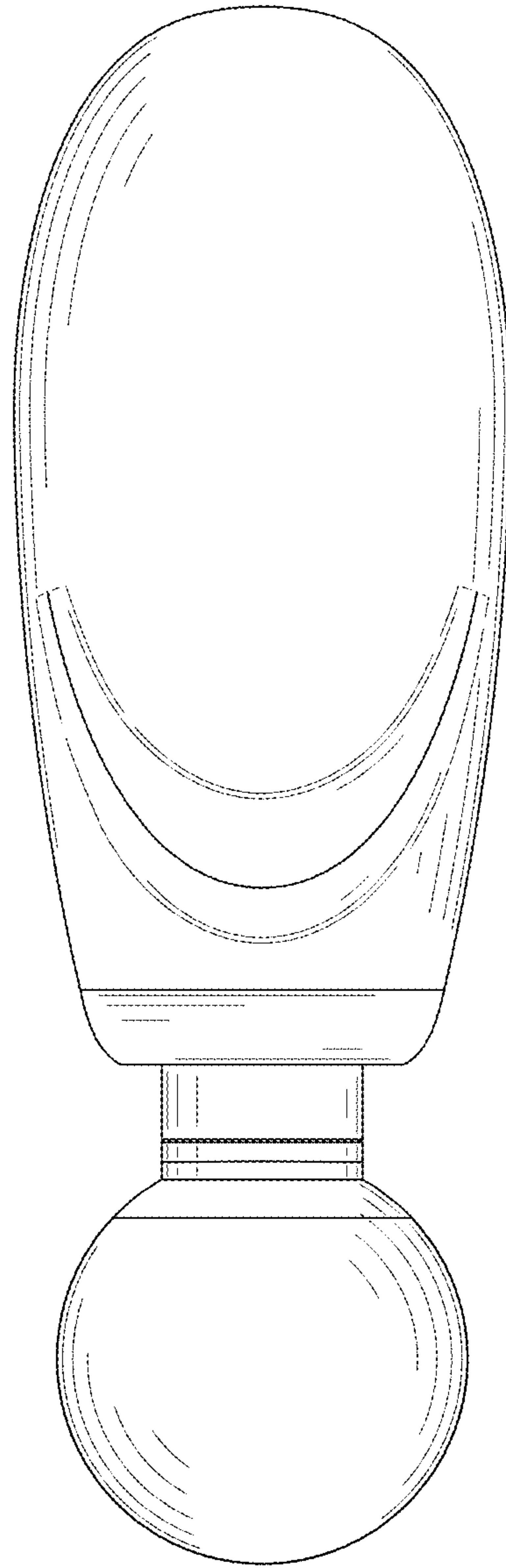


FIG. 7

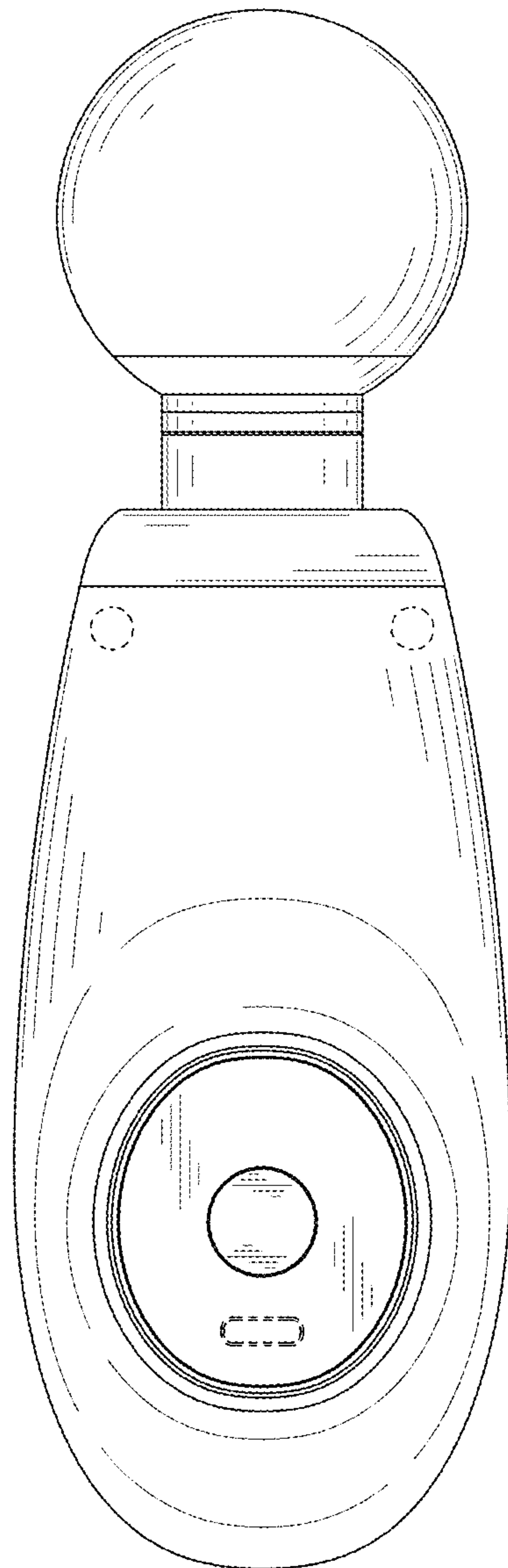


FIG. 8

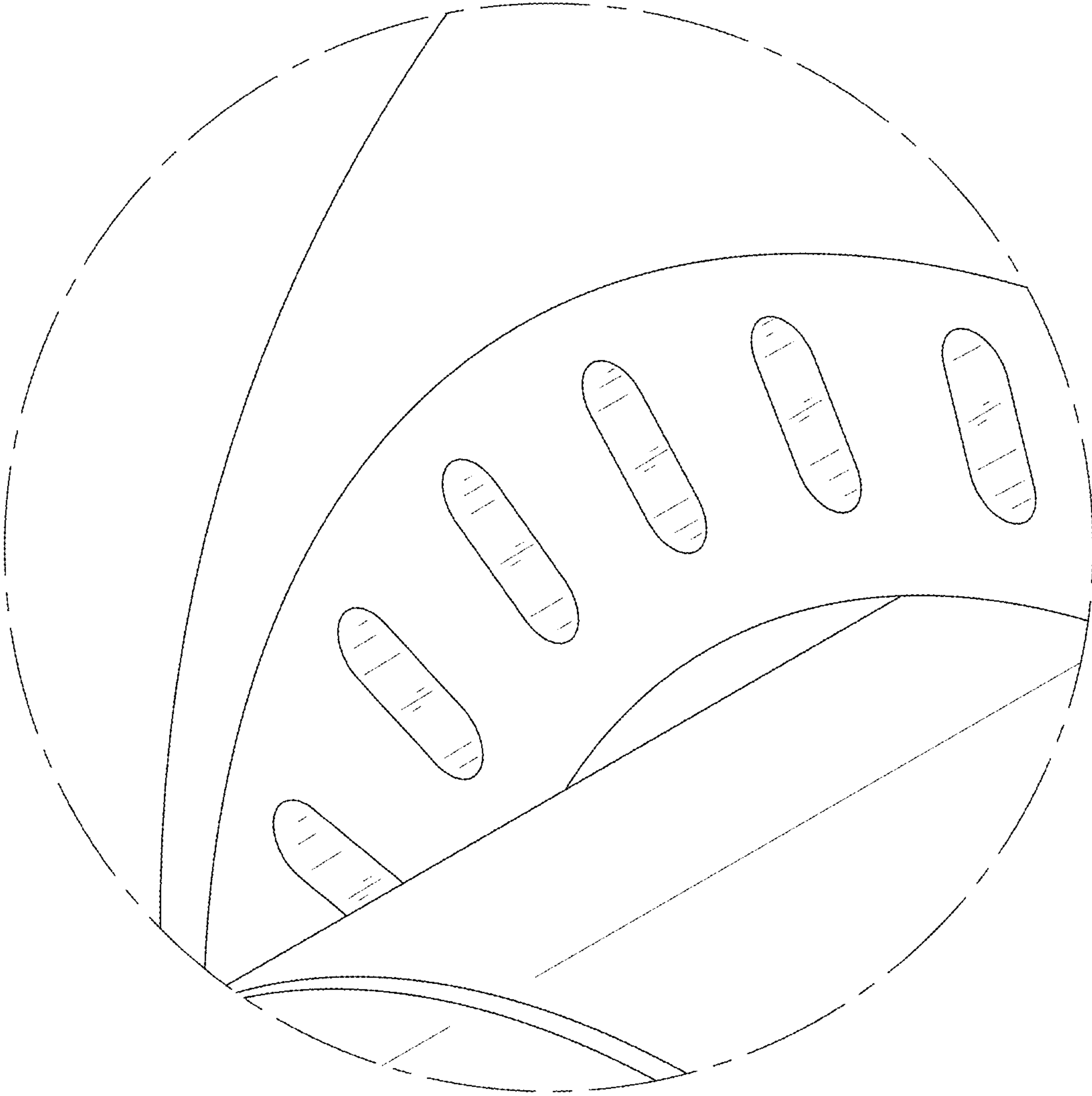


FIG. 9