



US00D987839S

(12) **United States Design Patent** (10) **Patent No.:** **US D987,839 S**
Wang (45) **Date of Patent:** **** May 30, 2023**

(54) **MESSAGE ELEMENT**

(71) Applicant: **Yiqiang Wang**, Suzhou (CN)

(72) Inventor: **Yiqiang Wang**, Suzhou (CN)

(**) Term: **15 Years**

(21) Appl. No.: **29/791,007**

(22) Filed: **Dec. 24, 2021**

(51) **LOC (14) Cl.** **24-01**

(52) **U.S. Cl.**
USPC **D24/215**

(58) **Field of Classification Search**
USPC D24/200, 209, 211, 212, 213, 214, 215;
D7/393; D8/307, 310, 378; D9/435, 439
CPC A61H 2201/1685; A61H 23/006; A61H
2015/0042; A61H 37/00
See application file for complete search history.

(56) **References Cited**

U.S. PATENT DOCUMENTS

D716,465 S *	10/2014	Kanbar	A61H 19/40
				D24/215
D910,870 S *	2/2021	Marton	D24/215
D918,405 S *	5/2021	Wersland	D24/211
D931,492 S *	9/2021	Li	D24/215
D949,365 S *	4/2022	Li	D24/211
D949,366 S *	4/2022	Li	D24/211
D949,417 S *	4/2022	Khubani	D24/215
D952,878 S *	5/2022	Lin	D24/211
D961,795 S *	8/2022	Zhao	D24/215
2020/0222263 A1 *	7/2020	Wersland	A61H 1/008

OTHER PUBLICATIONS

Amazon, "Massage Gun Heads", Date First Available: Aug. 28, 2021. https://www.amazon.com/Hypervolt-Go%EF%BC%8CReplaceable-Attachment-Different-Percussion/dp/B09D8C1Q7J/ref=cm_cr_ar_p_d_product_top?ie=UTF8 (Year: 2021).*
Newtechfitness, "Massage Gun MINI3", Access Date: Feb. 14, 2023. <https://newtechfitness.com/product/massage-gun-mini3/> (Year: 2023).*

* cited by examiner

Primary Examiner — Michael A Maharajh

(74) *Attorney, Agent, or Firm* — Rumit R. Kanakia

(57) **CLAIM**

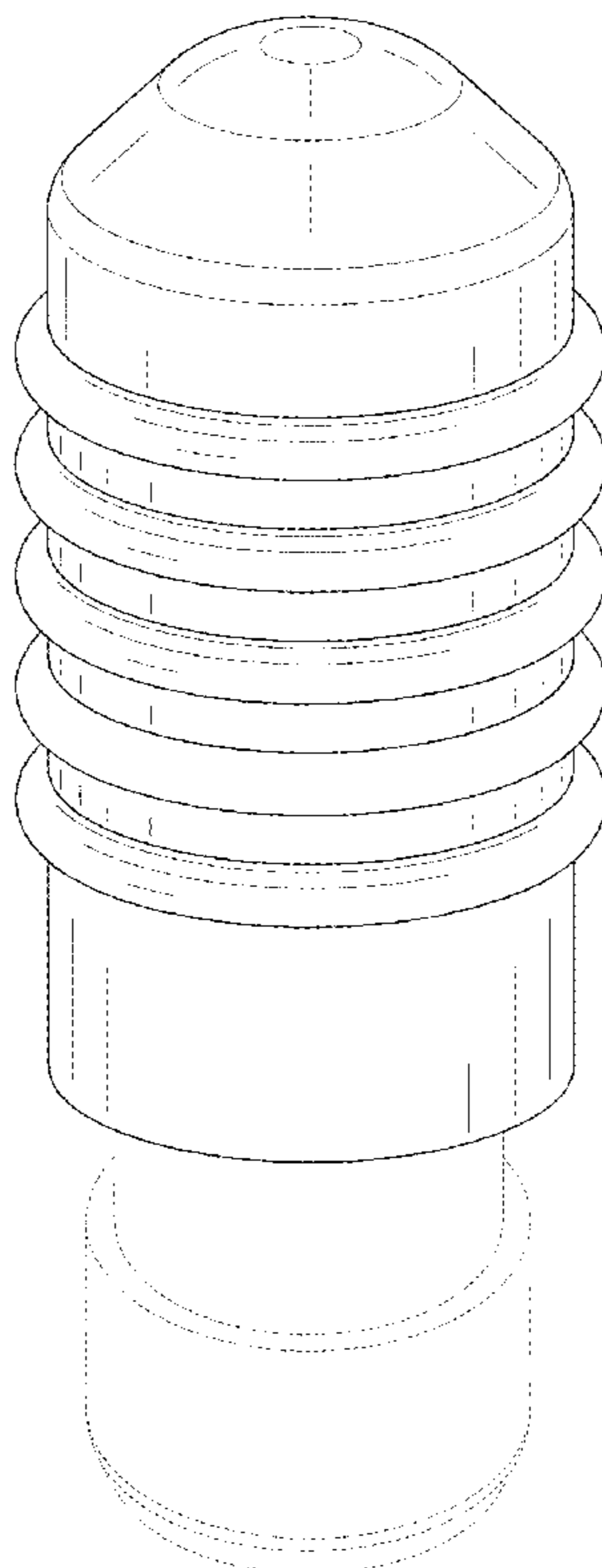
The ornamental design for a massage element, as shown and described.

DESCRIPTION

FIG. 1 is a first perspective view of a massage element showing my new design;
FIG. 2 is a second perspective view thereof;
FIG. 3 is a front view thereof;
FIG. 4 is a back view thereof;
FIG. 5 is a left side view thereof;
FIG. 6 is a right side view thereof;
FIG. 7 is a top view thereof; and,
FIG. 8 is a bottom view thereof.

The broken lines shown in the drawings depict portions of the massage element in which the design is embodied that form no part of the claimed design.

1 Claim, 8 Drawing Sheets



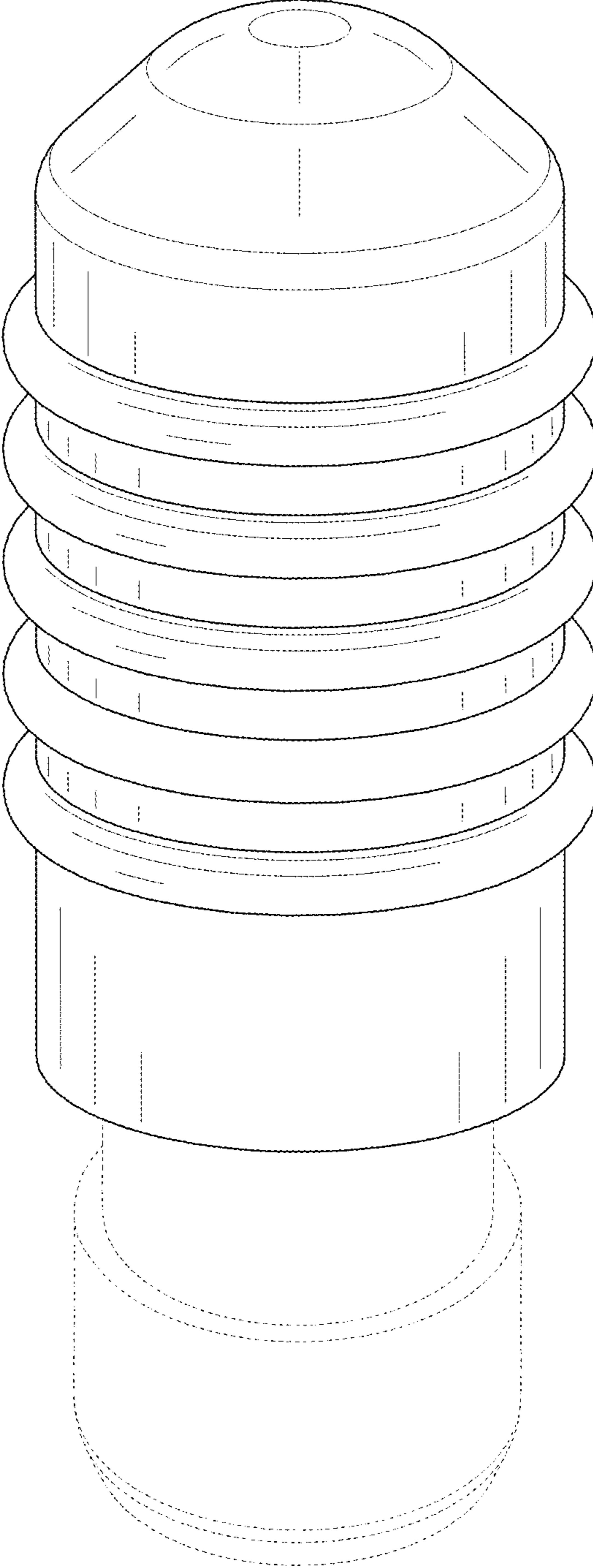


FIG. 1

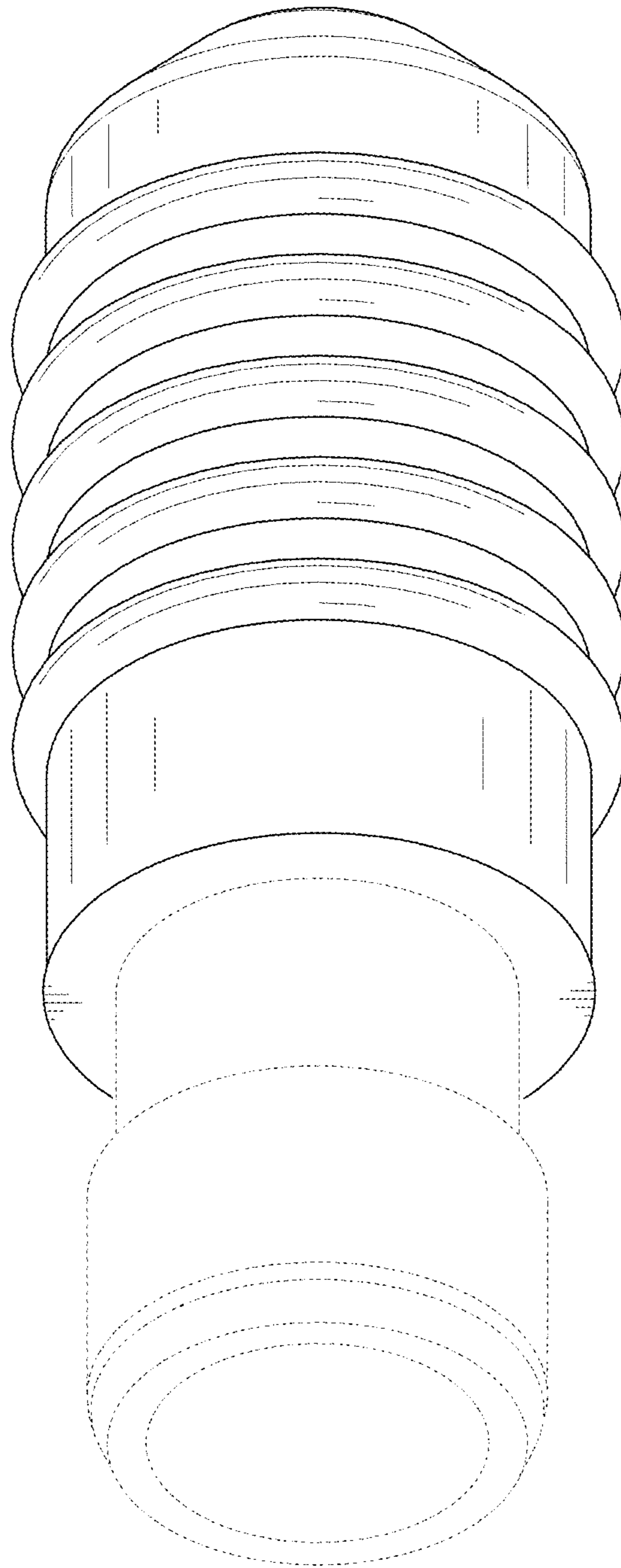


FIG. 2

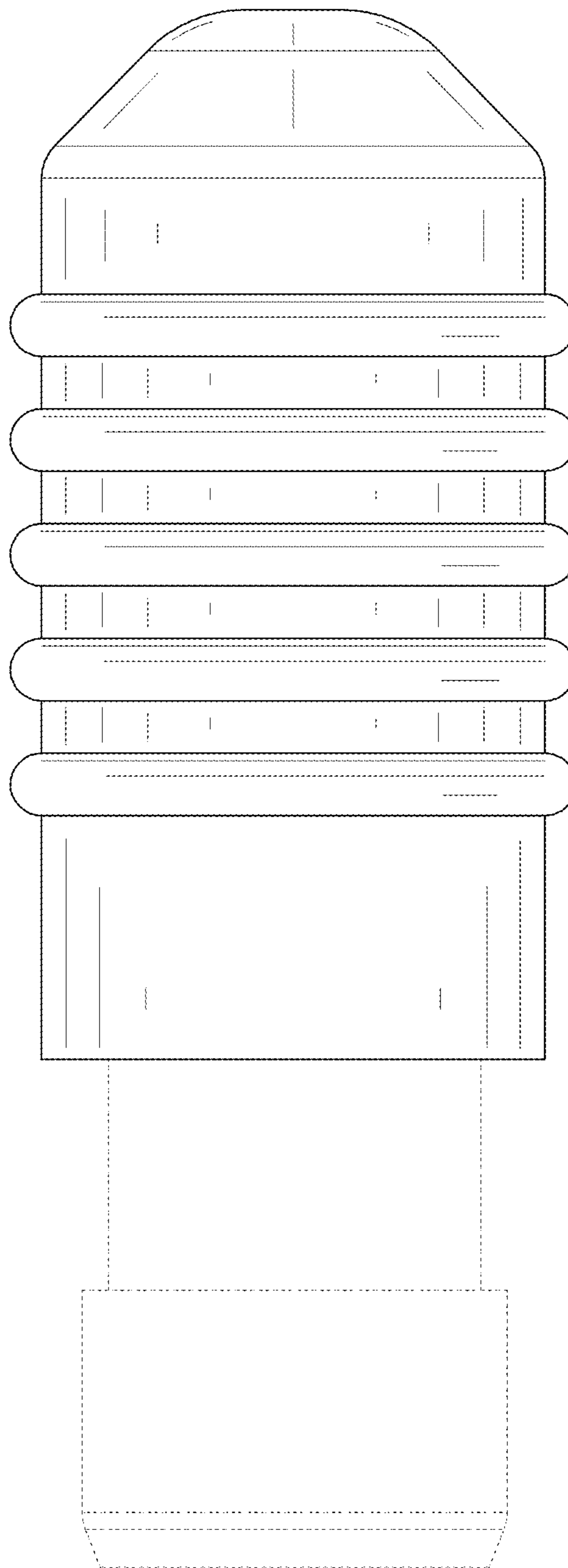


FIG. 3

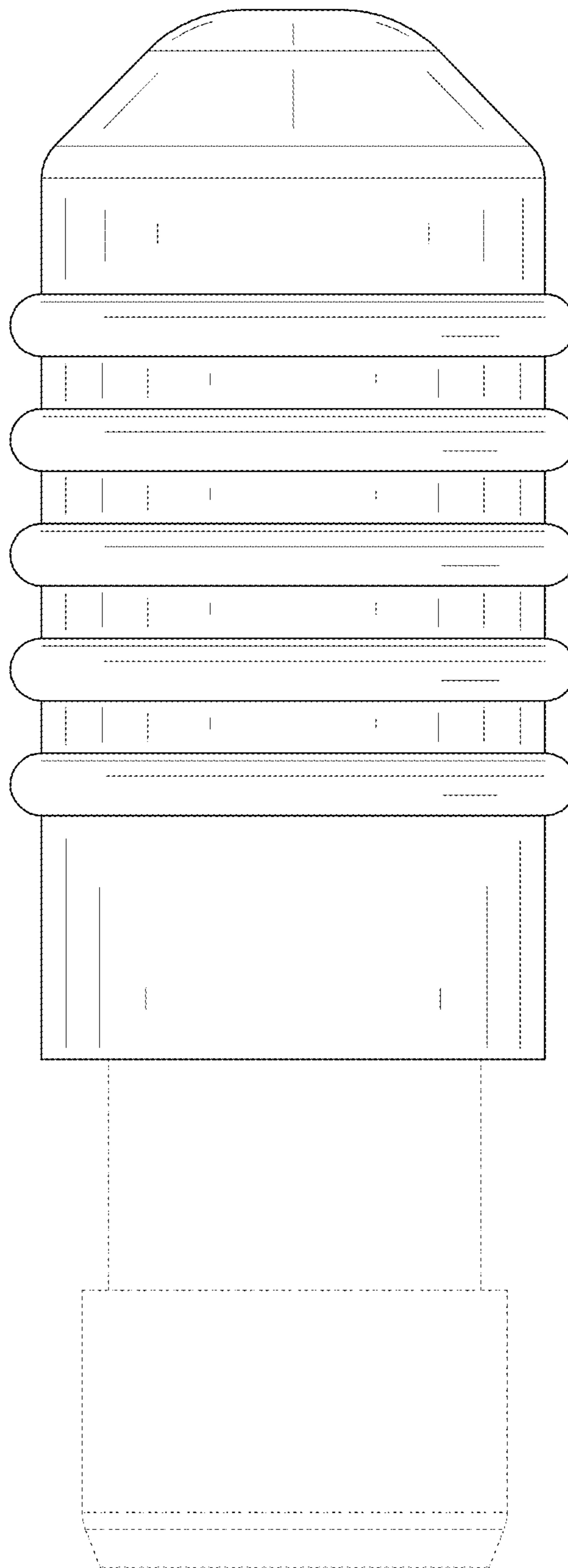


FIG. 4

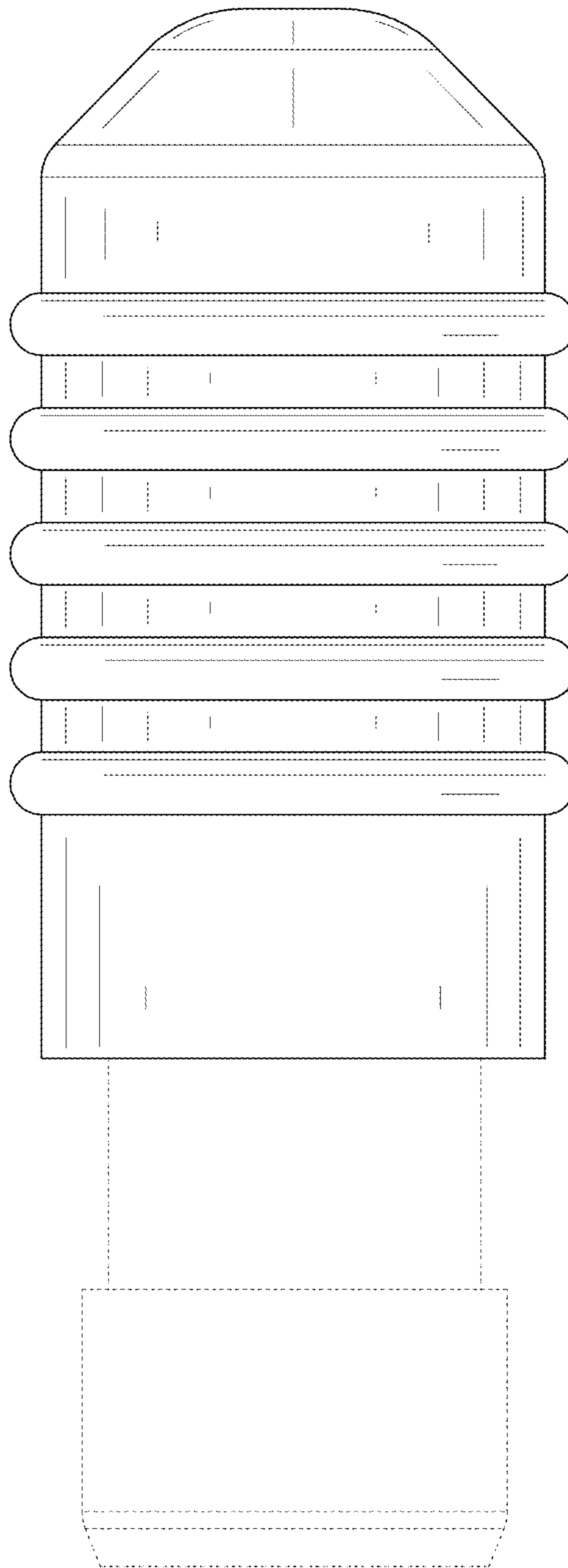


FIG. 5

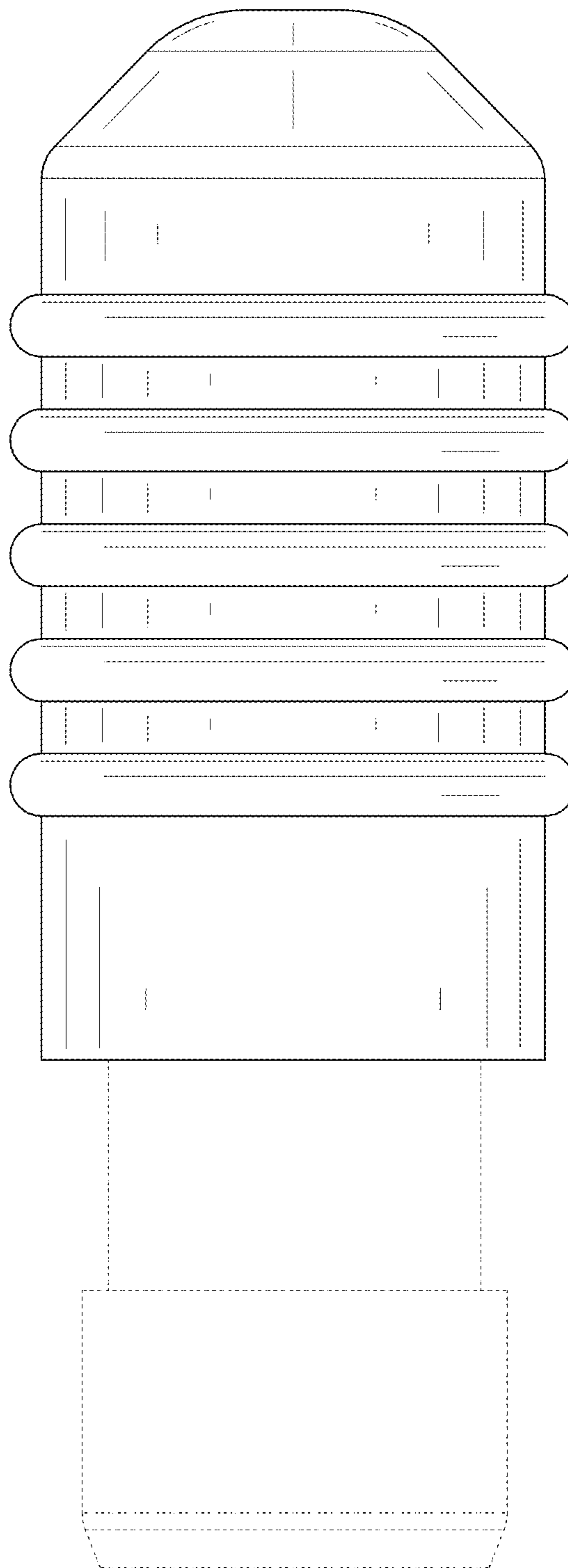


FIG. 6

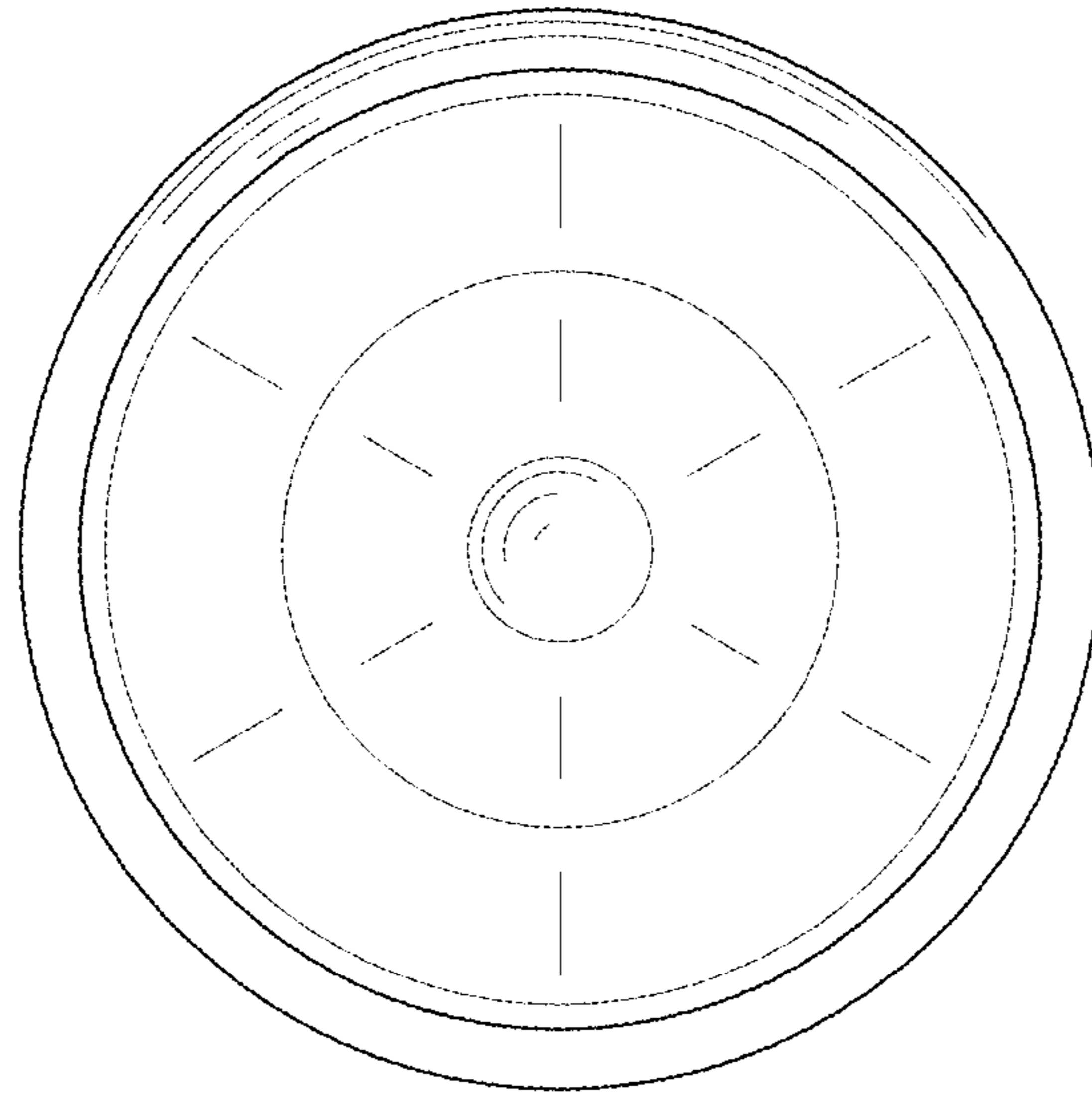


FIG. 7

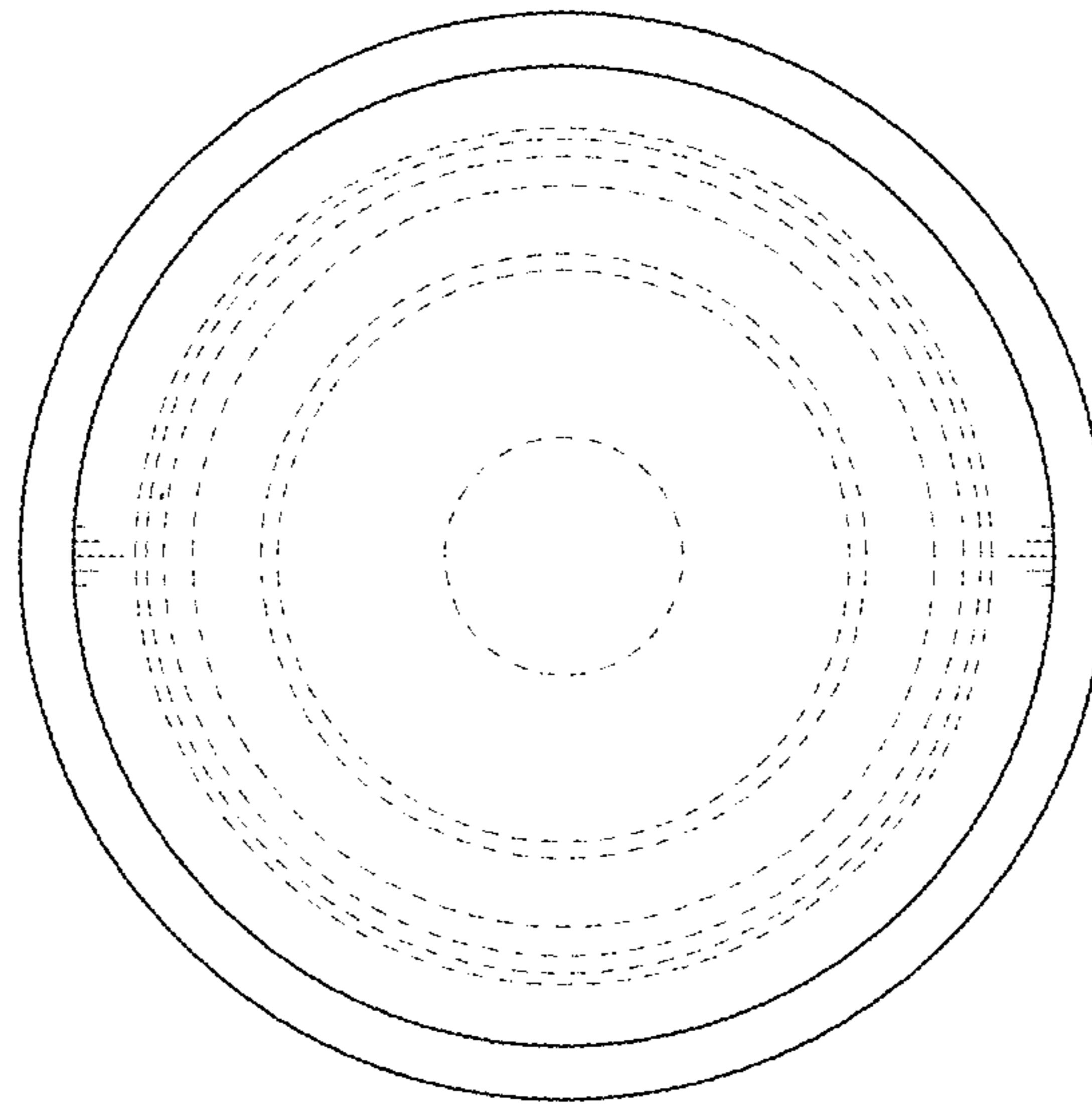


FIG. 8