



US00D987838S

(12) **United States Design Patent** (10) **Patent No.:** **US D987,838 S**  
**Wang** (45) **Date of Patent:** **\*\* May 30, 2023**

(54) **MESSAGE ELEMENT**

(71) Applicant: **Yiqiang Wang**, Suzhou (CN)

(72) Inventor: **Yiqiang Wang**, Suzhou (CN)

(\*\*) Term: **15 Years**

(21) Appl. No.: **29/791,005**

(22) Filed: **Dec. 24, 2021**

(51) **LOC (14) Cl.** ..... **24-01**

(52) **U.S. Cl.**  
USPC ..... **D24/215**

(58) **Field of Classification Search**

USPC ..... D24/200, 209, 211, 212, 213, 214, 215;  
D7/393; D8/307, 310, 378; D9/435, 439  
CPC ..... A61H 2201/1685; A61H 23/006; A61H  
2015/0042; A61H 37/00

See application file for complete search history.

(56) **References Cited**

**U.S. PATENT DOCUMENTS**

D319,854 S *	9/1991	Geary	.....	D21/662
7,207,957 B2 *	4/2007	Szczepanski	.....	A61H 15/0085
				601/112
D596,306 S *	7/2009	Levine	.....	D24/214
D756,819 S *	5/2016	Dabrowski	.....	D21/385
D766,064 S *	9/2016	Yuki	.....	D8/310
D772,689 S *	11/2016	Zimmer	.....	D8/310
D850,640 S *	6/2019	Wersland	.....	D24/211
D859,680 S *	9/2019	Wersland	.....	D24/211
D952,878 S *	5/2022	Lin	.....	D24/211
D975,863 S *	1/2023	Zhang	.....	D24/215
D975,865 S *	1/2023	Zhang	.....	D24/215
2021/0244609 A1 *	8/2021	Lee	.....	A61H 23/006
2022/0047452 A1 *	2/2022	Wersland	.....	A61H 23/0254

**OTHER PUBLICATIONS**

Amazon,, “Massage Gun Heads” Aug. 28, 2021. [https://www.amazon.com/Hypervolt-Go%EF%BC%8CReplaceable-Attachment-Different-Percussion/dp/B09D8C1Q7J/ref=cm\\_cr\\_arp\\_d\\_product\\_top?ie=UTF8](https://www.amazon.com/Hypervolt-Go%EF%BC%8CReplaceable-Attachment-Different-Percussion/dp/B09D8C1Q7J/ref=cm_cr_arp_d_product_top?ie=UTF8) (Year: 2021).\*

Newtechfitness, “Massage Gun MINI3”, Access Date: Feb. 14, 2023. <https://newtechfitness.com/product/massge-gun-mini3/> (Year: 2023).\*

\* cited by examiner

*Primary Examiner* — Michael A Maharajh

(74) *Attorney, Agent, or Firm* — Rumit Ranjit Kanakia

(57) **CLAIM**

The ornamental design for a massage element, as shown and described.

**DESCRIPTION**

FIG. 1 is a first perspective view of a massage element showing my new design;

FIG. 2 is a second perspective view thereof;

FIG. 3 is a front view thereof;

FIG. 4 is a back view thereof;

FIG. 5 is a left side view thereof;

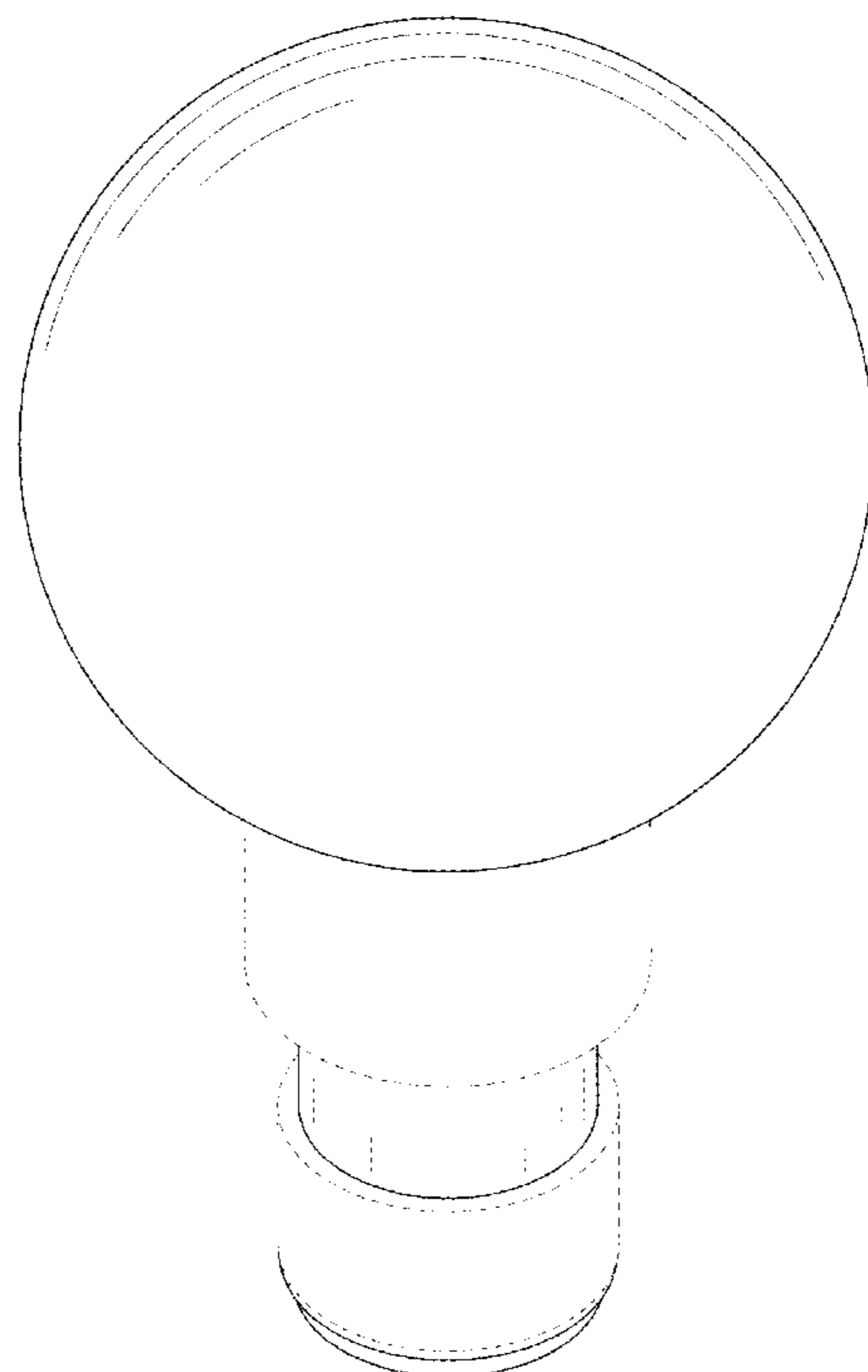
FIG. 6 is a right side view thereof;

FIG. 7 is a top view thereof; and,

FIG. 8 is a bottom view thereof.

The broken lines shown in the drawings depict portions of the massage element in which the design is embodied that form no part of the claimed design.

**1 Claim, 8 Drawing Sheets**



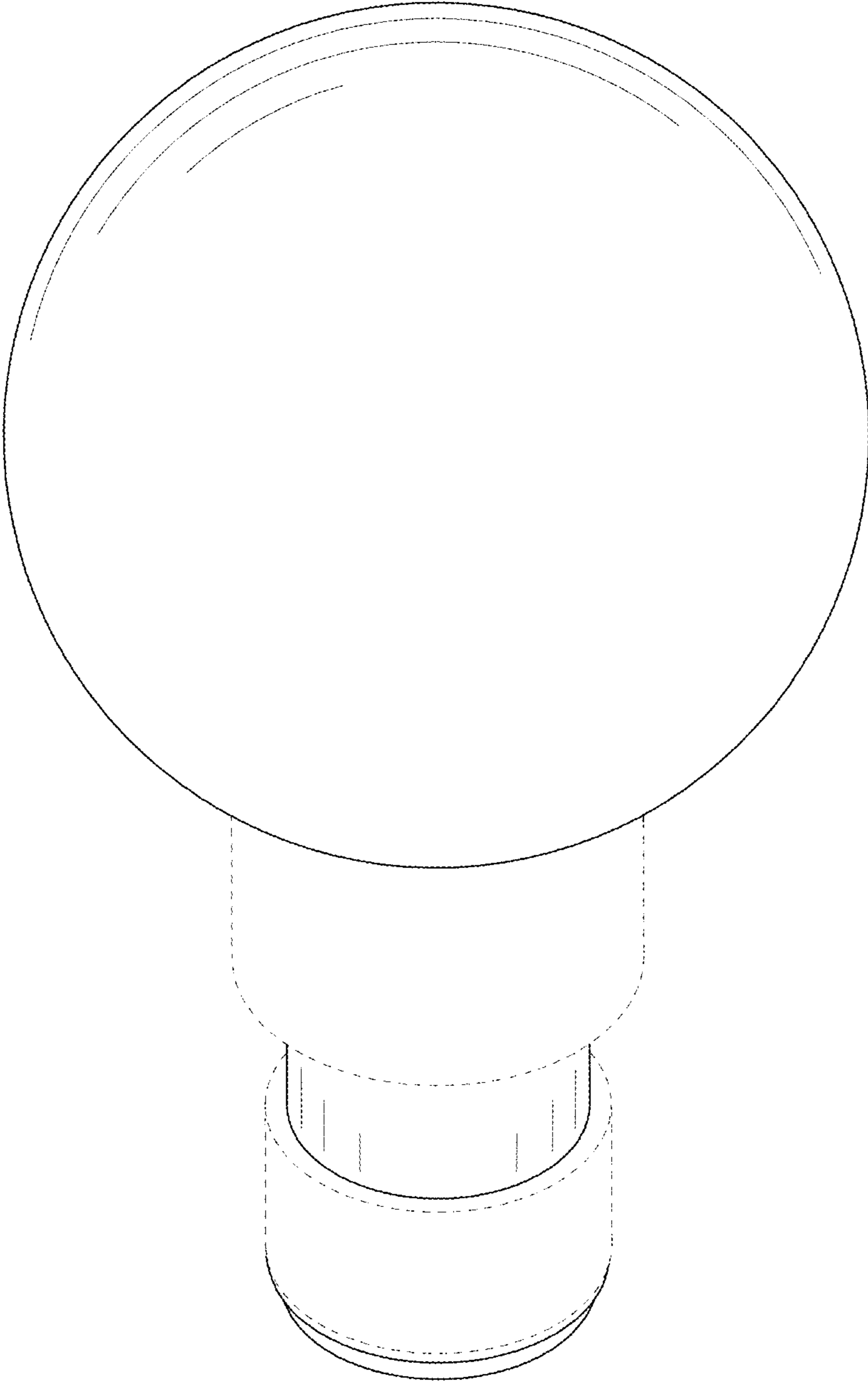


FIG. 1

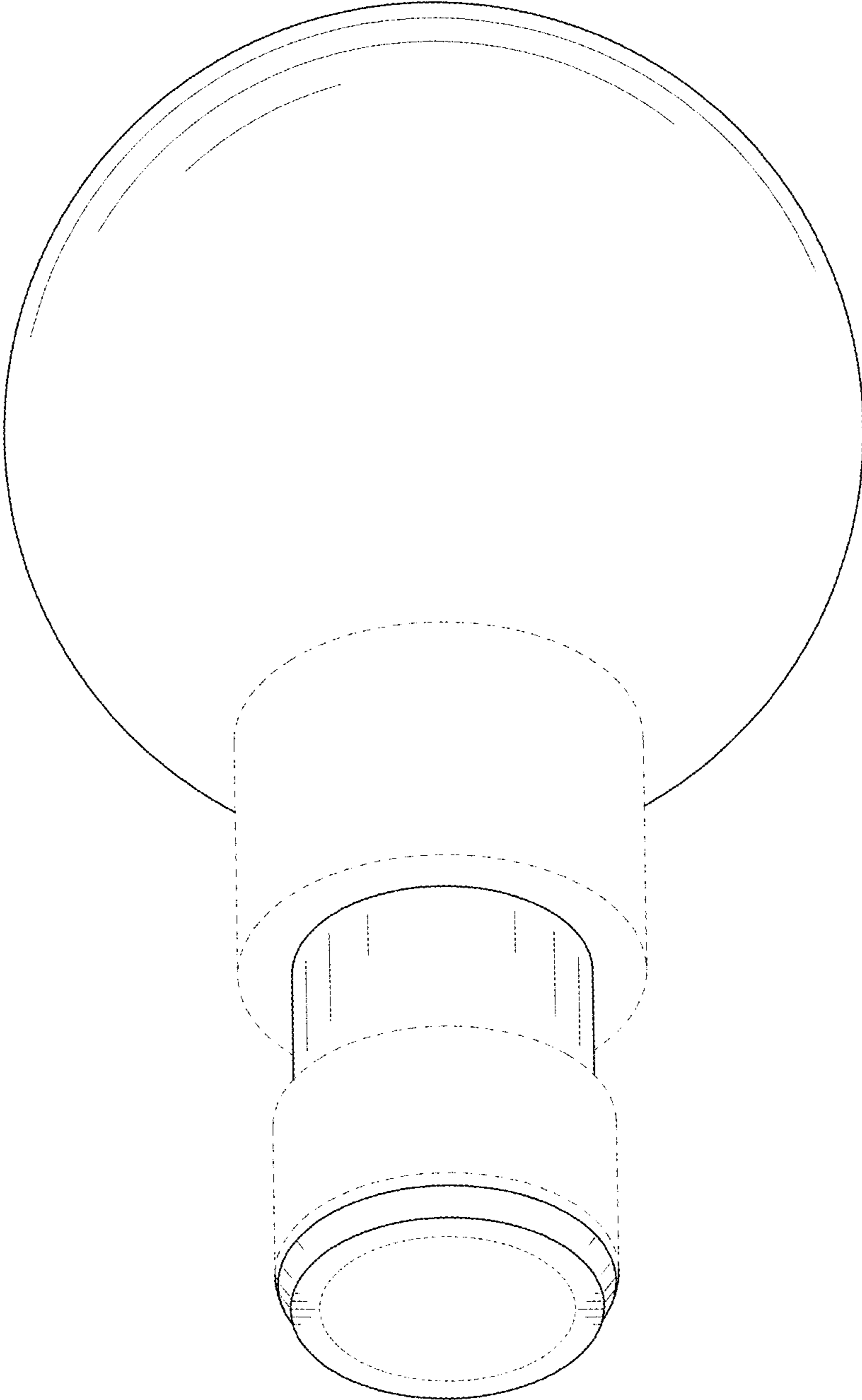


FIG. 2

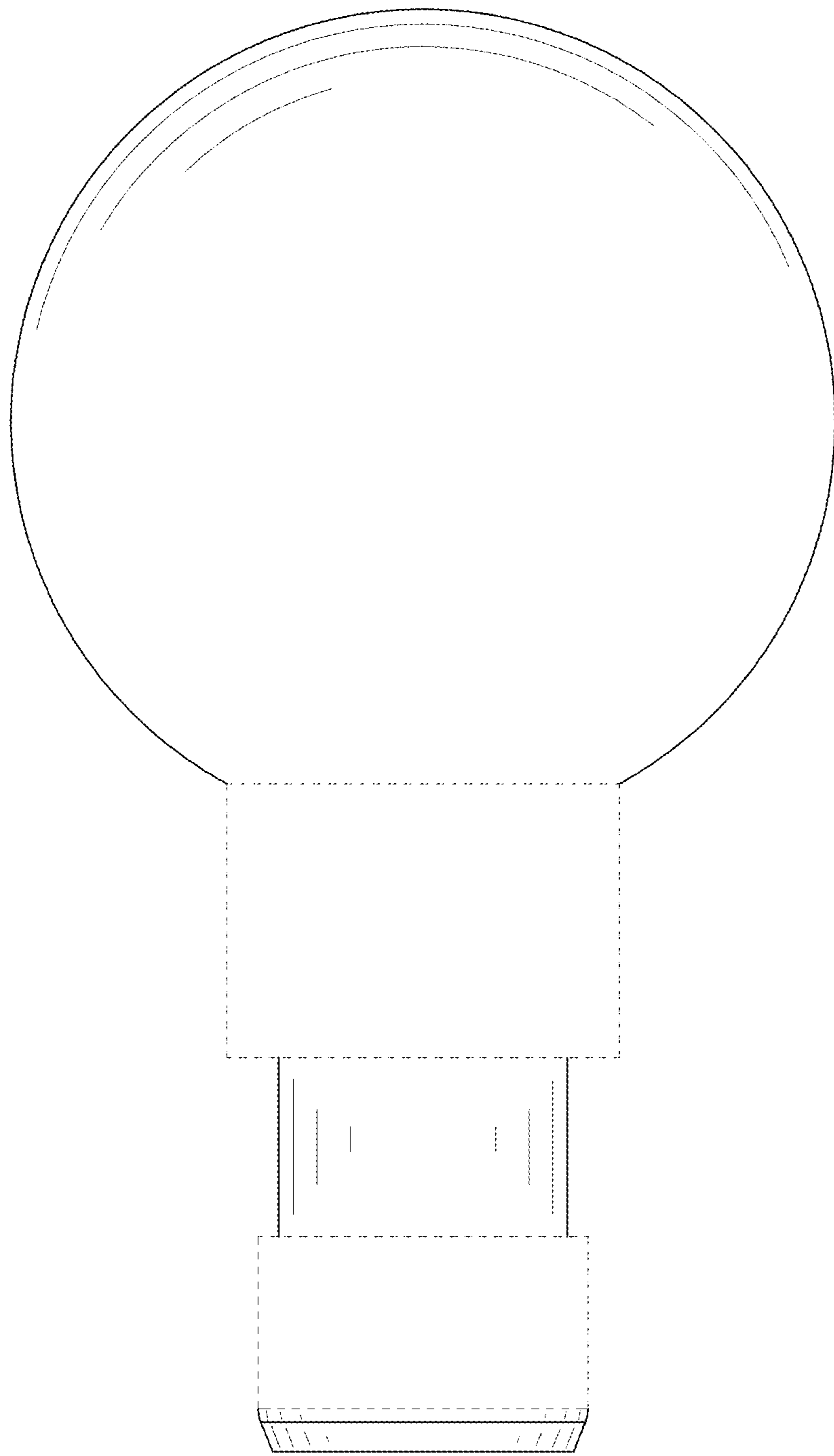


FIG. 3

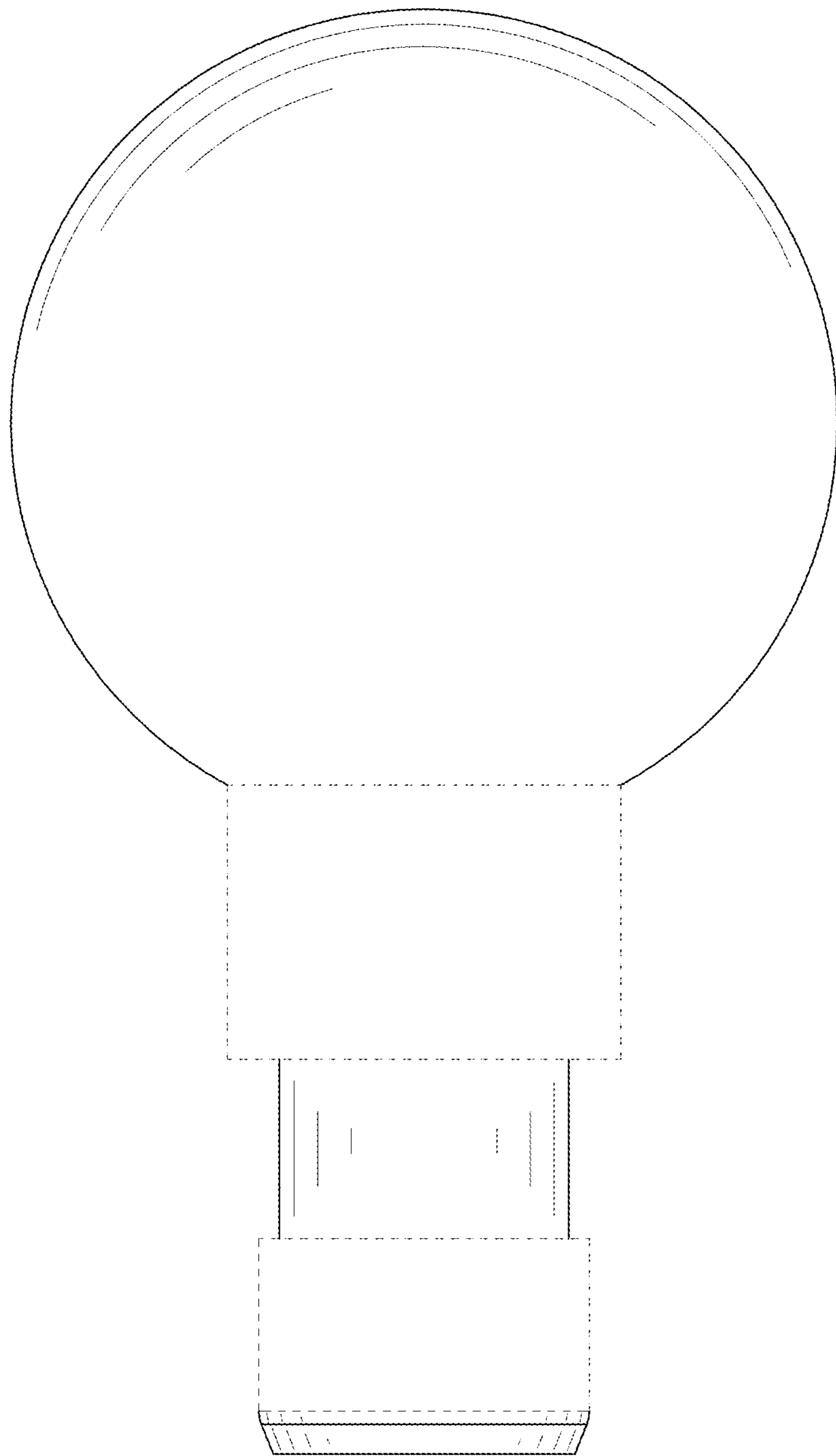


FIG. 4

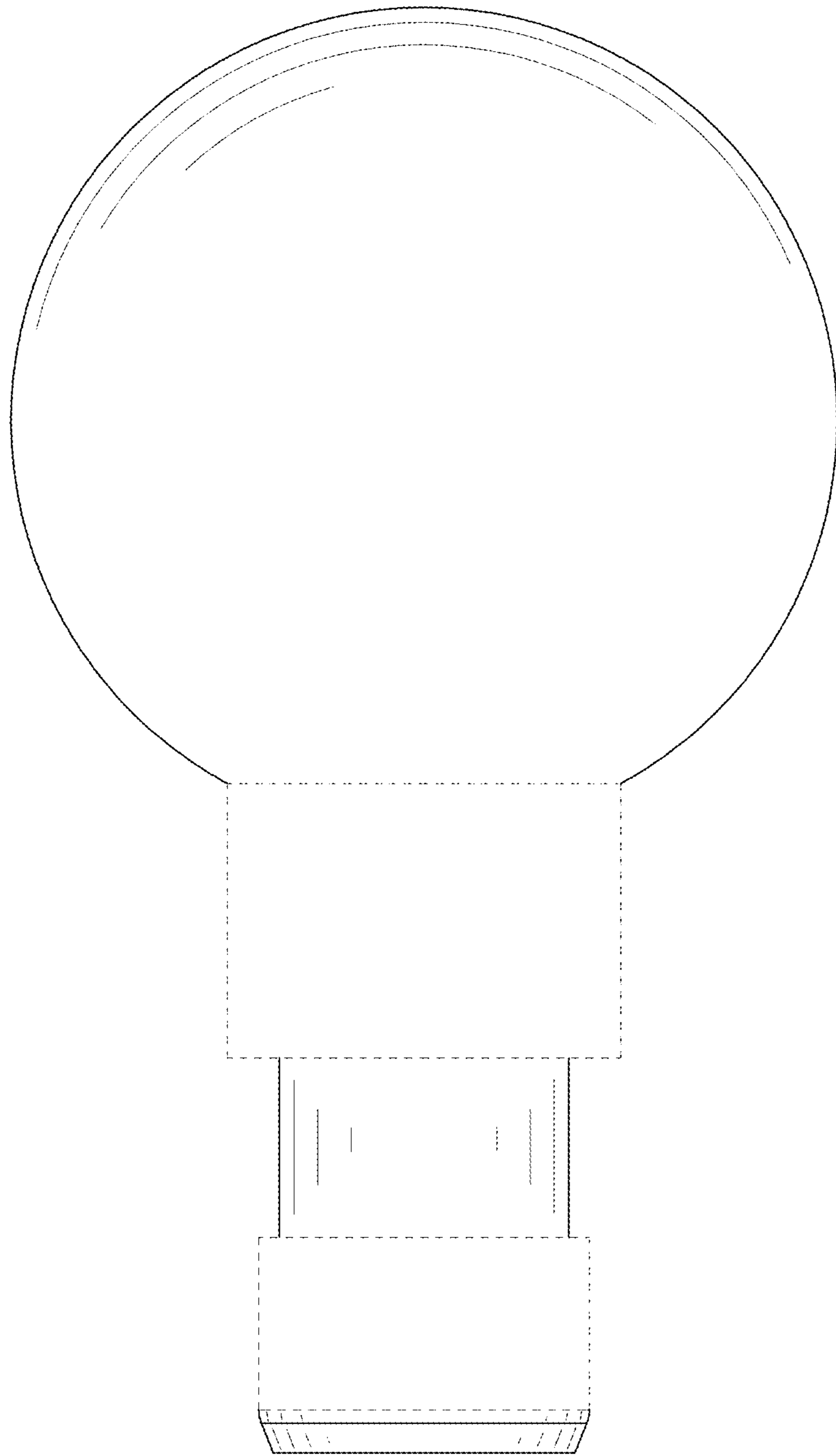


FIG. 5

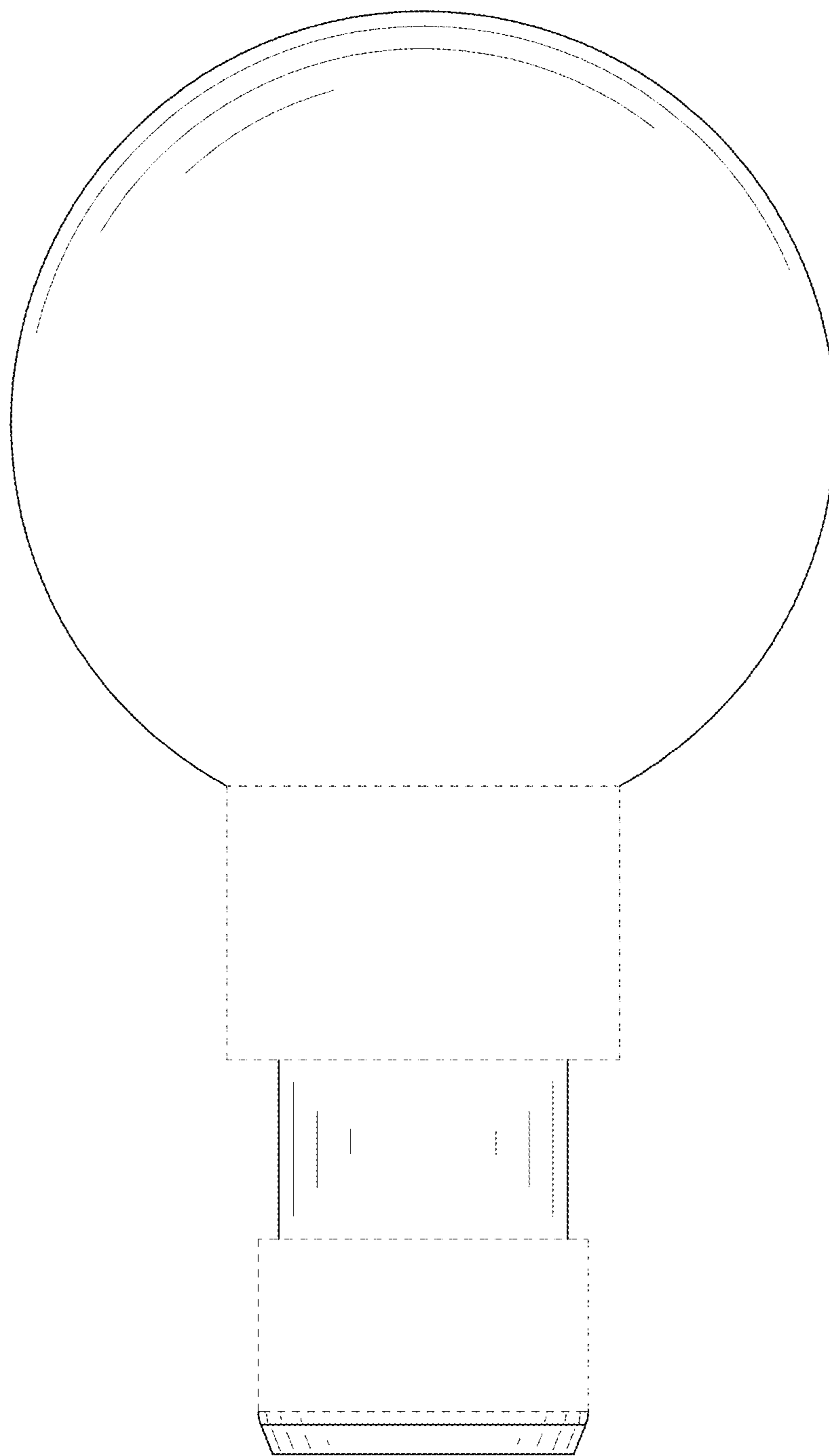


FIG. 6

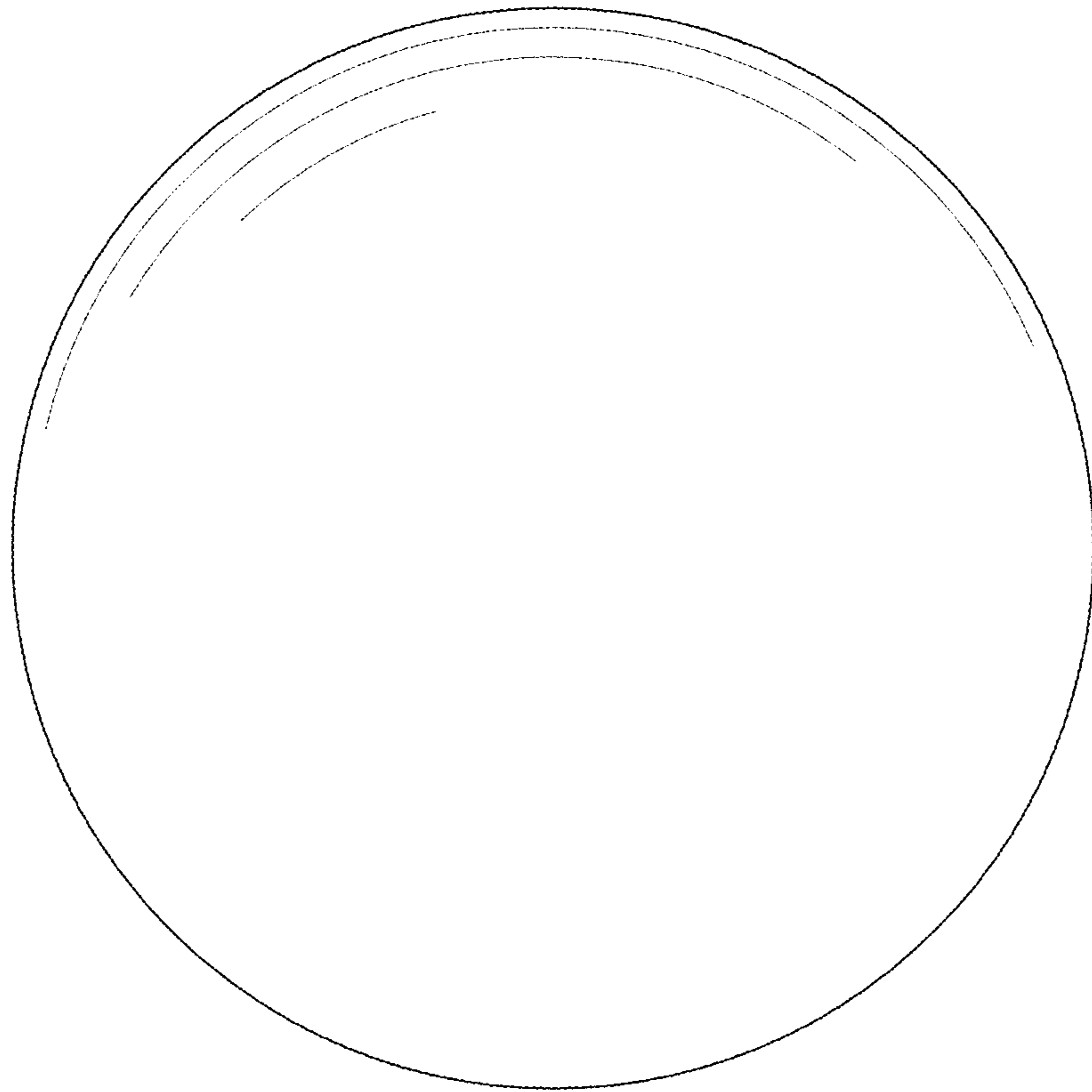


FIG. 7



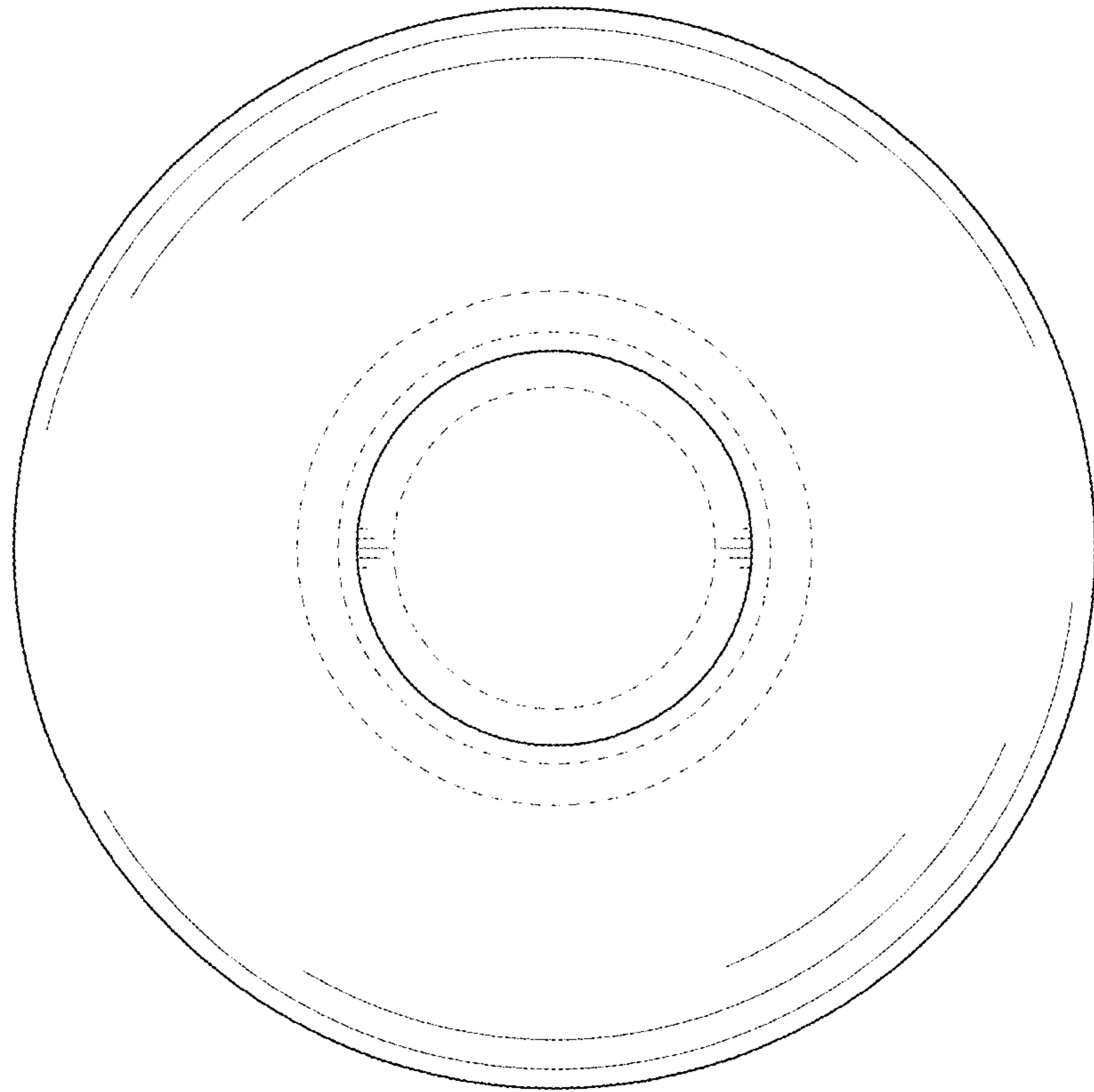


FIG. 8