



US00D987836S

(12) **United States Design Patent** (10) **Patent No.:** **US D987,836 S**
Mullen, Sr. et al. (45) **Date of Patent:** **** May 30, 2023**

(54) **ICE PACK HOLDER**

(71) Applicants: **Charles A. Mullen, Sr.**, San Diego, CA (US); **Cassandra L. Mullen**, San Diego, CA (US)

(72) Inventors: **Charles A. Mullen, Sr.**, San Diego, CA (US); **Cassandra L. Mullen**, San Diego, CA (US)

(**) Term: **15 Years**

(21) Appl. No.: **29/682,857**

(22) Filed: **Mar. 8, 2019**

Related U.S. Application Data

(63) Continuation-in-part of application No. 14/988,972, filed on Jan. 6, 2016, now abandoned.

(51) **LOC (14) Cl.** **07-99**

(52) **U.S. Cl.**
USPC **D24/207**

(58) **Field of Classification Search**
USPC D24/206–207, 190–191
CPC A61F 7/02; A61F 7/10; A61F 2007/0001;
A61F 2007/0022; A61F 2007/0231; A61F
2007/0228; A61F 13/066
See application file for complete search history.

(56) **References Cited**

U.S. PATENT DOCUMENTS

4,688,572 A 8/1987 Hubbard et al.
5,148,804 A 9/1992 Hill et al.
5,496,358 A * 3/1996 Rosenwald A61F 7/02
126/204
6,001,122 A * 12/1999 Lyles A61F 7/02
602/14
6,419,691 B1 7/2002 Hanner
D477,413 S * 7/2003 Schirmacher D24/206
6,589,272 B1 7/2003 Sheikh
D500,140 S * 12/2004 Krahner D24/206

D505,727 S * 5/2005 Krahner D24/206
7,022,093 B2 4/2006 Smith et al.
7,481,786 B2 1/2009 Flick et al.
7,815,584 B2 10/2010 Stewart
D756,076 S * 5/2016 Branum D24/206
(Continued)

OTHER PUBLICATIONS

Polar Ice Foot and Ankle Wrap, Cold Therapy Ice Pack, Universal Size. Date first available: Apr. 28, 2006. Retrieved on Nov. 4, 2020. Retrieved from the Internet: <https://www.amazon.com/Polar-Ankle-Therapy-Universal-Color/dp/B001G0N712>.*

Primary Examiner — Wan Laymon

(74) *Attorney, Agent, or Firm* — Boudwin Intellectual Property; Daniel Boudwin

(57) **CLAIM**

The ornamental design for an ice pack holder, as shown and described.

DESCRIPTION

FIG. 1 shows a top plan view of the ice pack holder in an unfolded configuration.

FIG. 1 shows a perspective view of the ice pack holder.

FIG. 2 shows a front elevation view of the ice pack holder.

FIG. 3 shows a rear elevation view of the ice pack holder.

FIG. 4 shows a right side elevation view of the ice pack holder.

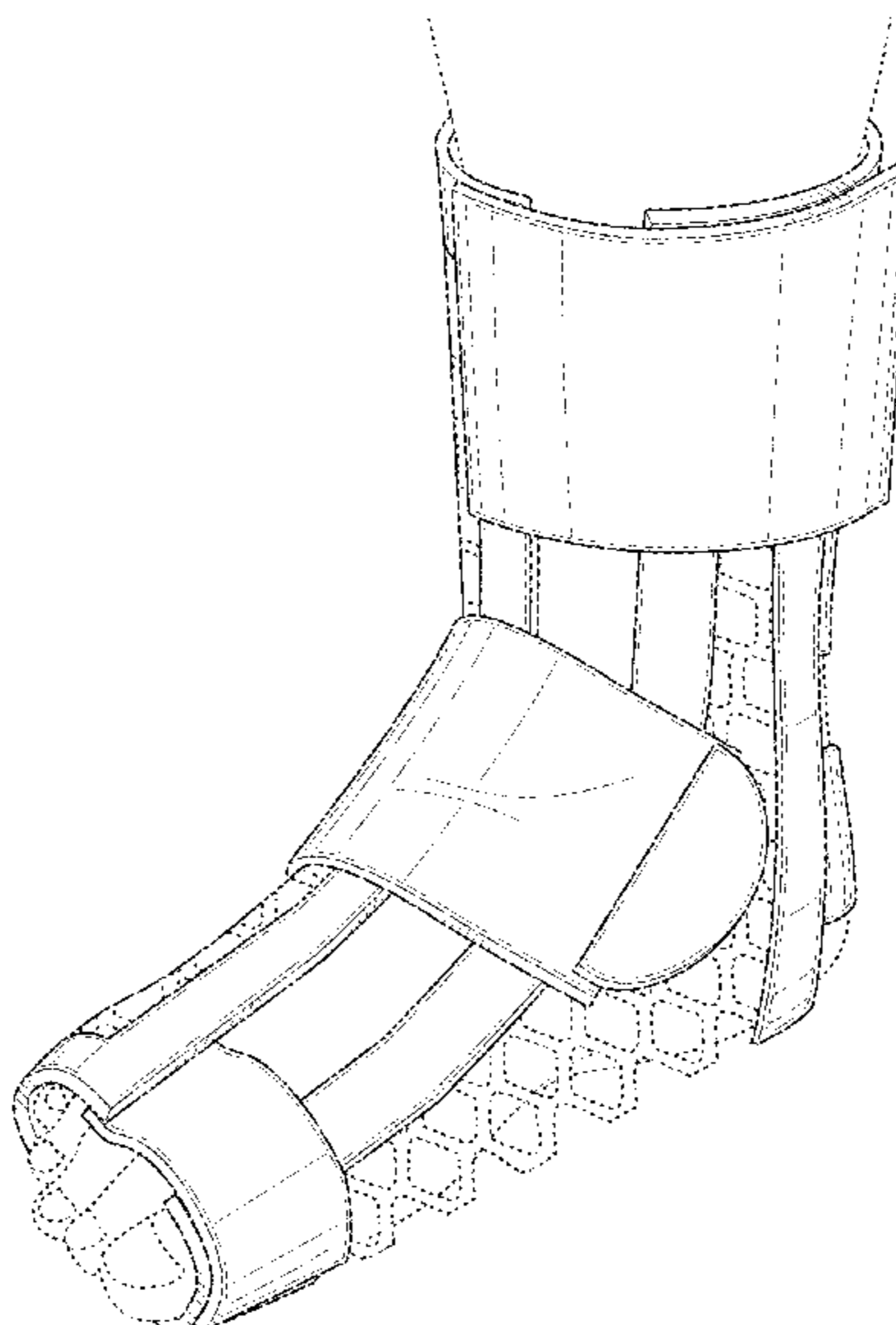
FIG. 5 shows a left side elevation view of the ice pack holder.

FIG. 6 shows a top plan view of the ice pack holder; and, FIG. 7 shows a bottom plan view of the ice pack holder.

The broken lines shown in the drawings represent environmental effects and do not form any part of the claimed design.

The shade lines in the drawings show contour and not surface ornamentation.

1 Claim, 6 Drawing Sheets



(56)

References Cited

U.S. PATENT DOCUMENTS

D911,537 S * 2/2021 Weinstein D24/206
D923,805 S * 6/2021 Li D24/206
D935,626 S * 11/2021 Zhang D24/190
2003/0125650 A1 7/2003 Grosso
2007/0100264 A1* 5/2007 Hanson A61F 7/02
602/2
2007/0106354 A1 5/2007 Carstens
2008/0077214 A1 3/2008 Stalick
2008/0188786 A1* 8/2008 Hickling A61F 7/02
602/26
2010/0057173 A1 3/2010 Leavitt
2015/0105845 A1* 4/2015 Duckworth, Jr. A61F 7/02
607/112
2022/0039996 A1* 2/2022 Mabini A61F 7/02

* cited by examiner

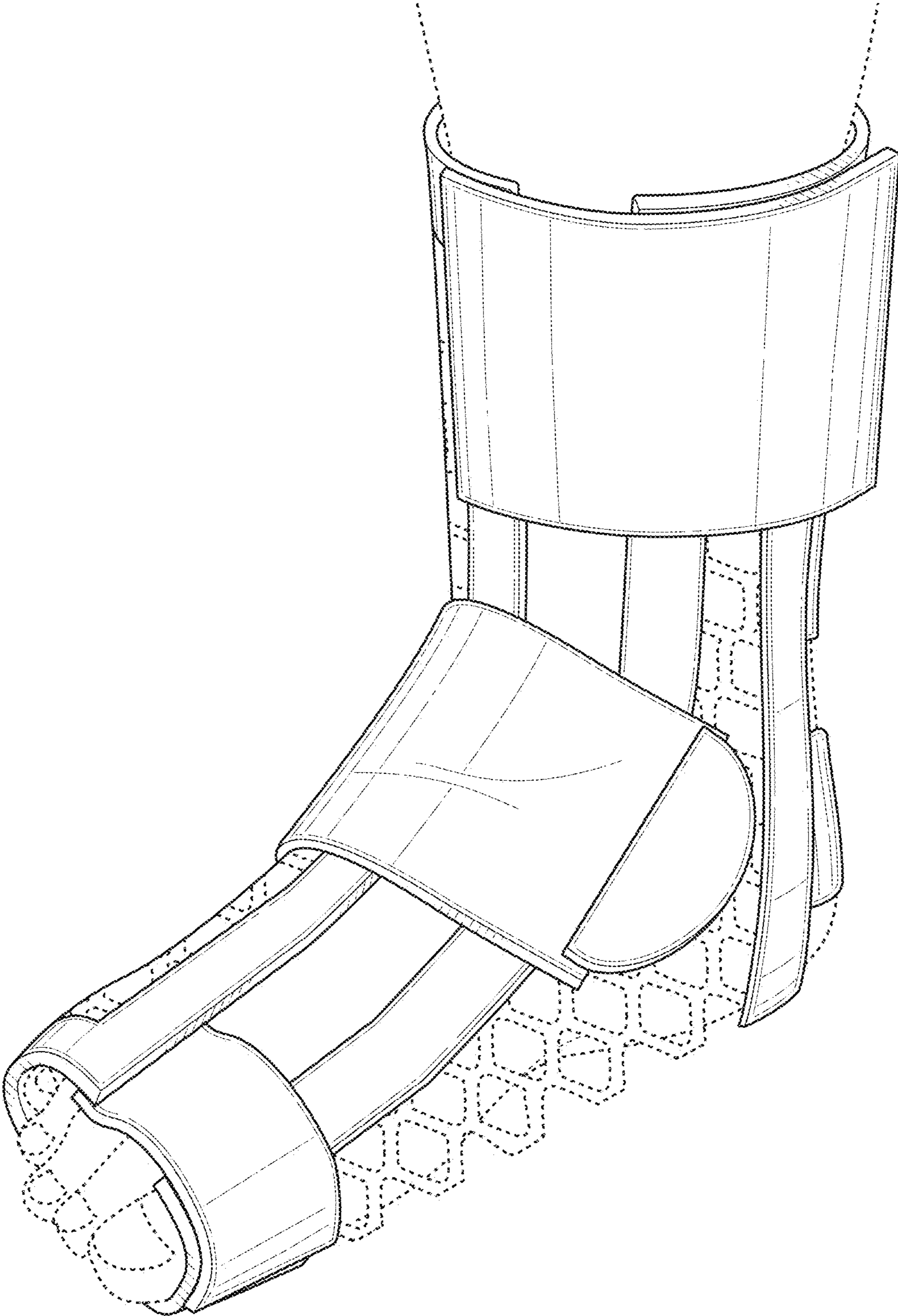


FIG. 1

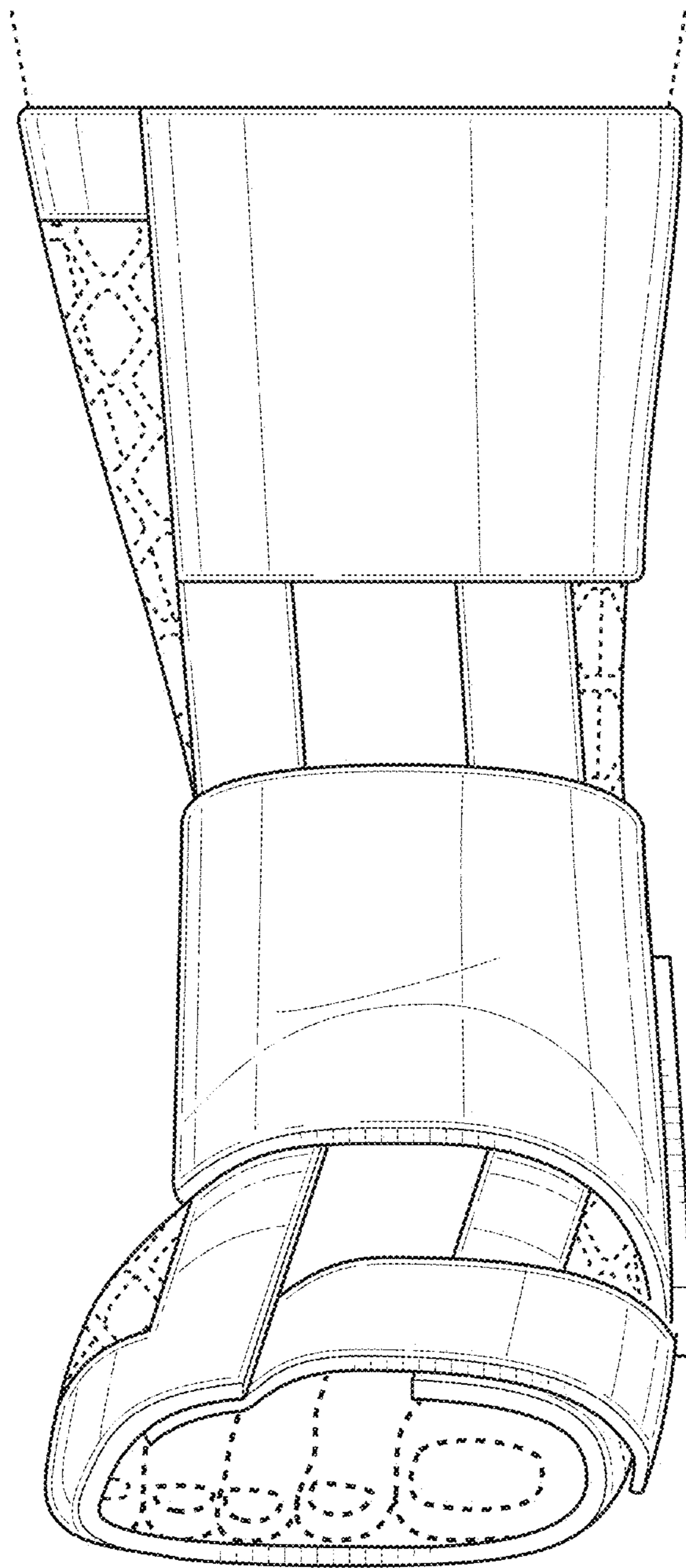


FIG. 2

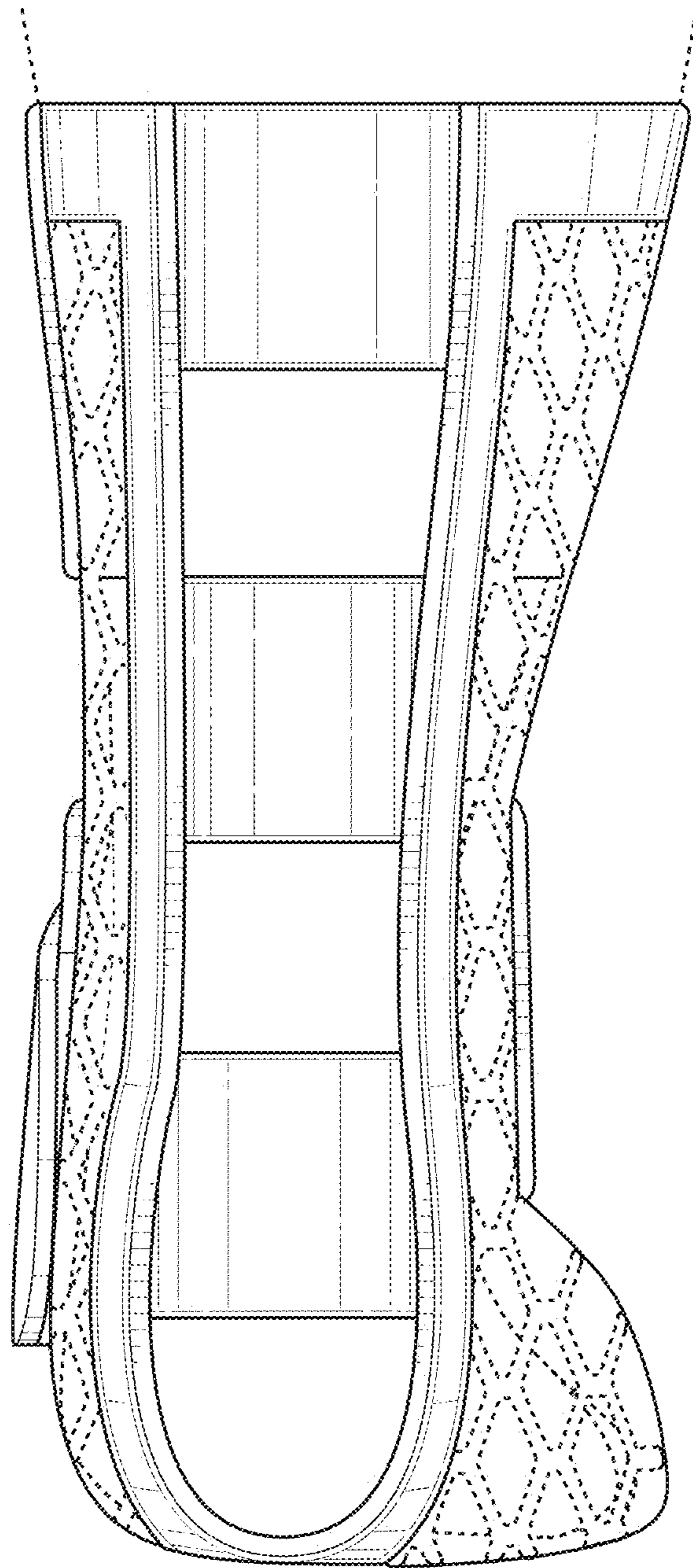


FIG. 3

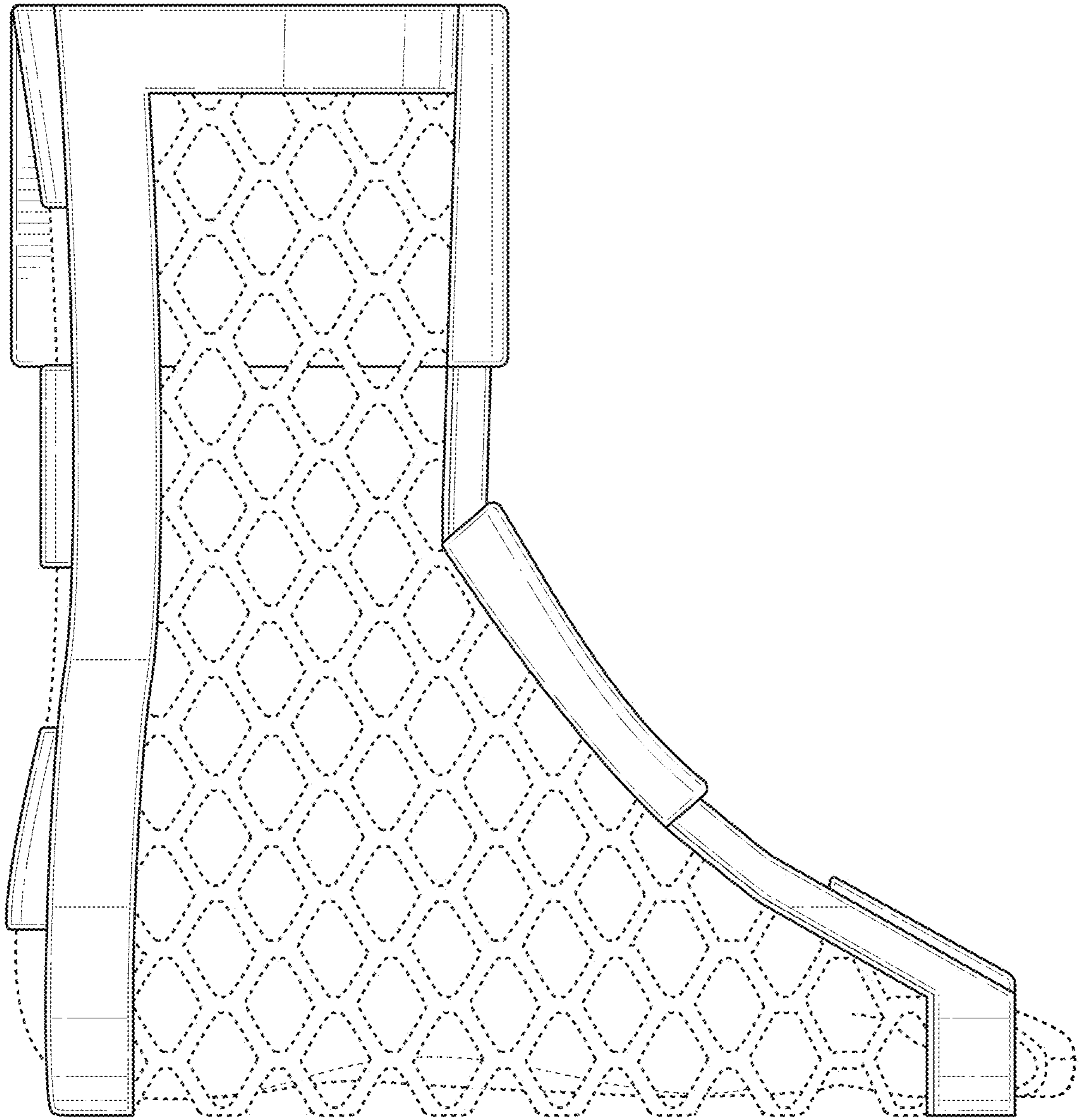


FIG. 4

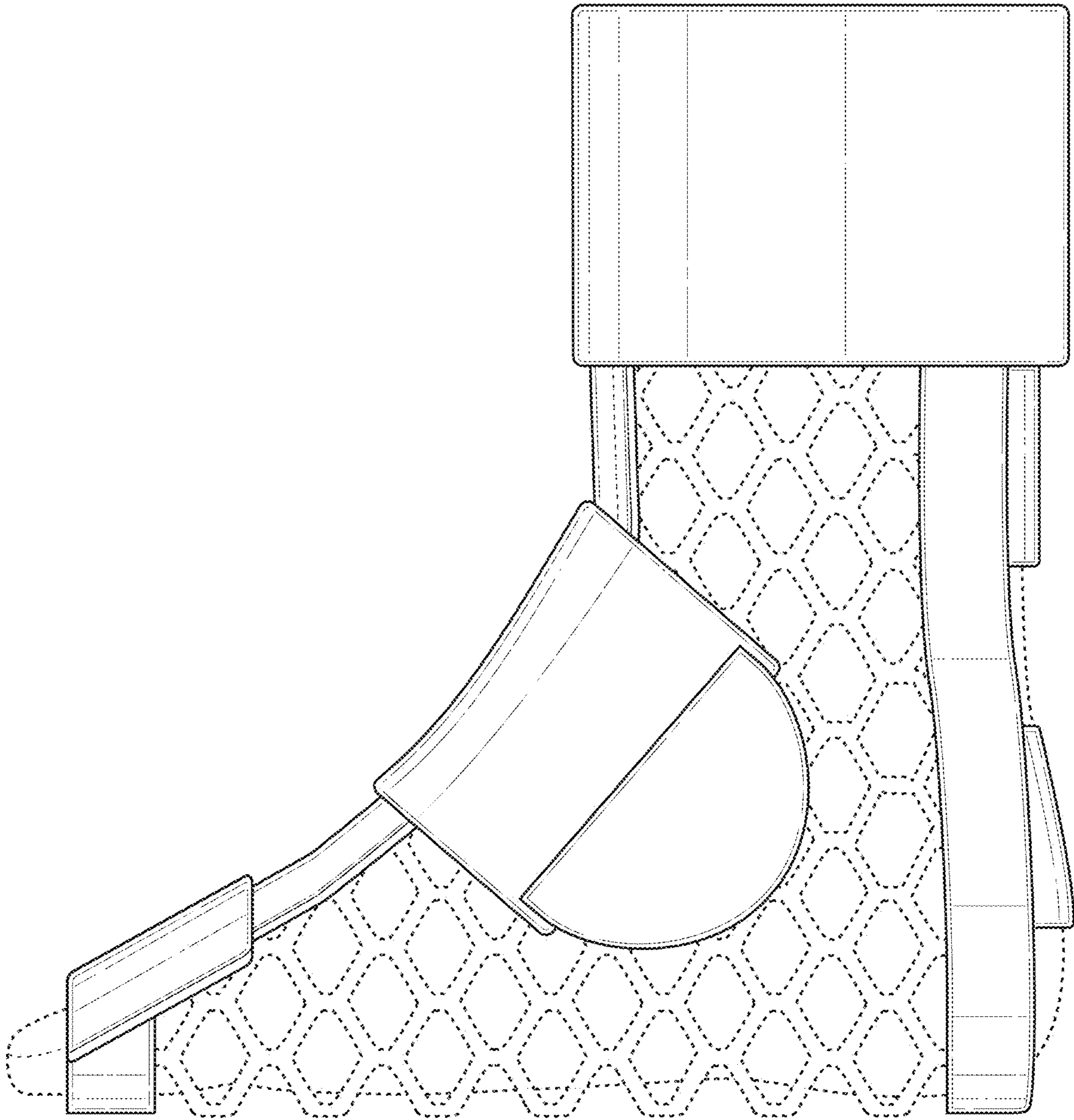


FIG. 5

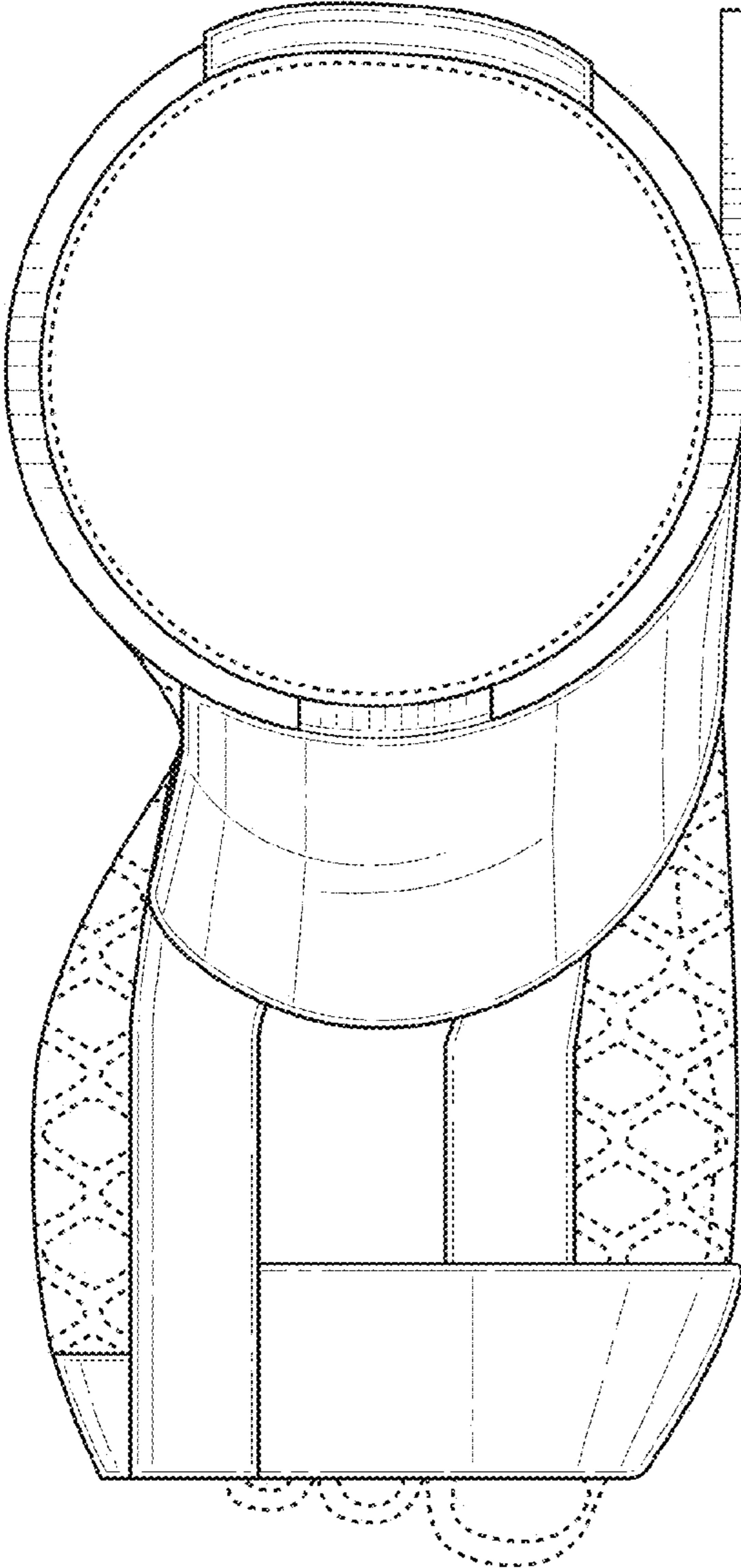


FIG. 6

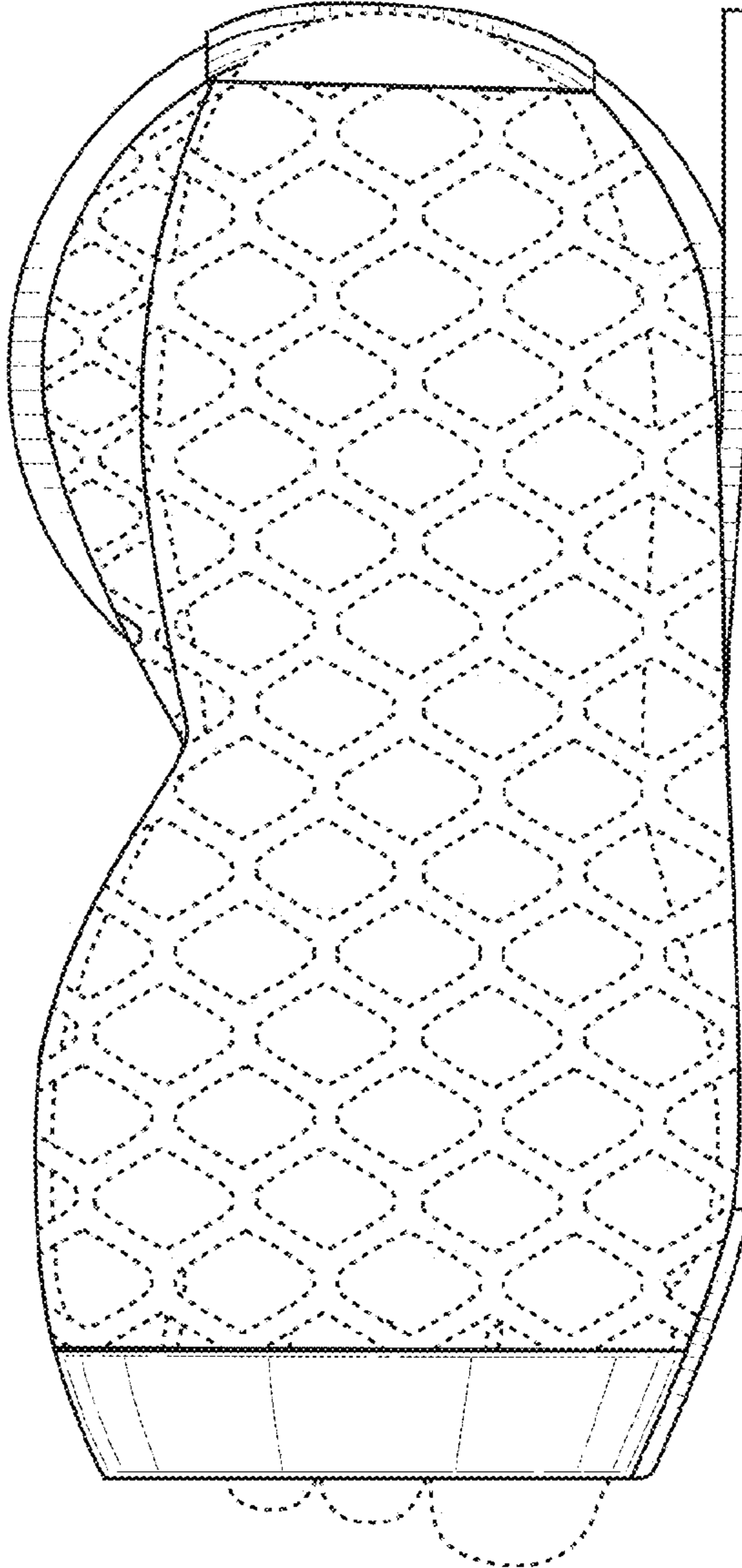


FIG. 7