



US00D987834S

(12) **United States Design Patent** (10) **Patent No.:** **US D987,834 S**  
**Janis et al.** (45) **Date of Patent:** **\*\* May 30, 2023**

(54) **HANDPIECE OF A COOLING TREATMENT SYSTEM**

(71) Applicant: **R2 Technologies, Inc.**, San Ramon, CA (US)

(72) Inventors: **Scott Janis**, Pleasant Hill, CA (US); **Madison Nicole Berger**, San Francisco, CA (US); **Andrew Leonard Zee**, San Francisco, CA (US); **Lea Sandra Kobeli**, San Francisco, CA (US); **Steven Mardis Bagley**, San Francisco, CA (US)

(73) Assignee: **R2 TECHNOLOGIES, INC.**, San Ramon, CA (US)

(\*\*) Term: **15 Years**

(21) Appl. No.: **29/766,889**

(22) Filed: **Jan. 19, 2021**

(51) **LOC (14) Cl.** ..... **24-01**

(52) **U.S. Cl.**  
USPC ..... **D24/206**

(58) **Field of Classification Search**  
USPC ..... D13/110, 162, 164; D24/112–113, 127, D24/130, 133, 140, 144–147, 170, 200, D24/206, 209, 185–186, 165, 215; D28/56–59, 7; D8/61–62, 68–69, 71; D9/503–505

CPC . A61B 17/29; A61B 17/0218; A61B 17/2909; A61B 17/282; A61B 7/295; A61B 2017/2926; A61B 10/04; A61B 10/0096; A61B 10/025; A61M 37/0076; A61M 37/0084; A61M 37/00; A61M 5/46; A61M 5/48; A61M 37/0092; A61M 5/482; A61M 5/2466; Y10T 29/49826; A61H 19/30; A61H 19/32; A61H 19/34; A61H 19/40; A61H 19/44; A61H 19/50; A61H 19/00; A61H 2201/0153; A61H 2201/0207; A61H 2201/0263; A61H

2201/0111; A61H 2201/1253; A61H 2205/082; A61H 2205/085; A61H 15/0085; A61N 1/36003; A61N 1/36014; A61N 1/36017; A61N 1/36021; A61N 1/36; A61N 1/0456; A61N 1/36071  
See application file for complete search history.

(56) **References Cited**

U.S. PATENT DOCUMENTS

D333,077	S	*	2/1993	Mikiya	.....	D8/62
D456,232	S	*	4/2002	Chen	.....	D8/25
D529,355	S	*	10/2006	Su	.....	D8/61
D534,777	S	*	1/2007	Miller	.....	D8/61
D612,044	S	*	3/2010	Scheibe	.....	D24/130
D737,443	S	*	8/2015	Ciravolo	.....	D24/147
D906,518	S	*	12/2020	Krammer	.....	D24/129
D931,700	S	*	9/2021	Pawar	.....	D8/61
D936,218	S	*	11/2021	McLean	.....	D24/129

\* cited by examiner

*Primary Examiner* — Samantha Q Lawrence

*Assistant Examiner* — Holly M Rodriguez

(74) *Attorney, Agent, or Firm* — Kilpatrick Townsend & Stockton LLP

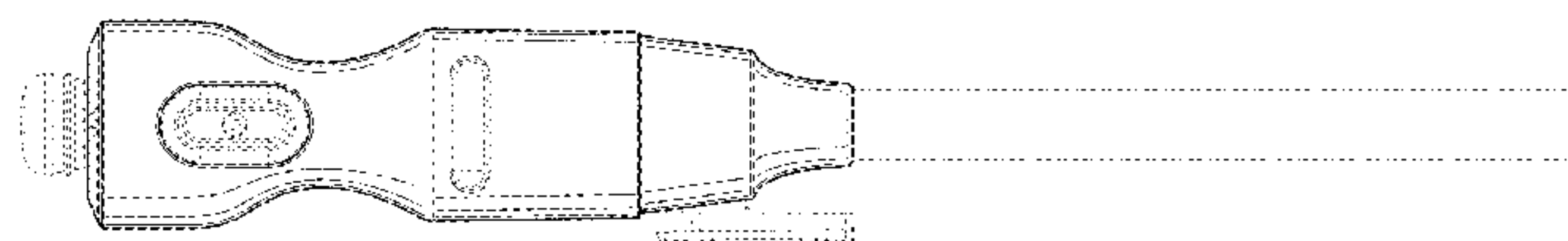
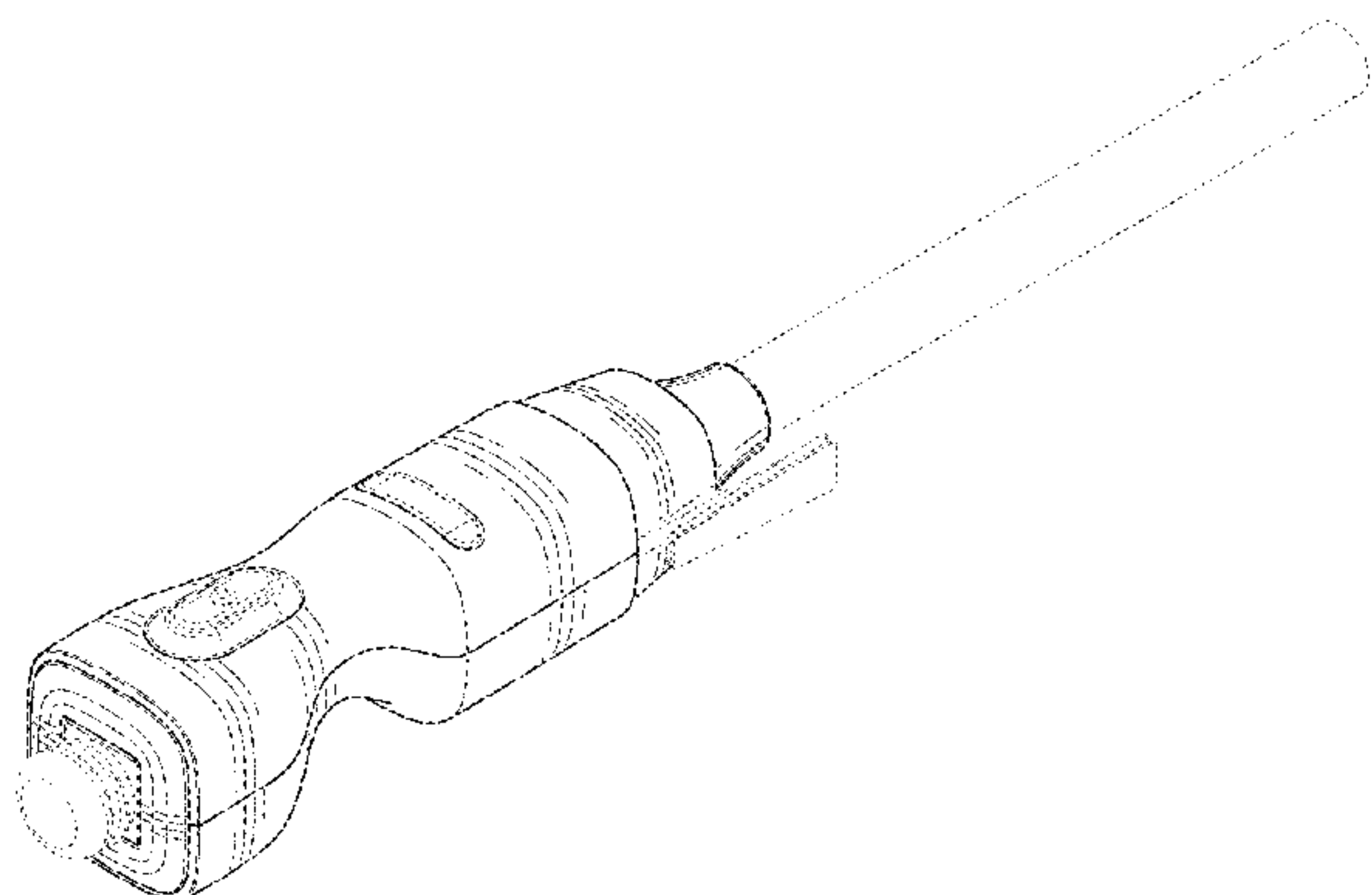
(57) **CLAIM**

The ornamental design for a handpiece of a cooling treatment system, as shown and described.

**DESCRIPTION**

FIG. 1 is an isometric view of a handpiece.  
FIG. 2 is a front view of the handpiece of FIG. 1.  
FIG. 3 is a rear view of the handpiece of FIG. 1.  
FIG. 4 is a side view of the handpiece of FIG. 1.  
FIG. 5 is another side view of the handpiece of FIG. 1.  
FIG. 6 is another side view of the handpiece of FIG. 1; and,  
FIG. 7 is another side view of the handpiece of FIG. 1.  
The broken lines indicate unclaimed portions of the handpiece that form no part of the claimed design.

**1 Claim, 6 Drawing Sheets**



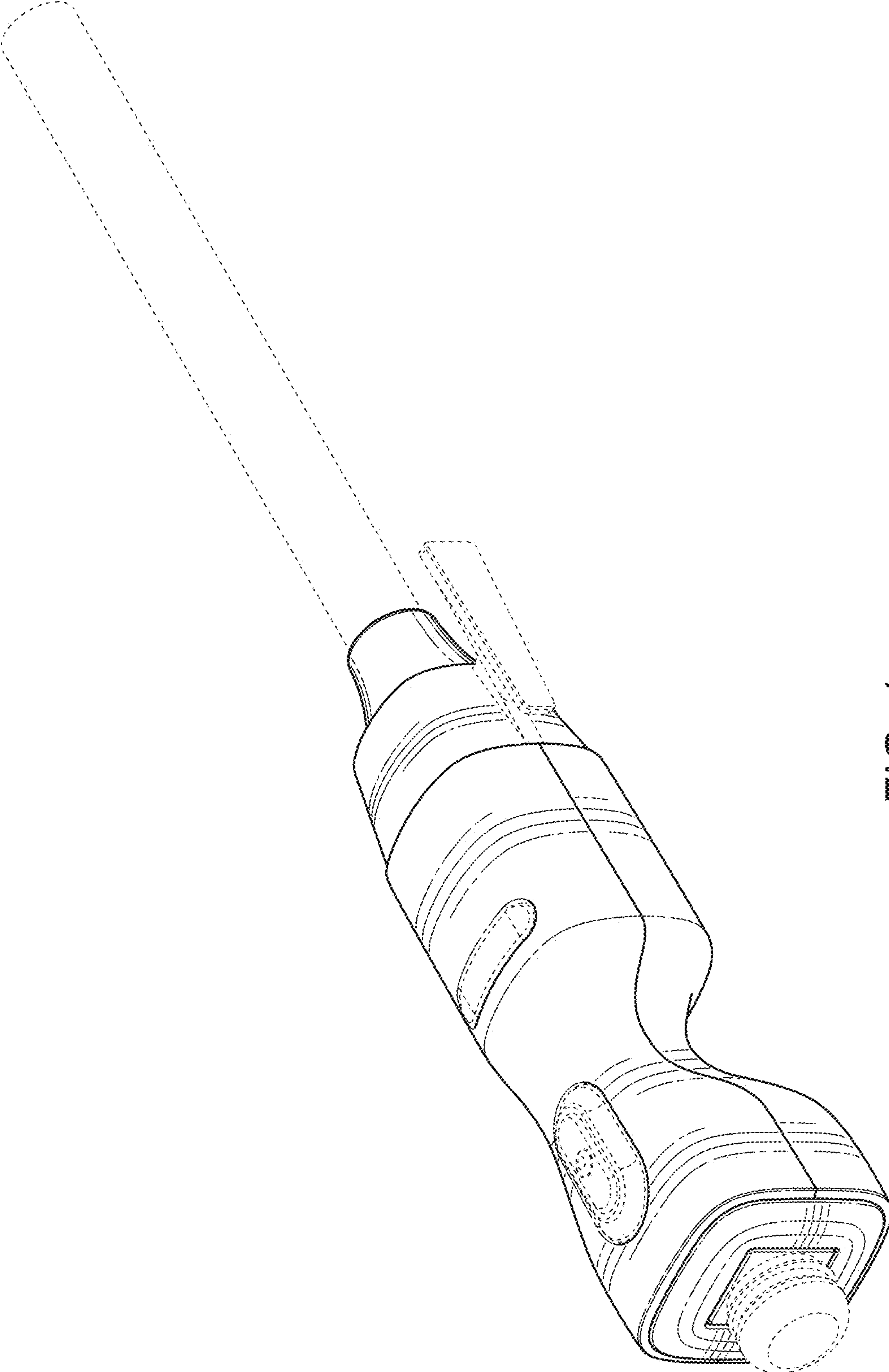


FIG. 1

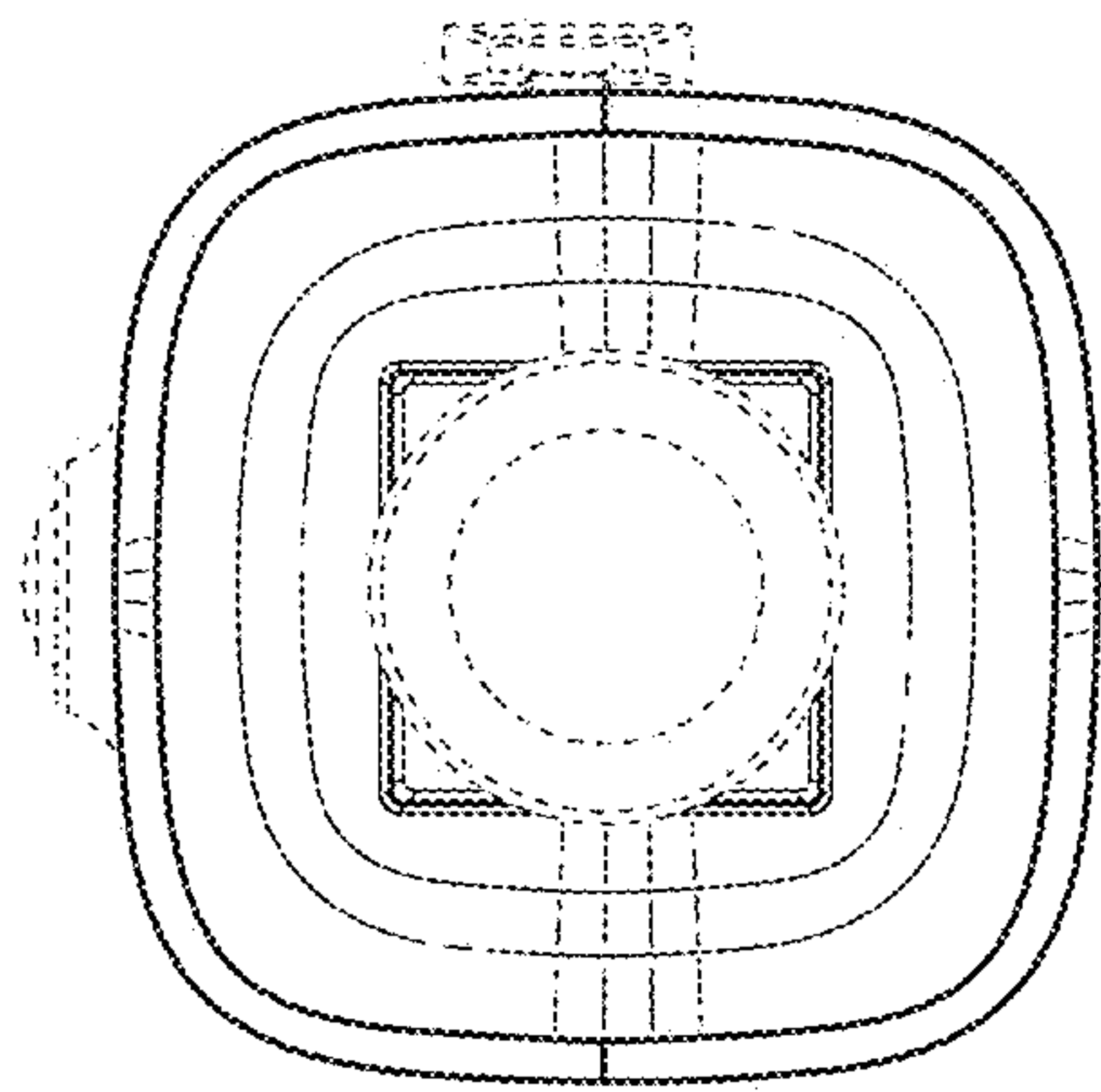


FIG. 2

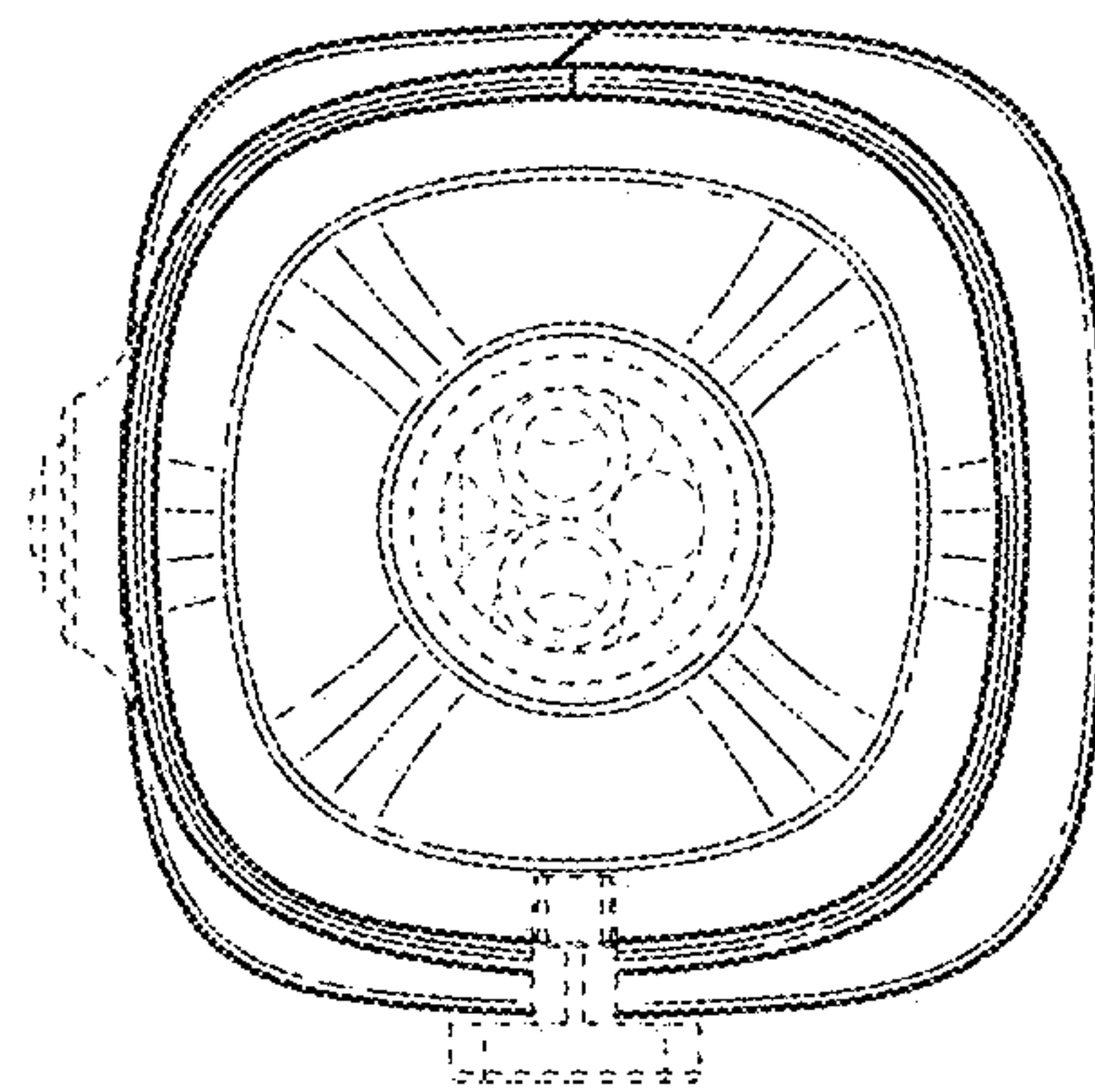


FIG. 3

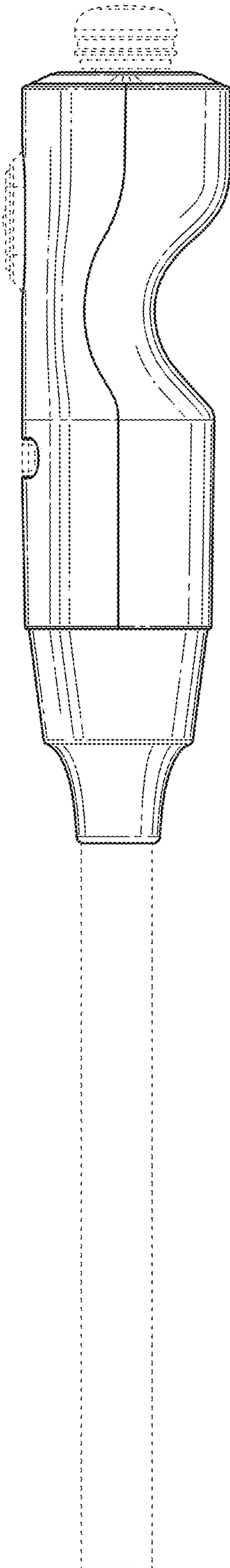


FIG. 4

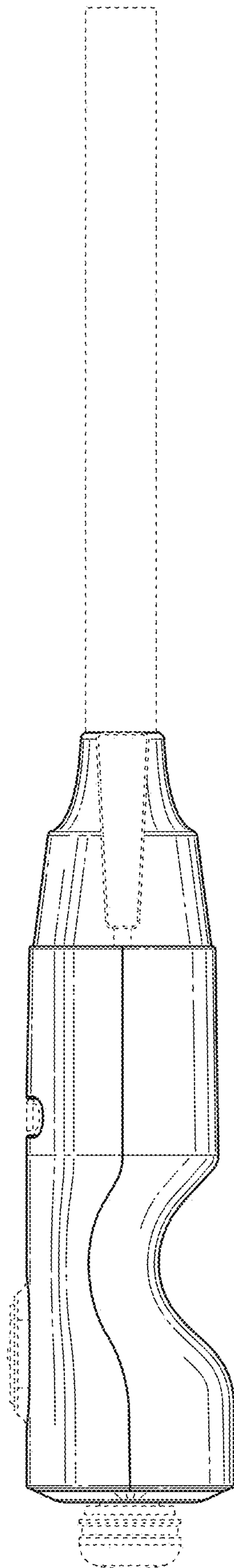


FIG. 5



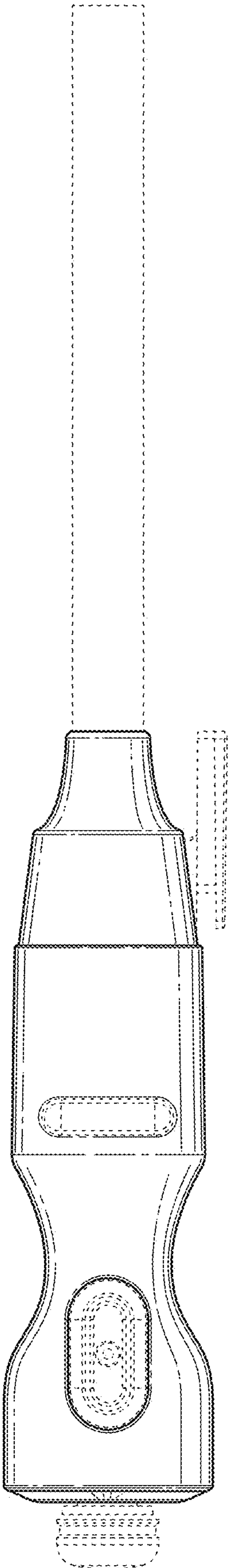


FIG. 6

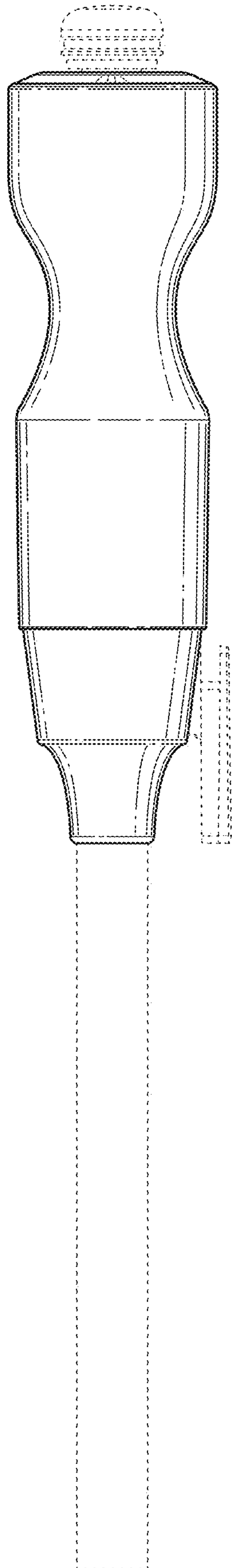


FIG. 7