



US00D987833S

(12) **United States Design Patent**
Yang et al.

(10) **Patent No.:** **US D987,833 S**
(45) **Date of Patent:** **** May 30, 2023**

- (54) **PLASMA BEAUTY INSTRUMENT**
- (71) Applicant: **Shenzhen Greatro Electronic Technology Co., Ltd.**, Guangdong (CN)
- (72) Inventors: **Leming Yang**, Guangdong (CN); **Jianhua Zheng**, Guangdong (CN); **Guohui Li**, Guangdong (CN)
- (73) Assignee: **Shenzhen Greatro Electronic Technology Co., Ltd.**, Shenzhen (CN)
- (**) Term: **15 Years**
- (21) Appl. No.: **29/797,758**
- (22) Filed: **Jul. 2, 2021**
- (51) **LOC (14) Cl.** **24-01**
- (52) **U.S. Cl.**
USPC **D24/200**
- (58) **Field of Classification Search**
USPC D24/133, 146-147, 200, 214-215, 107, D24/127, 186, 194, 196, 199, 209-211; D9/434-435, 439, 445, 544, 723, 724, D9/729; D4/122-123; D3/29; D8/300, D8/310, 322; D7/391, 392, 398, 900; D28/7, 76
CPC A61B 5/441; A61B 5/442; A61B 5/443; A61B 5/444; A61B 5/445; A61B 18/203; A61B 5/0008; A61B 5/01; A61B 1/227; A61N 5/0616; A61N 5/062; A61N 5/0613; A61N 2005/0644; A61F 7/007; A61F 2007/0086; A61F 2007/0087; G01K 5/22; G01K 13/00; A61M 35/003; A61M 35/006; A61M 39/00; A61M 39/10; A61M 39/20
See application file for complete search history.

- D787,693 S * 5/2017 Matsushita D24/200
- D887,018 S * 6/2020 Yongjoonchoe D24/200
- D901,704 S * 11/2020 Huang D24/214
- D908,957 S * 1/2021 Huang D24/209
- D923,192 S * 6/2021 Park D24/215
- D925,527 S * 7/2021 Bae D14/371
- D936,849 S * 11/2021 Chen D24/200

(Continued)

OTHER PUBLICATIONS

SolaWave 4-in-1 Facial Wand , first available Sep. 8, 2021, amazon.com, [online], [site visited Feb. 11, 2023], Available from internet URL: <https://www.amazon.com/dp/B09L2WFB58> (Year: 2021).*

(Continued)

Primary Examiner — Samantha Q Lawrence
Assistant Examiner — Holly M Rodriguez

(57) **CLAIM**

The ornamental design for a plasma beauty instrument, as shown and described.

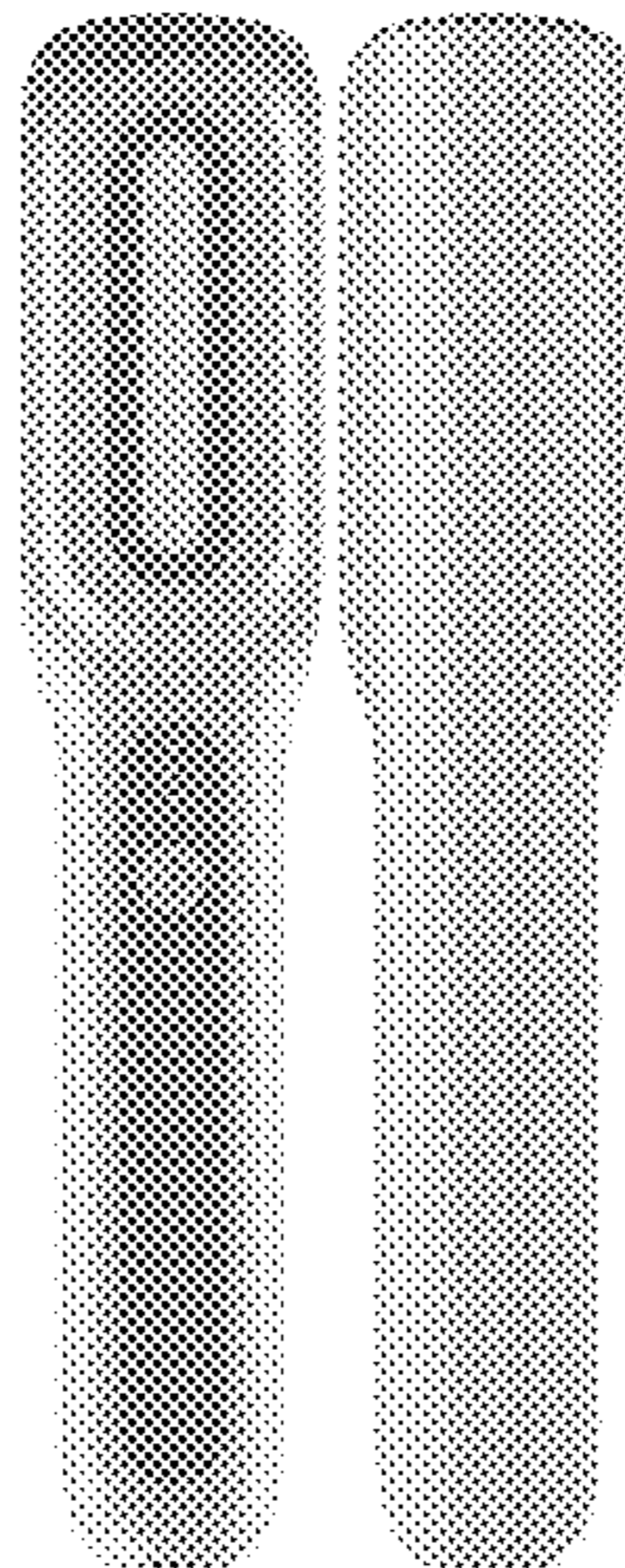
DESCRIPTION

FIG. 1 is a front elevational view of a plasma beauty instrument showing our new design;
FIG. 2 is a rear elevational view thereof;
FIG. 3 is a left side view thereof;
FIG. 4 is a right side view thereof;
FIG. 5 is a top plan view thereof;
FIG. 6 is a bottom plan view thereof;
FIG. 7 is a bottom, front and right side perspective view thereof;
FIG. 8 is a bottom, rear and left side perspective view thereof;
FIG. 9 is a top, rear and right side perspective view thereof;
and,
FIG. 10 is a top, rear and left side perspective view thereof.

1 Claim, 10 Drawing Sheets

(56) **References Cited**
U.S. PATENT DOCUMENTS

- D726,926 S * 4/2015 Matsushita D24/200
- D759,831 S * 6/2016 Levi D24/200



(56)

References Cited

U.S. PATENT DOCUMENTS

D947,547 S * 4/2022 Bermudez Beltran D4/138
 D949,395 S * 4/2022 Lee D24/215
 D956,986 S * 7/2022 Cai D24/200
 D967,527 S * 10/2022 Yang D24/209
 D968,633 S * 11/2022 Karim D24/215
 D975,358 S * 1/2023 Zhou D24/209
 2016/0121108 A1 * 5/2016 Kondo A61B 18/1402
 601/2
 2020/0085015 A1 * 3/2020 Yoo H05K 1/14
 2020/0086137 A1 * 3/2020 Yoo A61N 5/0624
 2023/0043049 A1 * 2/2023 Katzke A61N 5/0616

OTHER PUBLICATIONS

Skin Care Device, first available , amazon.com, [online], [site visited Feb. 11, 2023], Available from internet URL: <https://www.amazon.com/dp/B0BHxz88CP/> (Year: 2013).*

Plasma Pen Beauty Device, first available Jun. 20, 2012, aliexpress.com, [online], [site visited Feb. 11, 2023], Available from internet URL: <https://www.aliexpress.com/i/3256801595812147.html?gatewayAdapt=4itemAdapt> (Year: 2023).*

* cited by examiner

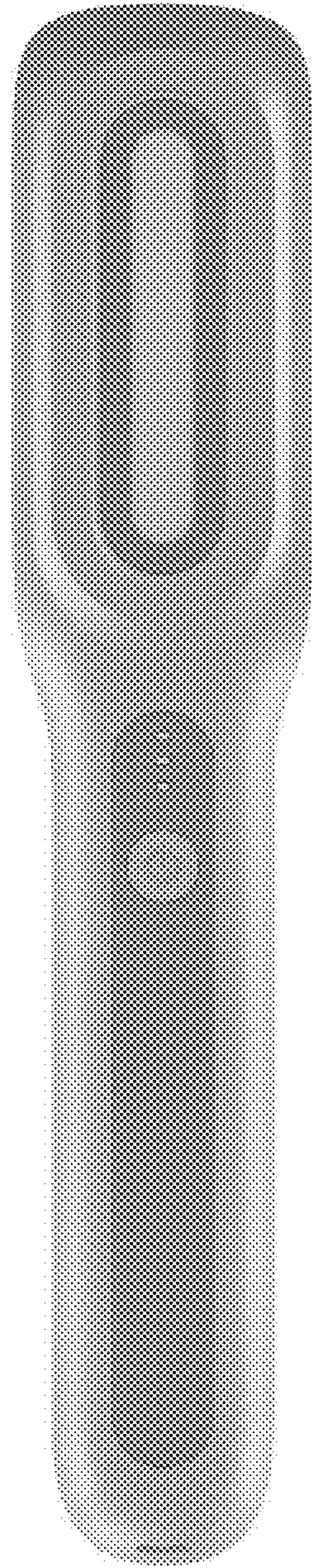


Fig. 1

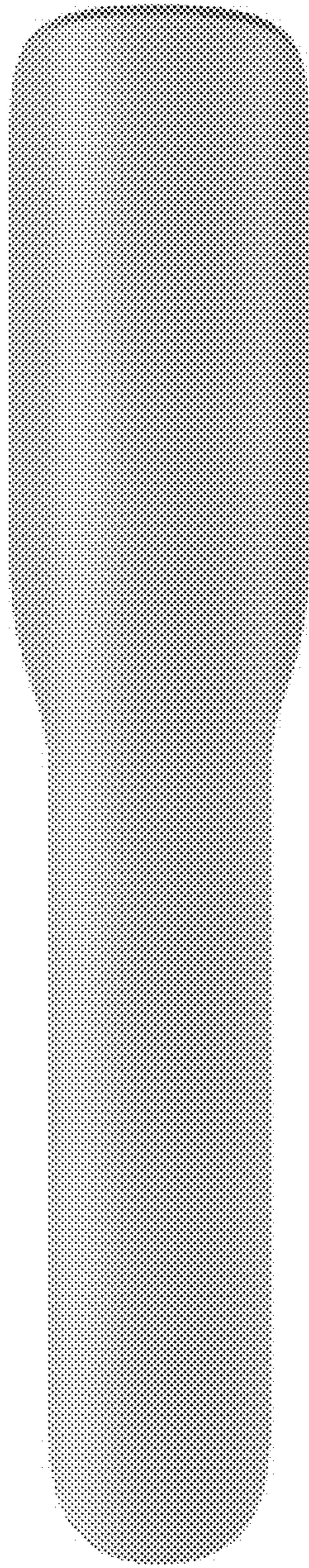


Fig. 2

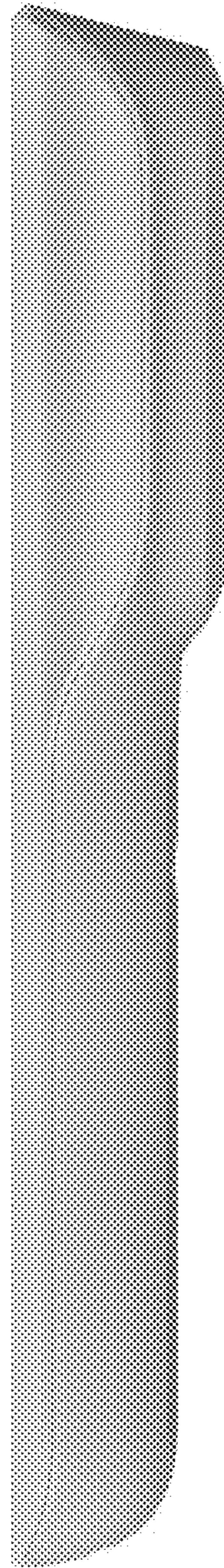


Fig. 3

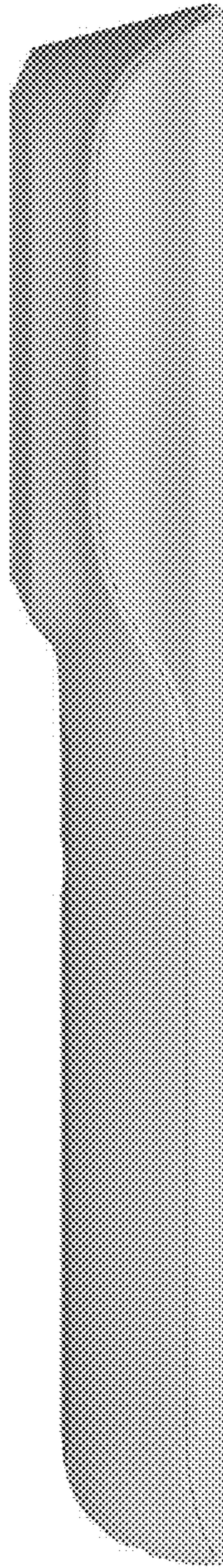


Fig. 4

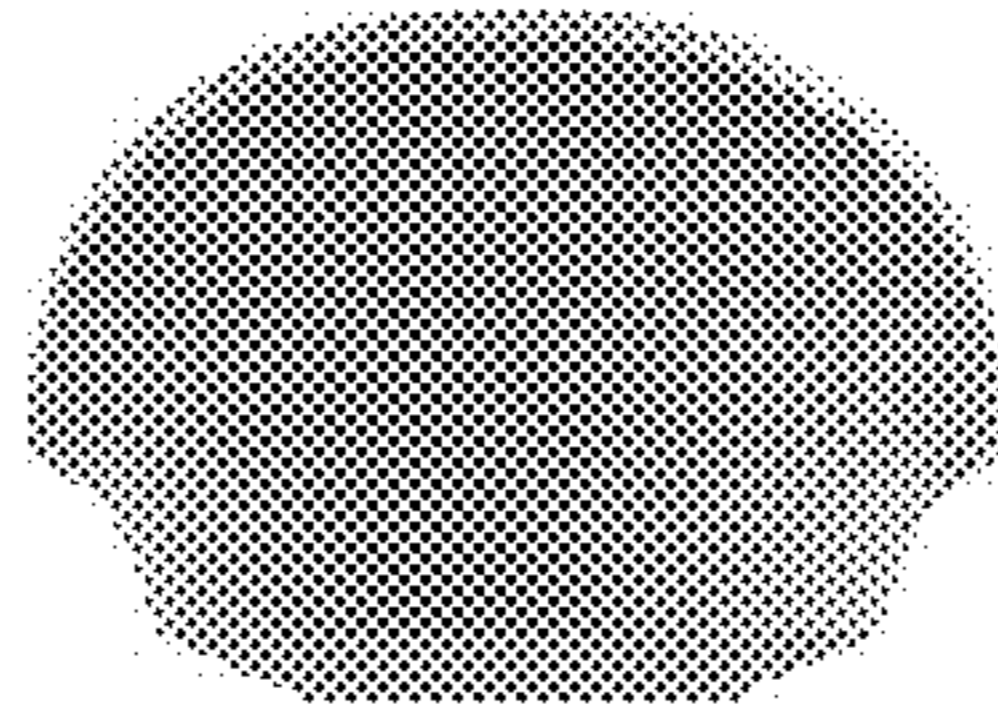


Fig. 5

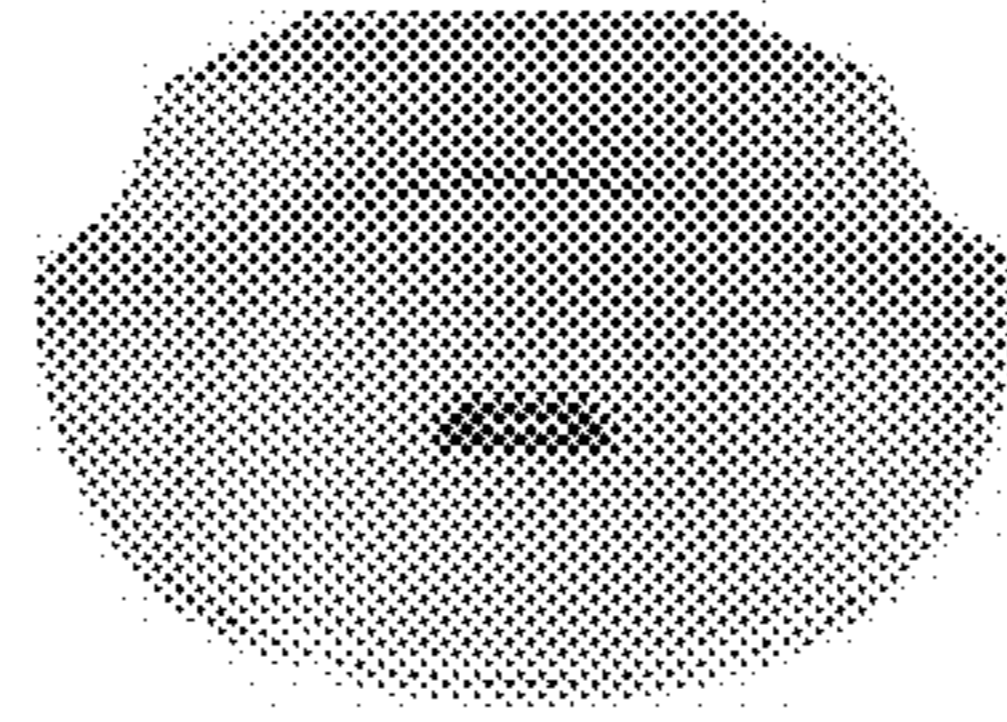


Fig. 6



Fig. 7

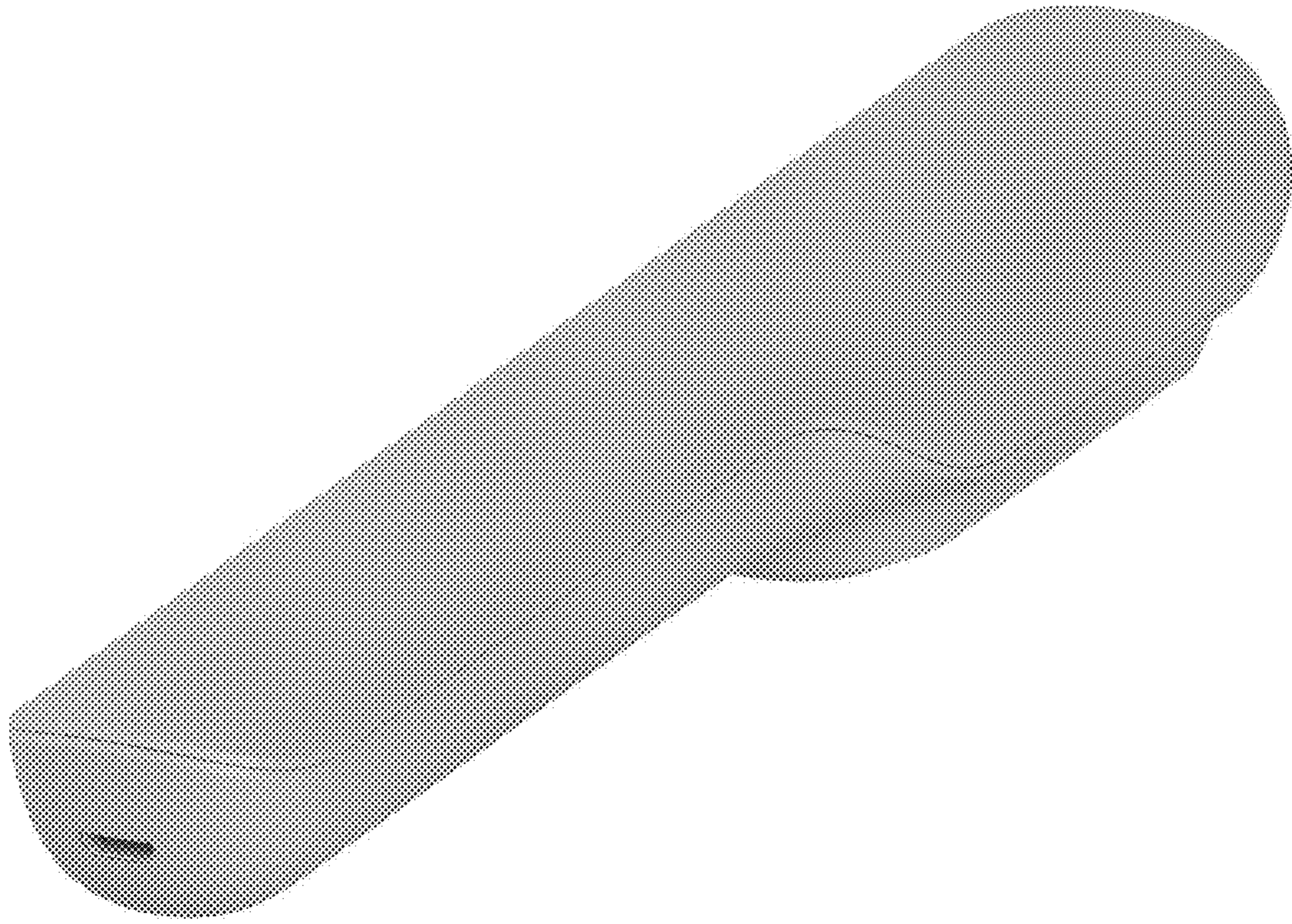


Fig. 8

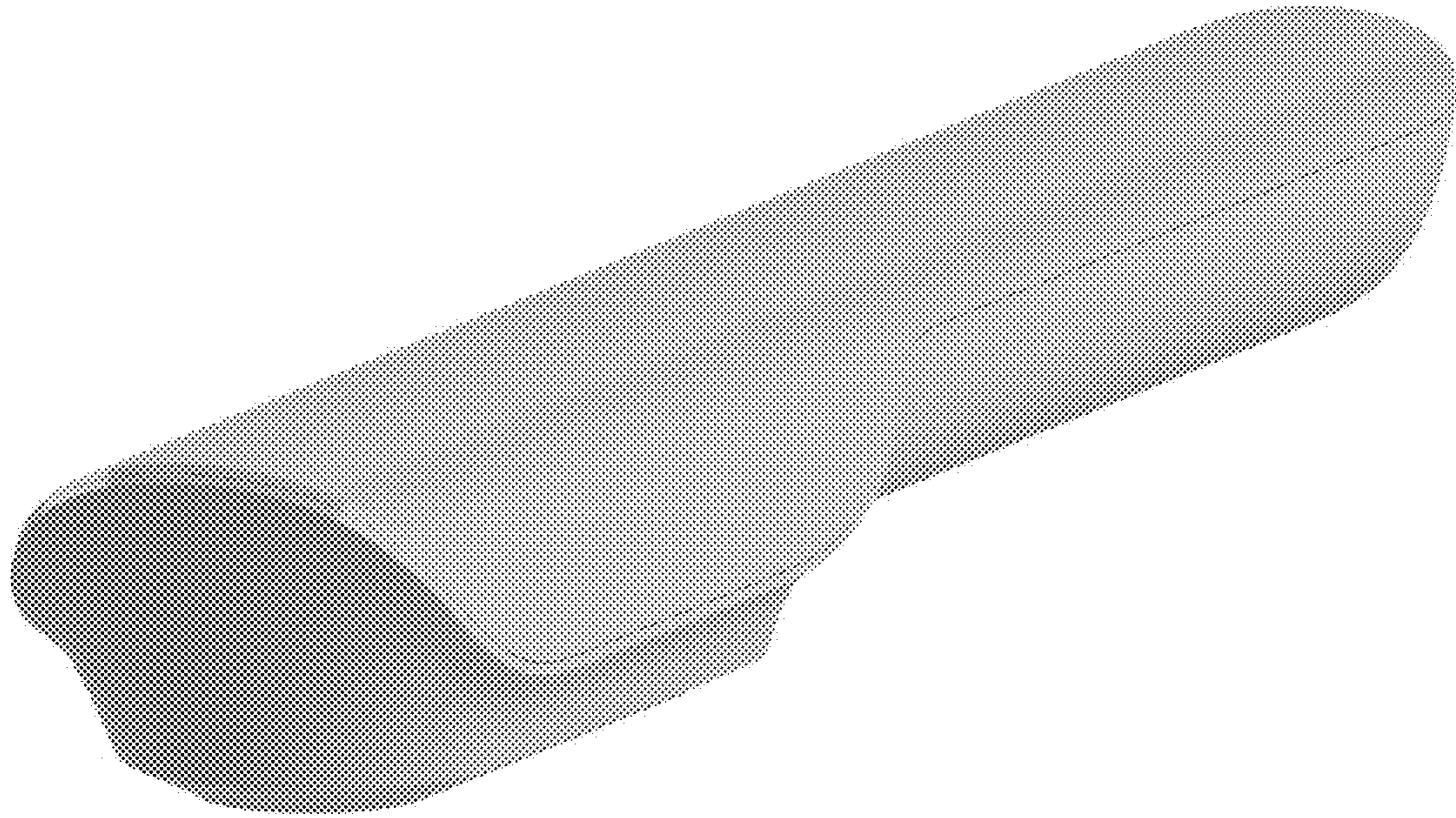


Fig. 9

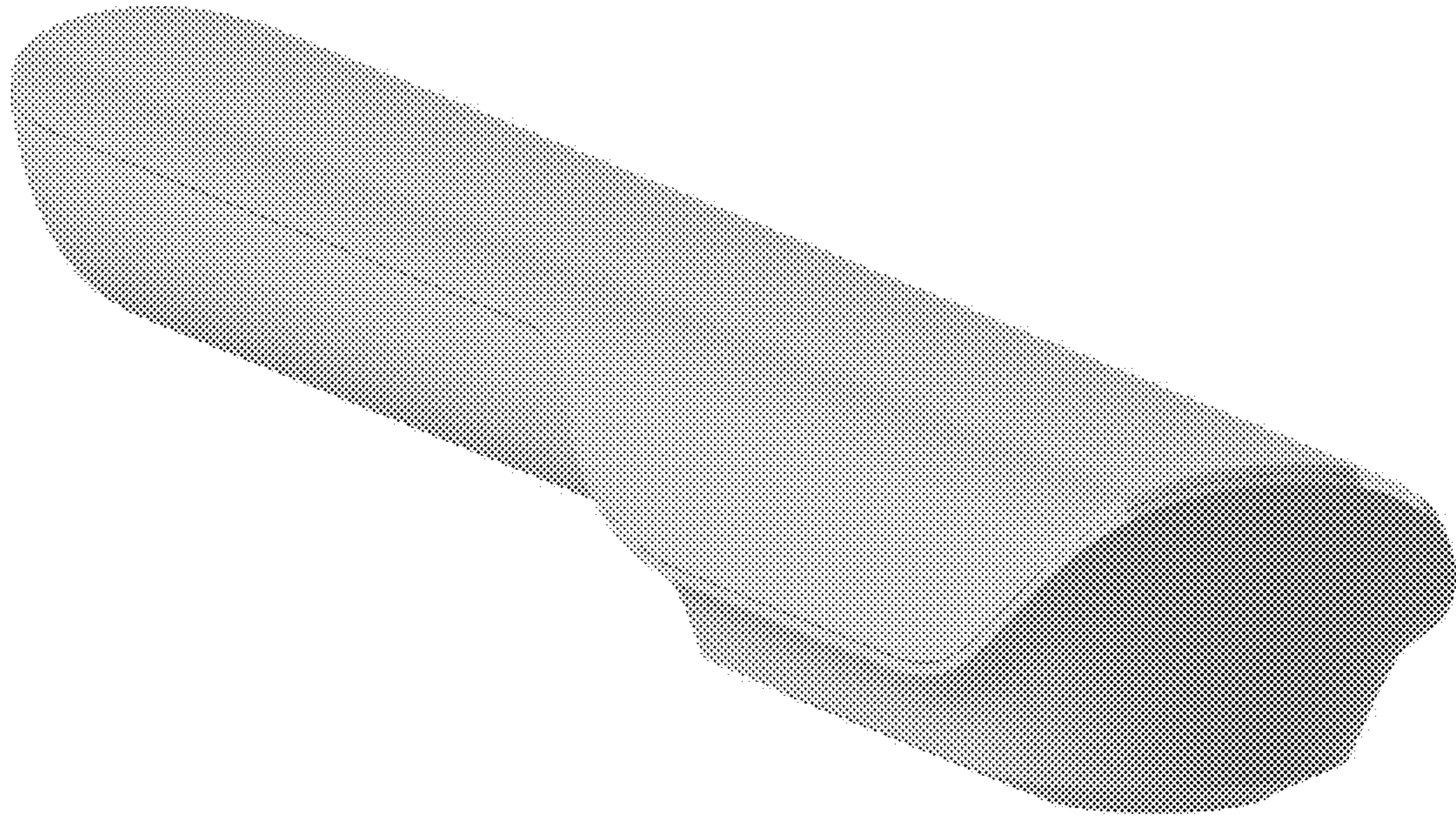


Fig. 10