



US00D987831S

(12) **United States Design Patent** (10) **Patent No.:** **US D987,831 S**  
**Fernandez** (45) **Date of Patent:** **\*\* May 30, 2023**

(54) **PATIENT REPOSITIONING DEVICE**

(71) Applicant: **Lisette Fernandez**, New York, NY  
(US)

(72) Inventor: **Lisette Fernandez**, New York, NY  
(US)

(\*\*) Term: **15 Years**

(21) Appl. No.: **29/742,035**

(22) Filed: **Oct. 3, 2019**

(51) **LOC (14) Cl.** ..... **24-02**

(52) **U.S. Cl.**  
USPC ..... **D24/183**

(58) **Field of Classification Search**  
USPC ..... D24/183–184, 188, 190–191, 200, 211,  
D24/215; D6/392, 596, 601; D29/101.3  
CPC ..... A61B 34/71; A61B 90/14; A61G 7/10;  
A61G 13/12; A61G 13/0036; A61G  
13/0054; A61G 13/1285; A61G 13/1295;  
B41L 19/00; A47C 21/00; A47C 21/003  
See application file for complete search history.

(56) **References Cited**

**U.S. PATENT DOCUMENTS**

5,394,799 A \* 3/1995 Rhodes ..... B41L 19/00  
101/269  
D378,615 S \* 3/1997 Neviasser ..... D24/190

5,623,949 A \* 4/1997 Kostich ..... A61G 13/12  
128/845  
D436,281 S \* 1/2001 Thompson ..... D6/333  
D675,467 S \* 2/2013 Gil Gomez ..... D6/606  
D690,424 S \* 9/2013 Ponsi ..... D24/183  
D907,777 S \* 1/2021 Hahn ..... D24/171  
2012/0186587 A1 \* 7/2012 Steffens ..... A61G 7/1026  
128/845  
2013/0205495 A1 \* 8/2013 Ponsi ..... A61G 7/015  
5/81.1 HS

\* cited by examiner

*Primary Examiner* — Omeed Agilee

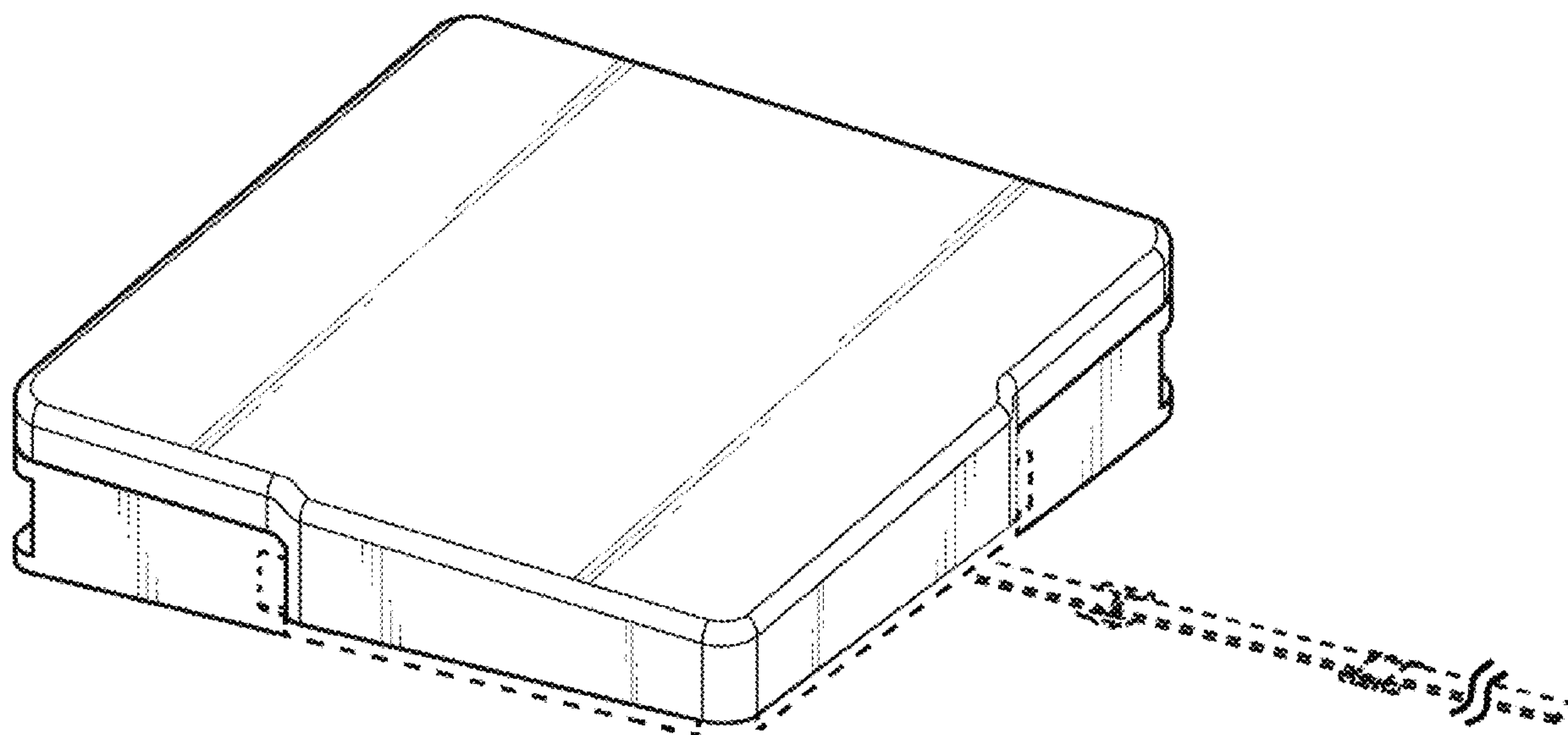
(57) **CLAIM**

The ornamental design for a patient repositioning device, as shown and described.

**DESCRIPTION**

FIG. 1 is an isometric view of a patient repositioning device showing my new design;  
 FIG. 2 is a front elevational view thereof;  
 FIG. 3 is a rear elevational view thereof;  
 FIG. 4 is a right elevational view thereof;  
 FIG. 5 is a left side elevational view thereof; and,  
 FIG. 6 is a top planar view thereof showing my design.  
 The broken lines depict portions of the patient repositioning device that form no part of the claimed design.

**1 Claim, 3 Drawing Sheets**



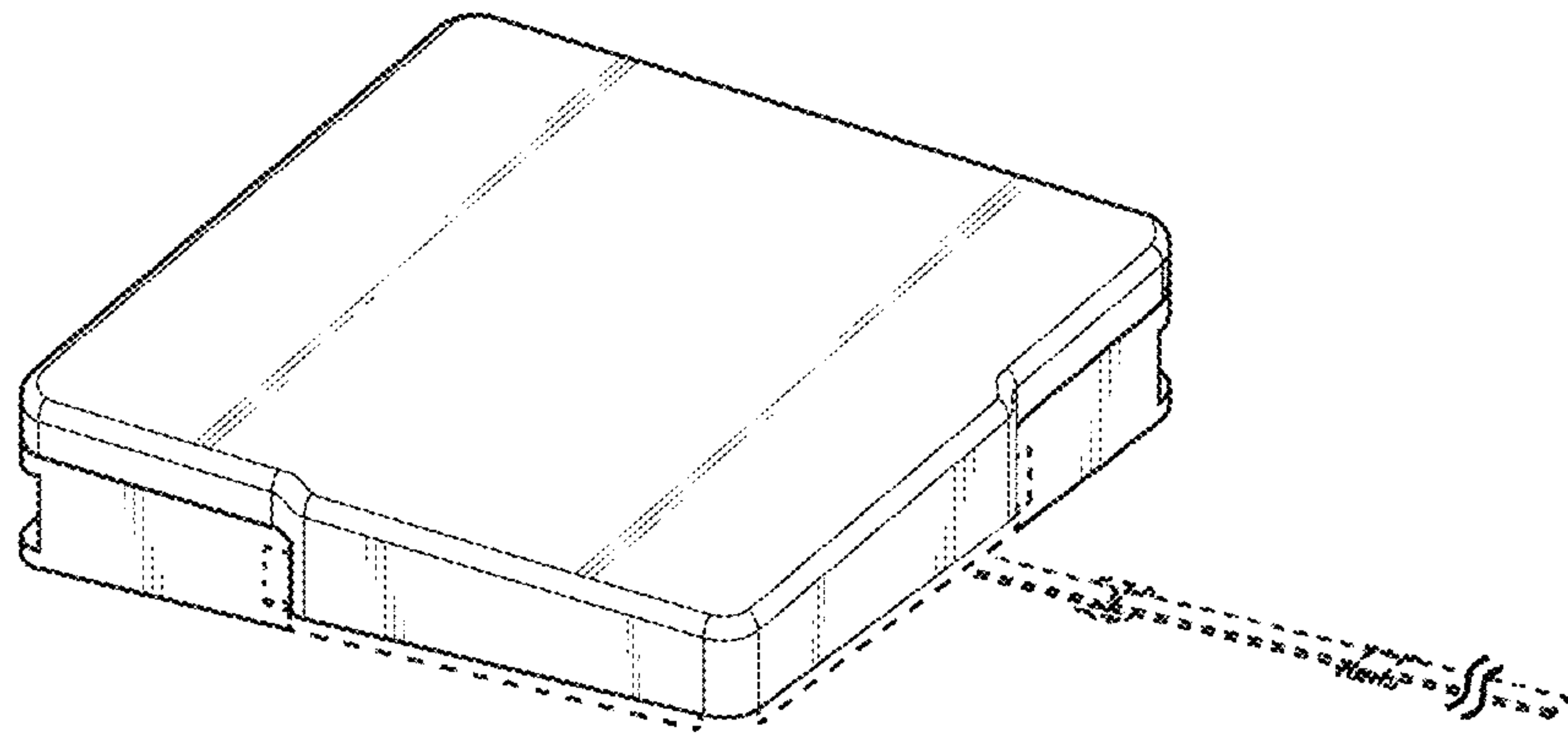


FIG. 1

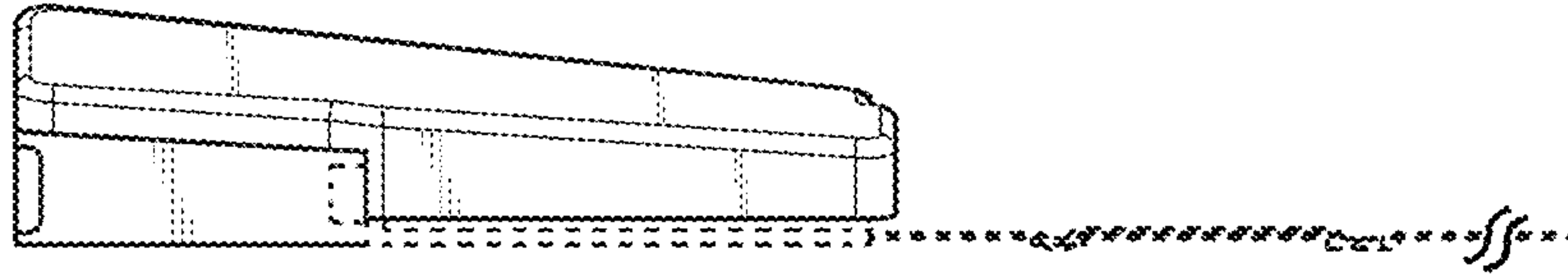


FIG. 2

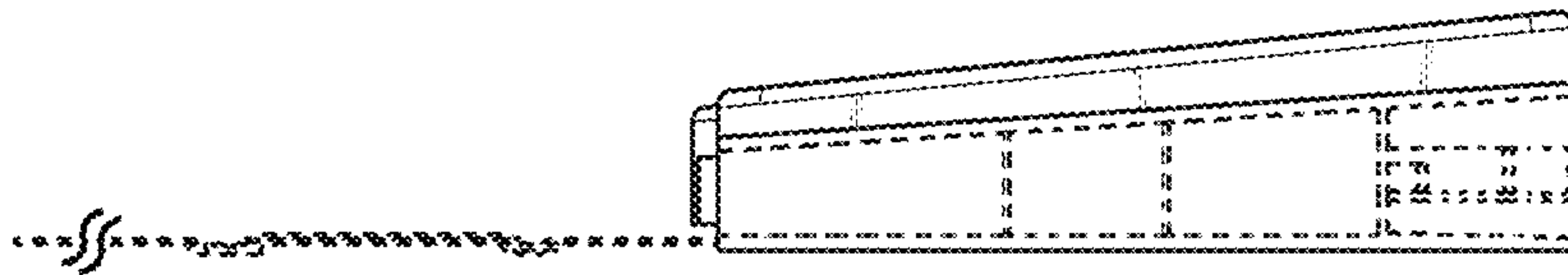


FIG. 3

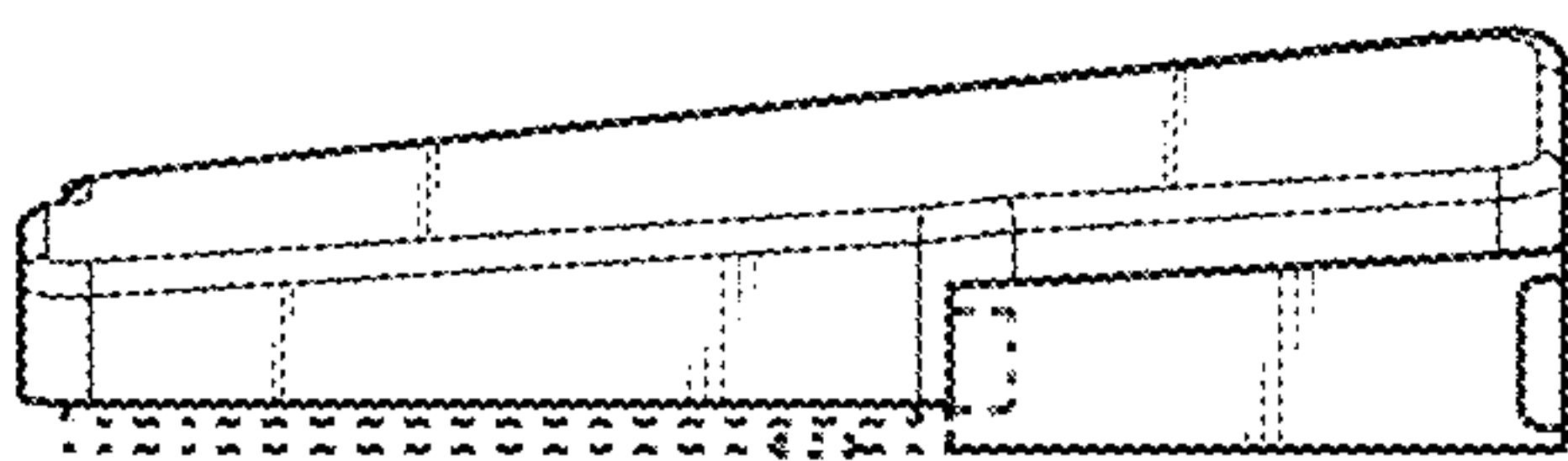


FIG. 4

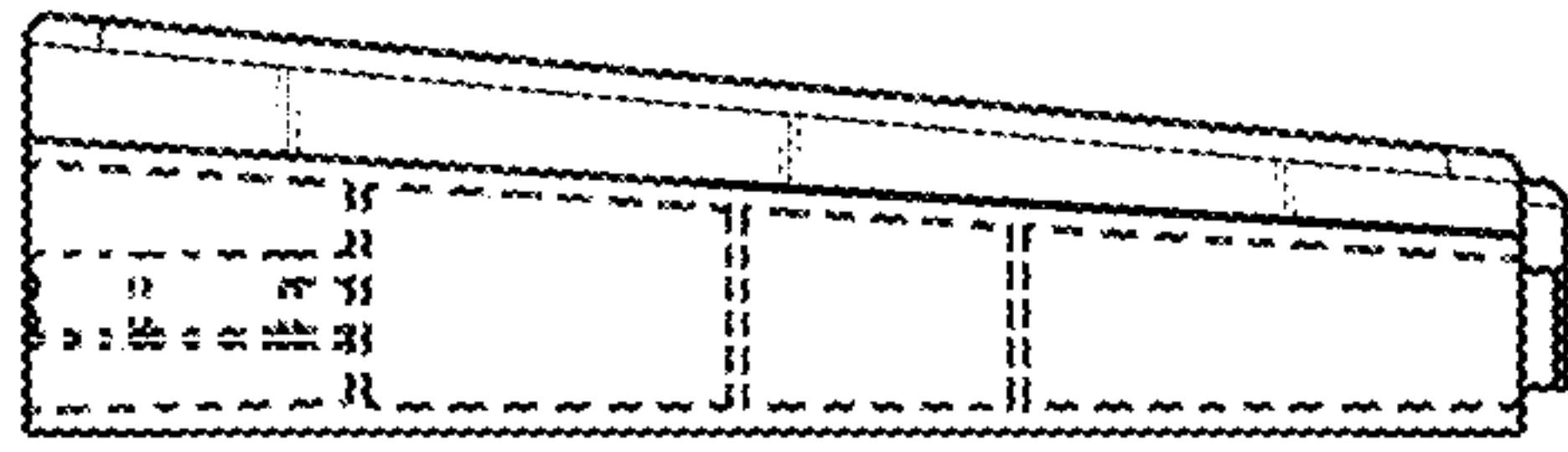


FIG. 5

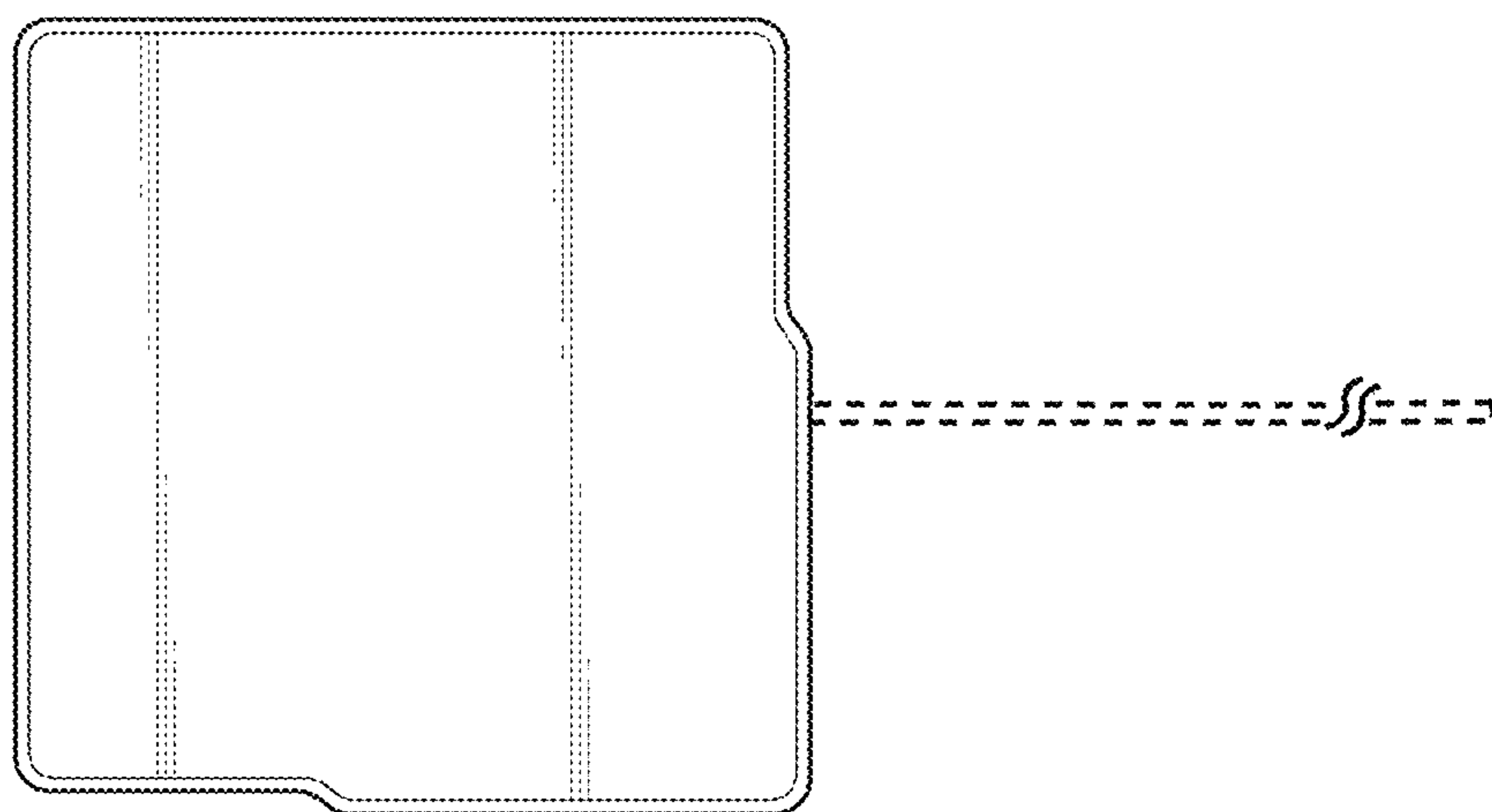


FIG. 6