



US00D987829S

(12) **United States Design Patent**
Sharp

(10) **Patent No.:** **US D987,829 S**

(45) **Date of Patent:** **** May 30, 2023**

(54) **SOFT-LINED DENTURE**

(71) Applicant: **Jamie Sharp**, Black Diamond, WA
(US)

(72) Inventor: **Jamie Sharp**, Black Diamond, WA
(US)

(**) Term: **15 Years**

(21) Appl. No.: **29/802,518**

(22) Filed: **Aug. 5, 2021**

(51) **LOC (14) Cl.** **24-03**

(52) **U.S. Cl.**
USPC **D24/180; D24/156**

(58) **Field of Classification Search**
USPC D24/156, 180
CPC A61C 7/08; A61C 7/36
See application file for complete search history.

(56) **References Cited**

U.S. PATENT DOCUMENTS

| | | | | |
|---------------|---------|---------|-------|-------------------------|
| 3,838,513 A * | 10/1974 | Katz | | A61C 13/0001 433/171 |
| 4,521,193 A * | 6/1985 | Cialone | | A61C 13/04 433/199.1 |
| 4,681,543 A * | 7/1987 | Monroy | | A61C 13/00 433/167 |

| | | | | |
|-------------------|---------|-----------|-------|---------------------------|
| 4,746,469 A * | 5/1988 | Yamashita | | A61K 6/90 264/17 |
| 4,978,298 A * | 12/1990 | Eliasz | | A61C 13/04 433/213 |
| 5,061,182 A * | 10/1991 | Kubo | | A61C 13/0025 433/199.1 |
| 2019/0099248 A1 * | 4/2019 | Chi | | A61C 13/245 |
| 2022/0054361 A1 * | 2/2022 | Lin | | A61J 7/0061 |
| 2022/0280271 A1 * | 9/2022 | Sharp | | A61C 13/0025 |

* cited by examiner

Primary Examiner — Charles D Hanson

(74) *Attorney, Agent, or Firm* — Lyman Moulton, Esq.;
Moulton Patents, PLLC

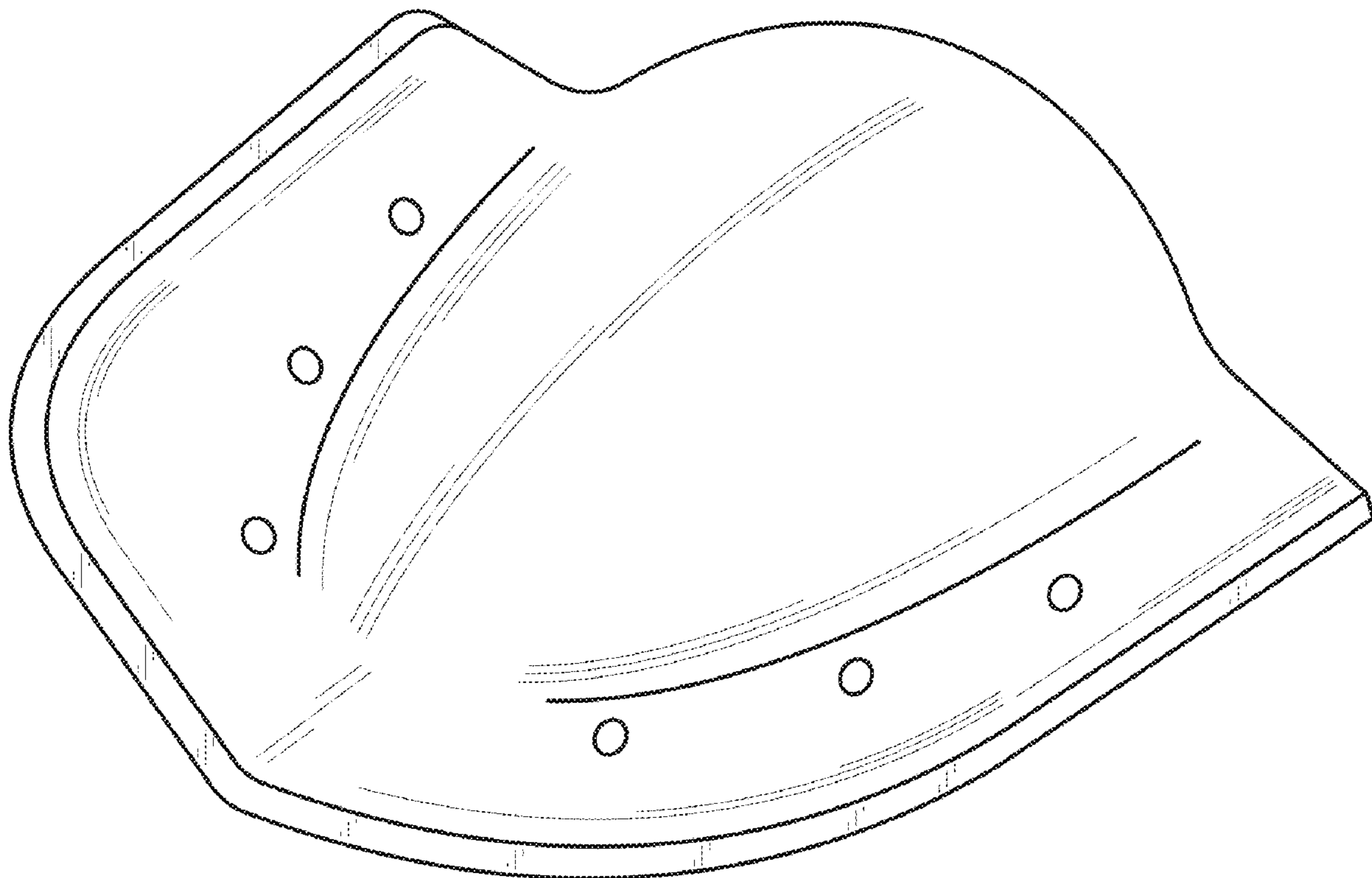
(57) **CLAIM**

The ornamental design for a soft lined denture, as shown and described.

DESCRIPTION

FIG. 1 is a top perspective view of the soft lined denture, FIG. 2 is a front end elevational view thereof, FIG. 3 is a back end elevational view thereof, FIG. 4 is a top elevational view thereof, FIG. 5 is a bottom elevational view thereof, FIG. 6 is a right side elevational view thereof; and, FIG. 7 is a left side elevational view thereof.

1 Claim, 7 Drawing Sheets



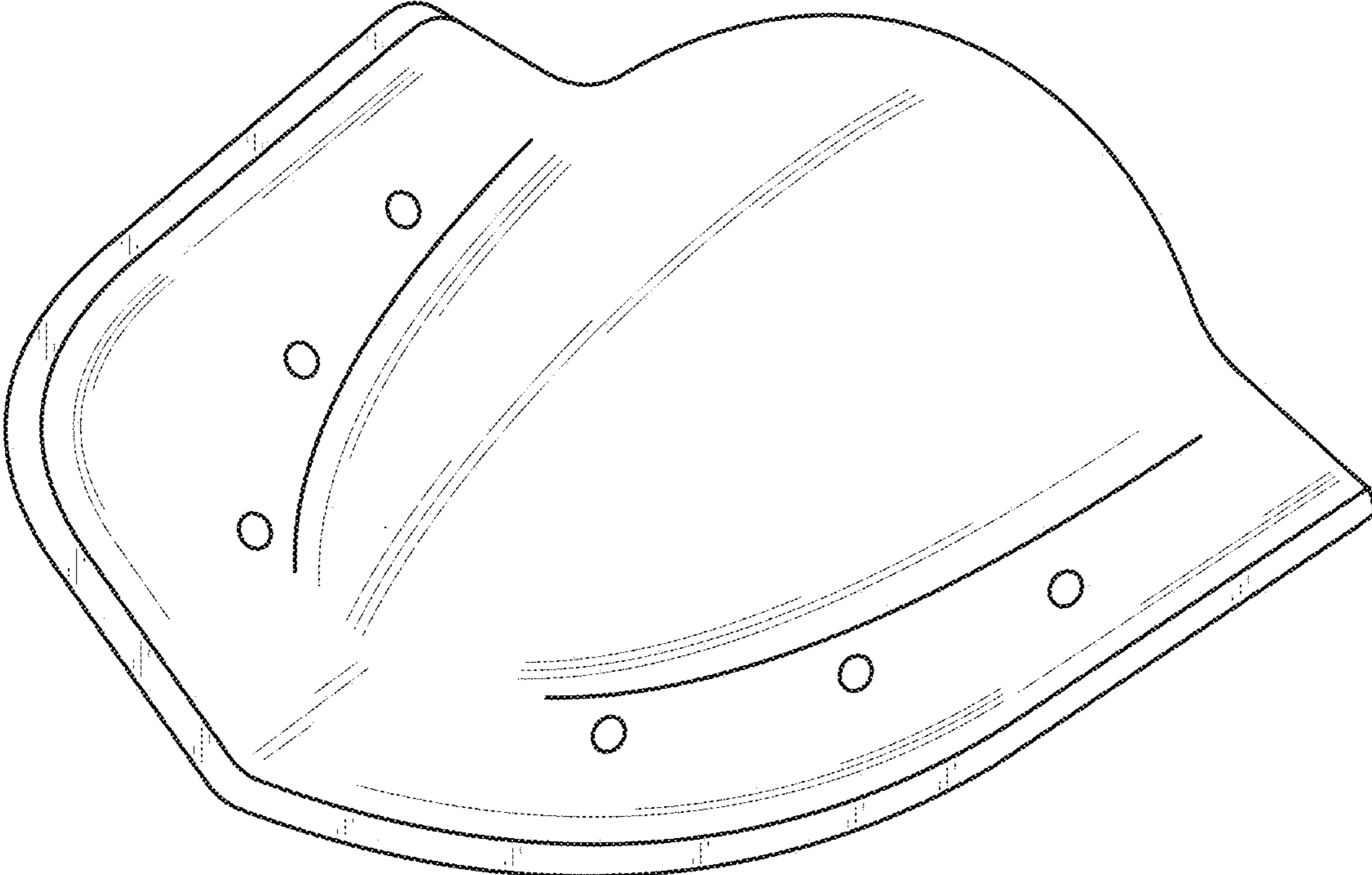


FIG. 1

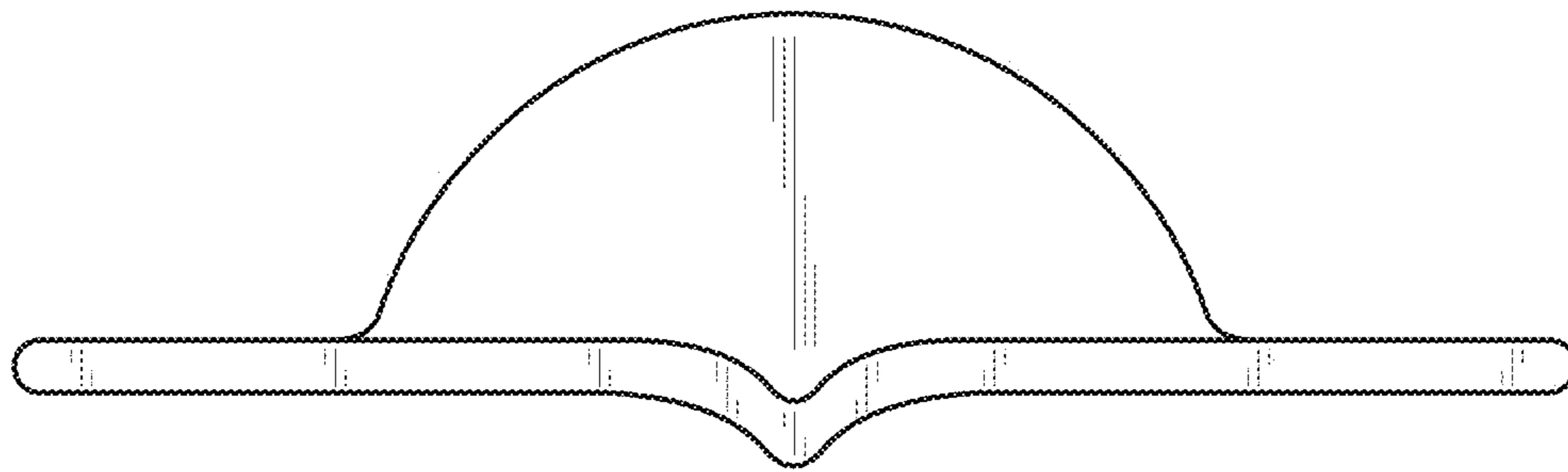


FIG. 2

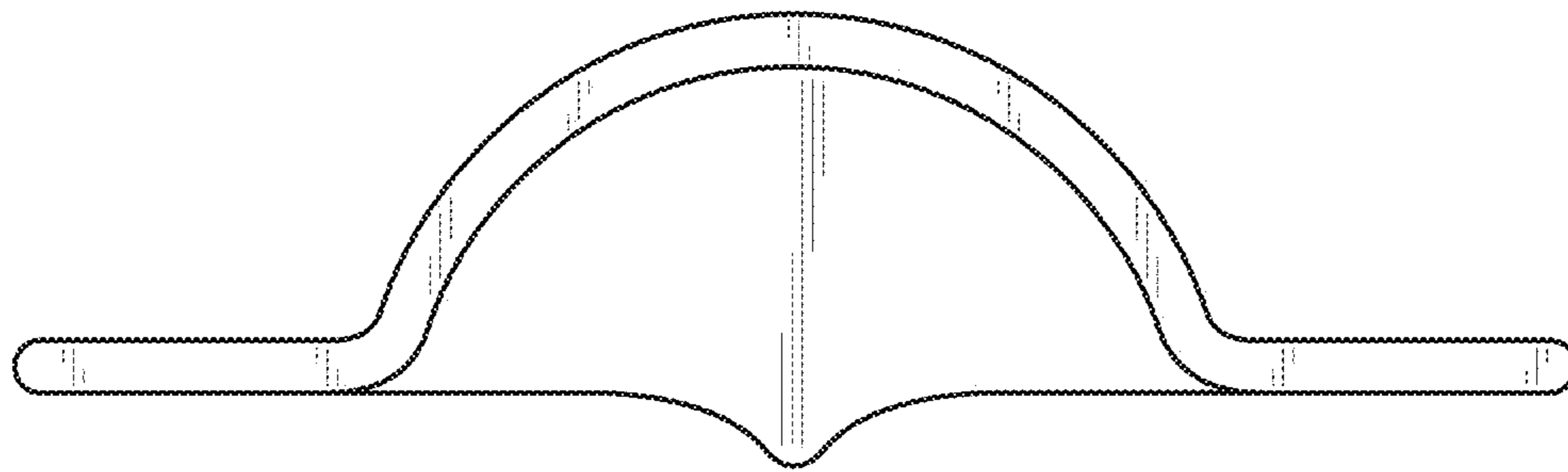


FIG. 3

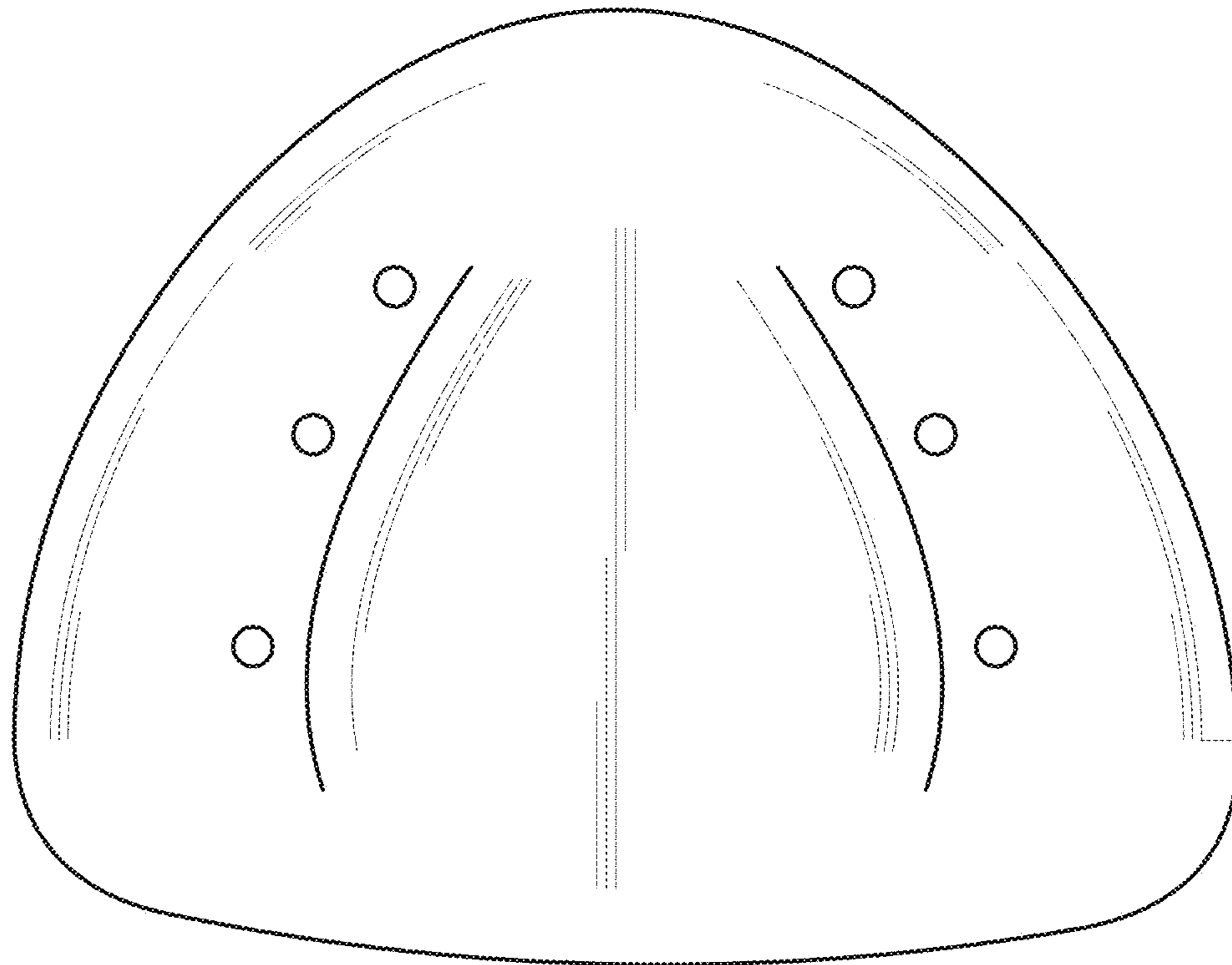


FIG. 4

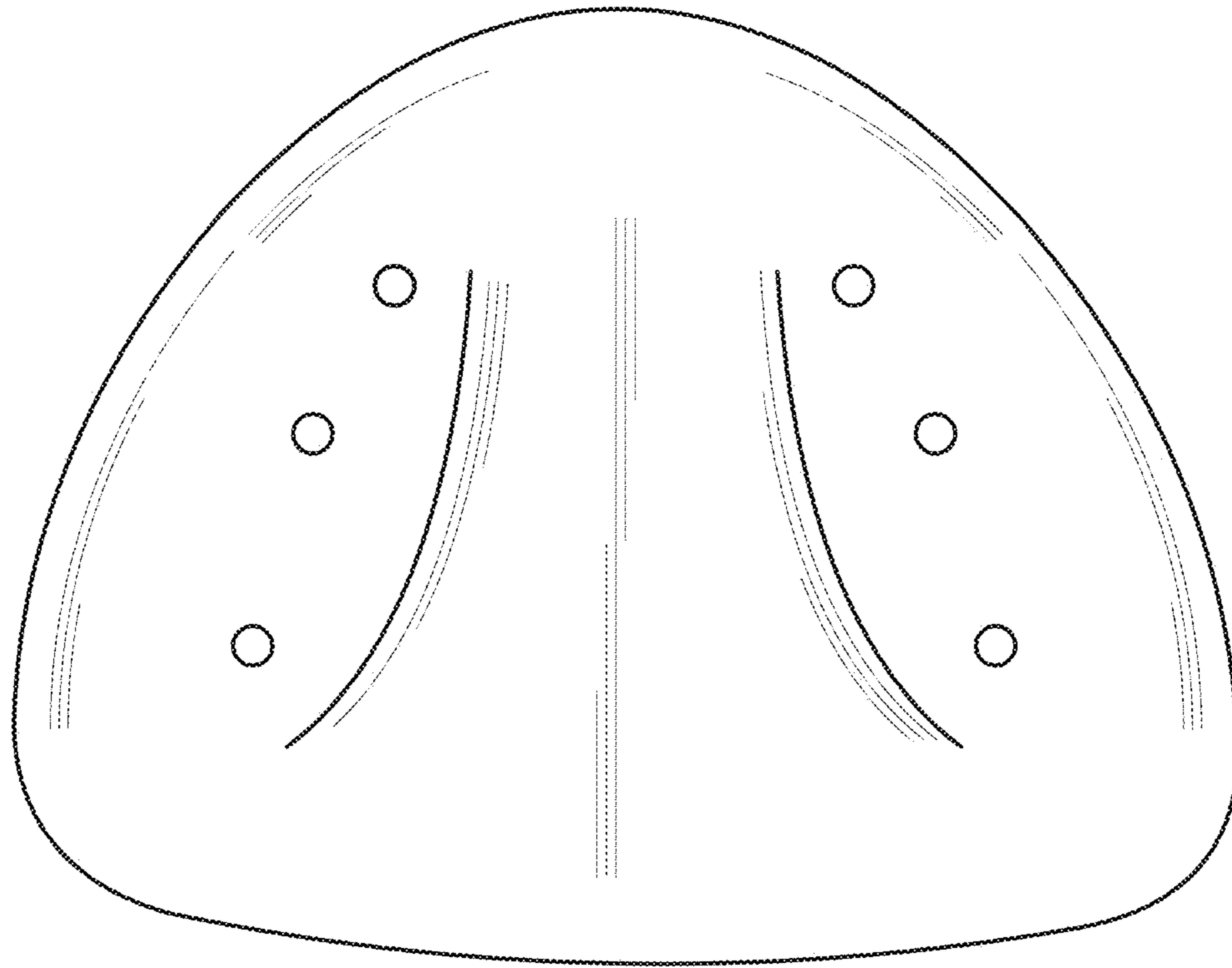


FIG. 5

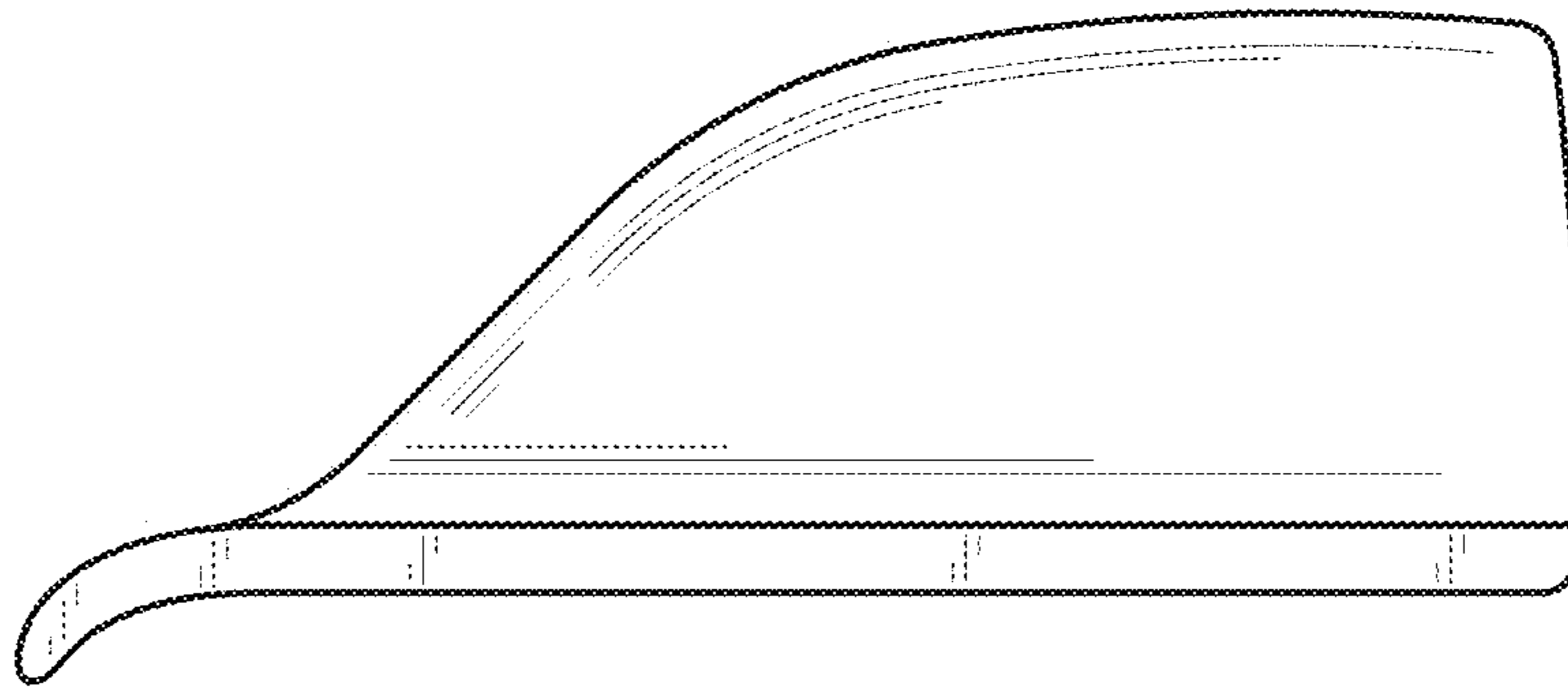


FIG. 6

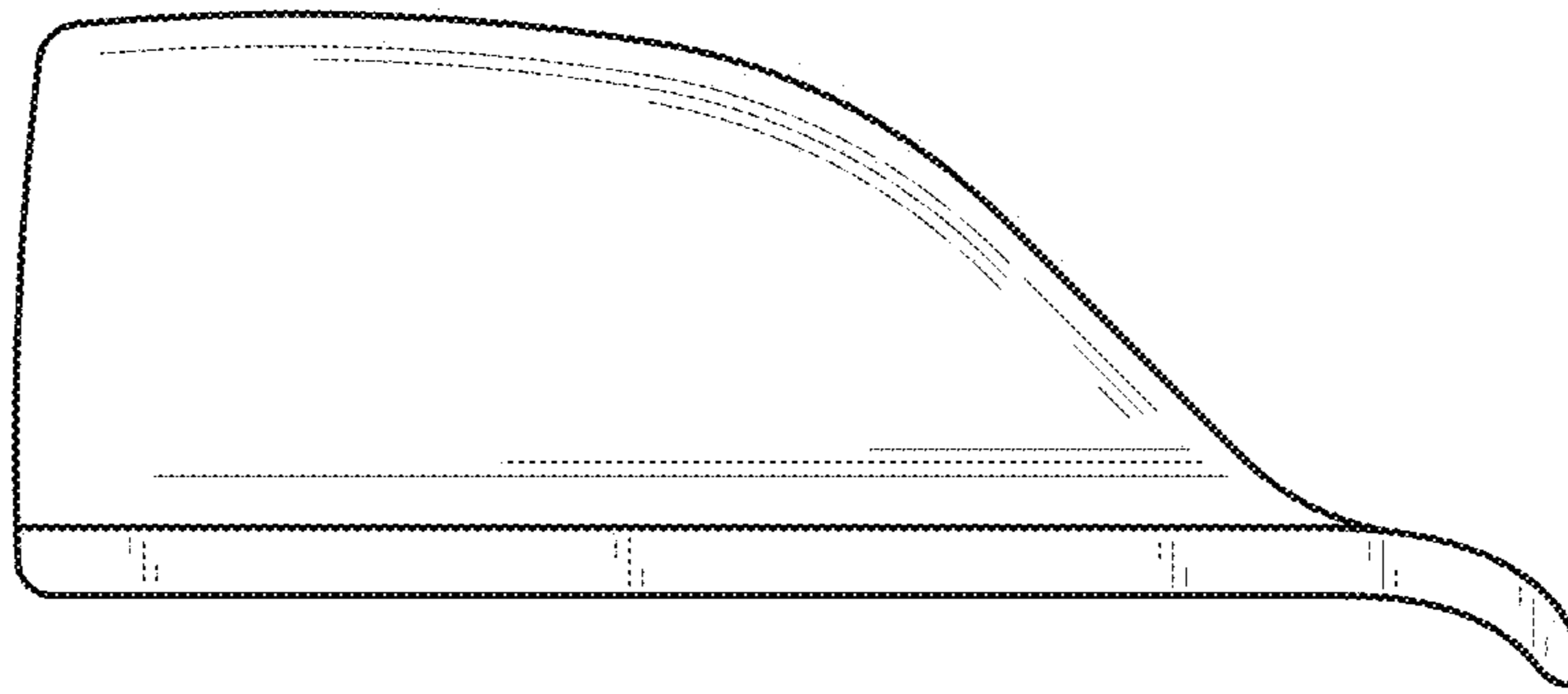


FIG. 7