



US00D987823S

(12) **United States Design Patent**
Rittierott et al.

(10) **Patent No.:** **US D987,823 S**

(45) **Date of Patent:** **** May 30, 2023**

(54) **MICRONEEDLER**

(71) Applicant: **Michael Tomerius**, Wolfenbuettel (DE)

(72) Inventors: **Claas Rittierott**, Wolfenbuettel (DE);
Jochen Puetz, Wolfenbuettel (DE)

(73) Assignee: **Michael Tomerius**, Wolfenbüttel (DE)

(**) Term: **15 Years**

(21) Appl. No.: **29/715,520**

(22) Filed: **Dec. 3, 2019**

(30) **Foreign Application Priority Data**

Jun. 3, 2019 (EM) 006562179-001

(51) **LOC (14) Cl.** **24-02**

(52) **U.S. Cl.**
USPC **D24/146**

(58) **Field of Classification Search**
USPC D24/146, 147, 133, 144, 145, 214;
D8/30
CPC A61M 37/00; A61M 37/0015; A61M
37/0076; A61M 37/0084; A61M
2037/0023; A61M 2037/0046; A61M 5/46
See application file for complete search history.

(56) **References Cited**

U.S. PATENT DOCUMENTS

D726,314 S * 4/2015 Marquez D24/144
D733,290 S * 6/2015 Burton A61M 37/0015
D24/119

D791,946 S * 7/2017 Schwartz D24/146
D840,547 S * 2/2019 Harle D24/214
2004/0186501 A1* 9/2004 Su A61M 37/0076
606/185
2012/0041374 A1* 2/2012 Lee A61M 37/0076
604/173
2014/0088502 A1* 3/2014 Matheny A61K 35/32
604/121
2014/0094837 A1* 4/2014 Danenberg A61M 37/0076
606/186

* cited by examiner

Primary Examiner — Daniel J Domino

Assistant Examiner — Lee D. Starr

(74) *Attorney, Agent, or Firm* — Grossman, Tucker,
Perreault & Pflieger, PLLC

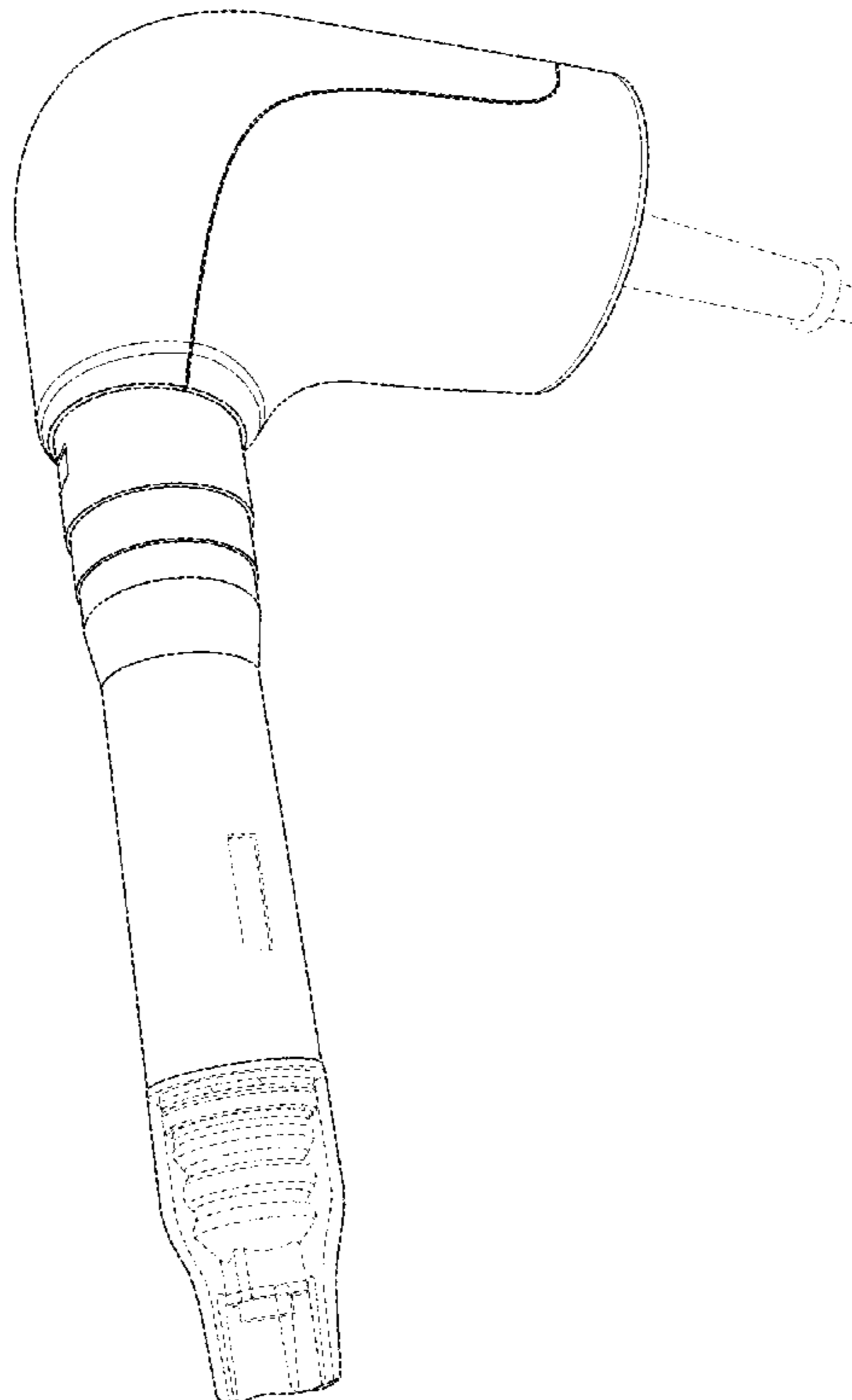
(57) **CLAIM**

The ornamental design for a microneedler, as shown and described.

DESCRIPTION

FIG. 1 is a perspective view of a microneedler of the present invention;
FIG. 2 is a left-side view thereof;
FIG. 3 is a right-side view thereof;
FIG. 4 is a top view thereof;
FIG. 5 is a rear elevation view thereof;
FIG. 6 is a front elevation view thereof; and,
FIG. 7 is a bottom view thereof.
Portions of the microneedler shown in broken lines in FIGS. 1-7 form no part of the claimed design.

1 Claim, 7 Drawing Sheets



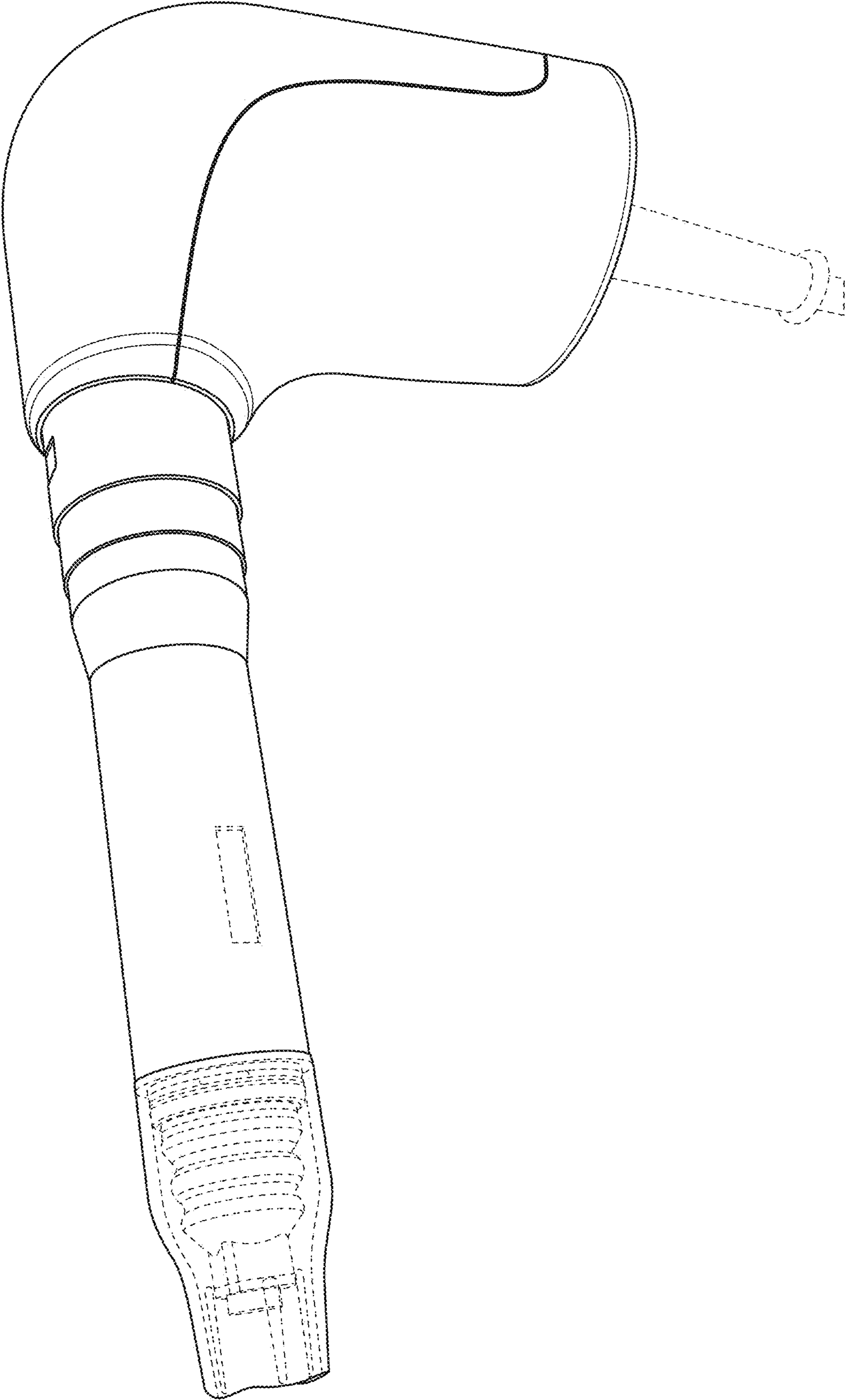


FIG. 1

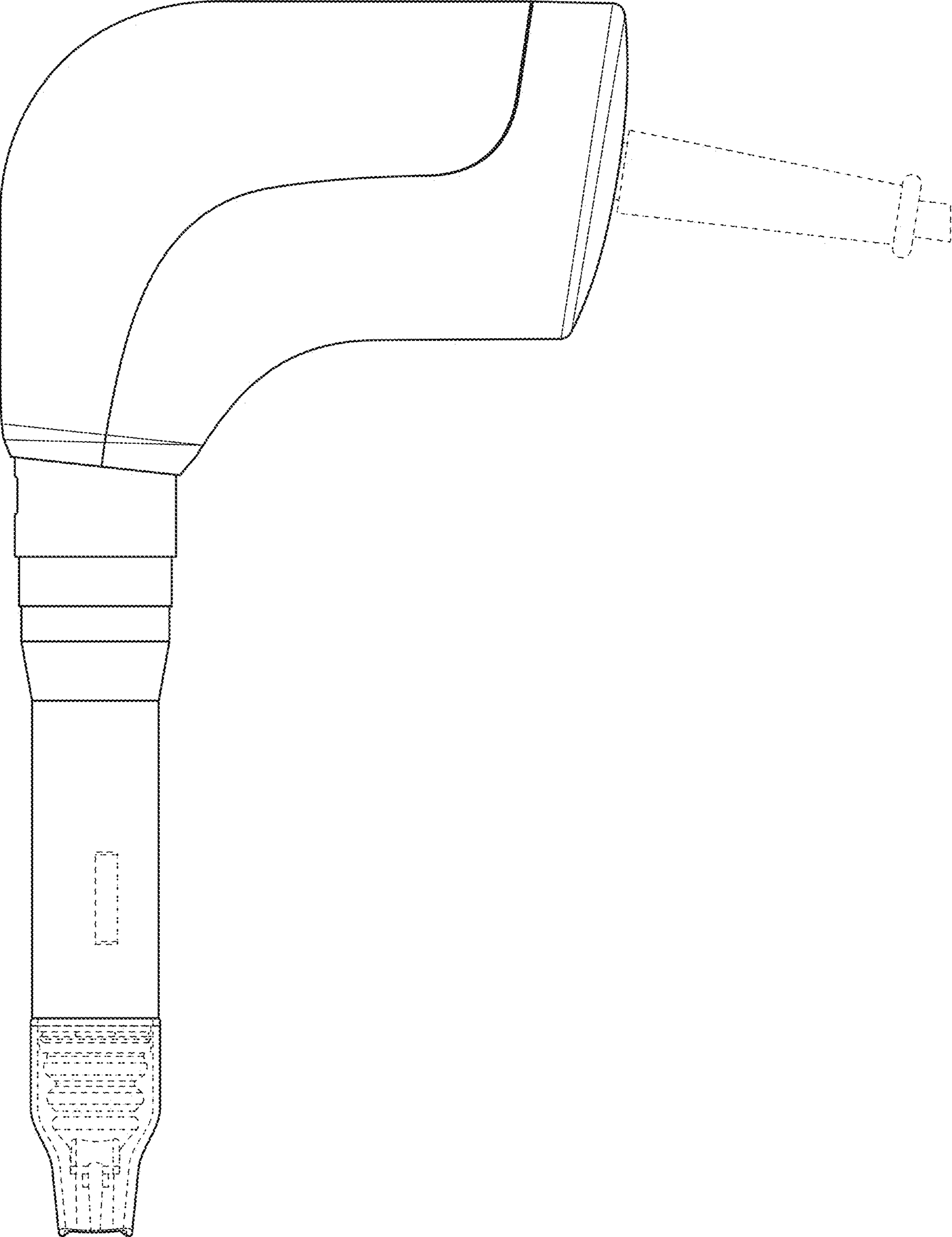


FIG. 2

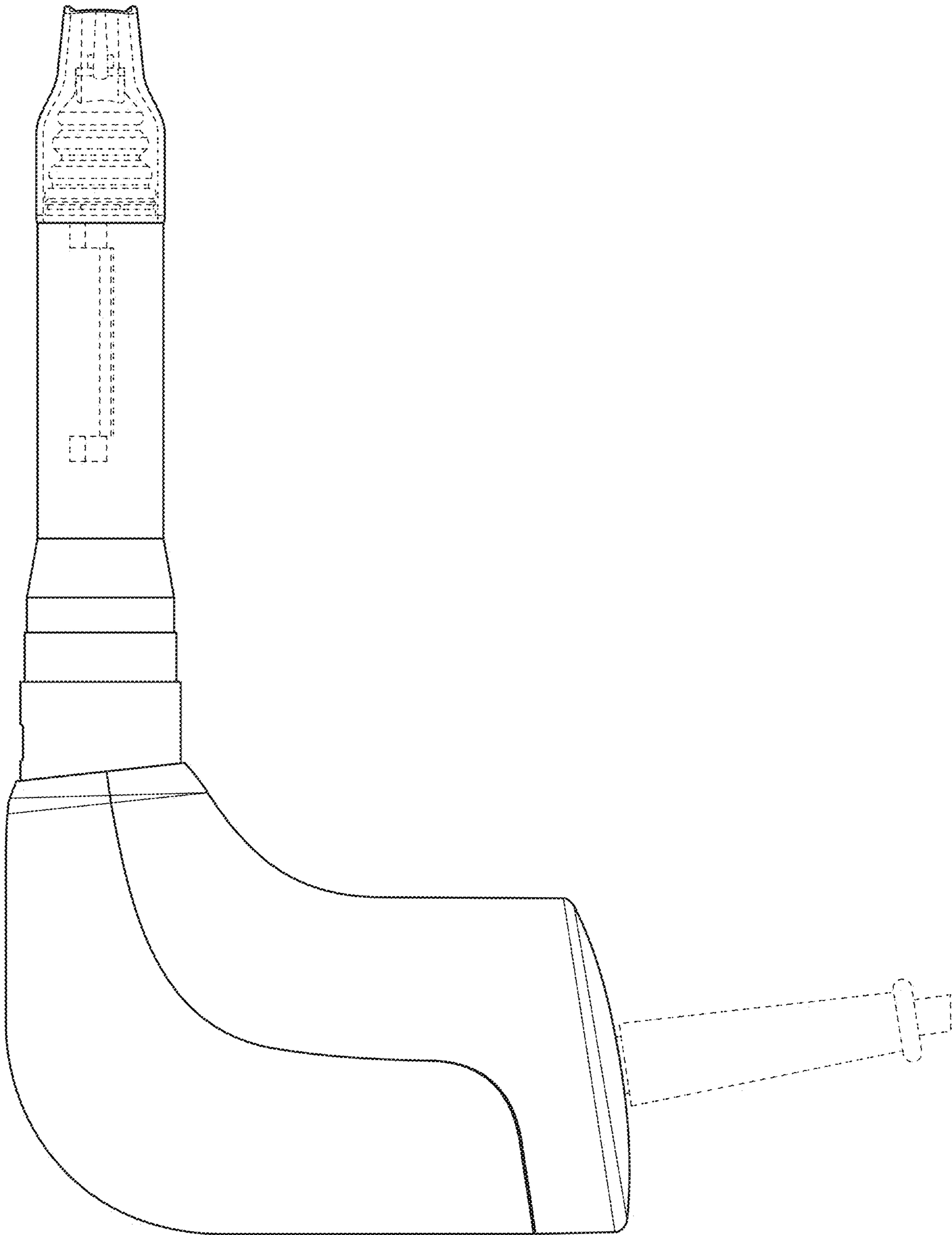


FIG. 3

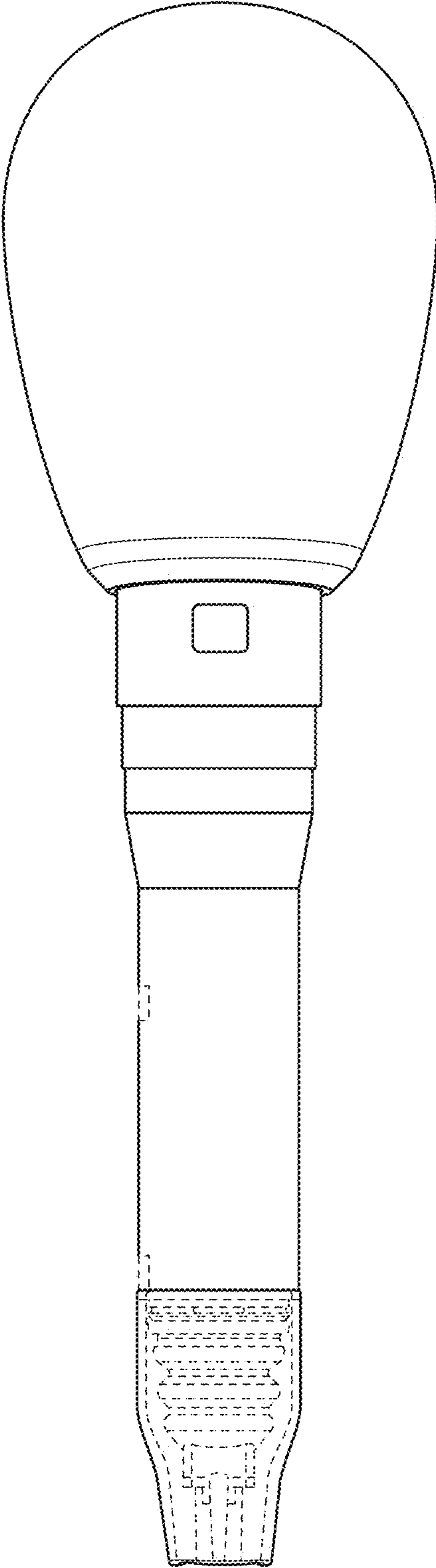


FIG. 4

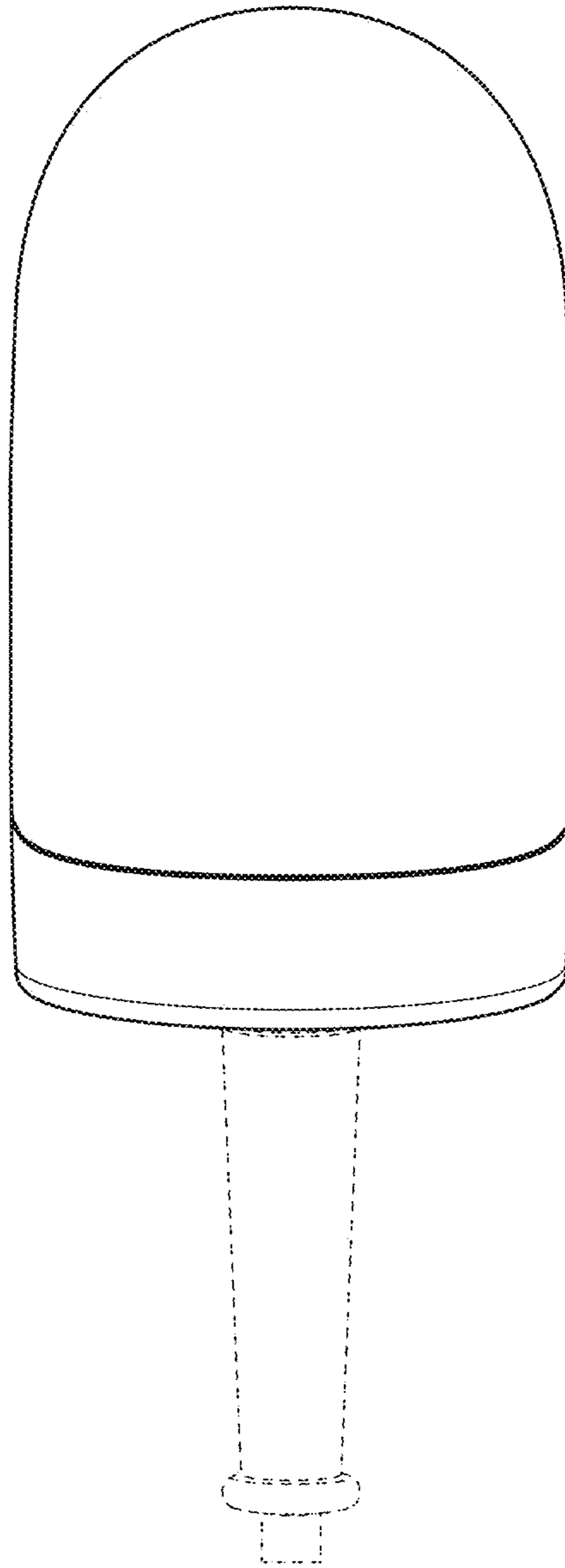


FIG. 5

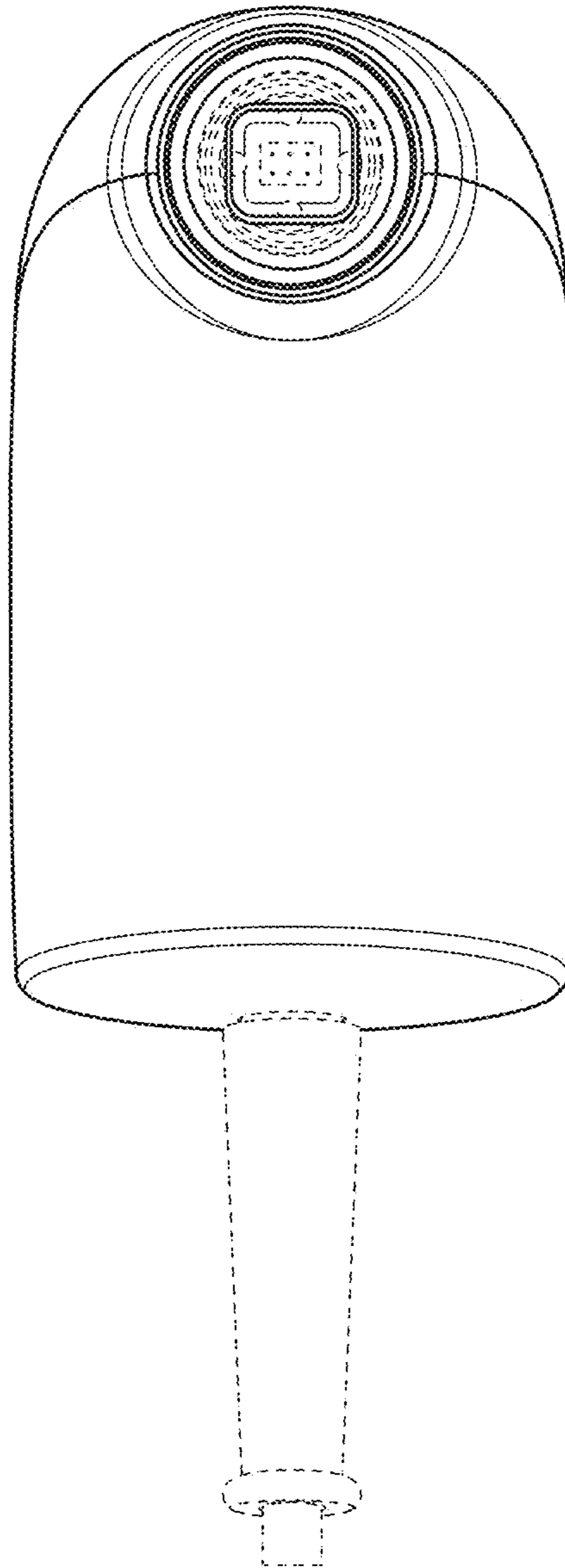


FIG. 6

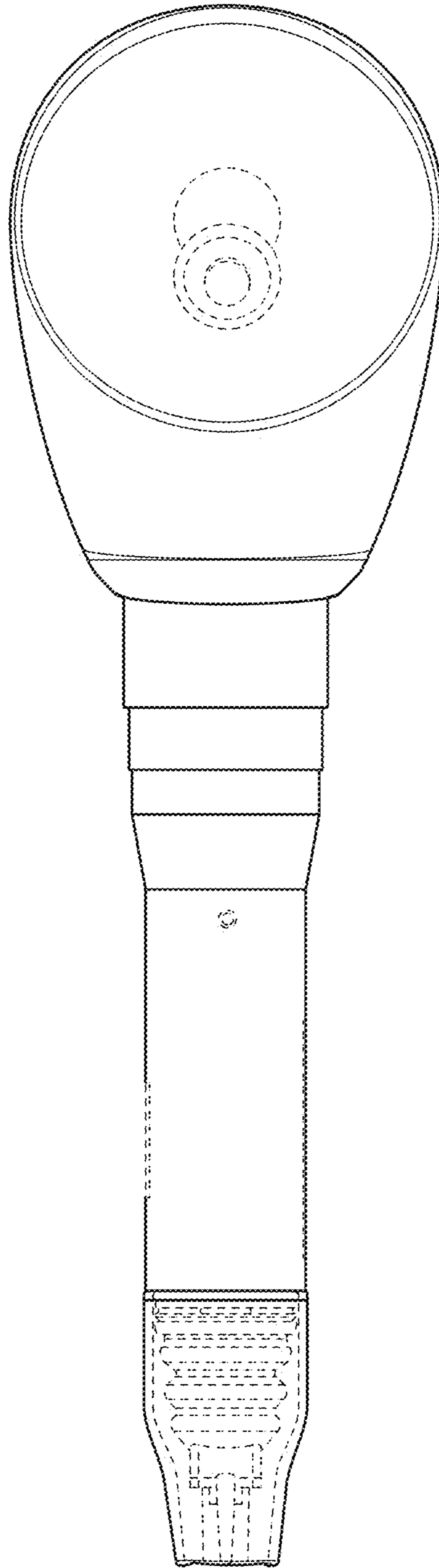


FIG. 7