



US00D987822S

(12) **United States Design Patent**
Crowder et al.

(10) **Patent No.:** **US D987,822 S**
(45) **Date of Patent:** **** May 30, 2023**

(54) **CANNULA RELEASE DEVICE**

(71) Applicants: **Mckay S. Crowder**, Tucson, AZ (US);
John Francis Wells, Tucson, AZ (US)

(72) Inventors: **Mckay S. Crowder**, Tucson, AZ (US);
John Francis Wells, Tucson, AZ (US)

(**) Term: **15 Years**

(21) Appl. No.: **29/861,323**

(22) Filed: **Nov. 29, 2022**

Related U.S. Application Data

(63) Continuation of application No. 29/861,306, filed on
Nov. 29, 2022.

(51) **LOC (14) Cl.** **24-02**

(52) **U.S. Cl.**
USPC **D24/112; D24/127**

(58) **Field of Classification Search**
USPC D24/112, 127-130, 137, 138, 108;
D8/382, 394; D13/133, 118, 120

CPC .. F16L 23/10; A61M 25/02; A61M 2025/024;
A61M 2025/0098; A61F 9/0026

See application file for complete search history.

(56) **References Cited**

U.S. PATENT DOCUMENTS

D553,083	S	*	10/2007	Han	D13/133
D704,040	S	*	5/2014	Kosaku	D8/394
D724,029	S	*	3/2015	Huang	D13/133
D808,636	S	*	1/2018	Ma	D3/10
D828,920	S	*	9/2018	Koehler	D24/128
10,207,073	B2	*	2/2019	Miller	G01F 15/18
11,040,186	B2	*	6/2021	Burkholz	A61M 39/288
D950,045	S	*	4/2022	Black, III	D24/127
D950,046	S	*	4/2022	Black, III	D24/127
D974,301	S	*	1/2023	Hirmke	D13/133
D979,389	S	*	2/2023	Ishida	D8/382

OTHER PUBLICATIONS

Clamp, PP, White, PK100, Zoro, Zoro.com, [Post date: unknown],
[Site seen Mar. 15, 2023], Seen at URL: https://www.zoro.com/dynalon-clamp-pp-white-pk100-670715/i/G7083867/?utm_source=google&utm_medium=surfaces&utm_campaign=shoppi%E2%80%A6 (Year: 2023).*

Aexit 53mm Length Plastic Tent Fixed Clip Pole Bracket Clamp
Black, Aexit, Amazon.com, [Post date: Dec. 29, 2019], [Site seen
Mar. 20, 2023], Seen at URL: <https://www.amazon.com/Aexit-Length-Plastic-Bracket-7dd42b6590e93c196c6bab75ee6e9d4b/dp/B0838KM1K6> (Year: 2019).*

Cannula adapter by Luer, <https://liposales.com/product/accessories/luer-cannula-adapter/>, Accessed on Apr. 3, 2023, 2 pages.

Cannula adapter by Microaire, <https://www.microaire.com/products/pal-specialty-cannulas/>, Accessed on Apr. 3, 2023, 5 pages.

* cited by examiner

Primary Examiner — Natasha Vujcic

Assistant Examiner — Gilbert B Ford

(74) *Attorney, Agent, or Firm* — Quarles & Brady LLP;
Yakov S. Sidorin

(57) **CLAIM**

The ornamental design for a cannula release device, as
shown and described.

DESCRIPTION

FIG. 1 is a first perspective view of a cannula release device;

FIG. 2 is a second perspective view of the design;

FIG. 3 is a front elevational view thereof;

FIG. 4 is a rear elevational view thereof;

FIG. 5 is a first side elevational view thereof;

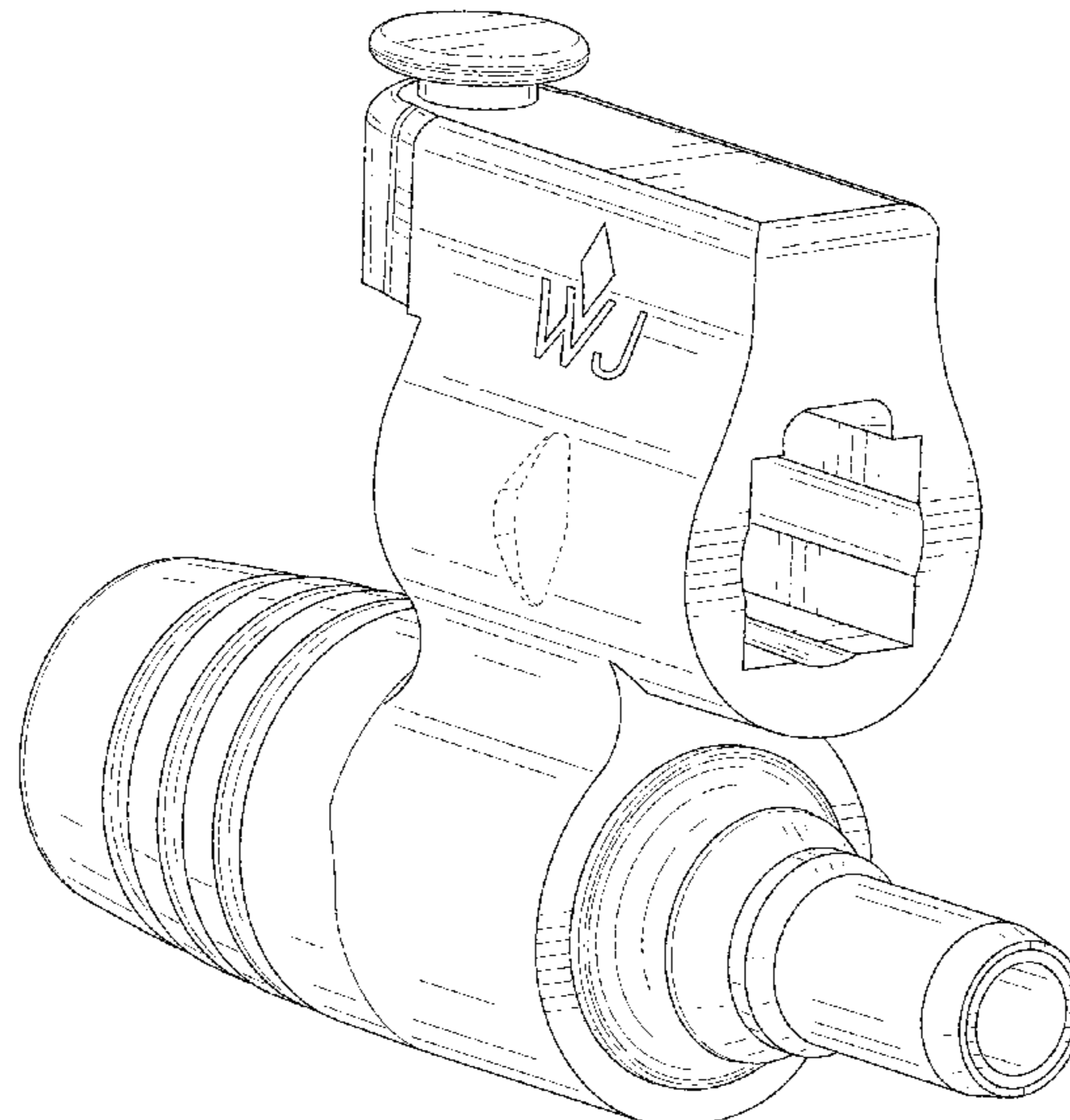
FIG. 6 is a second side elevational view thereof;

FIG. 7 is a top plan view; and,

FIG. 8 is a bottom plan view thereof.

The broken lines in the drawings illustrate portions of the
cannula release device and form no part of the claimed
design.

1 Claim, 6 Drawing Sheets



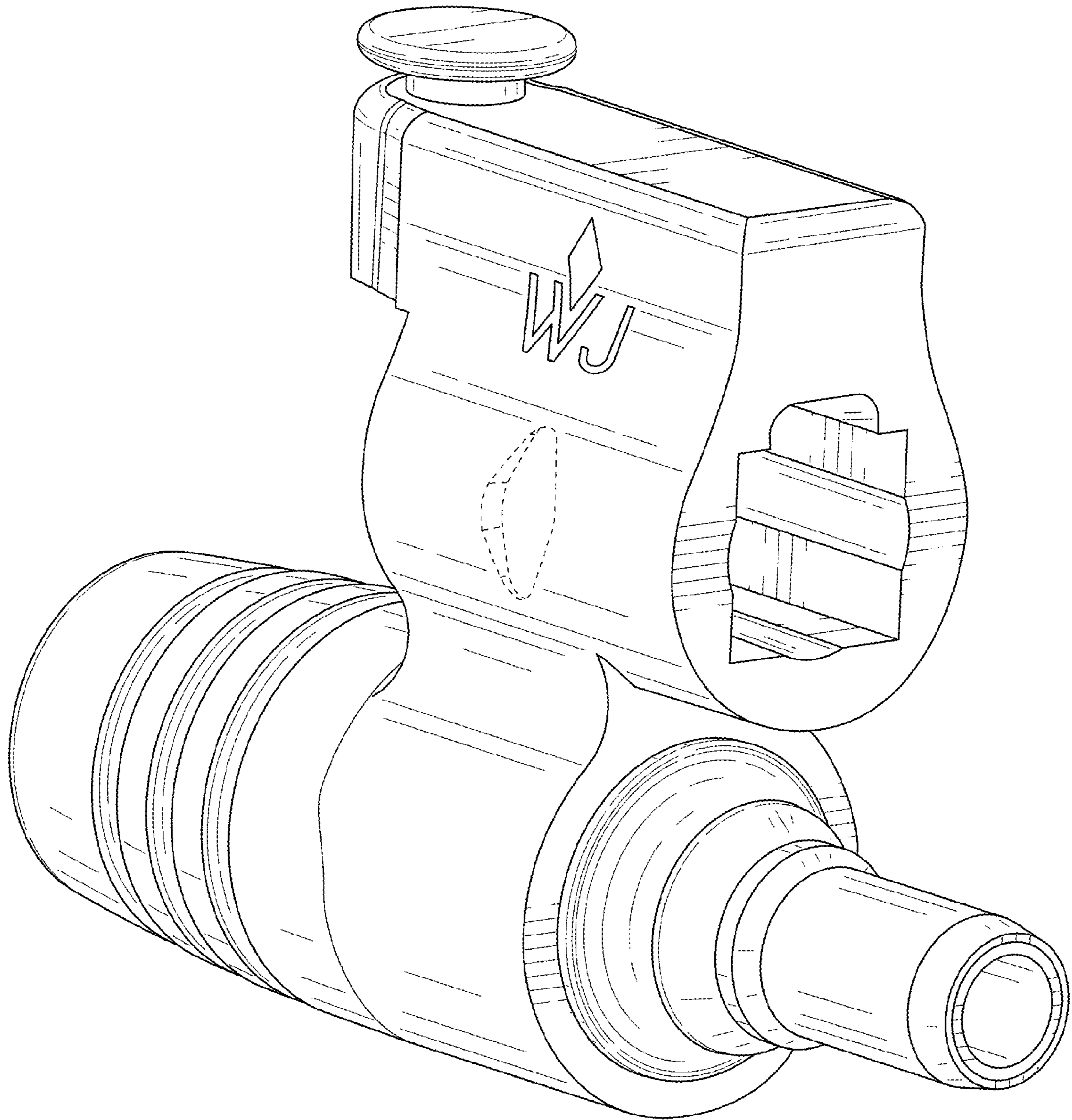


FIG. 1

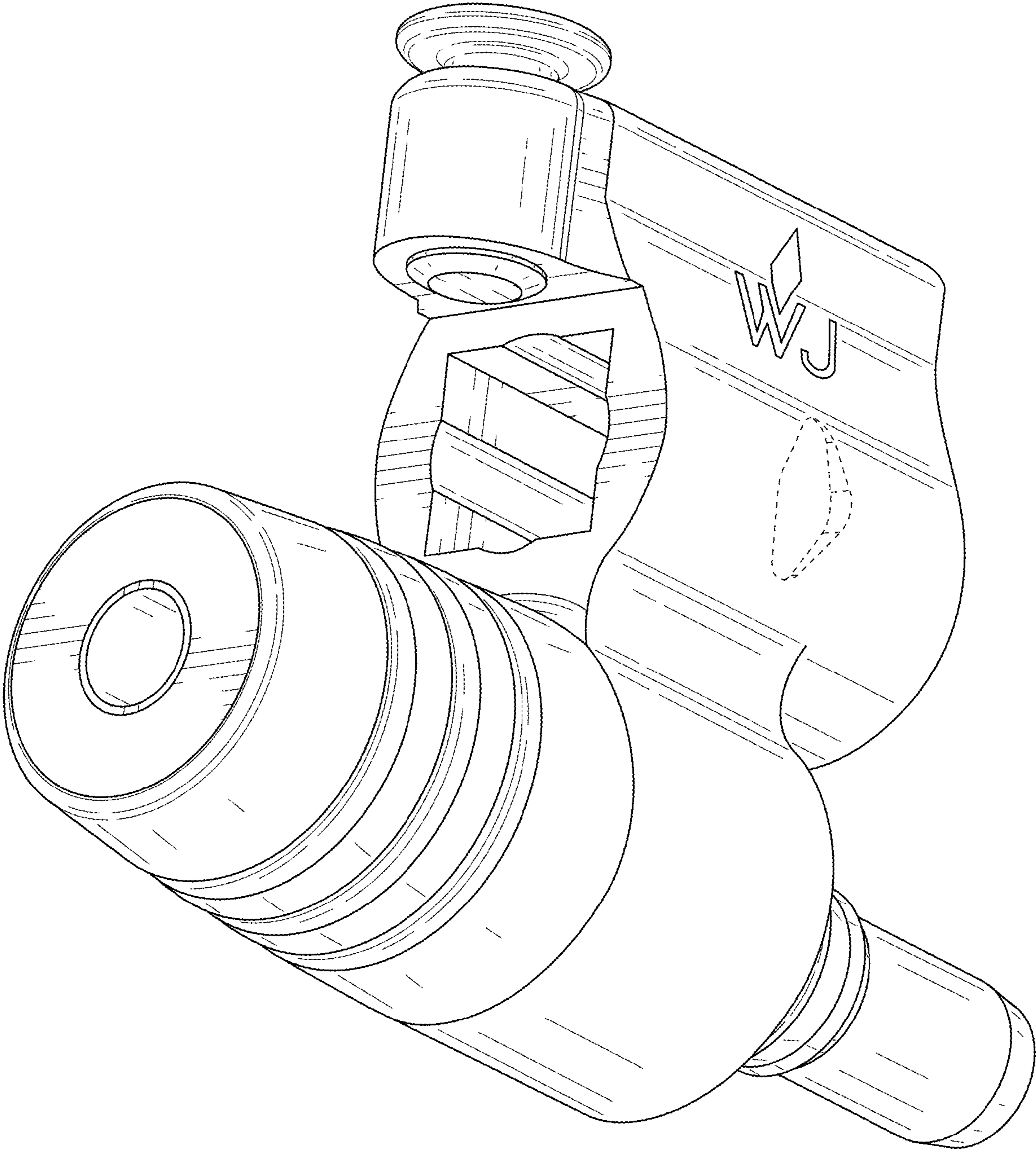


FIG. 2

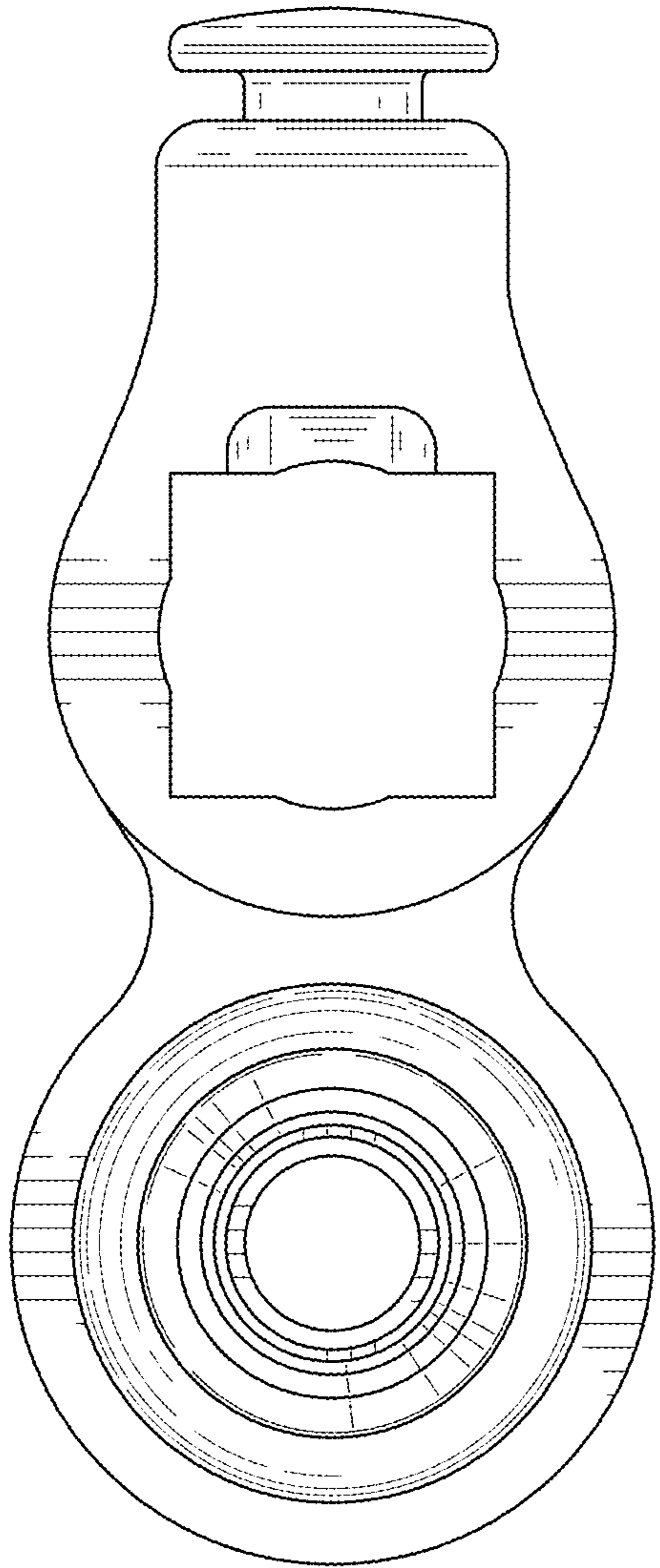


FIG. 3

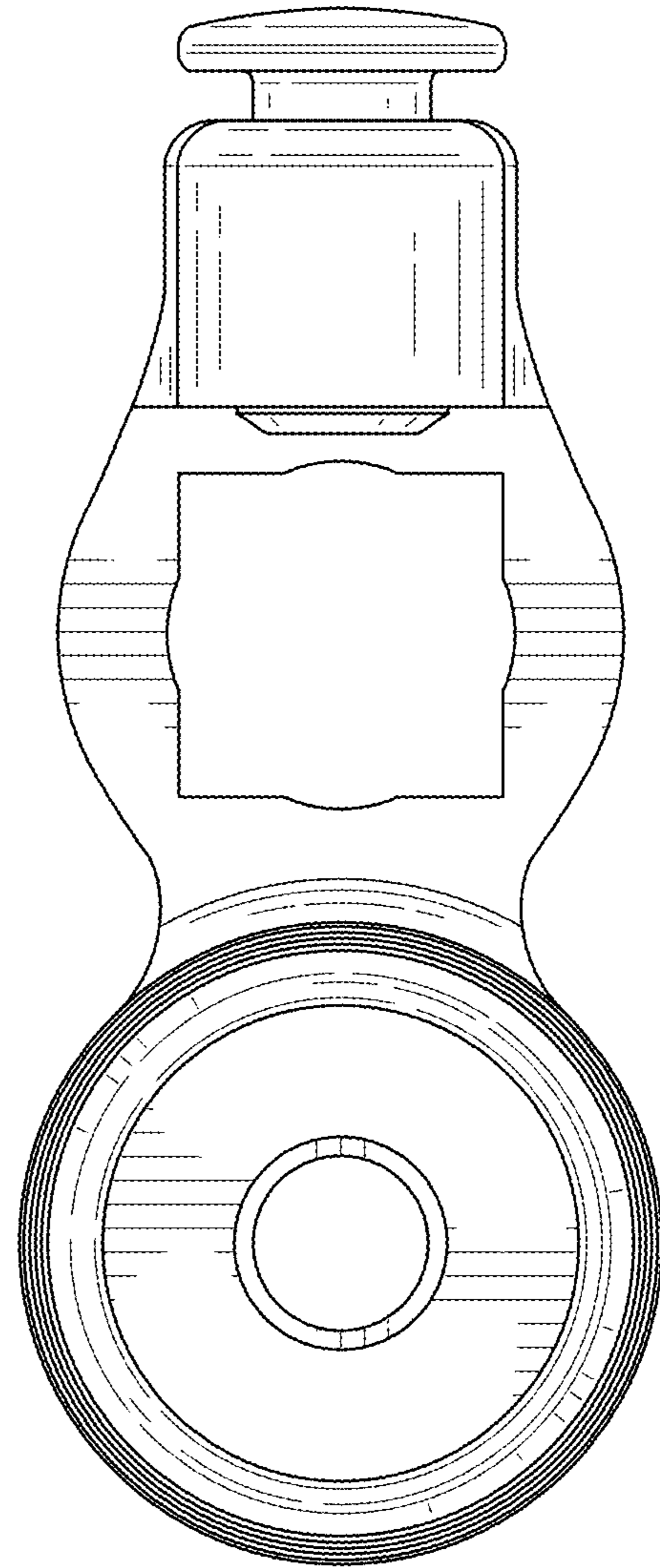


FIG. 4

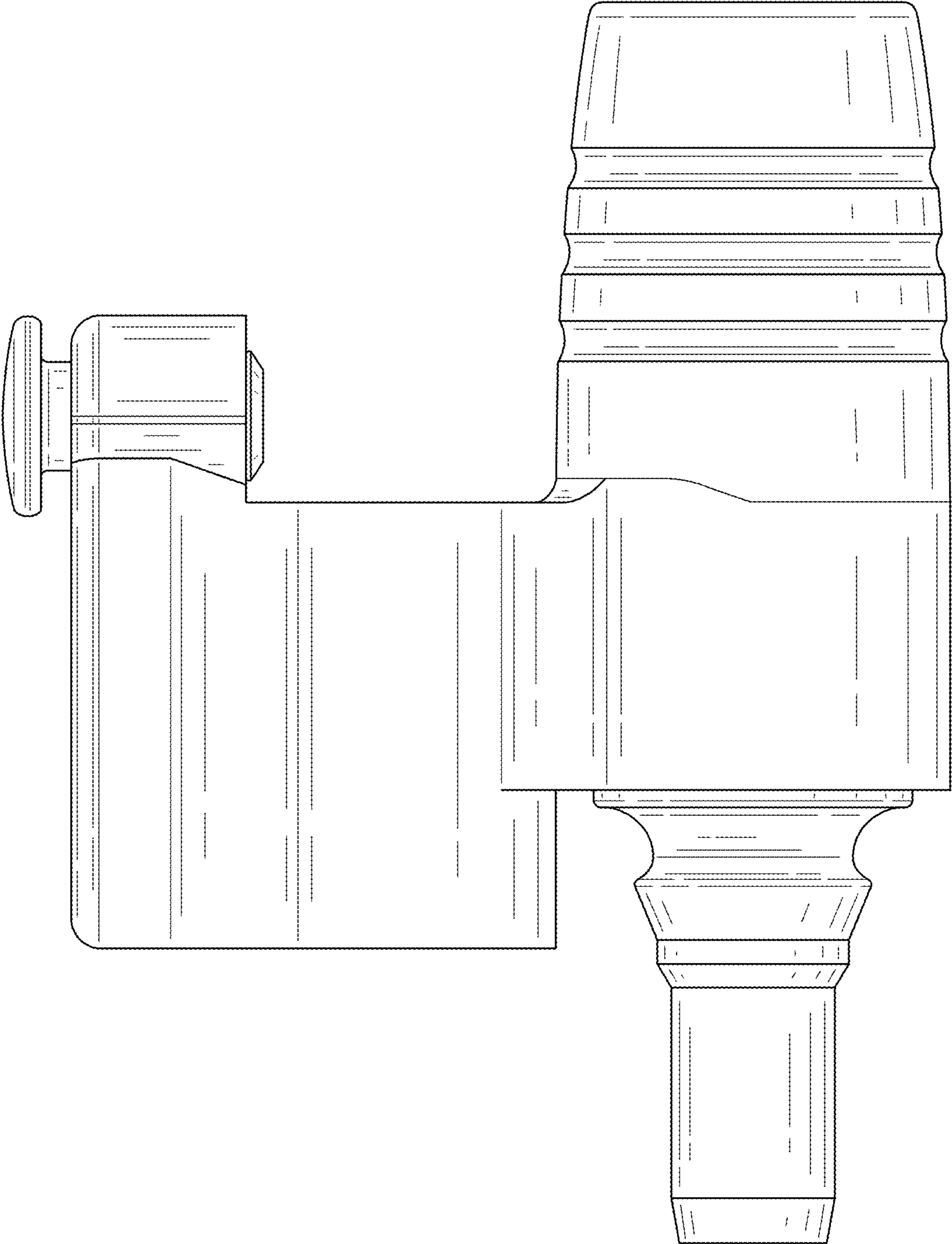


FIG. 5

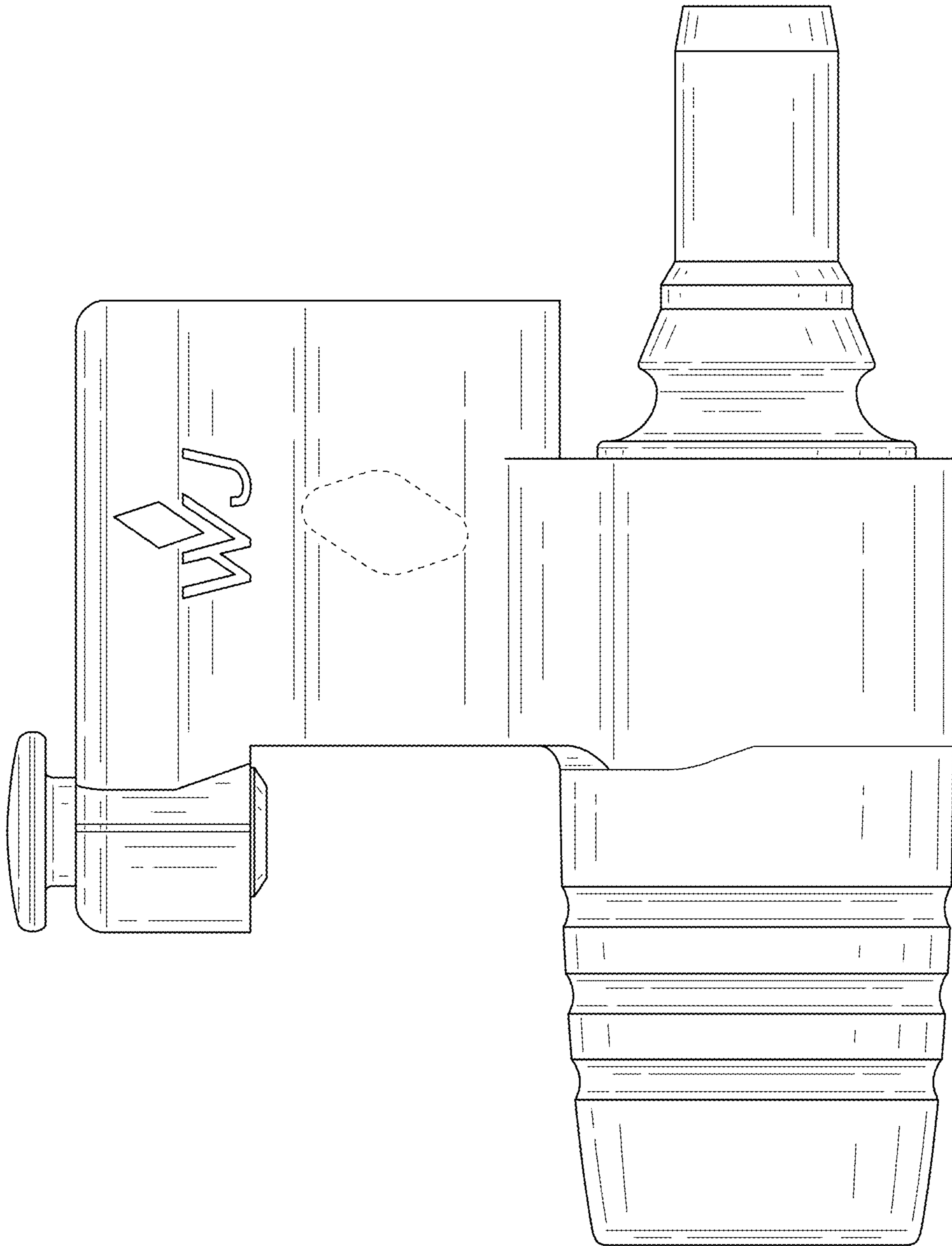


FIG. 6

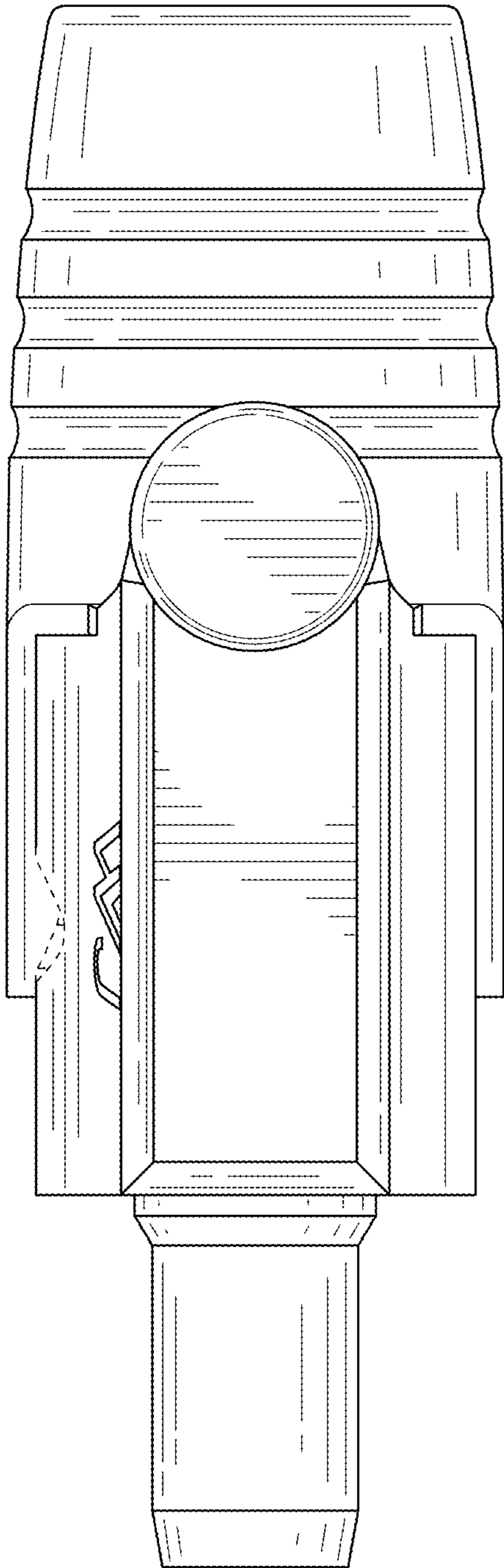


FIG. 7

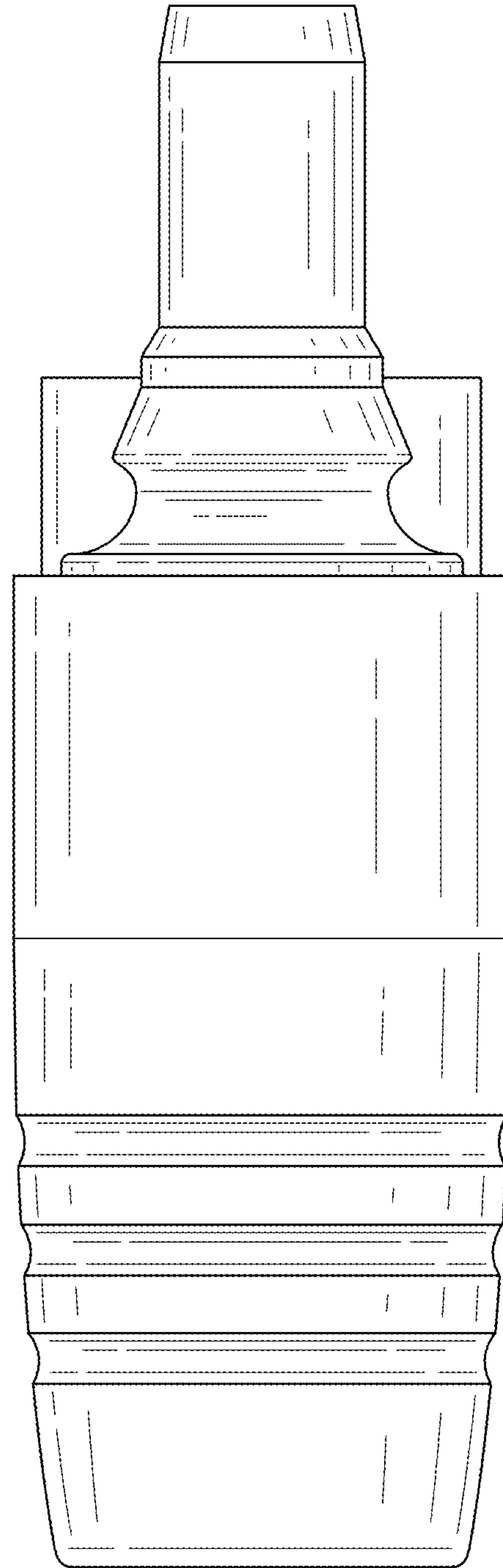


FIG. 8