



US00D987820S

(12) **United States Design Patent** (10) **Patent No.:** **US D987,820 S**
Yabe (45) **Date of Patent:** **** May 30, 2023**

(54) **MEDICAL ATOMIZER FOR NASAL CAVITY**

FOREIGN PATENT DOCUMENTS

(71) Applicant: **Nipro Corporation**, Osaka (JP)

CN 306045624 * 9/2020

(72) Inventor: **Yukihiro Yabe**, Osaka (JP)

OTHER PUBLICATIONS

(73) Assignee: **Nipro Corporation**, Osaka (JP)

“Teleflex Medical: LMA MAD Nasal Intranasal Mucosal Atomization Device.” Found online at Amazon.com. Nov. 14, 2022. Reference dated Aug. 13, 2017. Retrieved from <https://www.amazon.com/Teleflex-Medical-Intranasal-Mucosal-Atomization/dp/B073SV42DC>.*

(**) Term: **15 Years**

(Continued)

(21) Appl. No.: **29/800,058**

(22) Filed: **Jul. 19, 2021**

(51) **LOC (14) Cl.** **24-04**

Primary Examiner — Kendra Leslie Hamilton

(52) **U.S. Cl.**

Assistant Examiner — Elizabeth S Struble

USPC **D24/110**; D24/130

(74) *Attorney, Agent, or Firm* — Wolf, Greenfield & Sacks, P.C.

(58) **Field of Classification Search**

USPC D24/108, 110, 111, 112, 113, 114, 121, D24/127, 128, 129, 130, 133, 141, 186; D23/200, 213, 223, 224, 226, 229

CPC A61M 5/20; A61M 5/31; A61M 5/32; A61M 5/46; A61M 5/178; A61M 5/315; A61M 5/3129; A61M 5/3137; A61M 5/3146; A61M 5/3148; A61J 1/2096

See application file for complete search history.

(57) **CLAIM**

The ornamental design for a medical atomizer for nasal cavity, as shown and described.

(56) **References Cited**

DESCRIPTION

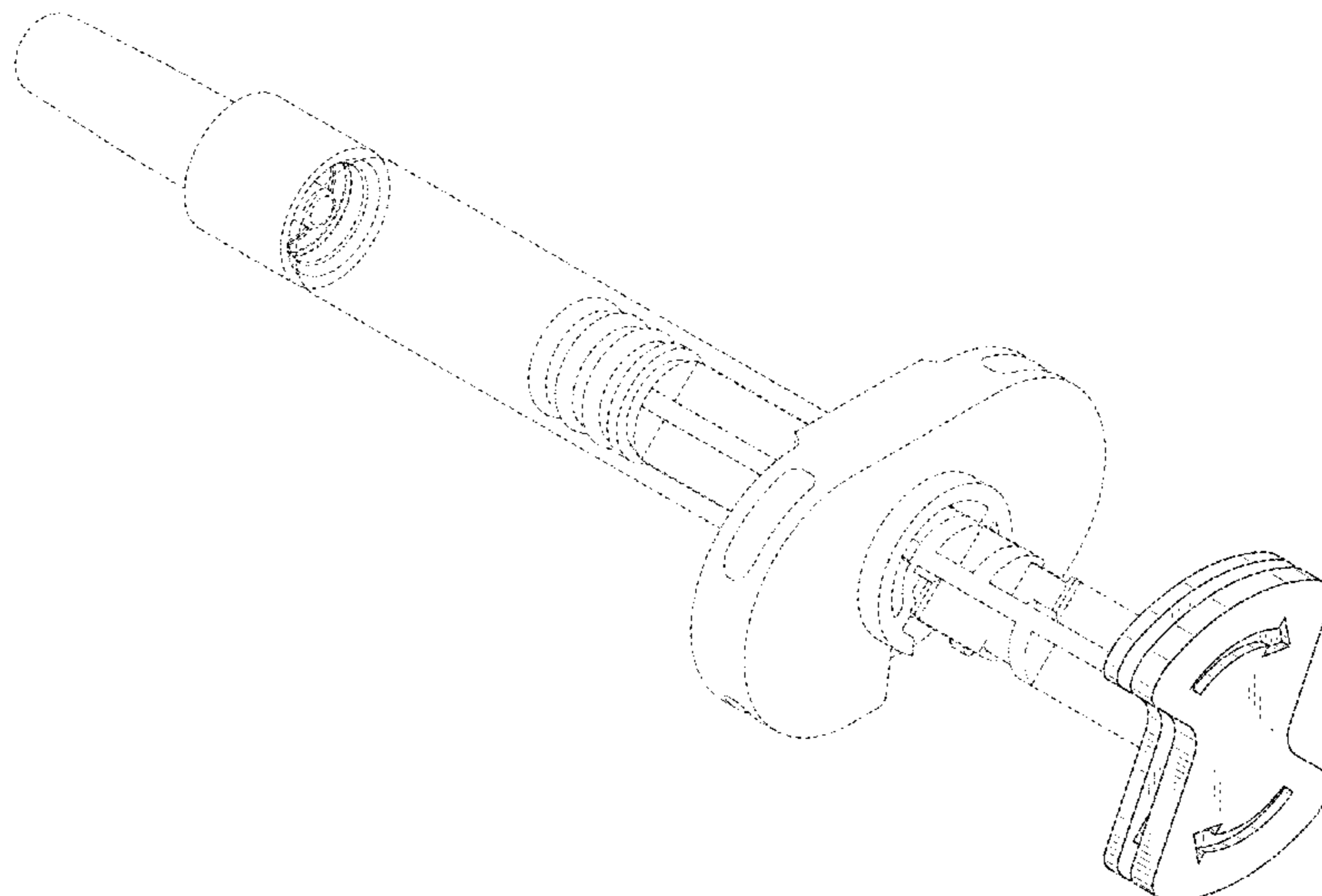
U.S. PATENT DOCUMENTS

D93,827 S *	11/1934	Huthsing	D23/224
2,586,502 A *	2/1952	Backus	A61M 15/08
				215/349
D434,850 S *	12/2000	Balestracci	D24/112
D463,024 S *	9/2002	Swenson	D24/108
D590,935 S *	4/2009	Becker	D24/108
D772,478 S *	11/2016	Liu	D27/167
D824,516 S *	7/2018	Ohashi	D24/130
D842,061 S *	3/2019	Sotzny	D8/51
D864,477 S *	10/2019	Liu	D27/167
D895,110 S *	9/2020	Takada	D24/130
D965,765 S *	10/2022	Zhang	D24/108
2013/0298902 A1 *	11/2013	Denton	A61M 11/06
				128/200.14
2013/0331817 A1 *	12/2013	Woehr	A61M 5/31
				604/506

FIG. 1 is a front, top, and right side perspective view of a medical atomizer for nasal cavity showing my new design; FIG. 2 is a front view thereof; FIG. 3 is a rear view thereof; FIG. 4 is a top plan view thereof; FIG. 5 is a bottom plan view thereof; FIG. 6 is a right side view thereof; FIG. 7 is a left side view thereof; and, FIG. 8 is a cross-sectional elevation view of the medical atomizer for nasal cavity, taken in the direction of 8-8 of FIG. 6.

The broken lines illustrate portions of the medical atomizer for nasal cavity that form no part of the claimed design.

1 Claim, 7 Drawing Sheets



(56)

References Cited

OTHER PUBLICATIONS

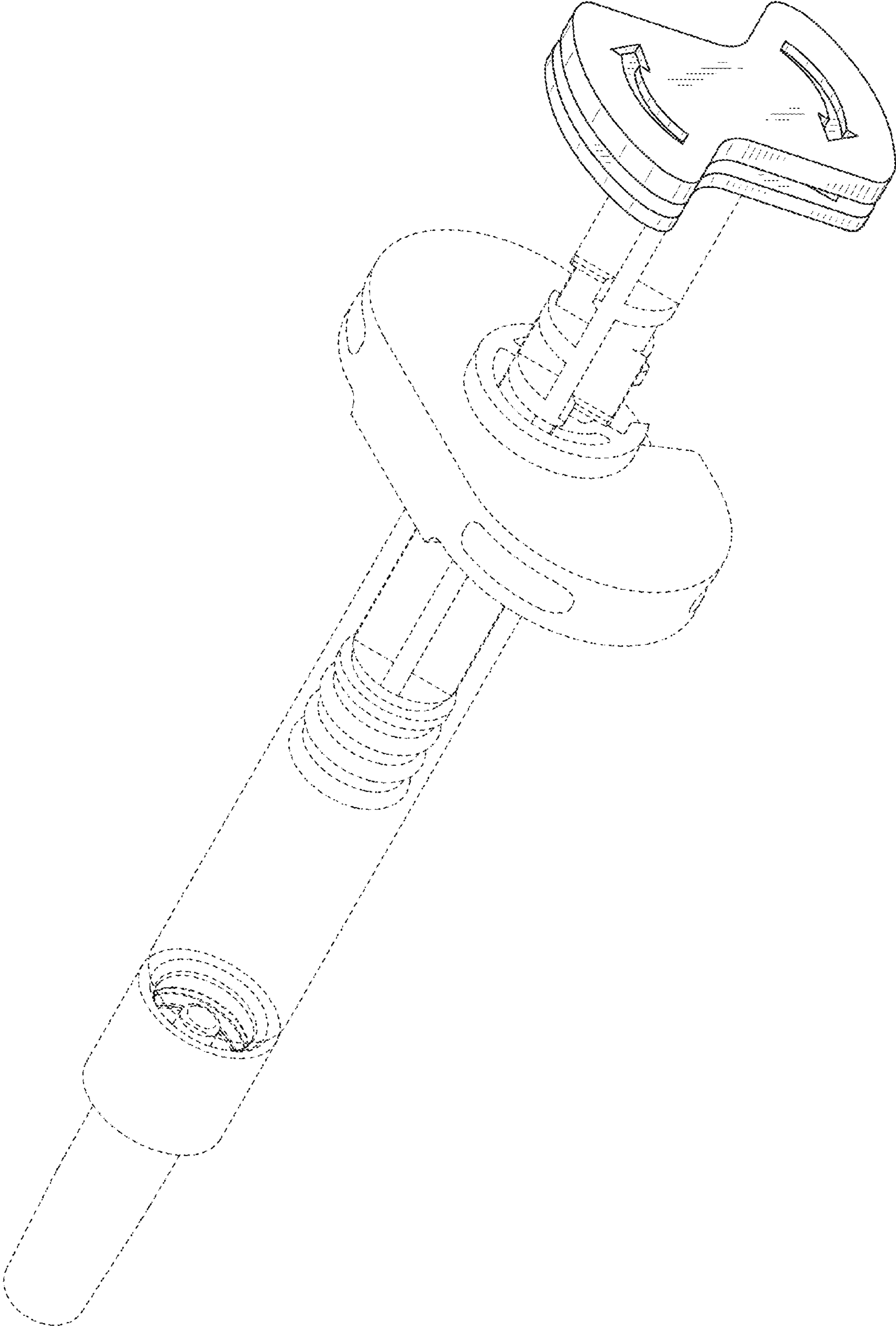
“Vitality Medical: MAD without Syringe.” Found online at [vitalitymedical.com](https://www.vitalitymedical.com/lma-mad-nasal-intranasal-mucosal-atomization-device-with-syringe.html). Nov. 14, 2022. Reference dated Jun. 6, 2020. Retrieved from <https://www.vitalitymedical.com/lma-mad-nasal-intranasal-mucosal-atomization-device-with-syringe.html>?*

“Ericotry: Empty Glass Refillable Nasal Spray Bottles.” Found online at Amazon.com. Nov. 14, 2022. Reference dated Aug. 24, 2018. Retrieved from <https://www.amazon.com/Refillable-Atomizers-Containers-Essential-Applications/dp/B07GSNZBBV>.*

“Snoot!:Nasal Spray Bottle Mist Sprayer.” Found online at Amazon.com. Nov. 14, 2022. Reference dated Mar. 2, 2014. Retrieved from <https://www.amazon.com/6-Pack-Travel-Sized-Sprayers-Colloidal-Silver/dp/B00WDESSFU>.*

* cited by examiner

FIG.1



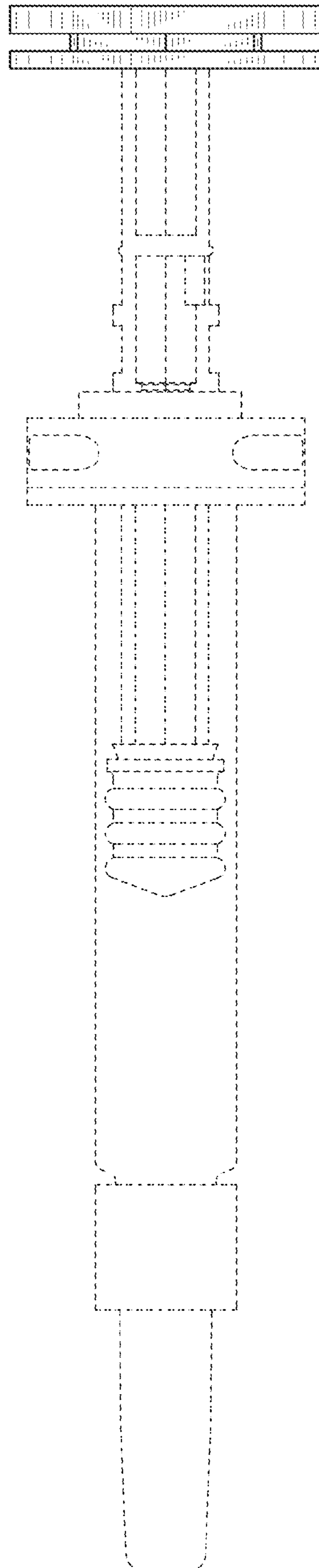
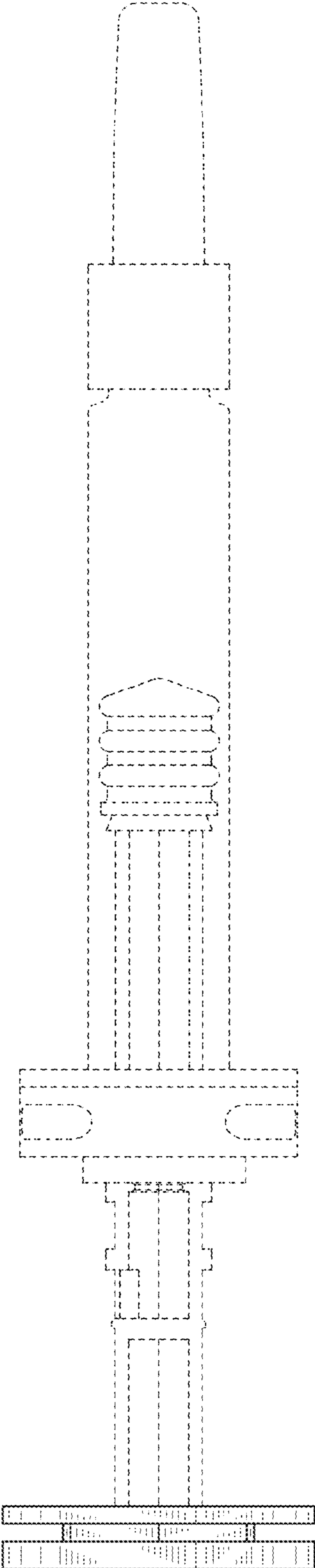


FIG. 2

FIG. 3



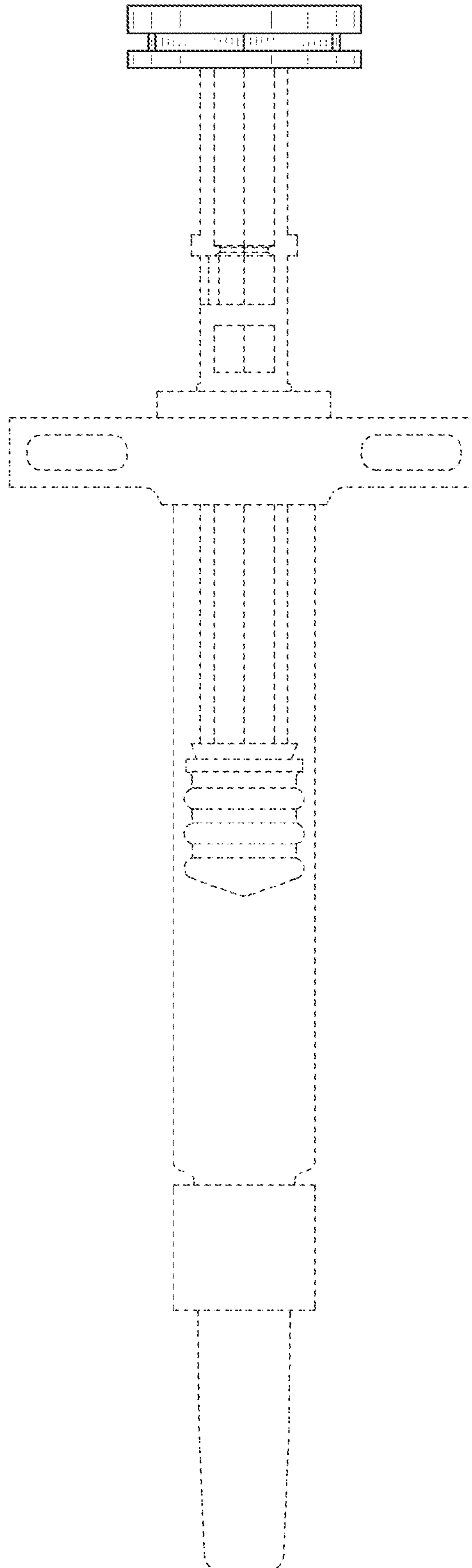


FIG.4

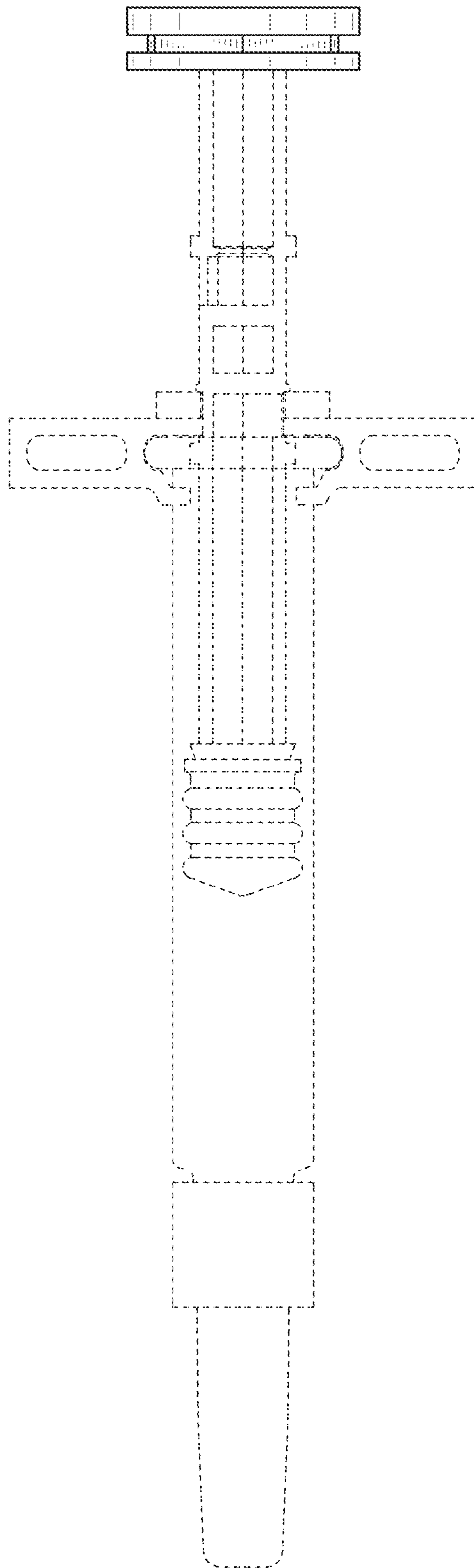


FIG. 5

FIG.6

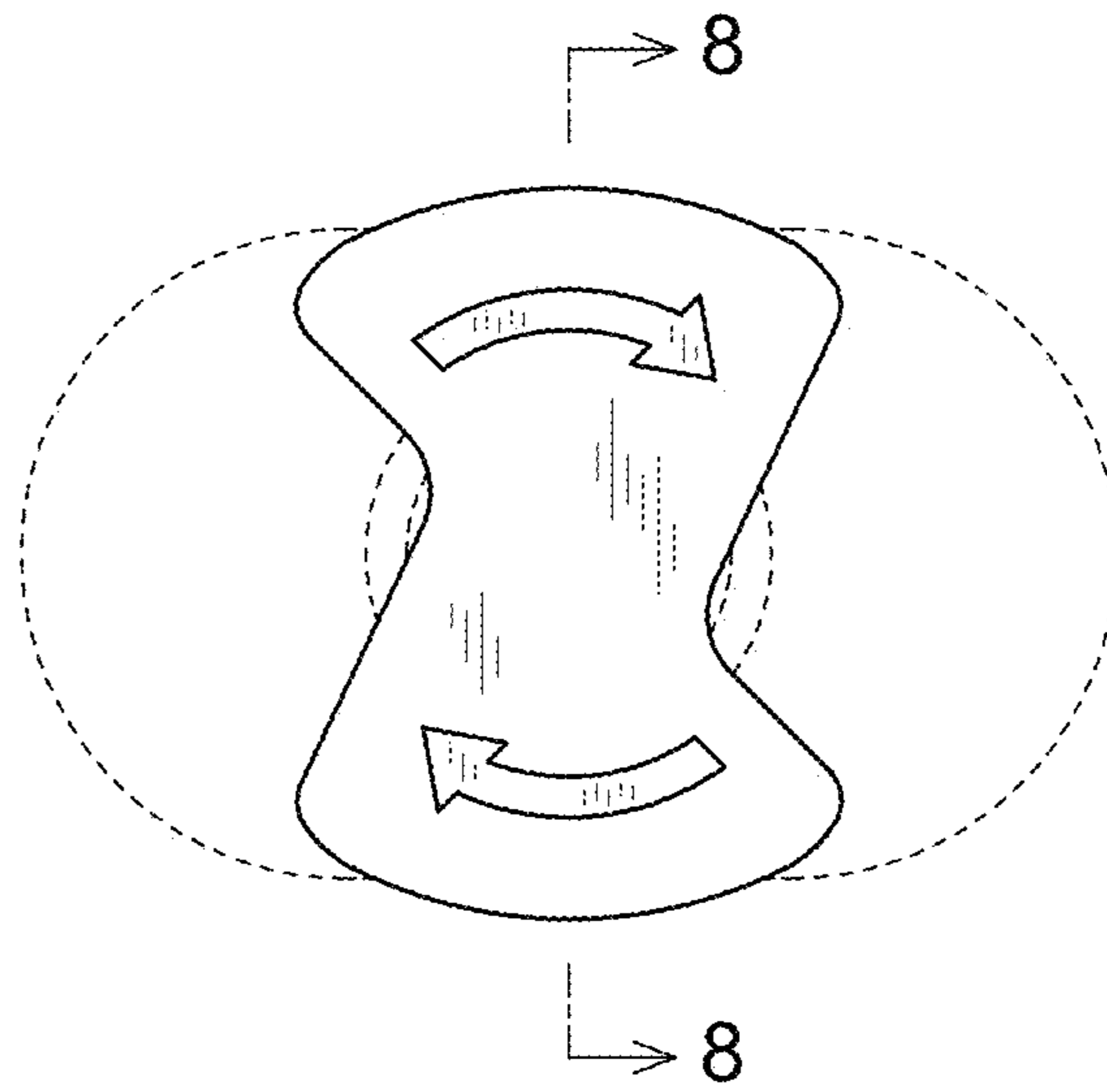
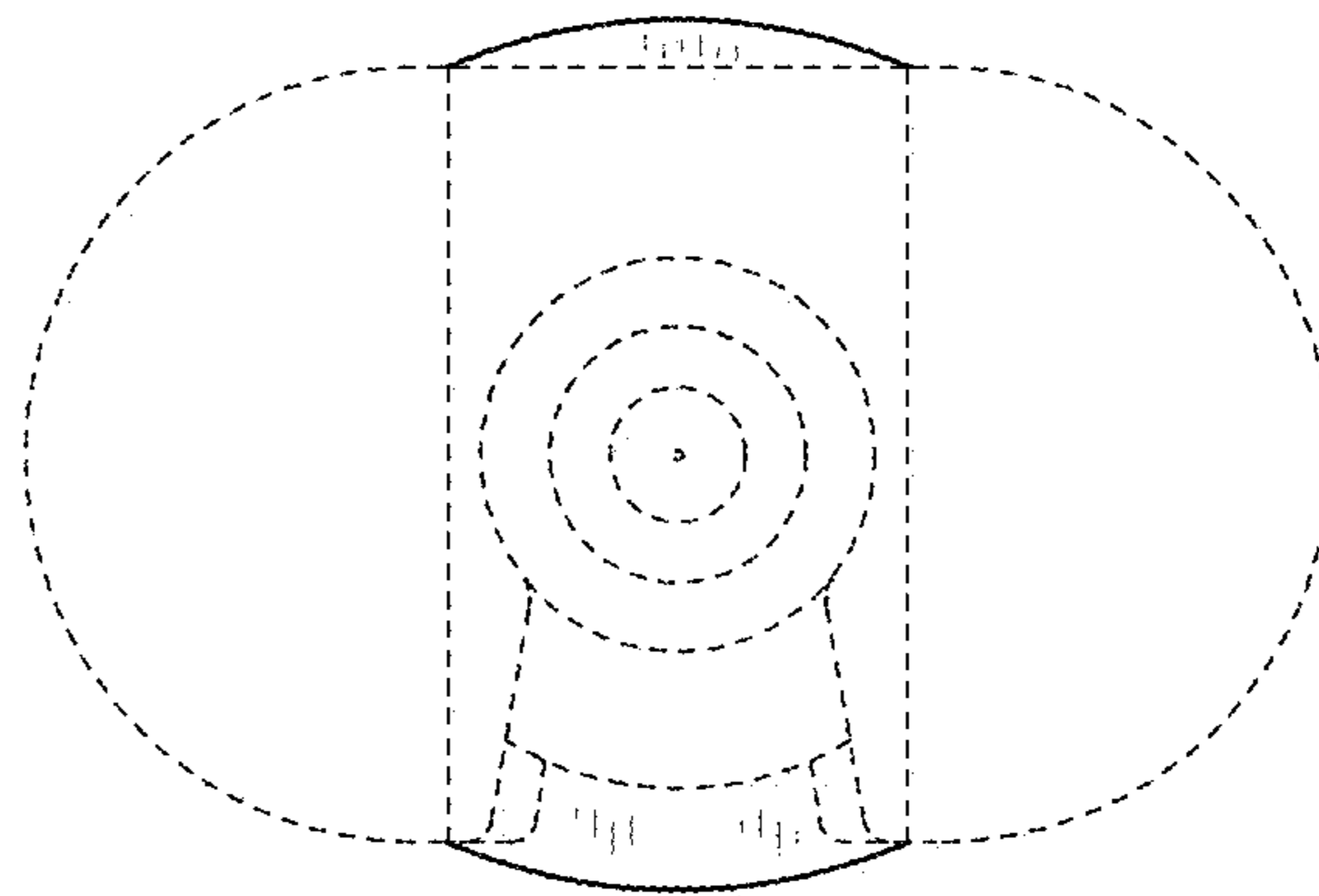


FIG.7



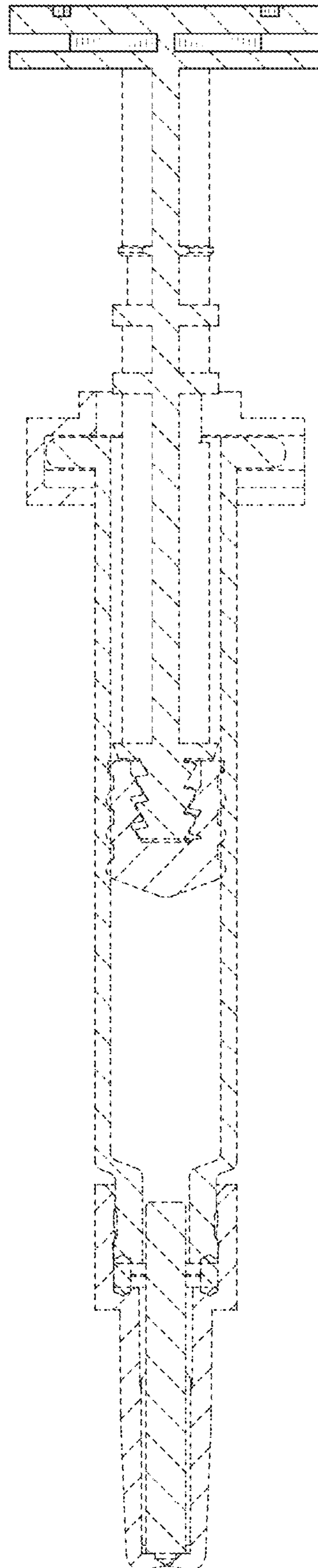


FIG. 8

UNITED STATES PATENT AND TRADEMARK OFFICE
CERTIFICATE OF CORRECTION

PATENT NO. : D987,820 S
APPLICATION NO. : 29/800058
DATED : May 30, 2023
INVENTOR(S) : Yukihiro Yabe

Page 1 of 1

It is certified that error appears in the above-identified patent and that said Letters Patent is hereby corrected as shown below:

On the Title Page

Please add:

(30) Foreign Application Priority Data

Jan. 27, 2021 (JP) 2021-001742 D

Signed and Sealed this
Third Day of October, 2023
Katherine Kelly Vidal

Katherine Kelly Vidal
Director of the United States Patent and Trademark Office