



US00D987819S

(12) **United States Design Patent**
Nourani et al.

(10) **Patent No.:** **US D987,819 S**
(45) **Date of Patent:** **** May 30, 2023**

(54) **SYRINGE HOLDER**

(71) Applicant: **Bobby Nourani**, Long Beach, CA (US)

(72) Inventors: **Bobby Nourani**, Long Beach, CA (US);
Michael Stephen Rafferty, Madison,
WI (US); **Hooshmand Nourani**, Long
Beach, CA (US)

(73) Assignee: **Bobby Nourani**, Long Beach, CA (US)

(**) Term: **15 Years**

(21) Appl. No.: **29/770,987**

(22) Filed: **Feb. 18, 2021**

(51) **LOC (14) Cl.** **24-02**

(52) **U.S. Cl.**
USPC **D24/130**

(58) **Field of Classification Search**
USPC D24/112–114, 127–130, 133, 231;
D8/82, 83, 303, 398, 42

(Continued)

(56) **References Cited**

U.S. PATENT DOCUMENTS

2,585,815 A 2/1952 McLintock
D176,945 S * 2/1956 Gilson D8/398
(Continued)

FOREIGN PATENT DOCUMENTS

CN 2225258 Y 4/1996
CN 106983935 A 7/2017
(Continued)

OTHER PUBLICATIONS

1 ml Covid Vaccine Size—Pre-Order (100 units), SyringePro, SyringePro.com, [Post date unknown], [Site seen Dec. 30, 2022], Seen at URL: <https://syringePro.com/collections/syringePro/products/syringePro-1-ml> (Year: 2022).*

(Continued)

Primary Examiner — Natasha Vujcic

Assistant Examiner — Gilbert B Ford

(74) *Attorney, Agent, or Firm* — Lance M. Pritikin

(57) **CLAIM**

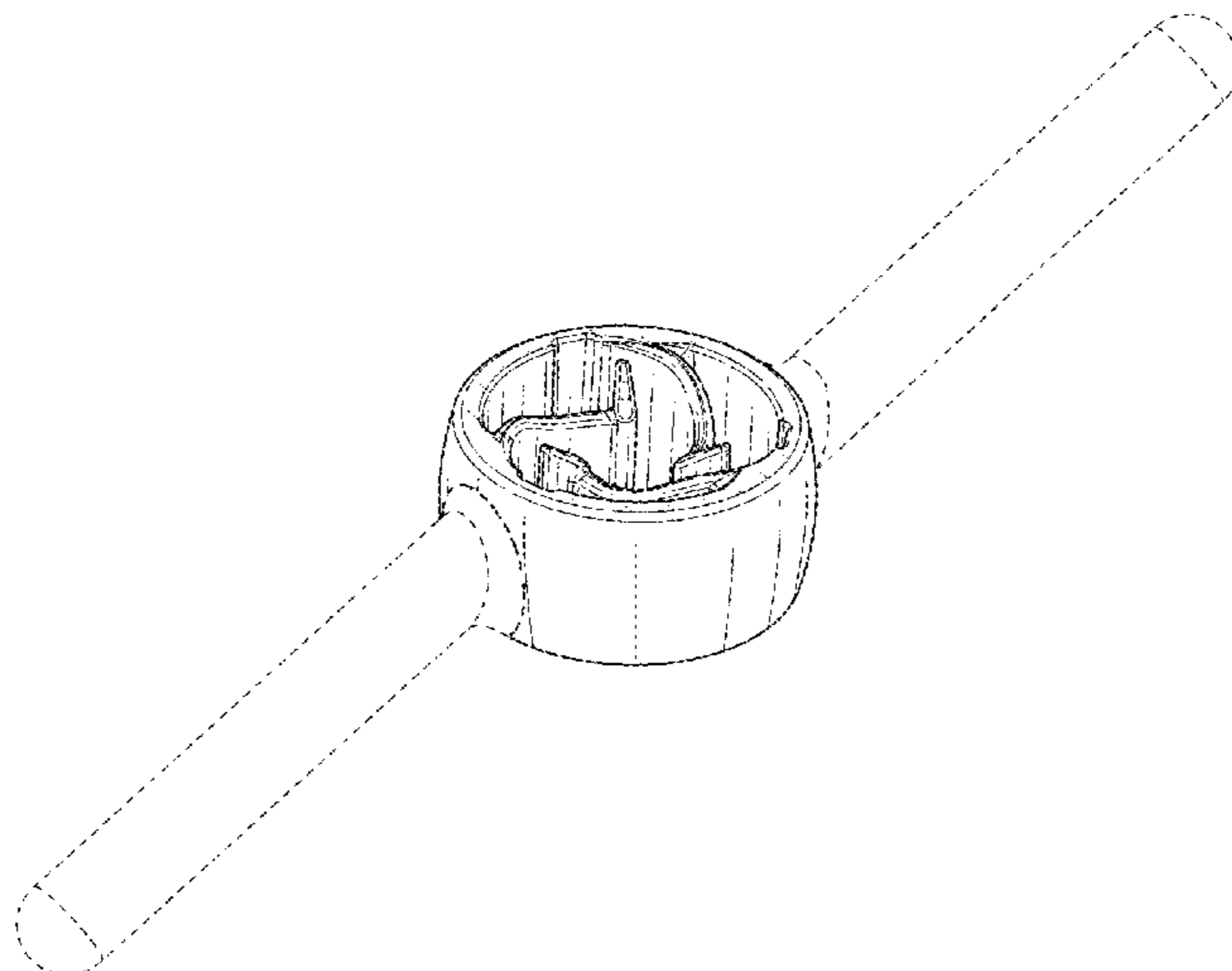
We claim, the ornamental design for a syringe holder, as shown and described.

DESCRIPTION

FIG. 1 is an upper perspective view of a first embodiment of a syringe holder, showing my new design; FIG. 2 is a front elevational view thereof; FIG. 3 is a rear elevational view thereof; FIG. 4 is a left side elevational view thereof; FIG. 5 is a right side elevational view thereof; FIG. 6 is a top plan view thereof; FIG. 7 is a bottom plan view thereof; FIG. 8 is a partial cross-sectional view thereof taken along line 8-8 of FIG. 6; FIG. 9 is a lower perspective view thereof; FIG. 10 is further front elevational view thereof, where in the syringe holder is shown holding an unclaimed syringe barrel; FIG. 11 is an upper perspective view of a second embodiment of the syringe holder, showing my new design; FIG. 12 is a front elevational view thereof; FIG. 13 is a rear elevational view thereof; FIG. 14 is a left side elevational view thereof; FIG. 15 is a right-side elevational view thereof; FIG. 16 is a top plan view thereof; FIG. 17 is a bottom plan view thereof; FIG. 18 is a partial cross-sectional view thereof taken along line 18-18 of FIG. 16; FIG. 19 is a lower perspective view thereof; and, FIG. 20 is further front elevational view thereof, where in the syringe holder is shown holding an unclaimed syringe barrel.

The broken lines in FIGS. 1-20 are for the purpose of illustrating portions of the syringe holder and environmental structure that form no part of the claimed design.

1 Claim, 6 Drawing Sheets



US D987,819 S

Page 2

(58) **Field of Classification Search**

CPC A61M 5/3137; A61M 2205/586; A61M
2005/3139; A61D 7/00

See application file for complete search history.

2019/0030253 A1 1/2019 Barbour
2019/0183674 A1 6/2019 Tsai et al.
2019/0184106 A1* 6/2019 Nourani A61M 5/3134
2019/0351146 A1 11/2019 Franklin et al.
2020/0078528 A1 3/2020 Heim et al.

(56) **References Cited**

U.S. PATENT DOCUMENTS

D181,558 S * 11/1957 Urie et al. D8/398
4,767,413 A 8/1988 Haber et al.
D317,705 S * 6/1991 Tinz D8/398
D373,305 S * 9/1996 Decursu D8/398
D672,639 S * 12/2012 Pawluk D8/398
D706,127 S * 6/2014 Hohmann, Jr. D8/398
10,398,841 B2 9/2019 Evans et al.
10,537,683 B2 1/2020 Ruddocks et al.
10,576,209 B2 3/2020 Lum et al.
10,596,321 B2 3/2020 Mandaroux et al.
10,668,215 B2* 6/2020 Ward B65G 11/023
10,668,219 B2* 6/2020 Tornsten A61M 5/3137
11,090,438 B2* 8/2021 Nourani A61M 5/3134
D937,432 S * 11/2021 Lei D24/224
D960,359 S * 8/2022 Nourani D24/133
2008/0051729 A1 2/2008 Cheng
2012/0095438 A1 4/2012 Lanin et al.
2016/0101238 A1 4/2016 Evans et al.
2016/0144120 A1 5/2016 Ishikawa et al.
2018/0071462 A1 3/2018 Morgan et al.
2018/0256828 A1 9/2018 Sirianni

FOREIGN PATENT DOCUMENTS

DE 202019102126 U1 7/2019
FR 2830199 A1 4/2003
GB 6154898 * 8/2021
JP 2004527333 A 9/2004
JP D1319615 * 1/2008
KR 0138353 Y1 4/1999
WO 2005060367 A3 7/2006
WO 2008016381 A1 2/2008
WO 2017039786 A1 3/2017
WO 2017184801 A1 10/2017

OTHER PUBLICATIONS

45 RPM record Adapter, bluescentric.com, [Post date: unknown],
[Site seen Dec. 30, 2022], Seen at URL: <https://www.bluescentric.com/p-557-45-rpm-record-adapter.aspx> (Year: 2022).
Origin of Syringe, Syringe, Vimeo.com, [Post date: Oct. 14, 2020], [Site seen Dec. 30, 2022], Seen at URL: https://vimeo.com/468340011?embedded=true&source=vimeo_logo&owner=124576480 (Year: 2020).*

* cited by examiner

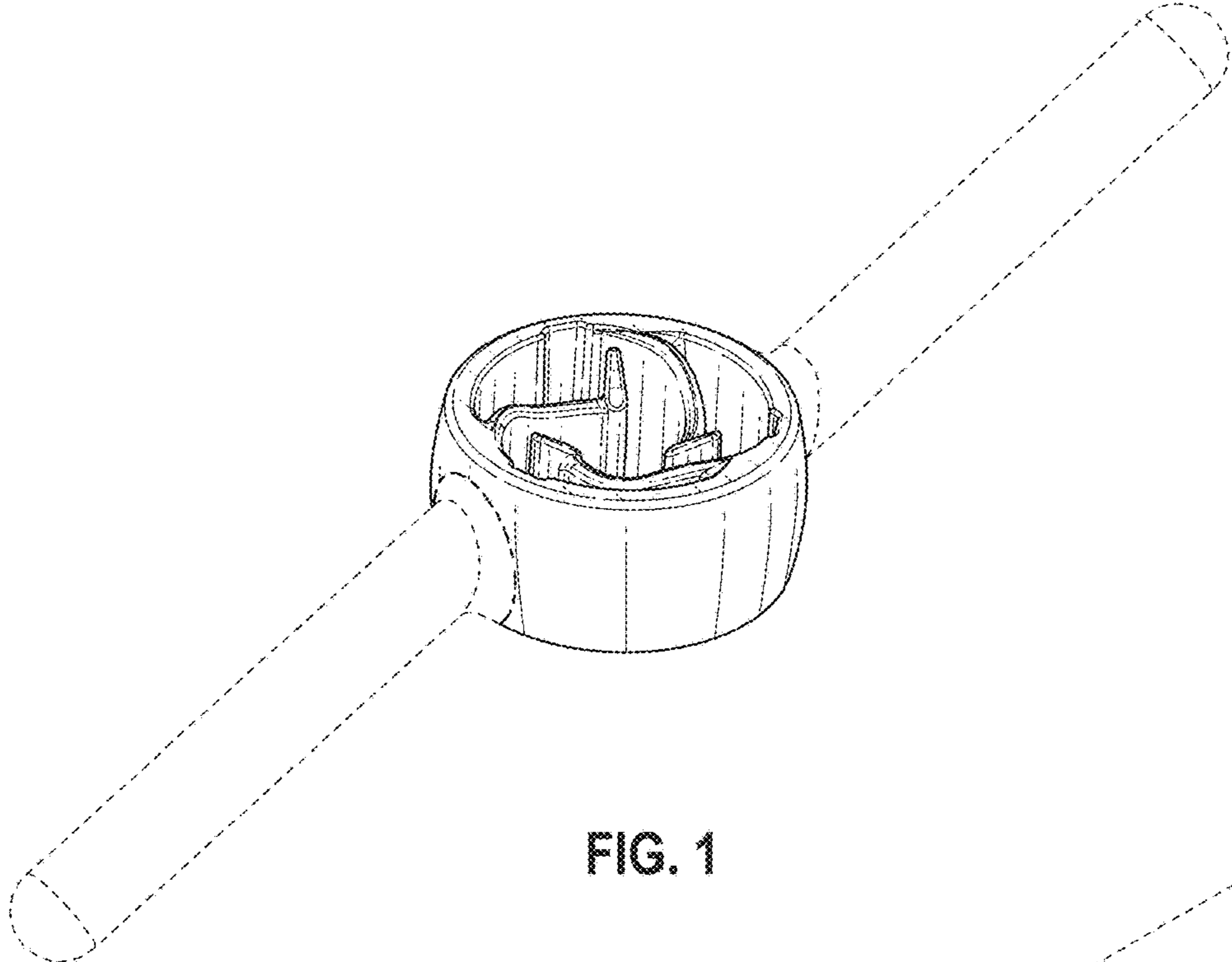


FIG. 1

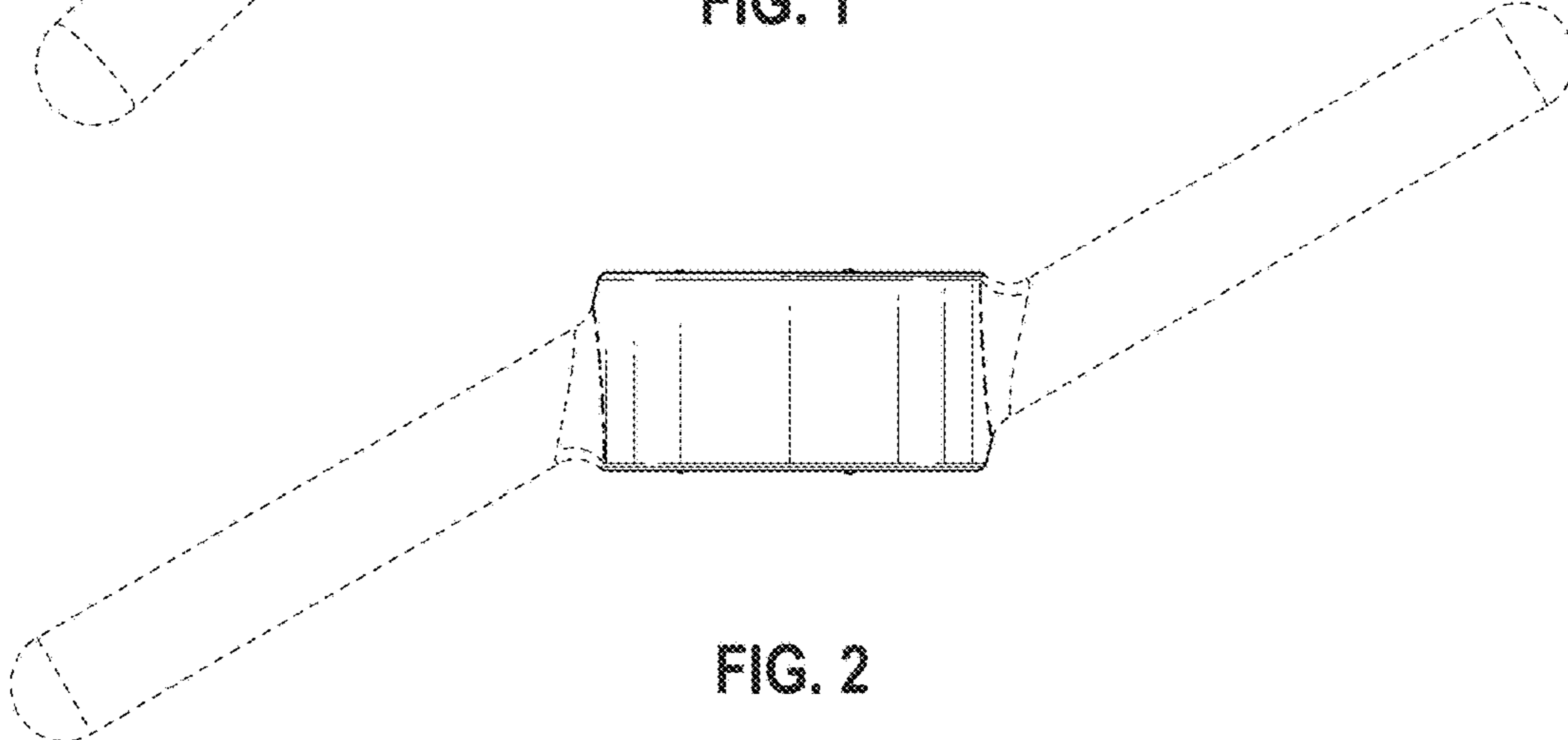


FIG. 2

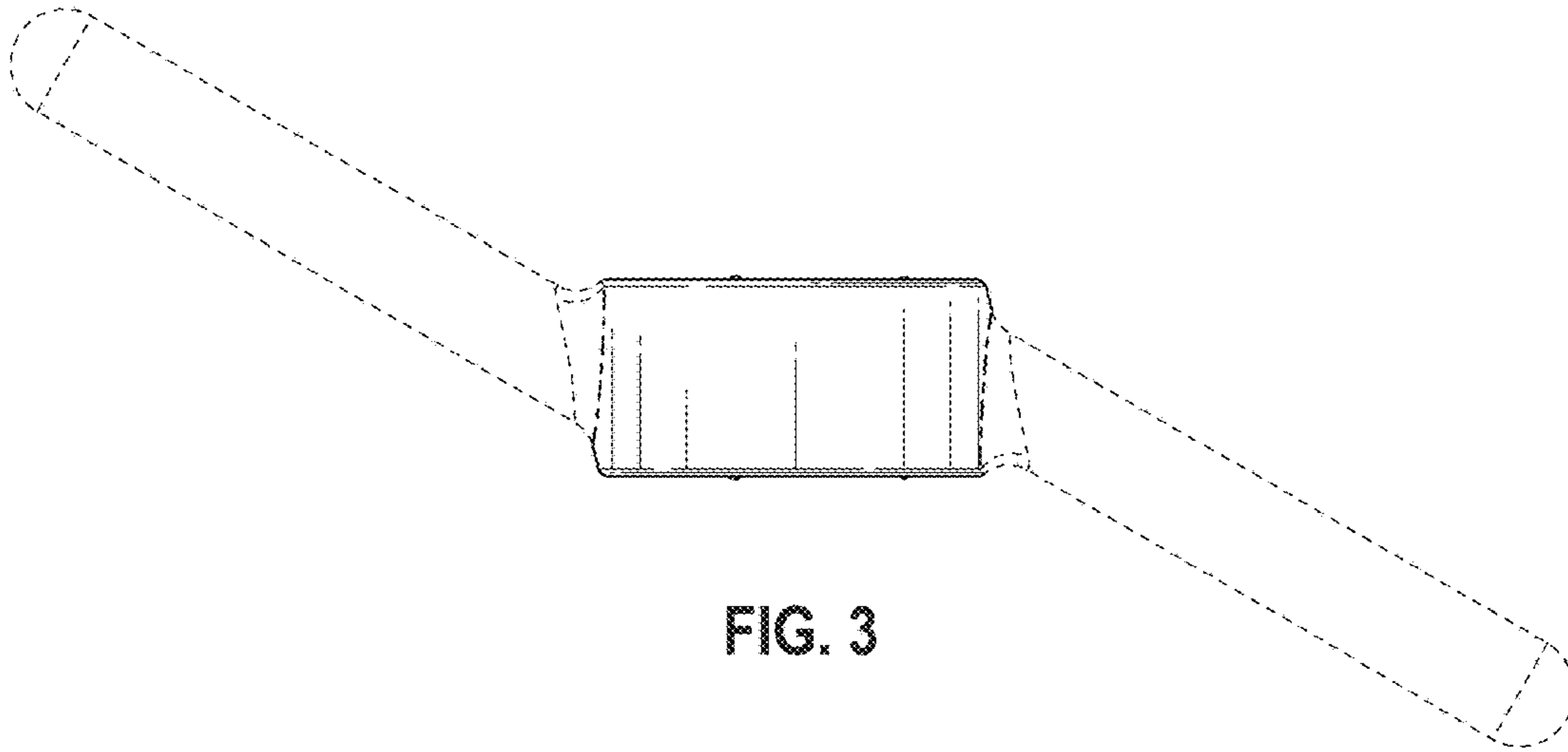


FIG. 3

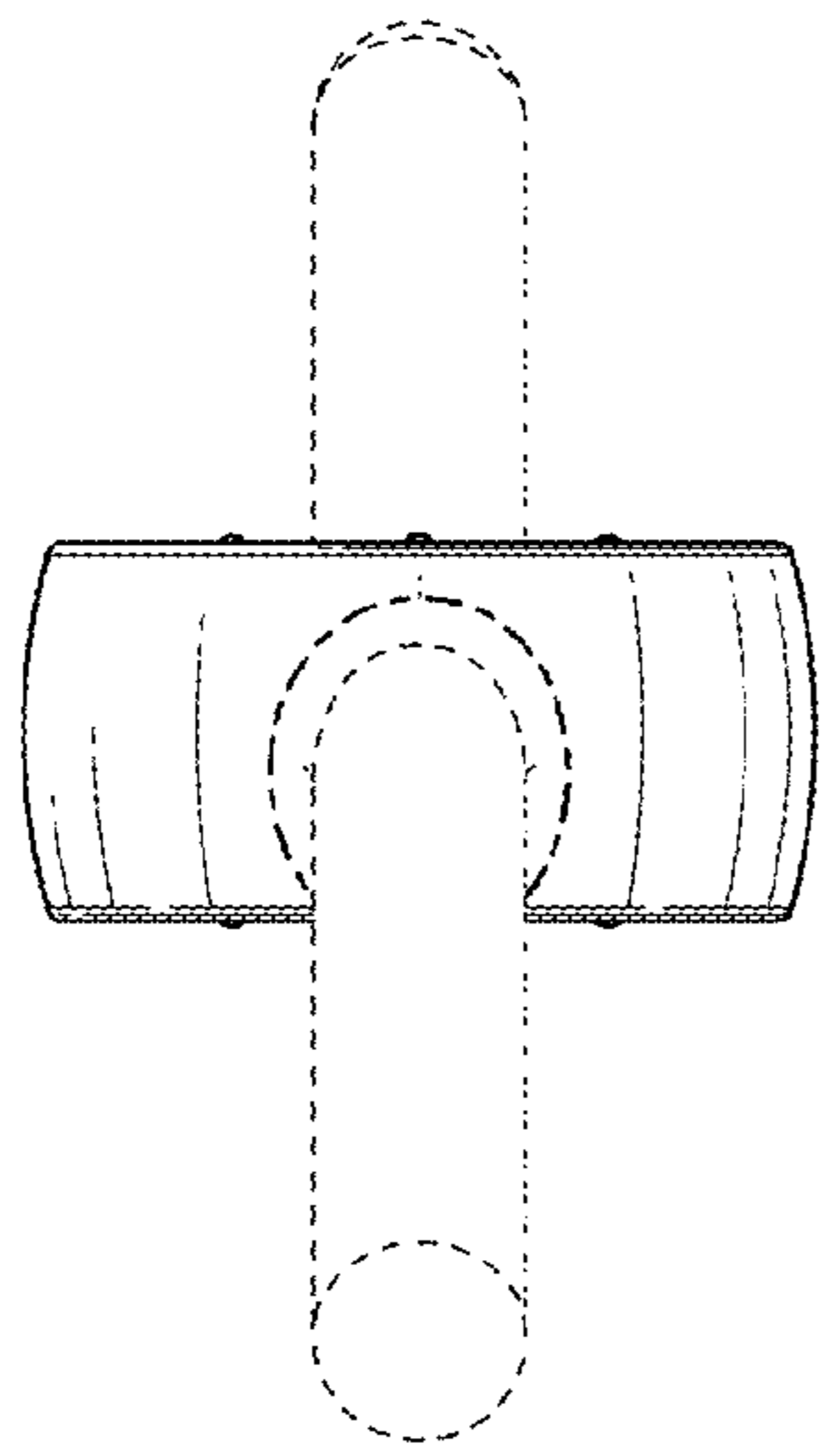


FIG. 4

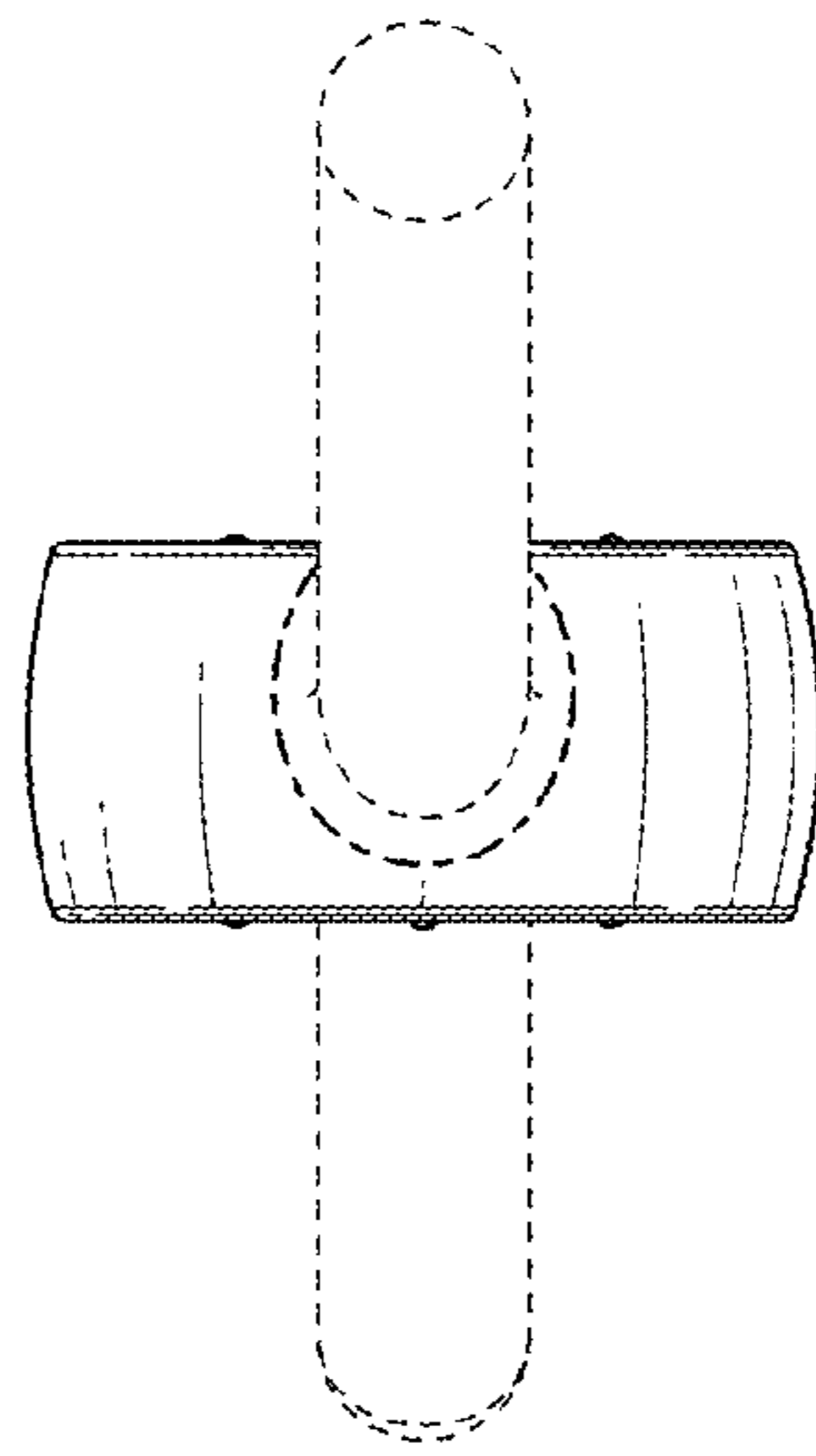


FIG. 5



FIG. 6

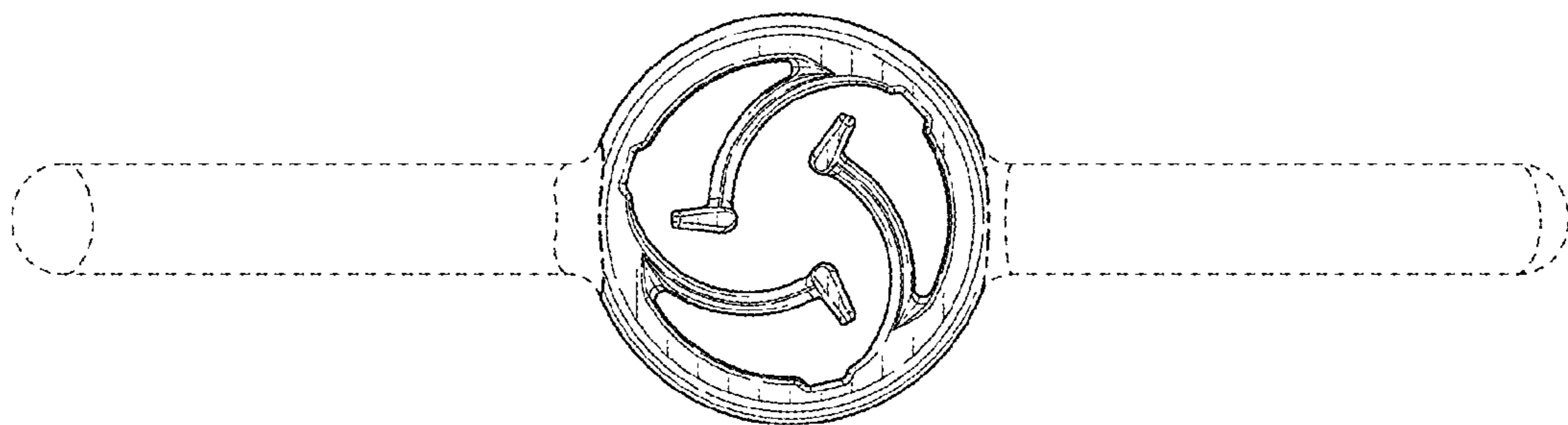


FIG. 7

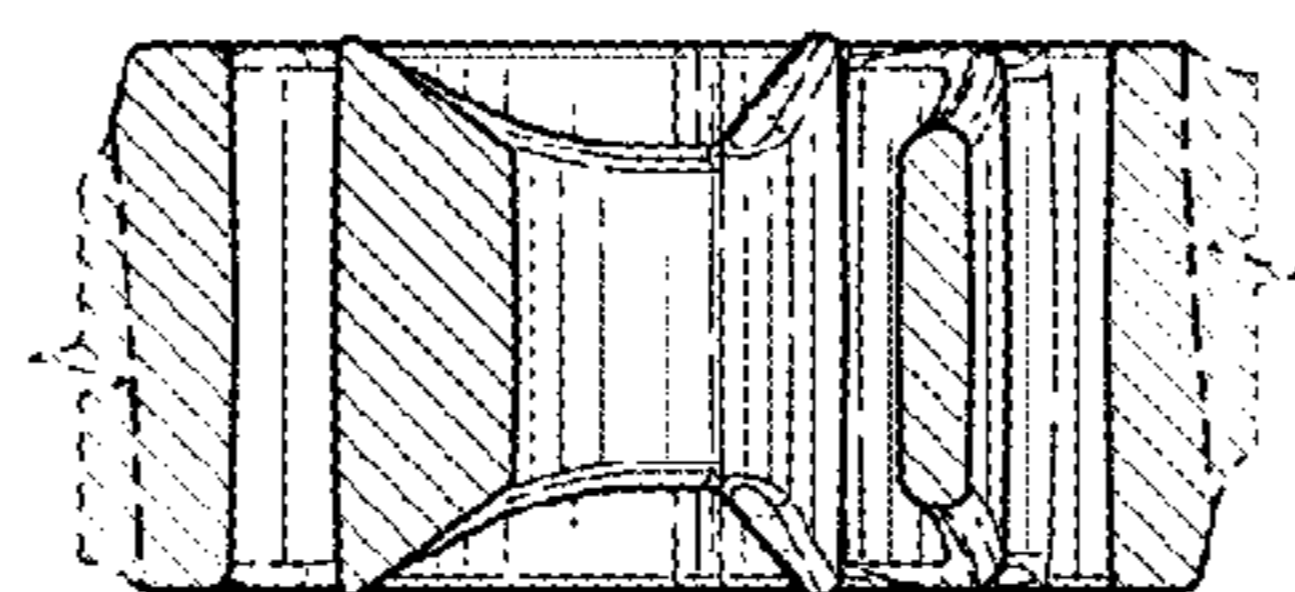


FIG. 8

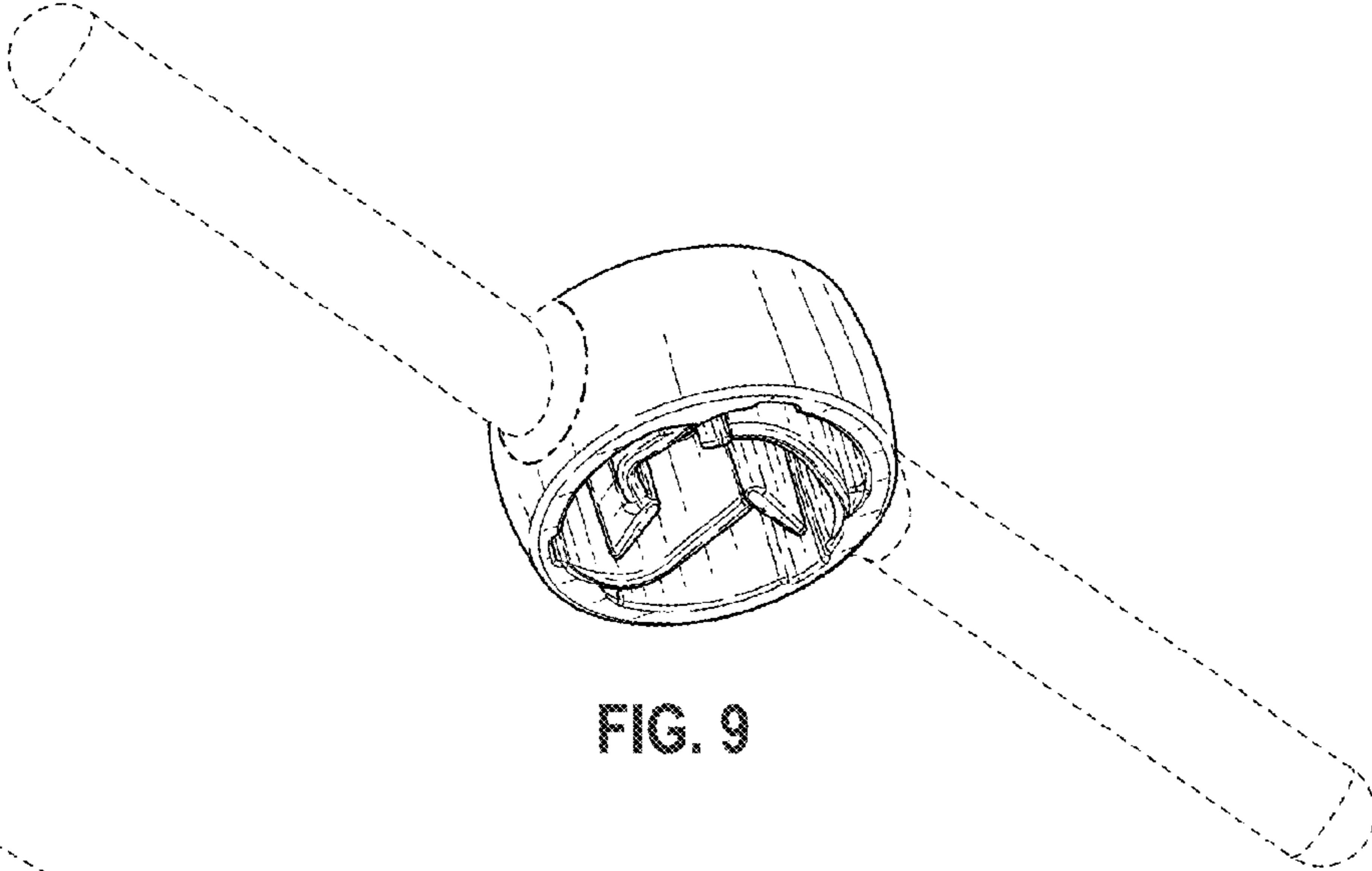


FIG. 9

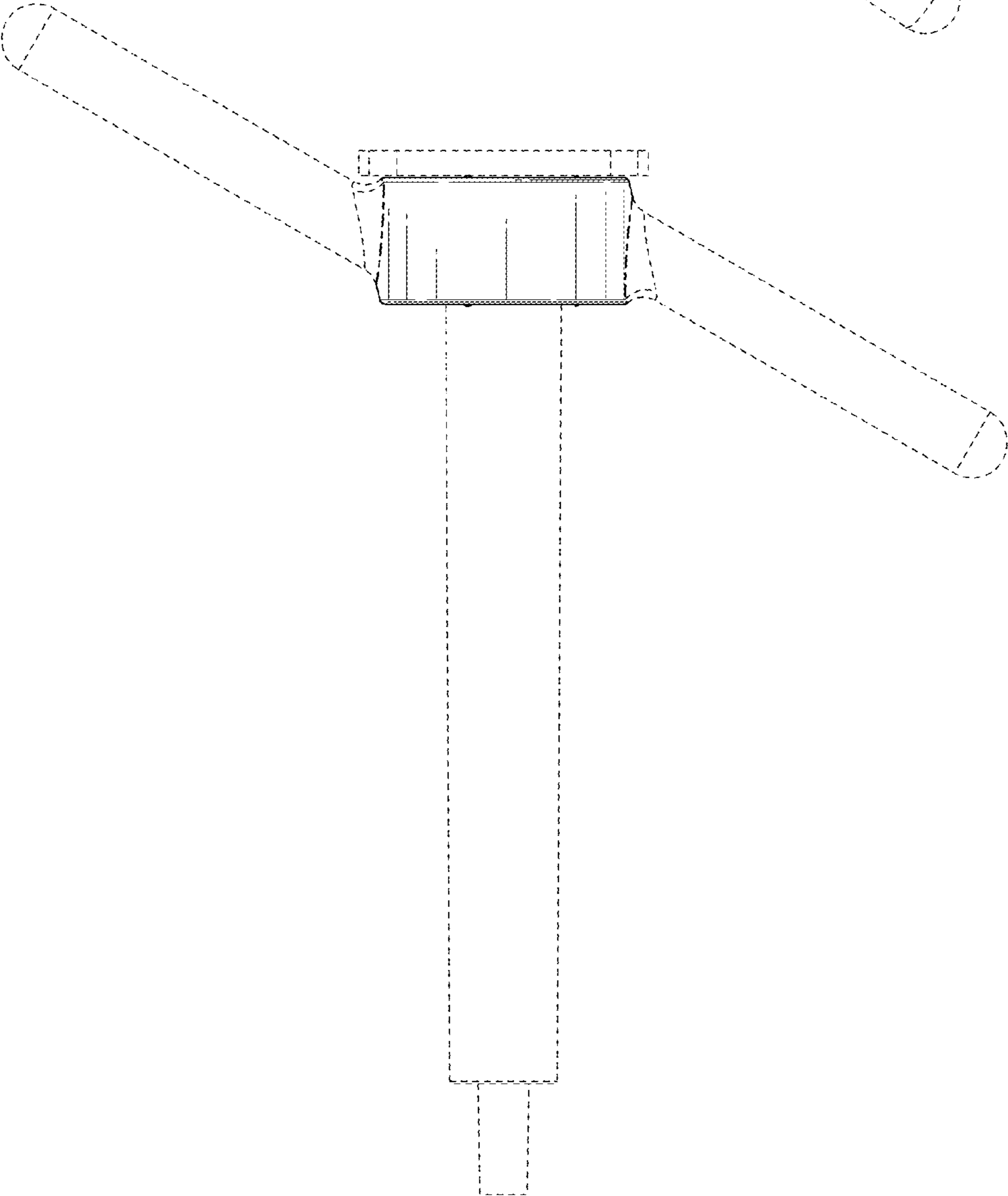


FIG. 10

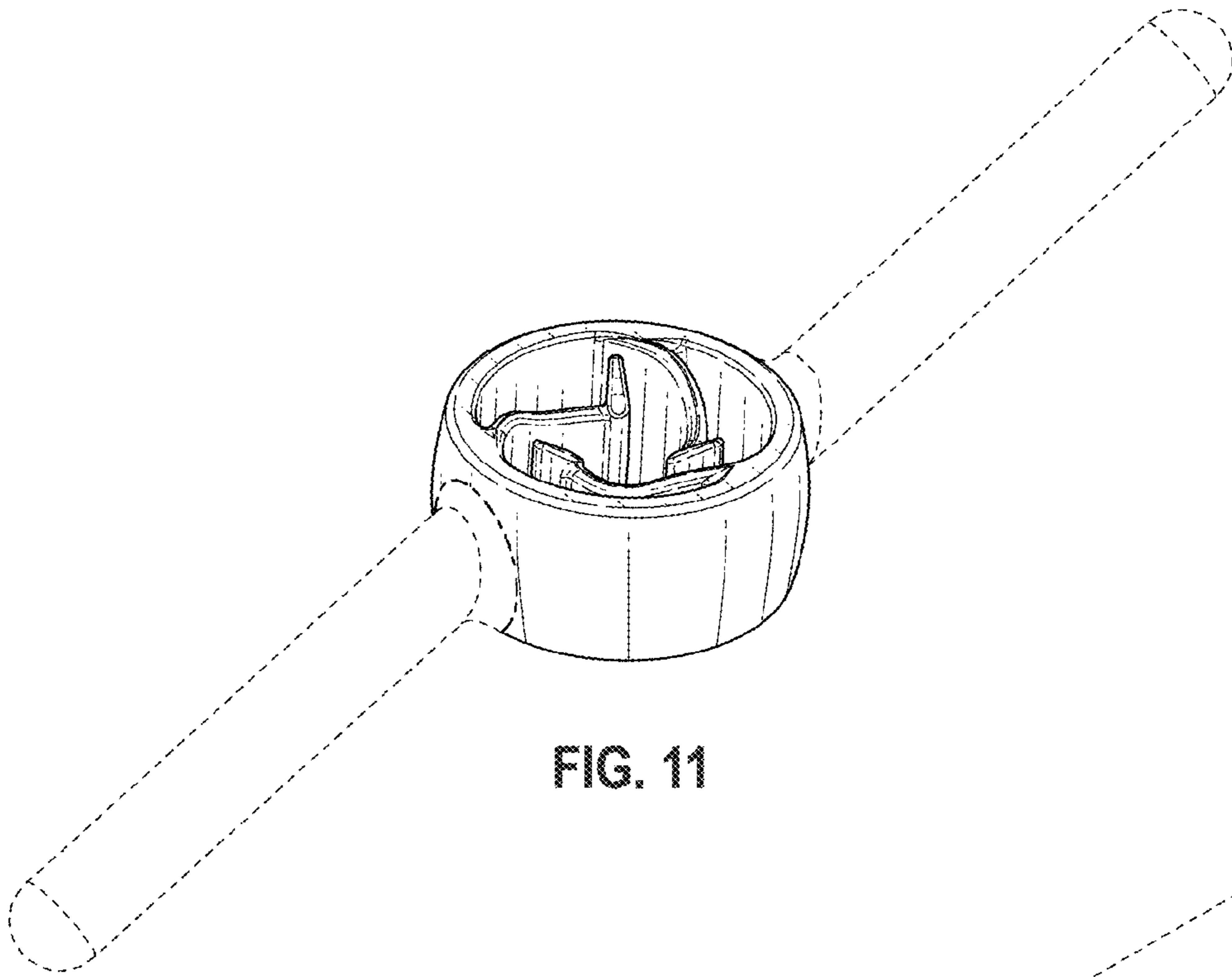


FIG. 11

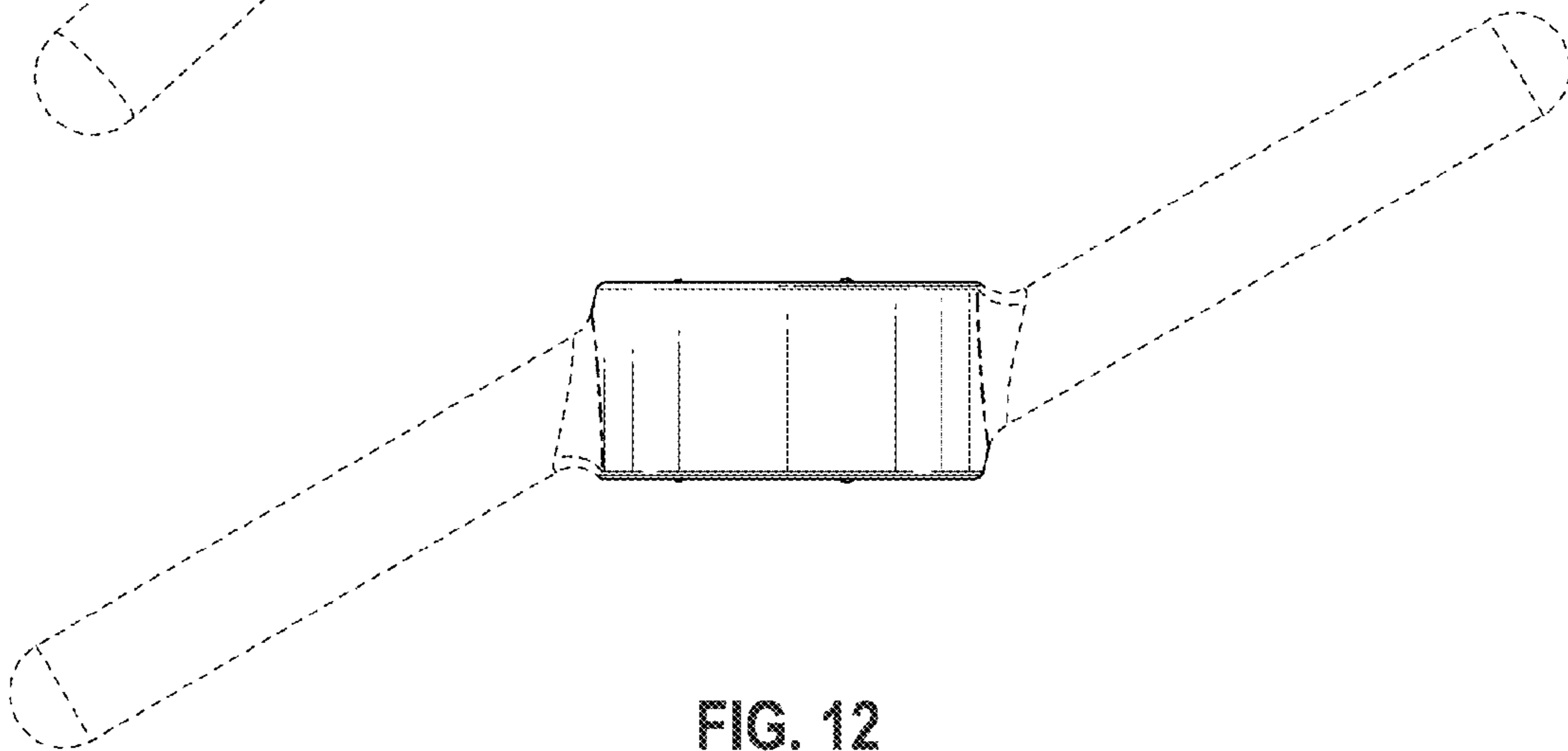


FIG. 12

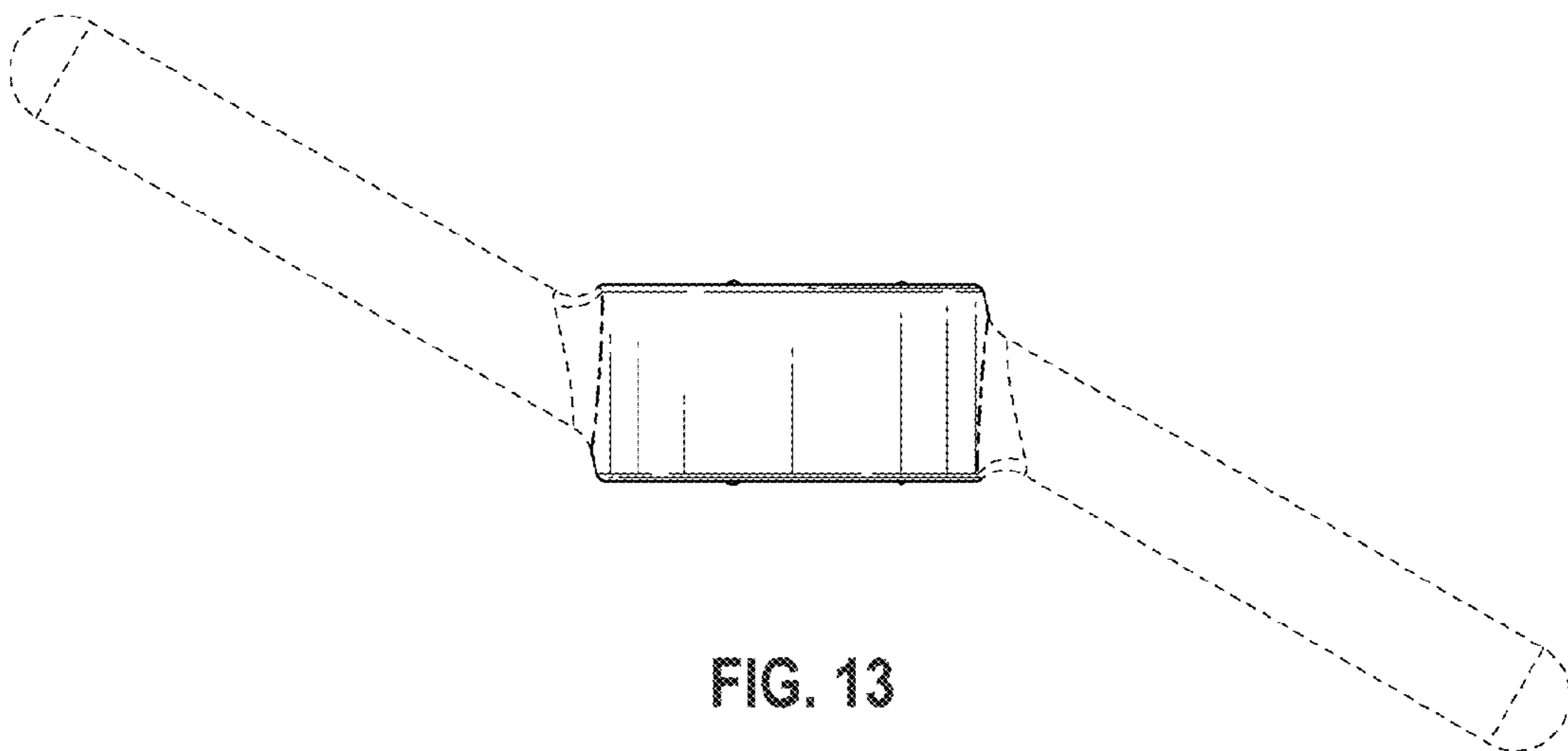


FIG. 13

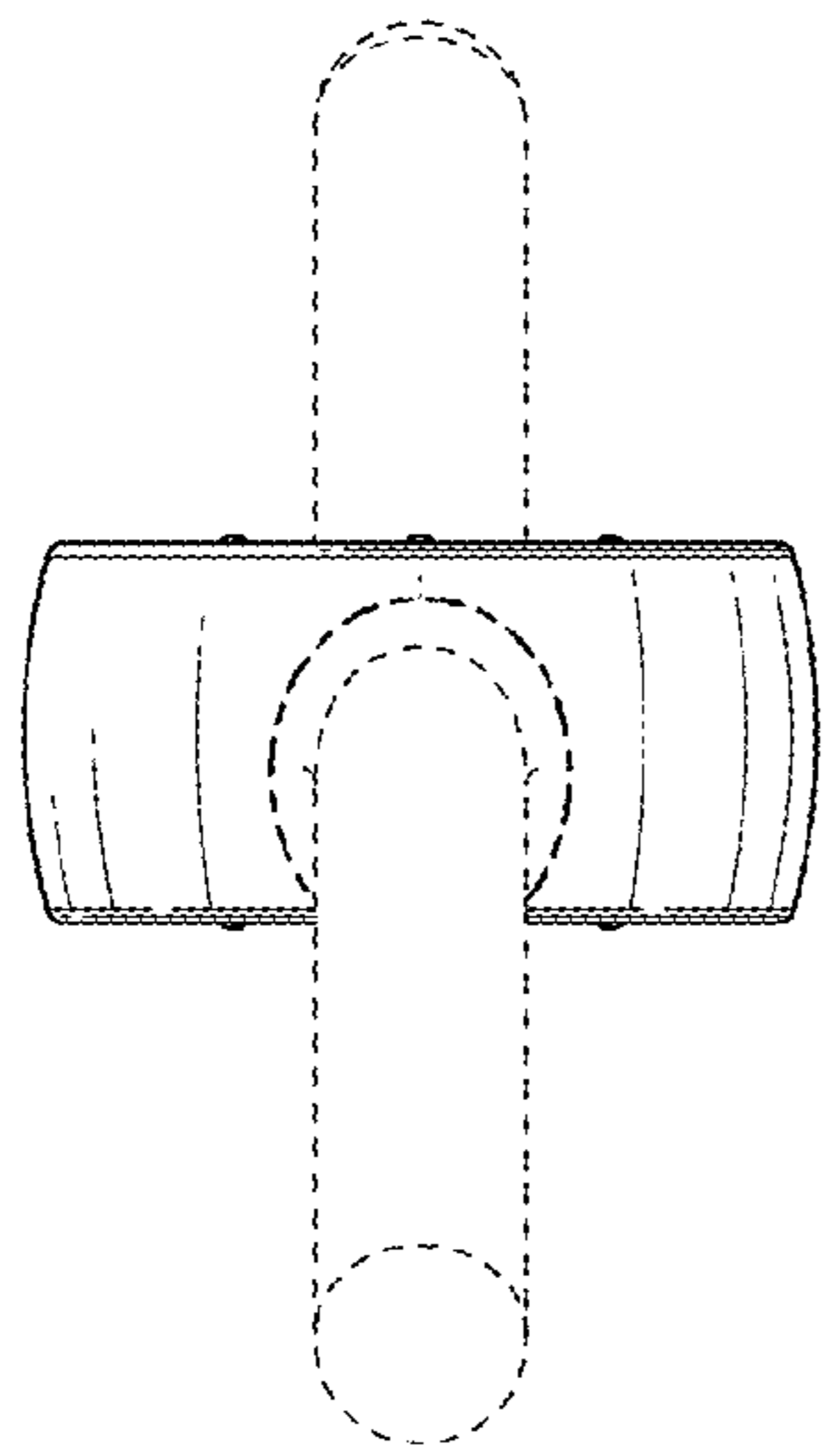


FIG. 14

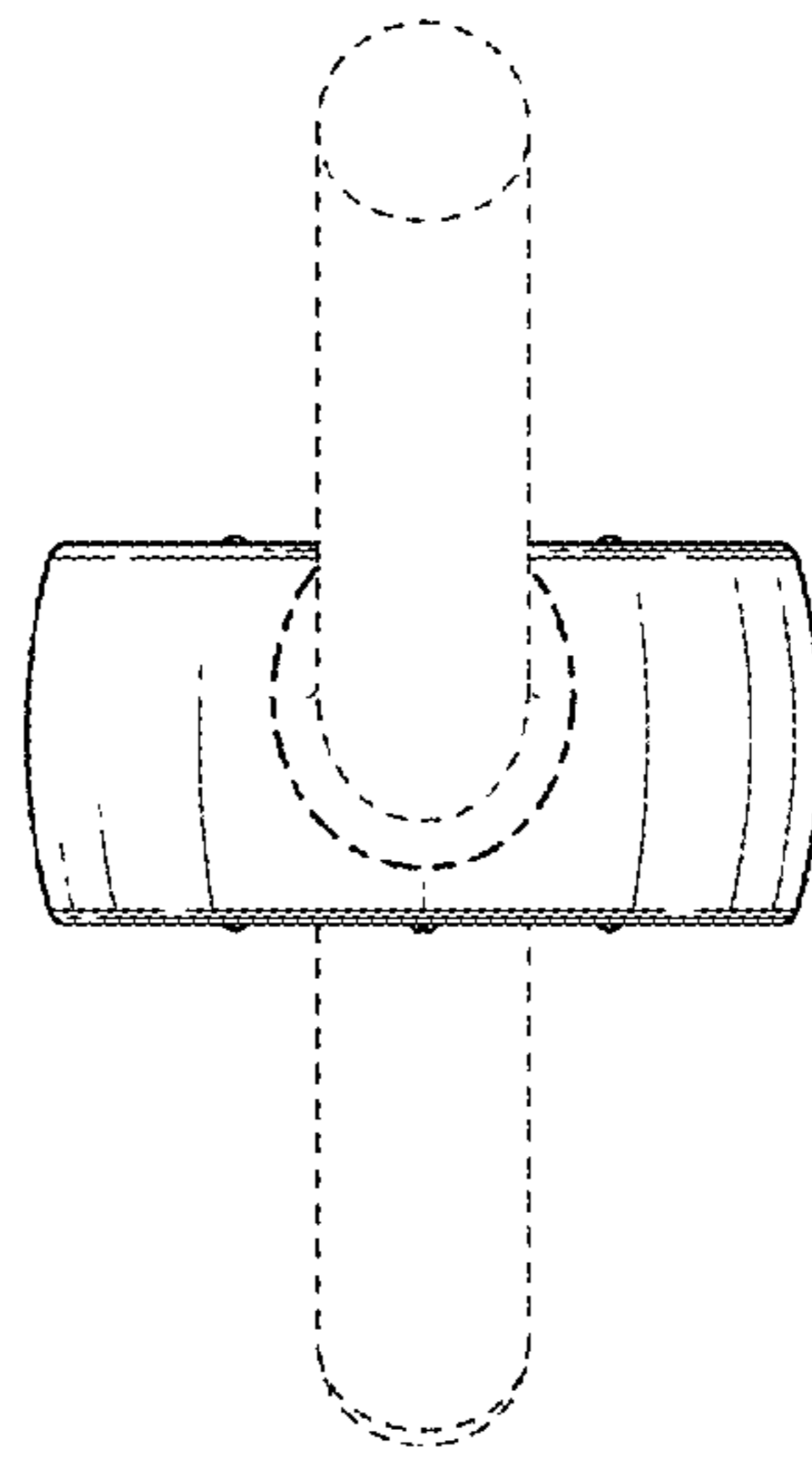


FIG. 15



FIG. 16

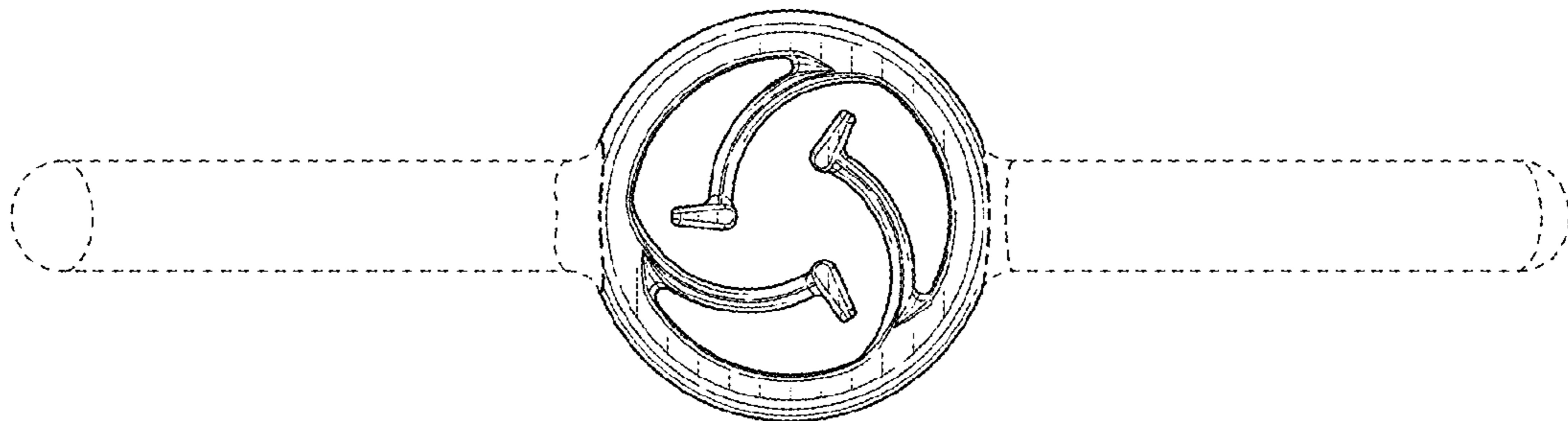


FIG. 17

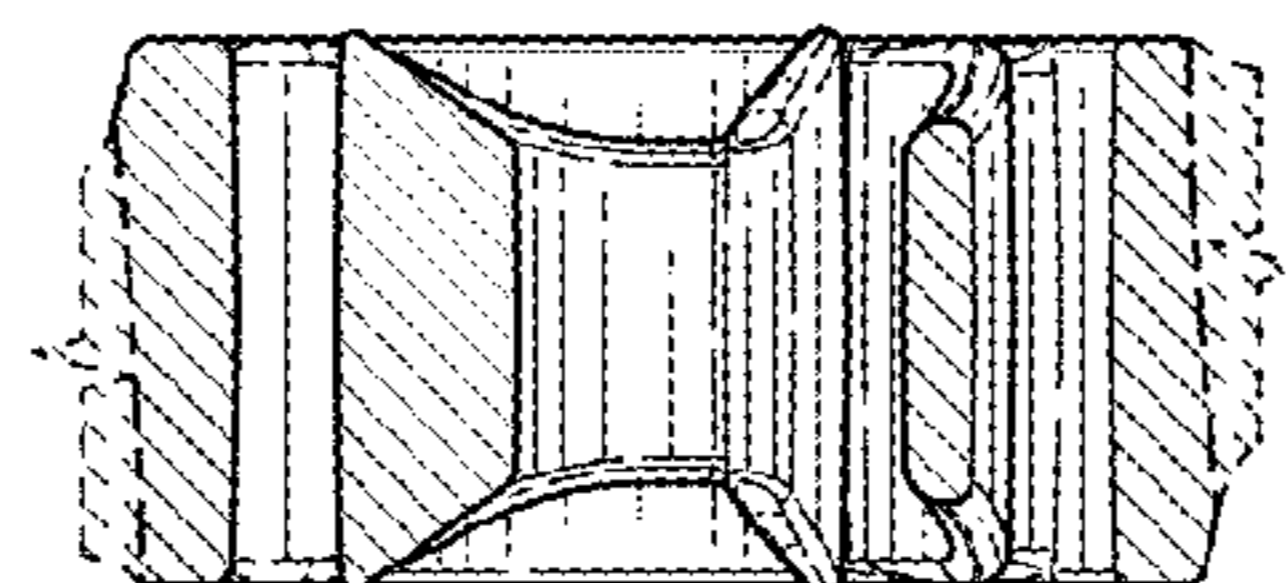


FIG. 18

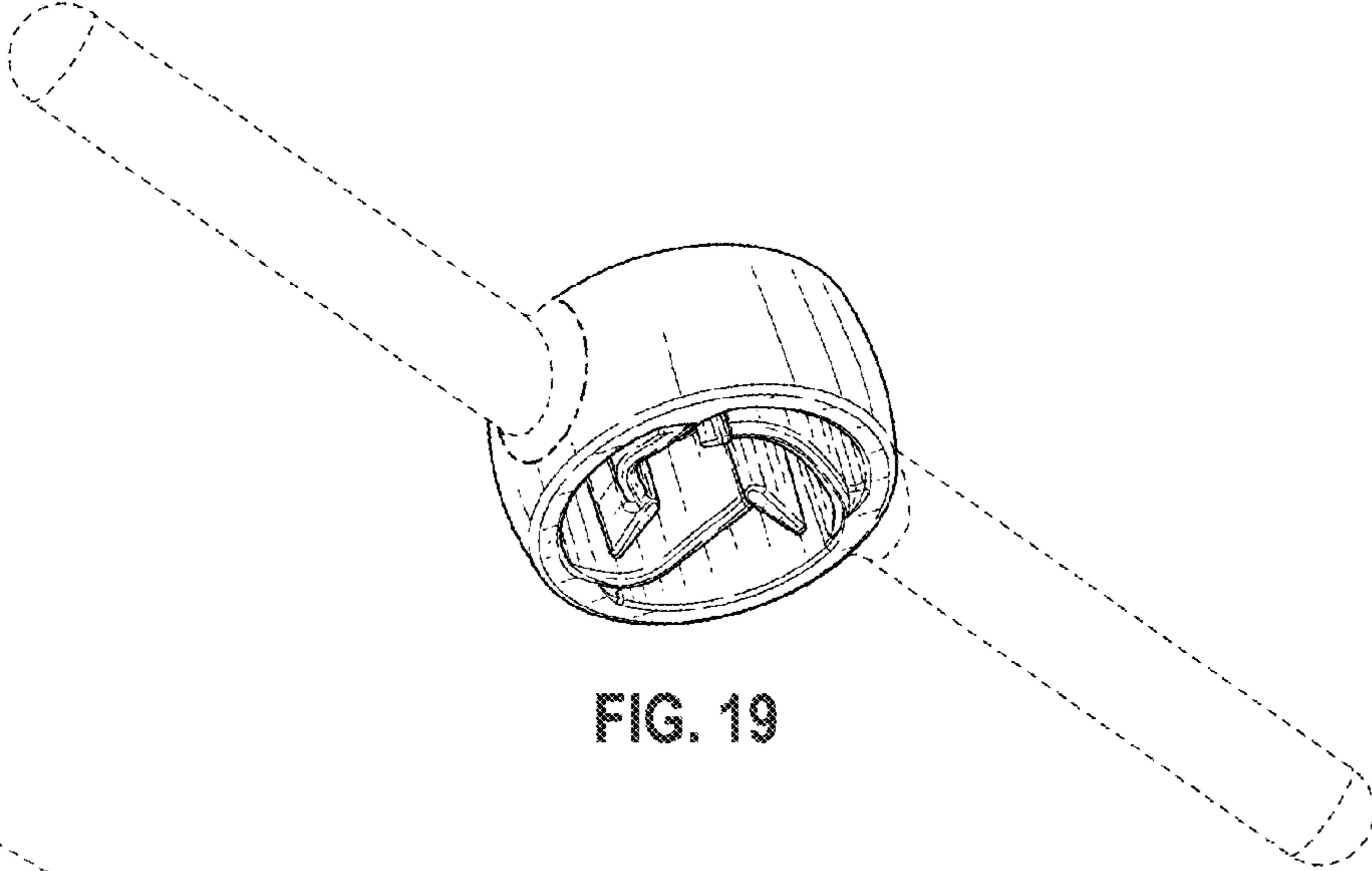


FIG. 19

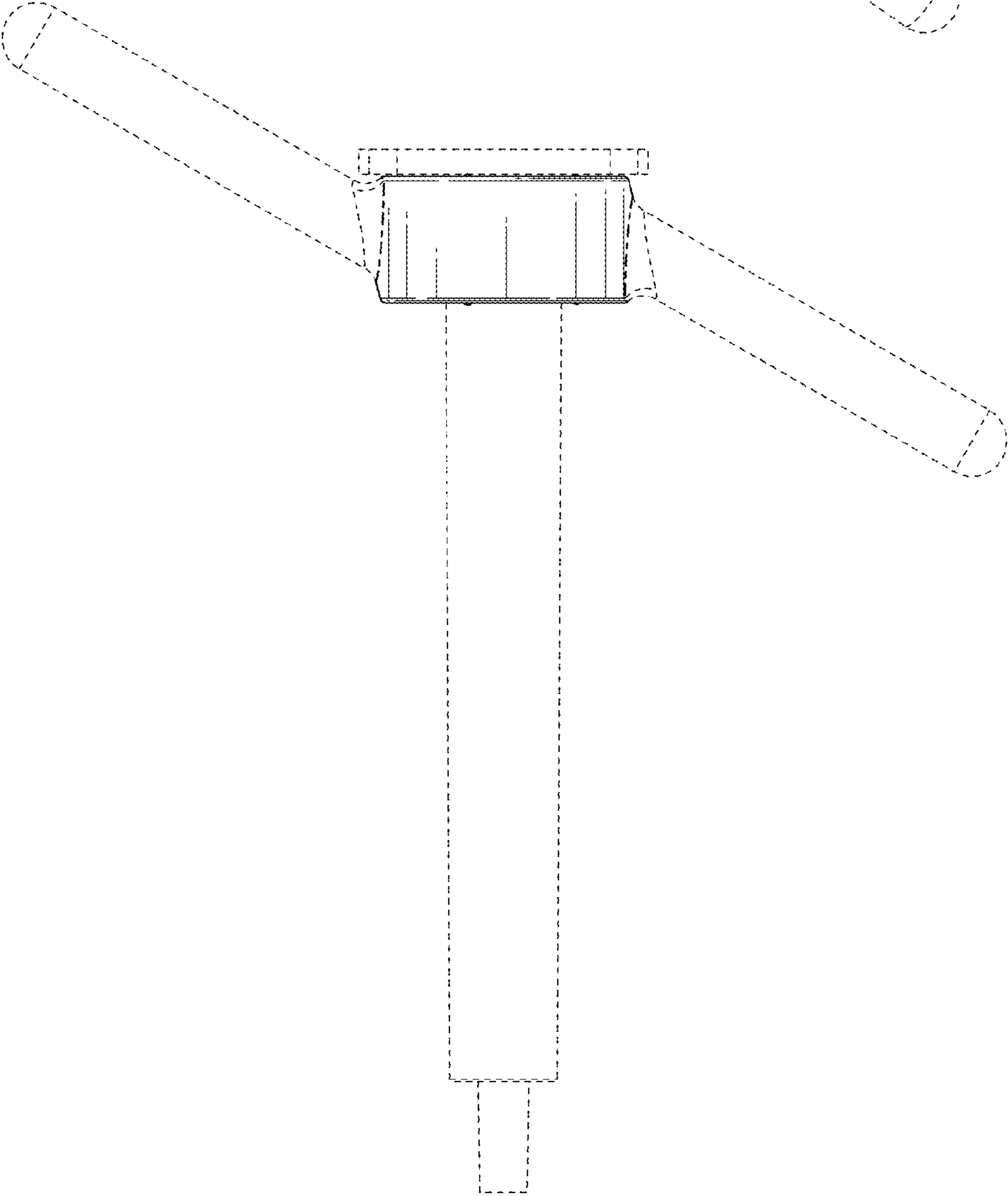


FIG. 20