



US00D987815S

(12) **United States Design Patent**  
**Clippert**

(10) **Patent No.:** **US D987,815 S**

(45) **Date of Patent:** **\*\* May 30, 2023**

(54) **HIGH PRESSURE VACUUM BOTTLE**

(71) Applicant: **Jigsaw Medical, LLC**, Saint Charles, IL (US)

(72) Inventor: **Geoffrey Clippert**, Saint Charles, IL (US)

(73) Assignee: **Jigsaw Medical, LLC**, Saint Charles, IL (US)

(\*\*) Term: **15 Years**

(21) Appl. No.: **29/805,999**

(22) Filed: **Aug. 31, 2021**

(51) **LOC (14) Cl.** ..... **24-04**

(52) **U.S. Cl.**  
USPC ..... **D24/121**

(58) **Field of Classification Search**  
USPC ..... D24/117, 121, 127, 109, 197, 199, 204, D24/207, 231–232; D9/500, 502–505, D9/516, 519, 529, 537, 539, 545, 549  
CPC .. A61M 27/00; A61M 1/0023; A61M 1/0001; A61M 1/0058; A61M 1/0066  
See application file for complete search history.

(56) **References Cited**

U.S. PATENT DOCUMENTS

D15,910 S *	3/1885	Giblin .....	D9/500
D260,177 S	8/1981	Duncan	
D260,433 S	8/1981	Duncan	
D270,761 S	9/1983	Larkin	
D280,023 S	8/1985	Bootman	
4,828,546 A	5/1989	McNeil	
D318,917 S *	8/1991	Karamian .....	D24/232
D340,771 S	10/1993	Levy	
D513,592 S	1/2006	O'Day	
7,048,724 B2	5/2006	Grossman	
7,234,606 B2	6/2007	Kraus	
D585,745 S	2/2009	Honkawa	
D702,556 S *	4/2014	Quasters .....	D9/519

D818,119 S	5/2018	Schoeller	
D845,026 S *	4/2019	Bergelin .....	D9/503
D856,805 S *	8/2019	Moretti .....	D9/500
10,441,251 B2 *	10/2019	Kerr .....	A61M 1/602
10,610,665 B2	4/2020	Krueger	
D888,559 S *	6/2020	Harris .....	D9/500

(Continued)

OTHER PUBLICATIONS

Jet-Vac® Bottles, Jet-Vac, PfmmedicalUSA.com, [Post date: Feb. 24, 2018], [Site seen Dec. 28, 2022], Seen at URL: <http://www.pfmmedicalusa.com/wp-content/uploads/2014/10/Jet-1500-Bottles.jpg> (Year: 2018).\*

(Continued)

*Primary Examiner* — Natasha Vujcic

*Assistant Examiner* — Gilbert B Ford

(74) *Attorney, Agent, or Firm* — Polsinelli PC

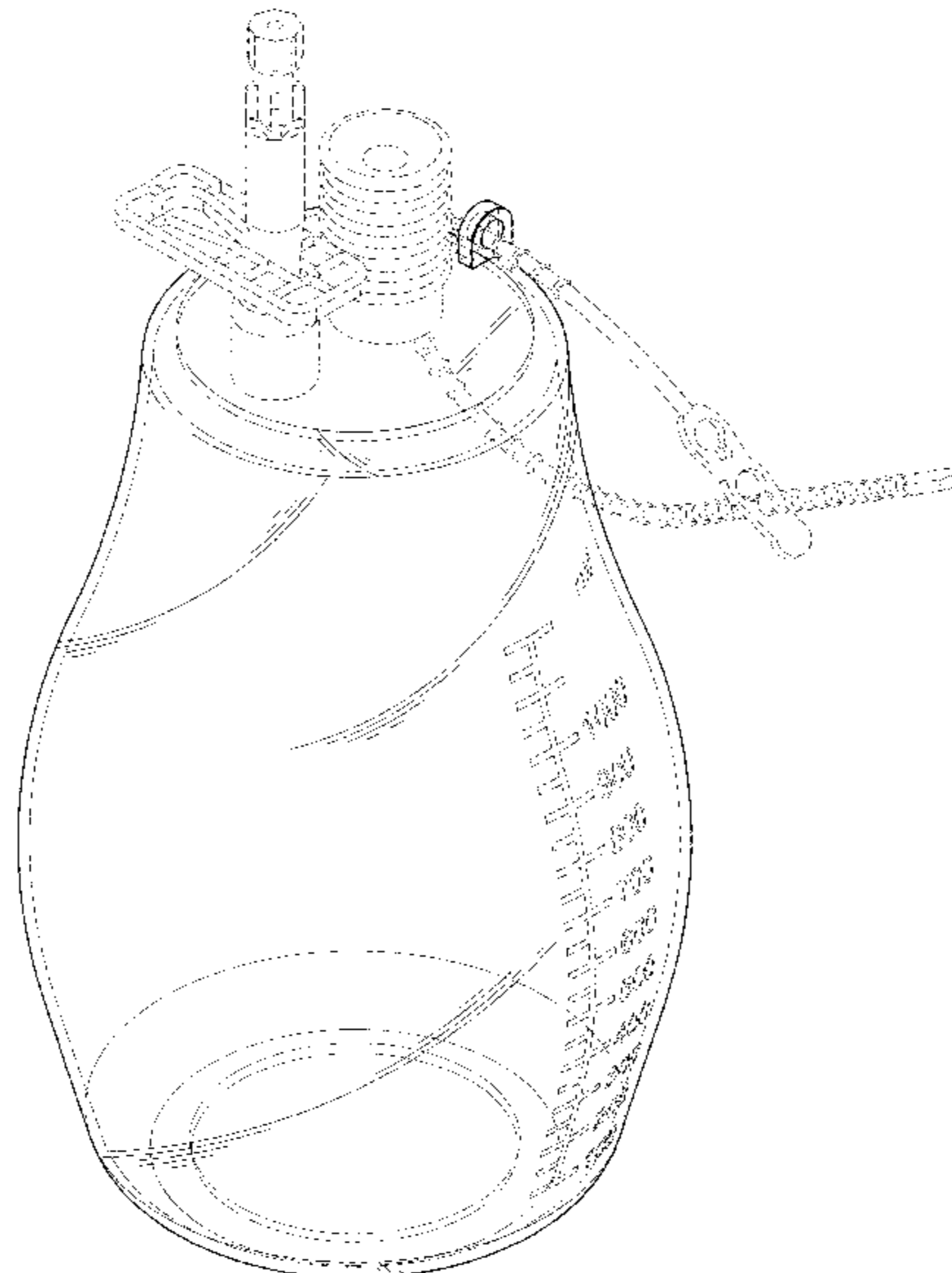
(57) **CLAIM**

I claim, the ornamental design for a high pressure vacuum bottle, as shown and described.

**DESCRIPTION**

FIG. 1 is a front, top, right side perspective view of a high pressure vacuum bottle according to the new design; FIG. 2 is a front side elevation view thereof; FIG. 3 is a rear side elevation view thereof; FIG. 4 is a left side elevation view thereof; FIG. 5 is a right side elevation view thereof; FIG. 6 is a top plan view thereof; FIG. 7 is a bottom plan view thereof; and, FIG. 8 is a front, bottom, left side perspective view thereof. The broken lines in the drawings illustrate portions of the high pressure vacuum bottle which form no part of the claimed design. The oblique lines in the figures show a translucent or transparent material.

**1 Claim, 8 Drawing Sheets**



(56)

**References Cited**

U.S. PATENT DOCUMENTS

D896,952	S	9/2020	Kerr	
11,141,513	B2 *	10/2021	Locke .....	A61M 1/98
11,493,502	B2 *	11/2022	Carew .....	A61J 1/00
2004/0116902	A1 *	6/2004	Grossman .....	A61M 1/732 604/540
2007/0027433	A1	2/2007	Garcia	
2009/0281509	A1	11/2009	Gellis	
2013/0110087	A1	5/2013	Kane	
2014/0163488	A1	6/2014	Vaillancourt	
2014/0243707	A1	8/2014	Kerr	
2018/0256788	A1	9/2018	Backes	
2019/0111191	A1	4/2019	Jho	
2020/0054801	A1	2/2020	Lee	
2022/0080097	A1 *	3/2022	Davis .....	A61M 1/60

OTHER PUBLICATIONS

Hoe Drainage Kits, Jigsaw Medical, [jigsawmed.com](https://www.jigsawmed.com), [Post date: unknown], [Site seen Dec. 28, 2022], seen at URL: <https://www.jigsawmed.com/homedrainagekits> (Year: 2022).\*

\* cited by examiner

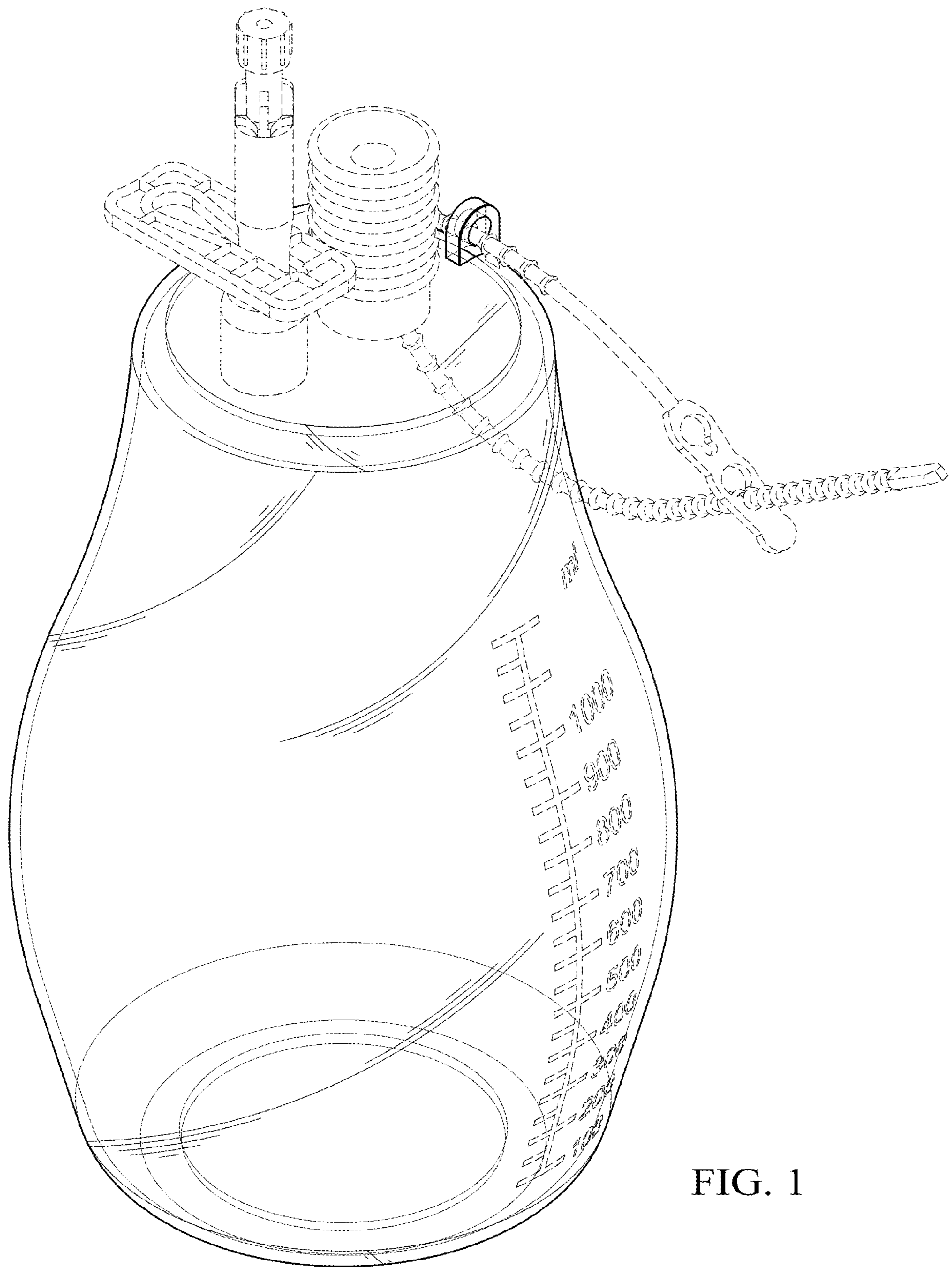


FIG. 1

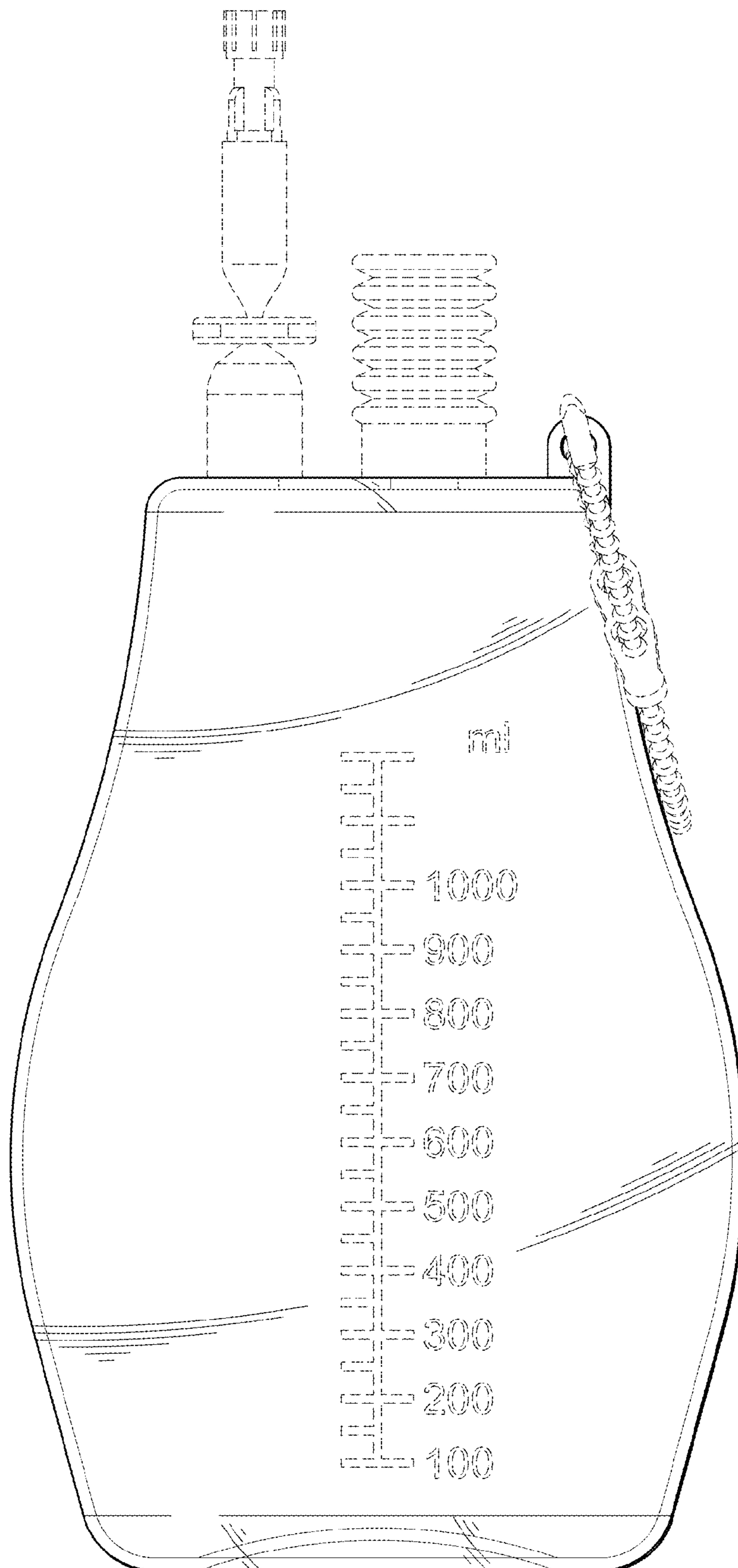


FIG. 2

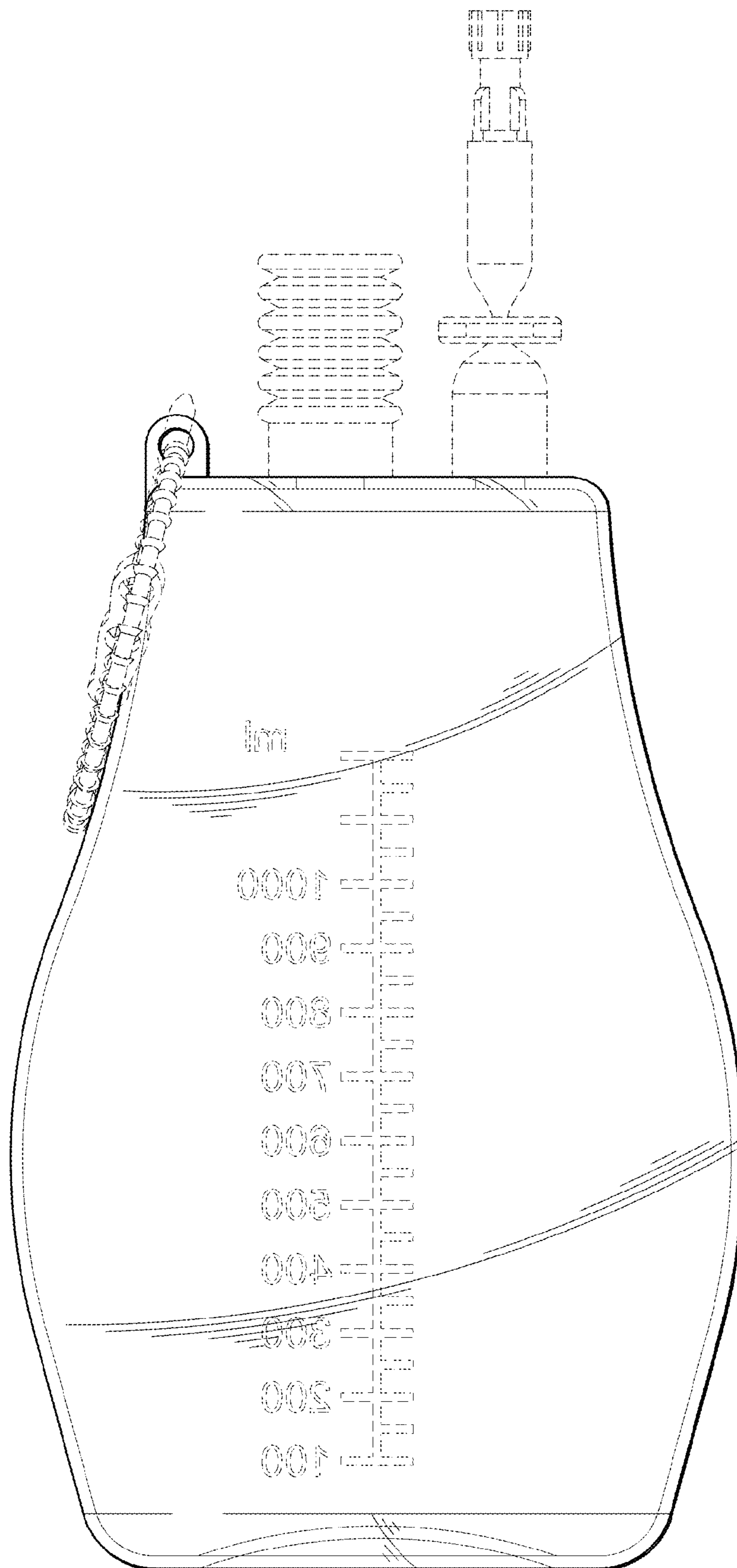


FIG. 3

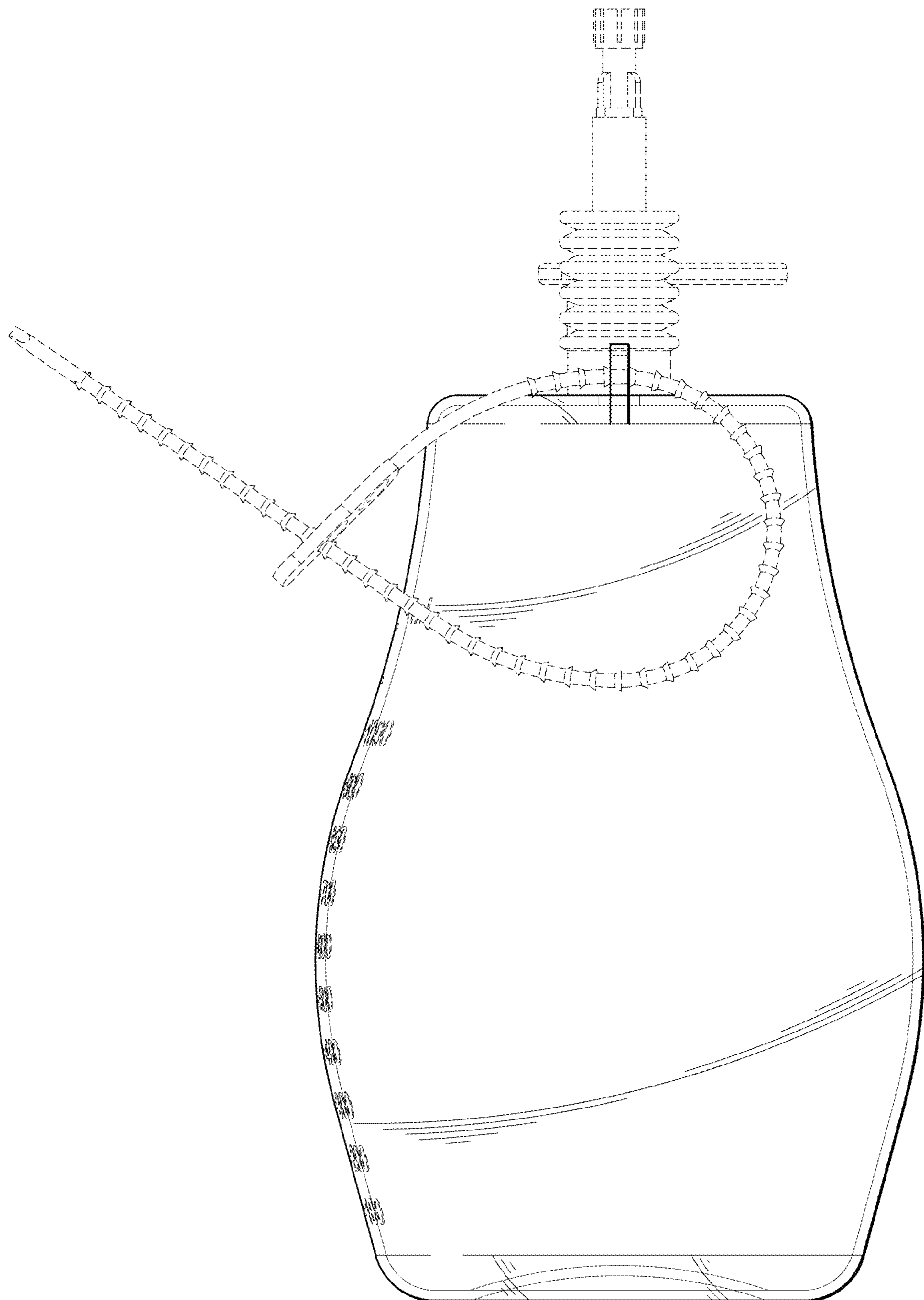


FIG. 4

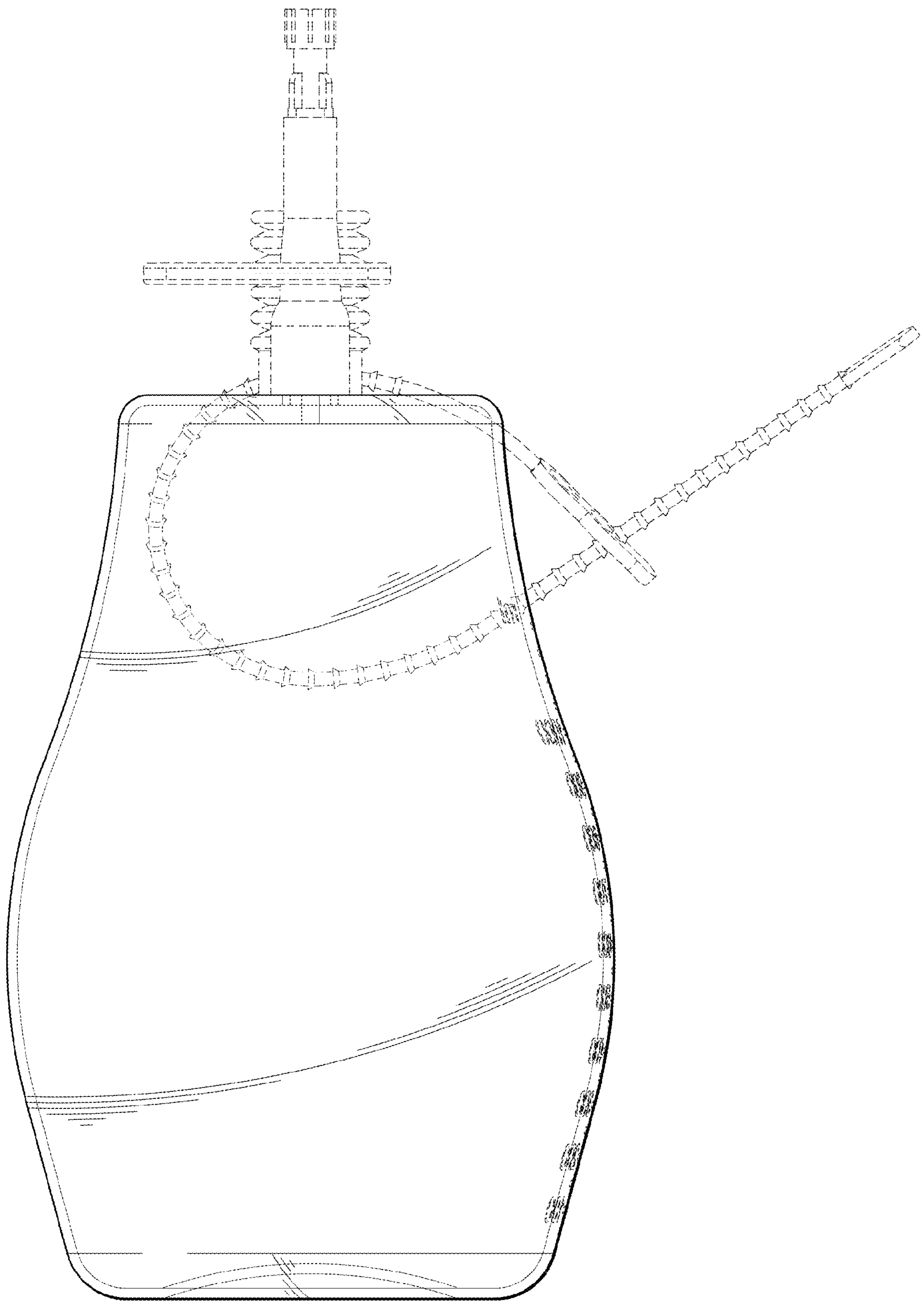


FIG. 5

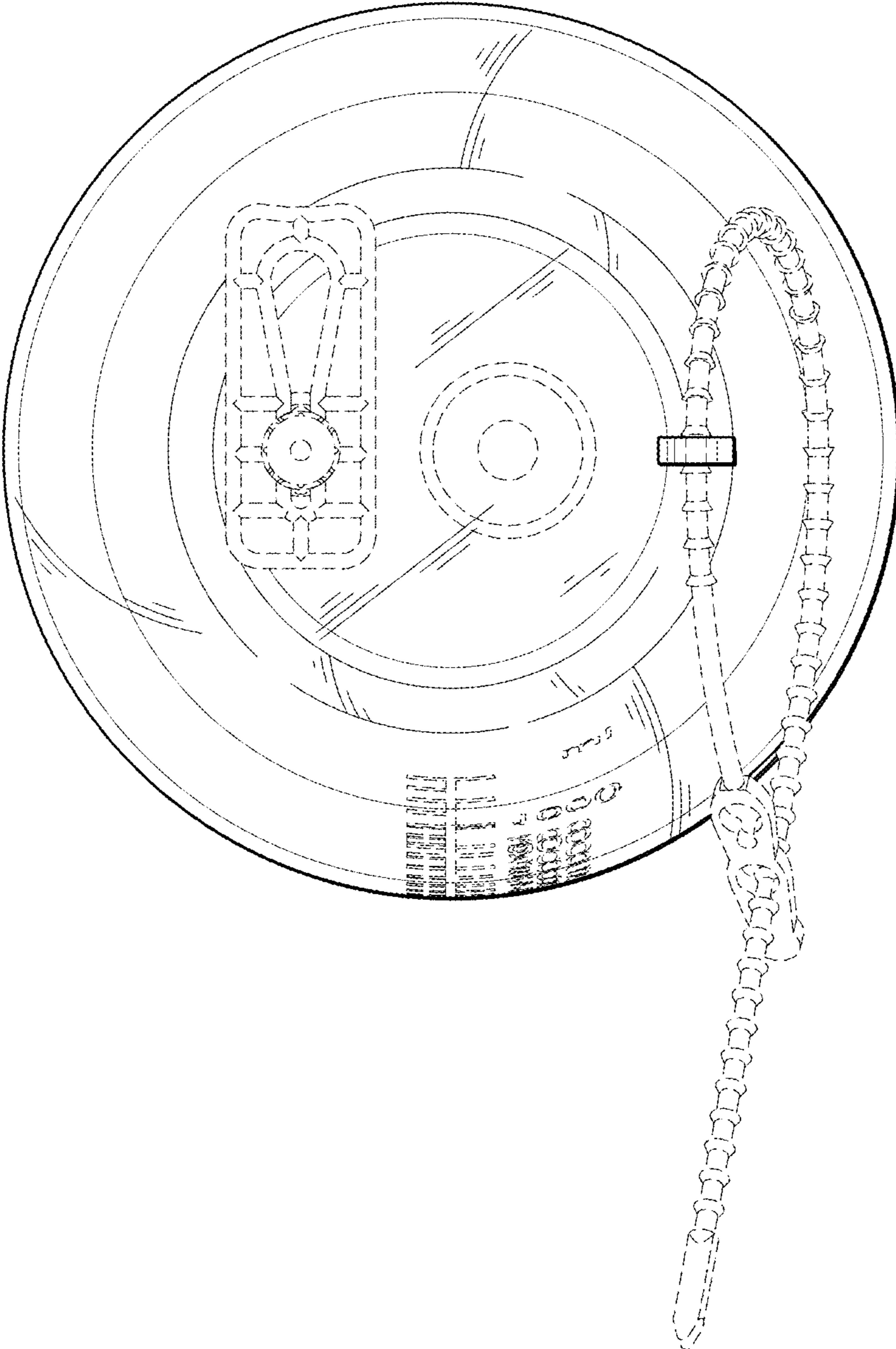


FIG. 6



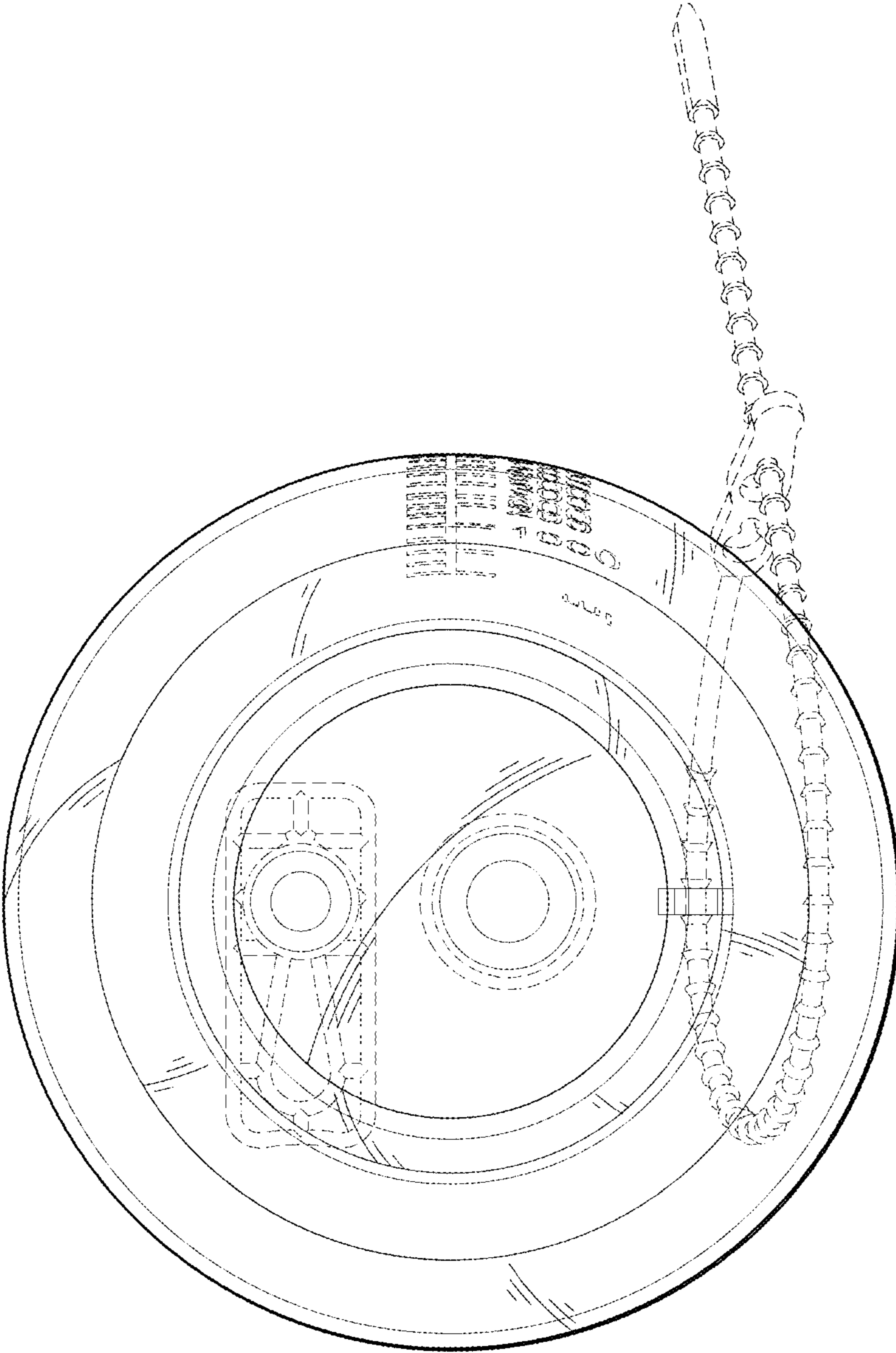


FIG. 7

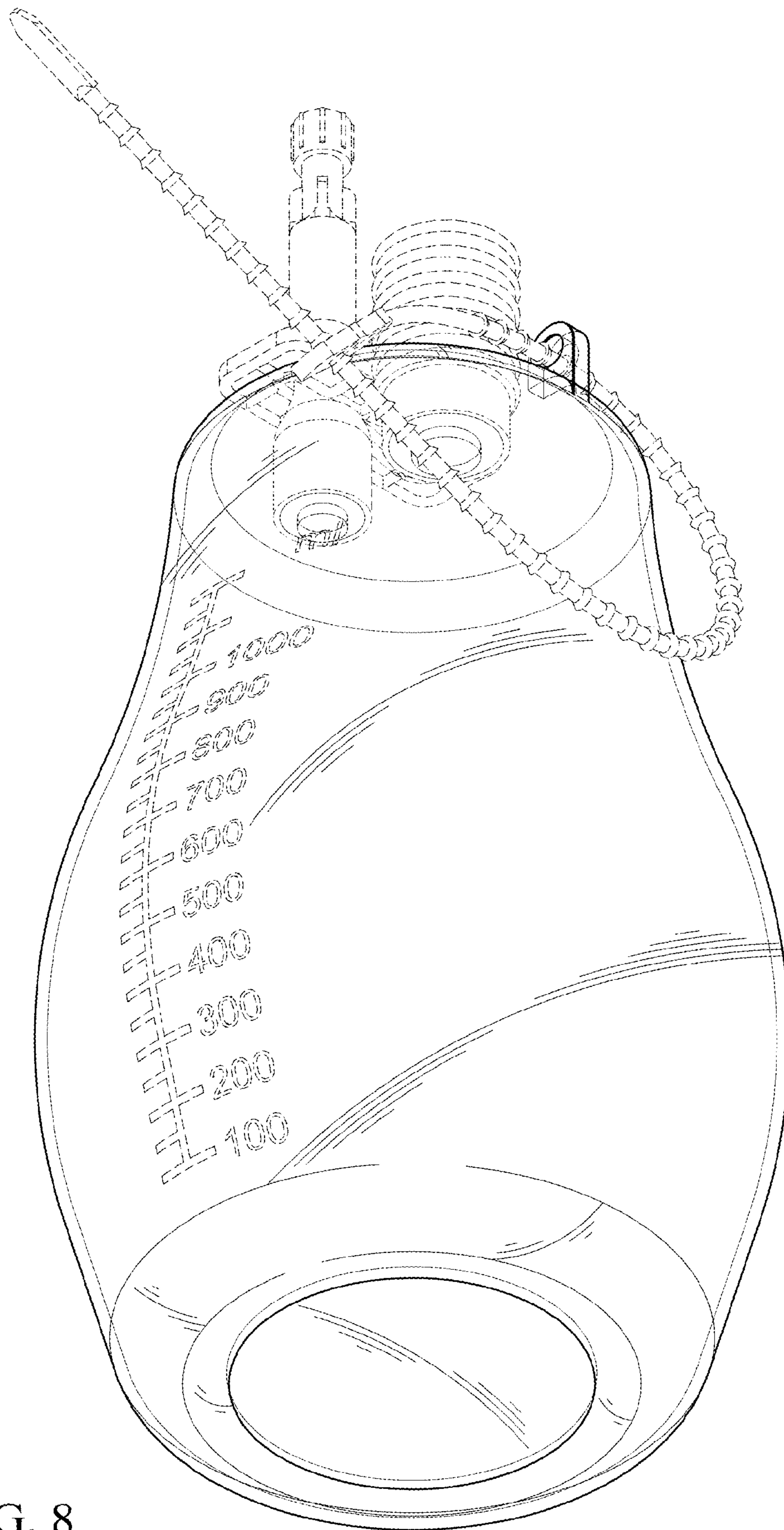


FIG. 8