



US00D987806S

(12) **United States Design Patent**
Mouriz et al.

(10) **Patent No.:** **US D987,806 S**

(45) **Date of Patent:** **** May 30, 2023**

- (54) **VENT FOR ROOF COVER**
- (71) Applicant: **STRUCTURAL WRAP, LLC**, Miami, FL (US)
- (72) Inventors: **Christopher M. Mouriz**, Miami, FL (US); **Spiro Naos**, Miami, FL (US); **Larry J. Bond**, Miami, FL (US)
- (73) Assignee: **STRUCTURAL WRAP, LLC**, Miami, FL (US)

(**) Term: **15 Years**

(21) Appl. No.: **29/781,991**

(22) Filed: **May 3, 2021**

(51) **LOC (14) Cl.** **23-04**

(52) **U.S. Cl.**
USPC **D23/373**

(58) **Field of Classification Search**
USPC D23/370-376, 386, 393, 411-412
CPC E04D 13/17; E04D 5/00
See application file for complete search history.

(56) **References Cited**

U.S. PATENT DOCUMENTS

- 2,839,986 A * 6/1958 Herman F24F 13/08
114/211
- 3,013,483 A * 12/1961 Knight B63J 2/10
D23/371

- 3,524,400 A * 8/1970 Magi B63J 2/10
114/211
- D242,355 S * 11/1976 Kumada D23/375
- D731,047 S * 6/2015 Leonard D23/373
- D774,636 S * 12/2016 Ramsay D23/373
- D882,057 S * 4/2020 Rizo D23/373
- D934,409 S * 10/2021 Cline D23/393
- 11,293,184 B1 * 4/2022 Mouriz E04D 13/17
- 2020/0055578 A1 * 2/2020 Gust B65D 65/22
- 2021/0079656 A1 * 3/2021 Mouriz E04G 21/24

* cited by examiner

Primary Examiner — Sharon S Oum

(74) *Attorney, Agent, or Firm* — Mark Terry

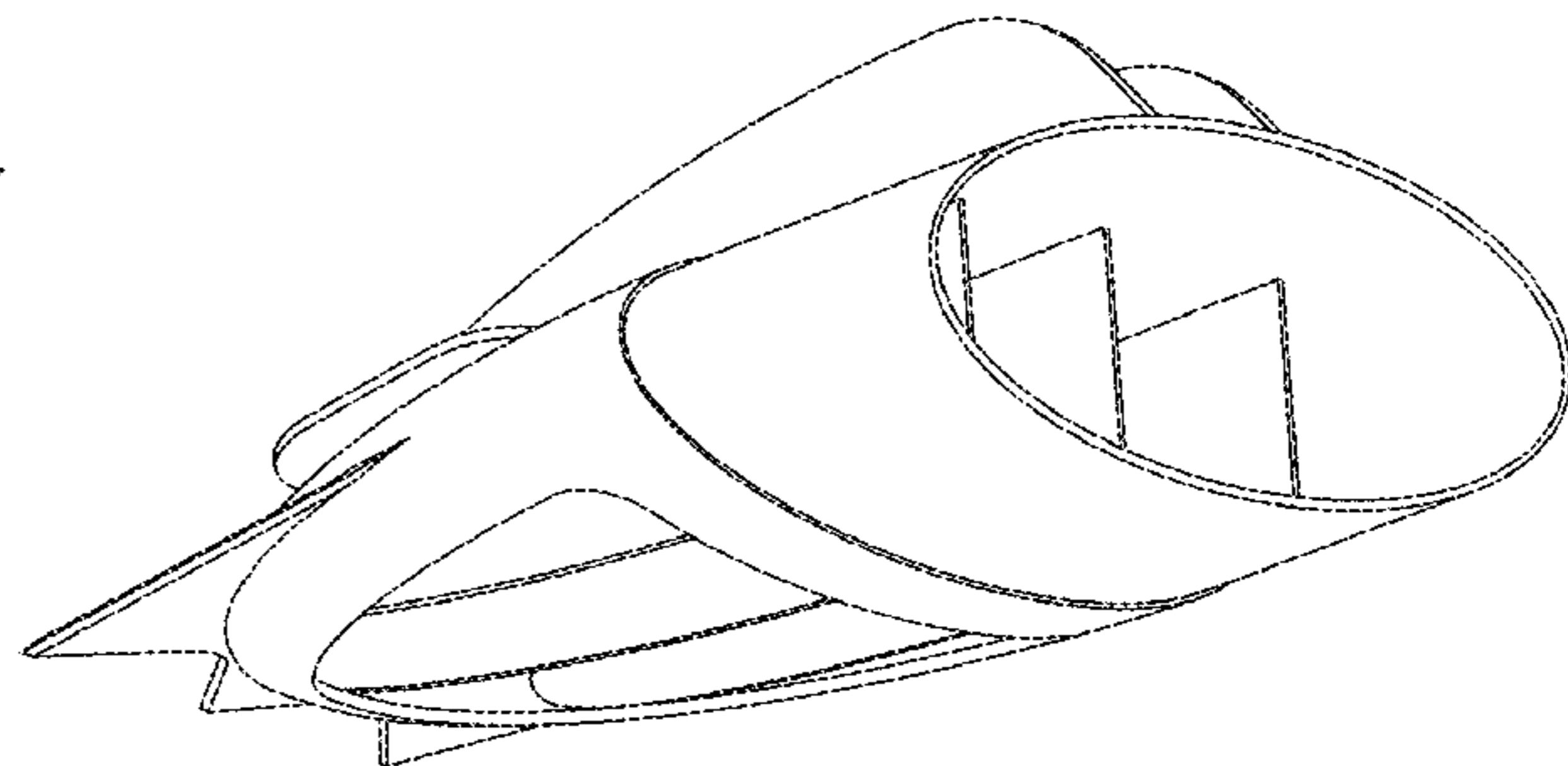
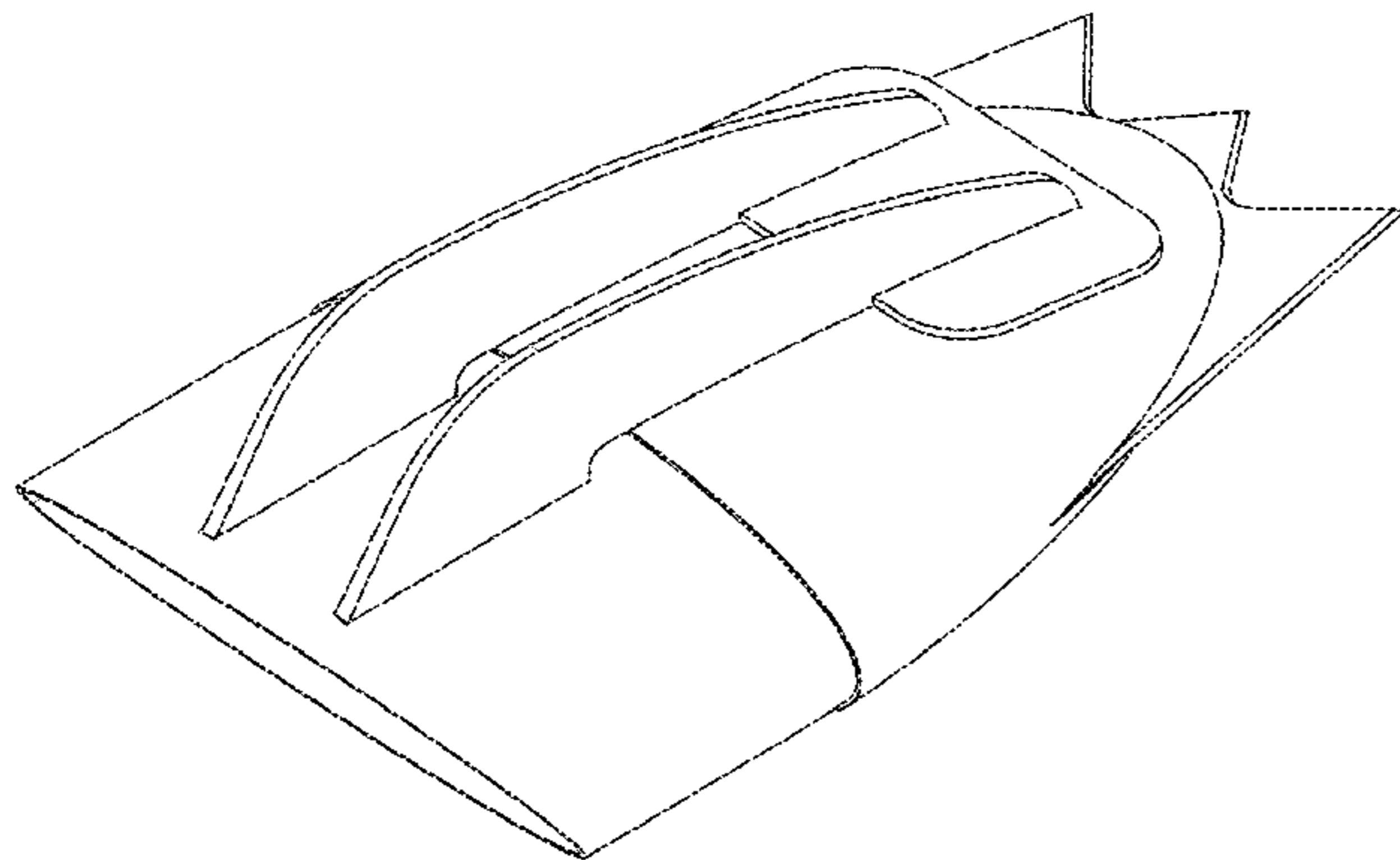
(57) **CLAIM**

The ornamental design for a vent for roof cover, as shown and described.

DESCRIPTION

FIG. 1 is a left side view of the vent for roof cover, showing the new design;
 FIG. 2 is a bottom view thereof;
 FIG. 3 is a right side view thereof;
 FIG. 4 is a top view thereof;
 FIG. 5 is rear view thereof;
 FIG. 6 is a front view thereof;
 FIG. 7 is a top perspective view thereof; and,
 FIG. 8 is a bottom perspective view thereof.

1 Claim, 4 Drawing Sheets



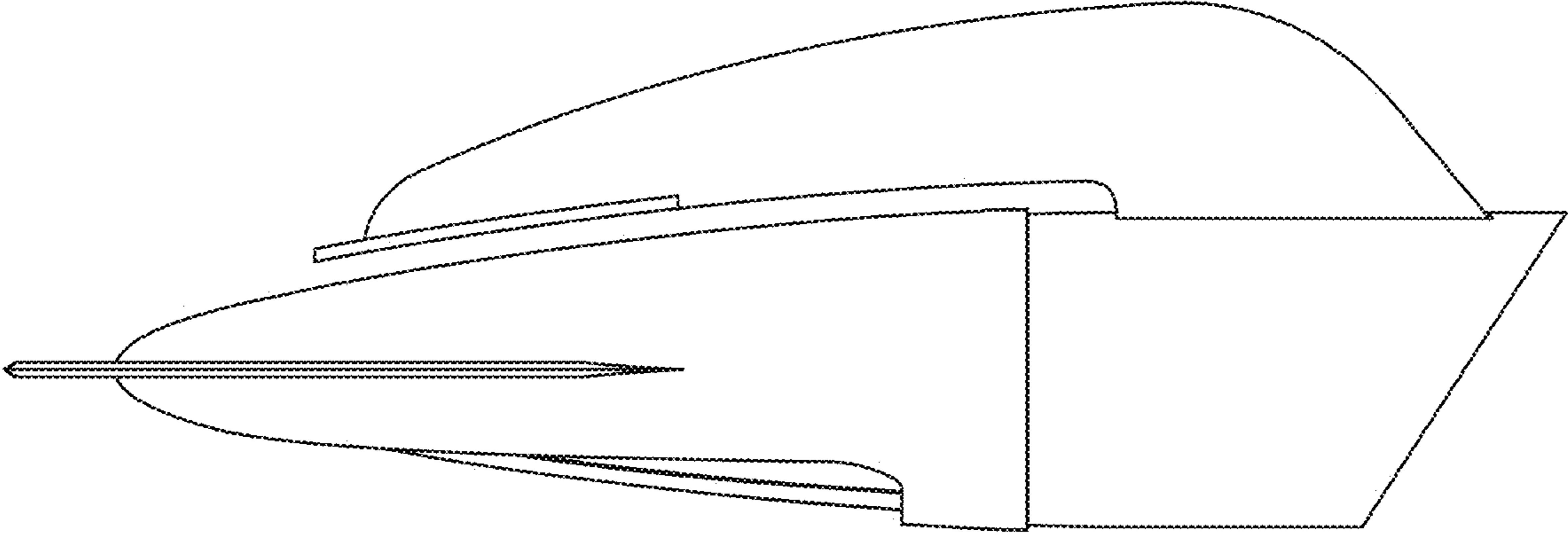


Fig. 1

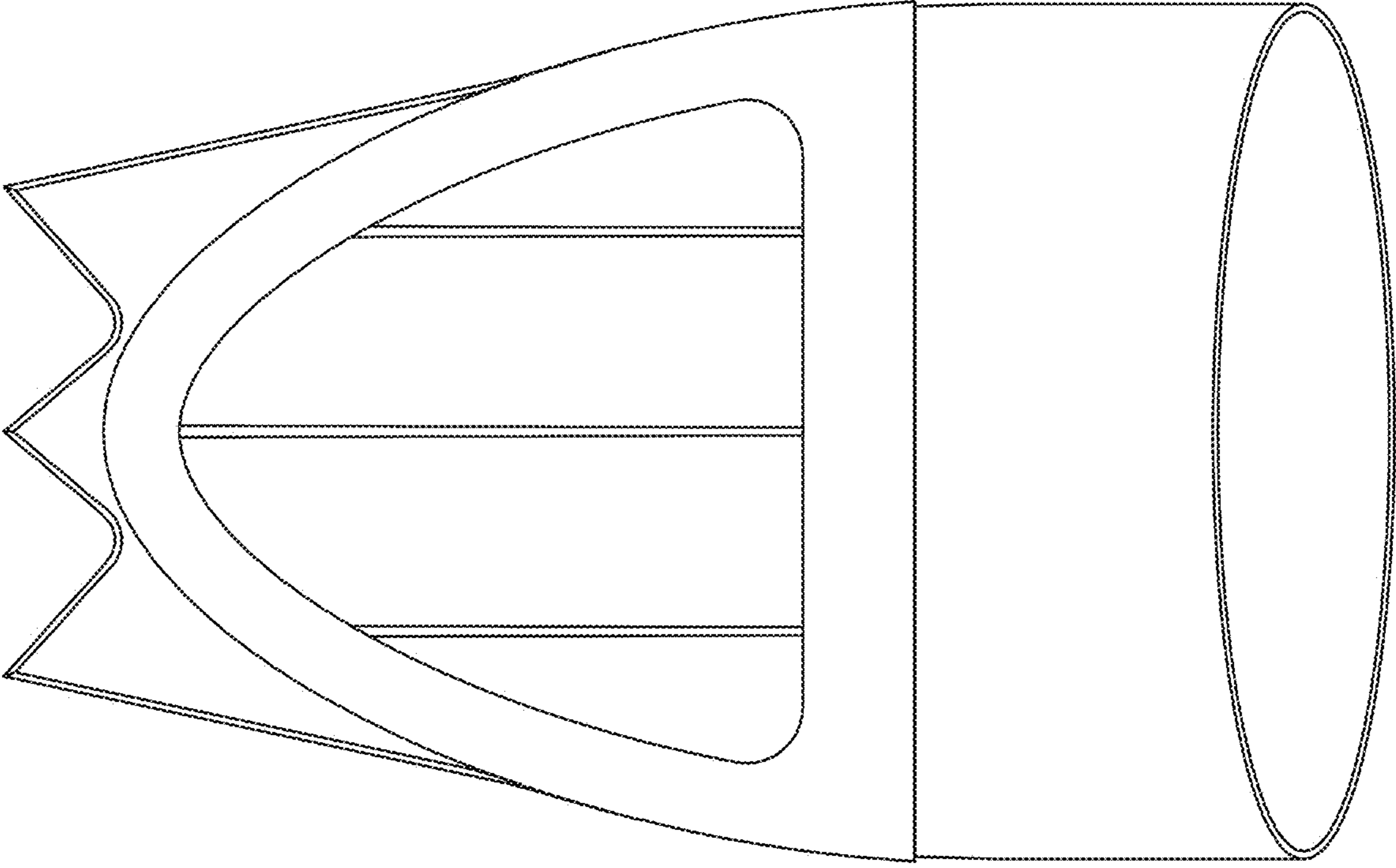


Fig. 2

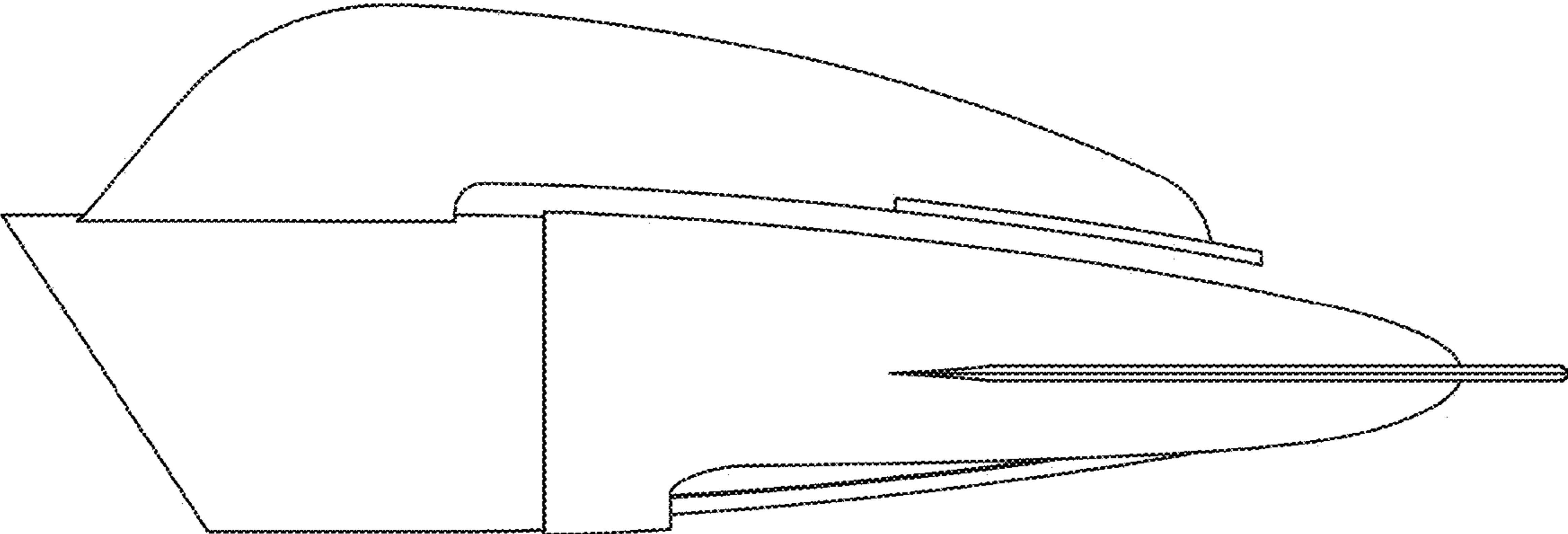


Fig. 3

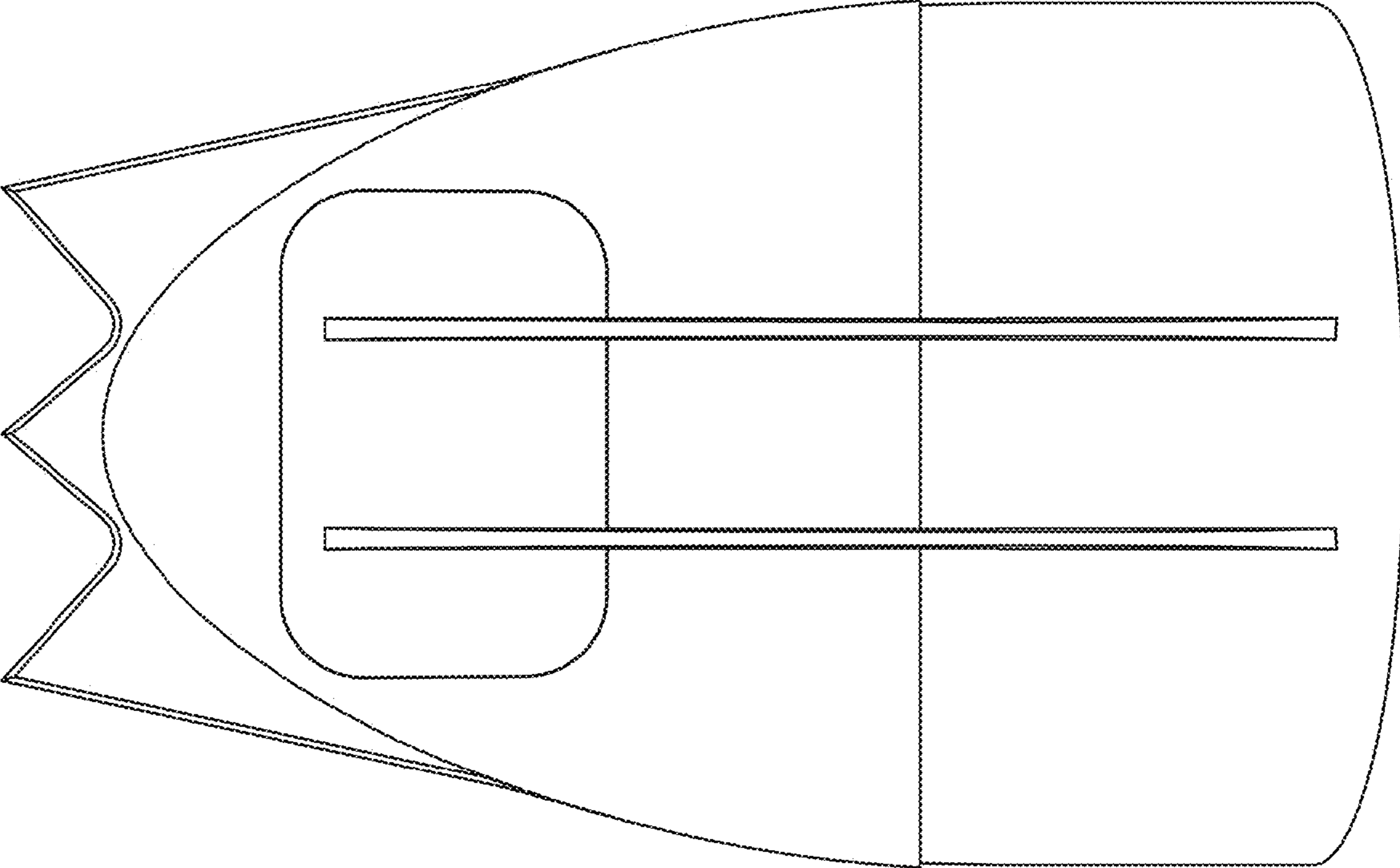


Fig. 4

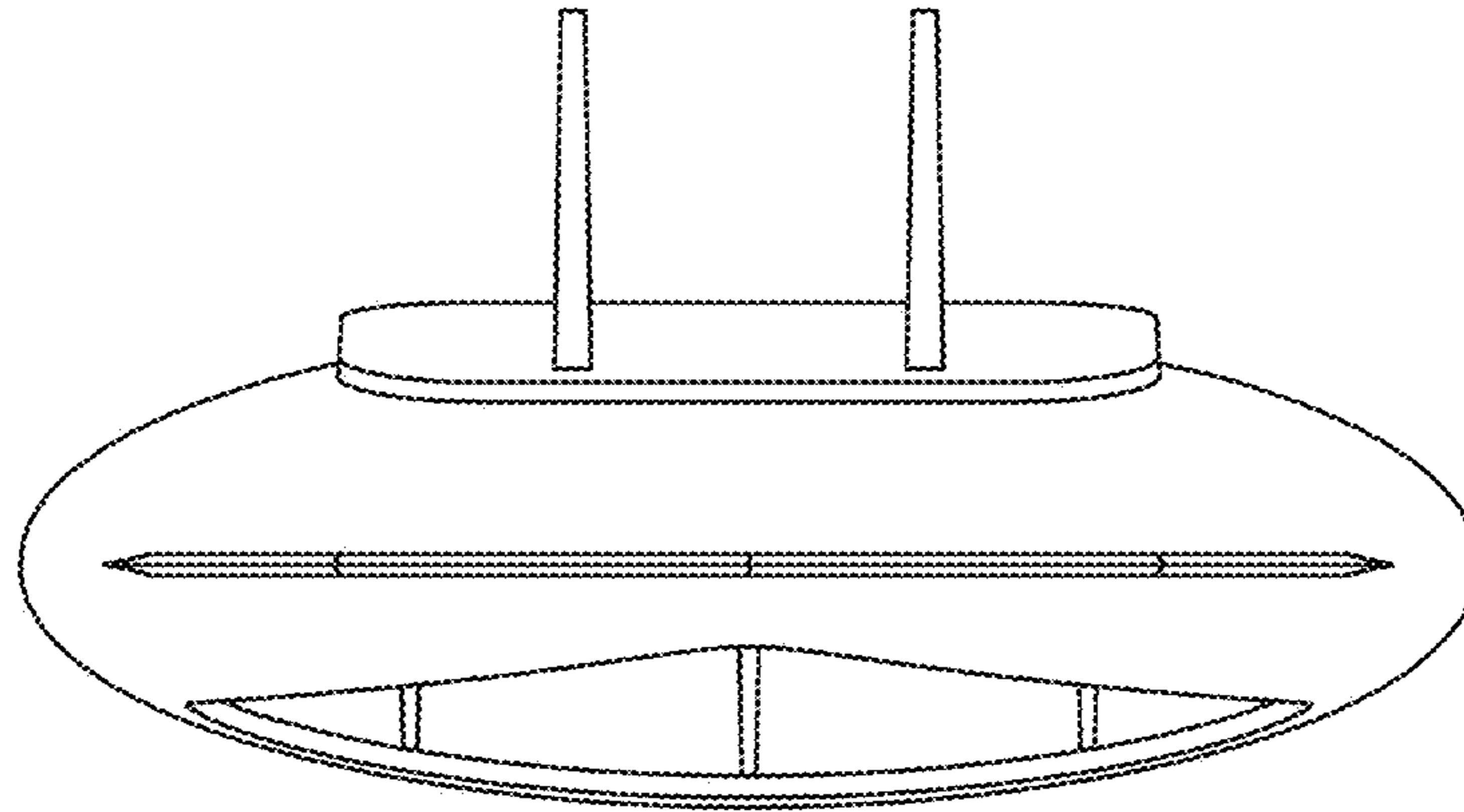


Fig. 5

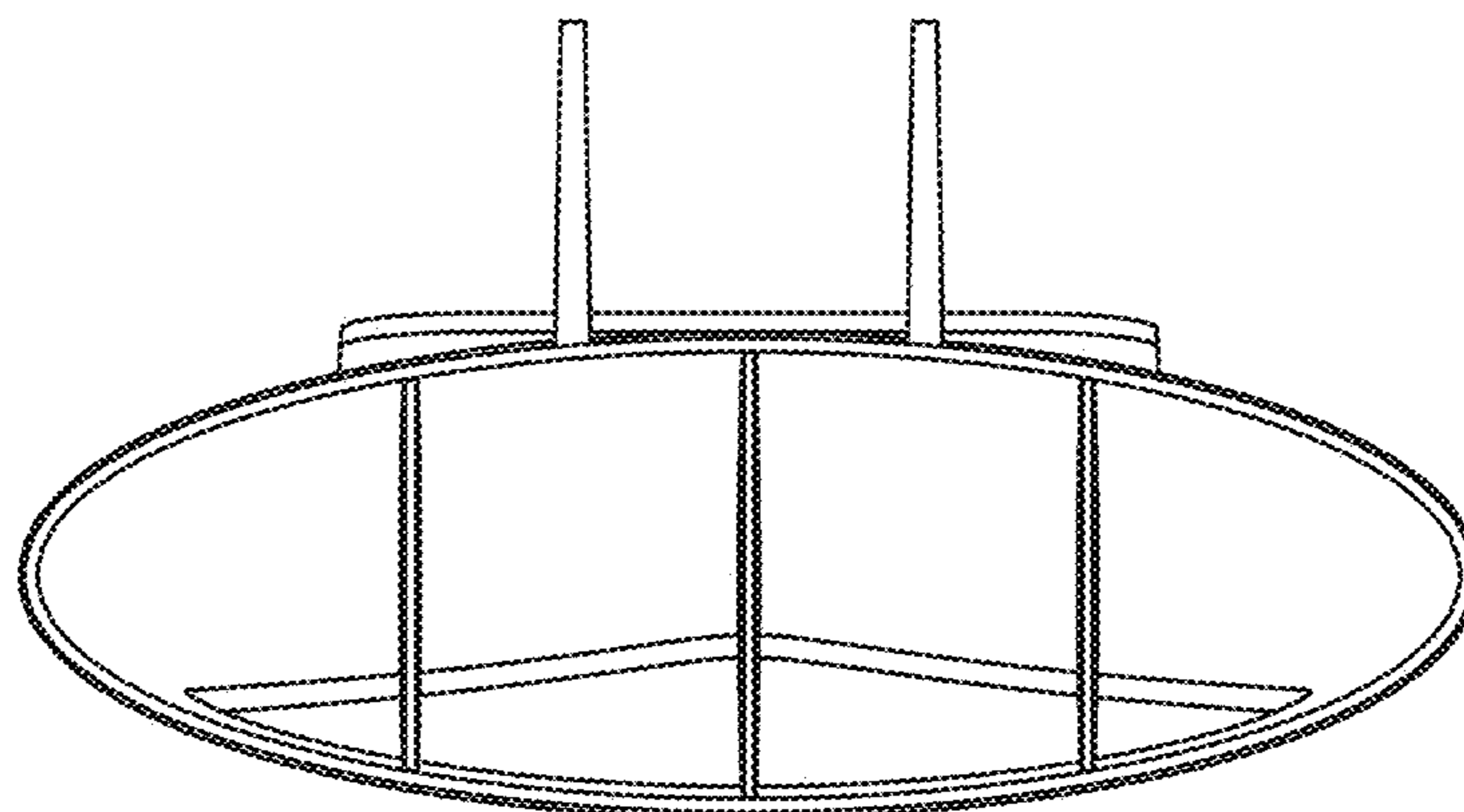


Fig. 6

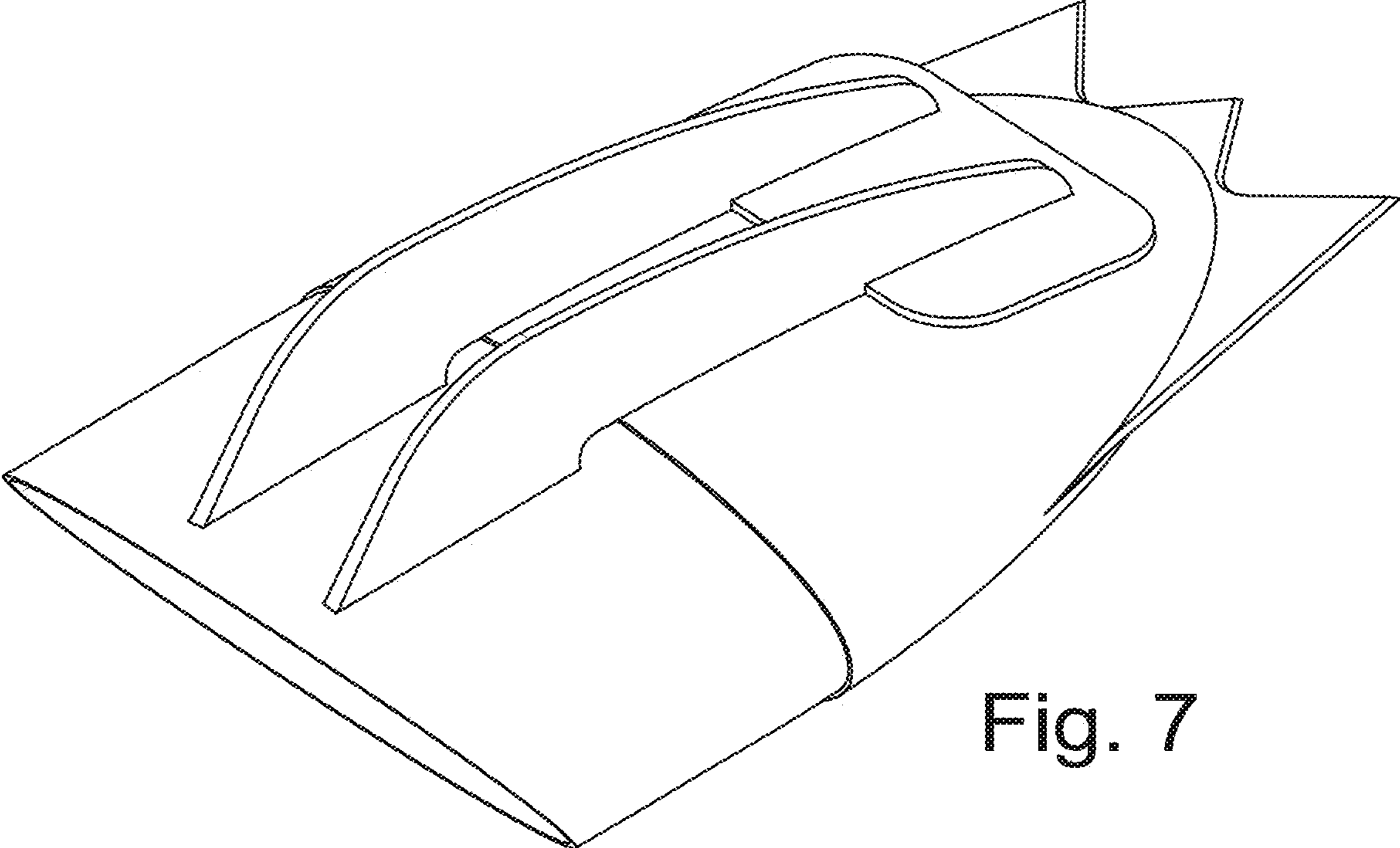


Fig. 7

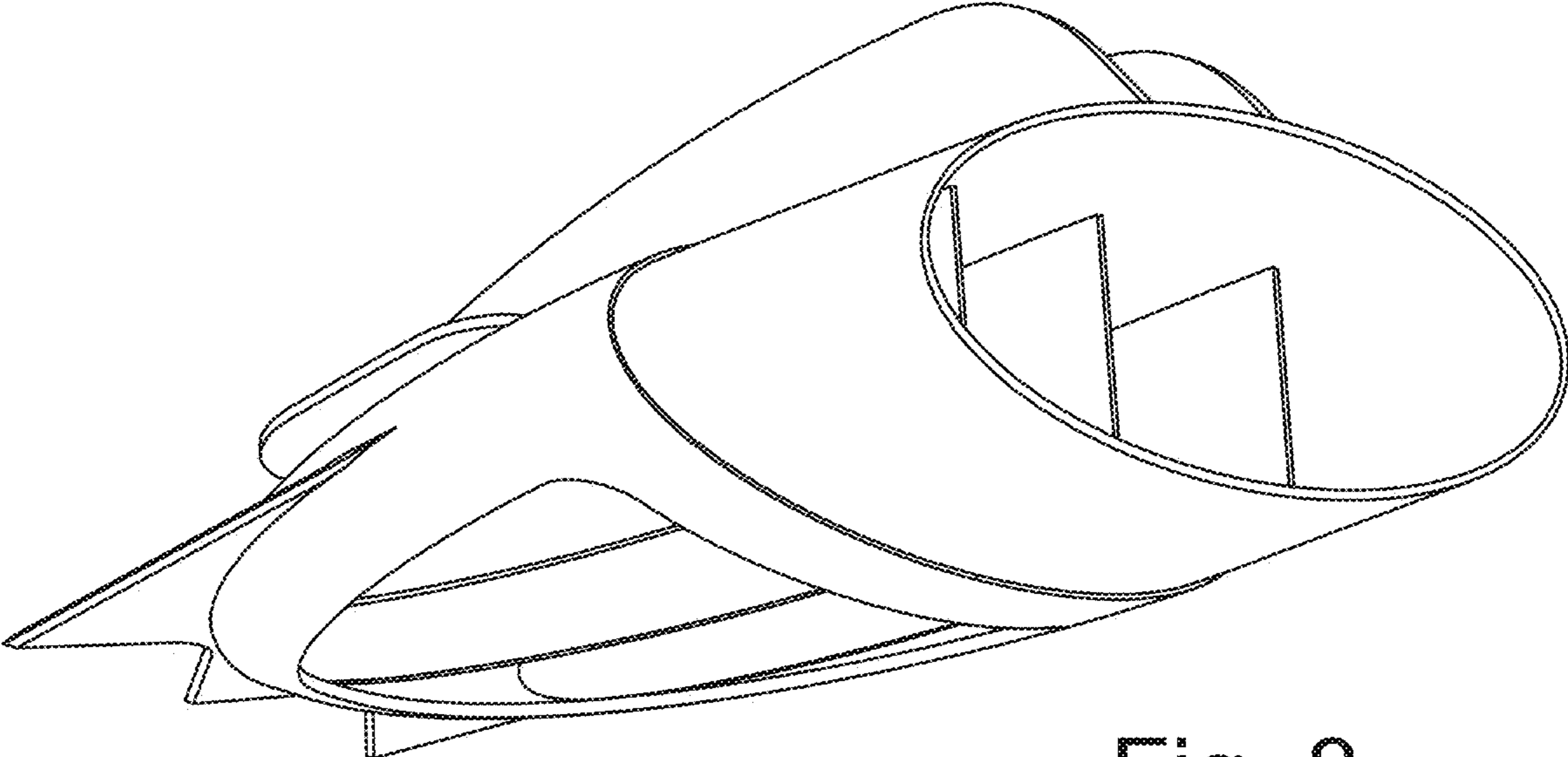


Fig. 8