



US00D987805S

(12) **United States Design Patent**  
**Durham**

(10) **Patent No.:** **US D987,805 S**

(45) **Date of Patent:** **\*\* May 30, 2023**

(54) **FILTER HOLDER**

(71) Applicant: **Christopher Durham**, Coomera (AU)

(72) Inventor: **Christopher Durham**, Coomera (AU)

(\*\*) Term: **15 Years**

(21) Appl. No.: **29/836,180**

(22) Filed: **Apr. 25, 2022**

**Related U.S. Application Data**

(63) Continuation-in-part of application No. 29/780,023, filed on Apr. 22, 2021.

(51) **LOC (14) Cl.** ..... **23-04**

(52) **U.S. Cl.**  
USPC ..... **D23/365**

(58) **Field of Classification Search**  
USPC ..... D7/667; D23/261, 317, 333, 334, 335, D23/351, 352, 353, 354, 355, 356, 357, D23/364, 365, 366, 370, 385, 395; D24/110, 162; D30/161  
CPC .... A01K 1/0114; A01K 1/0052; B01D 45/12; B01D 46/24; B01D 46/00; B01D 35/02; F25B 49/00; G01K 13/00  
See application file for complete search history.

(56) **References Cited**

**U.S. PATENT DOCUMENTS**

- 2,761,527 A \* 9/1956 Dreznes ..... F02M 35/024 55/495
- D218,310 S \* 8/1970 Rosenberg ..... D23/365
- D256,079 S \* 7/1980 Moncrief ..... D7/400
- D261,850 S \* 11/1981 Carfagno ..... D7/400
- D266,894 S \* 11/1982 Bersten ..... D7/400
- D274,462 S \* 6/1984 Rakocy ..... D23/365
- D314,616 S \* 2/1991 Pepper ..... D23/365
- D343,682 S \* 1/1994 Cattaoris ..... D24/162
- D464,721 S \* 10/2002 Rock ..... D23/365
- D613,461 S \* 4/2010 Troya ..... D30/118
- D731,634 S \* 6/2015 Page ..... D23/365

- D761,942 S \* 7/2016 Santos ..... D23/261
- D824,009 S \* 7/2018 Kim ..... D23/365
- D837,950 S \* 1/2019 Santos ..... D23/261

(Continued)

**FOREIGN PATENT DOCUMENTS**

- GB 1027811 \* 6/1986
- JP D1682491 \* 4/2021

**OTHER PUBLICATIONS**

Secret Litter Box Bundle & Bliss , available in Amazon.com, date first available Jul. 2, 2020 [online], [site visited Aug. 29, 2022], Available from the internet URL: <https://www.amazon.com/Bundle-Bliss-Secret-Litter-Box/dp/B08C8YHW13> (Year: 2020).\*

(Continued)

*Primary Examiner* — Amy C Wierenga  
*Assistant Examiner* — Kathryn Elizabeth Zieno

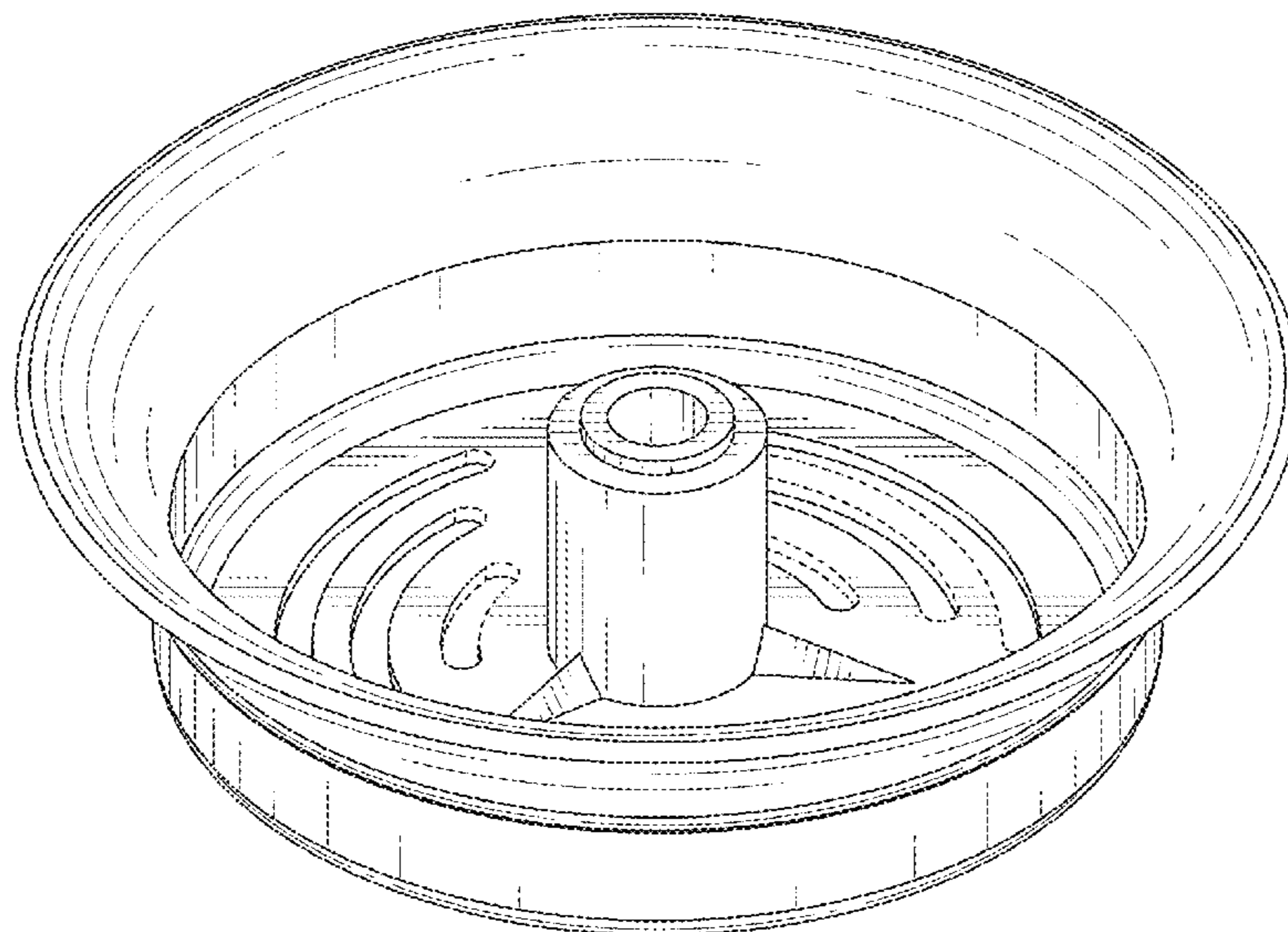
(57) **CLAIM**

The ornamental design for a filter holder, as shown and described.

**DESCRIPTION**

FIG. 1 is a top perspective view of a filter holder showing my new design;  
FIG. 2 is a bottom perspective view thereof;  
FIG. 3 is a front elevational view thereof, where the rear, left, right elevational views are identical thereto;  
FIG. 4 is a top plan view thereof;  
FIG. 5 is a bottom plan view thereof;  
FIG. 6 is a top view showing the filter holder in a position of use in its environment; and,  
FIG. 7 is another top perspective view of the filter holder shown in its environment.  
The broken lines shown in FIGS. 6-7 illustrate environment and form no part of the claimed design.

**1 Claim, 7 Drawing Sheets**



(56)

**References Cited**

U.S. PATENT DOCUMENTS

D854,138 S \* 7/2019 Pizzini ..... D23/366  
D929,681 S \* 8/2021 Durham ..... D30/161  
D949,288 S \* 4/2022 Wang ..... D23/209  
D967,350 S \* 10/2022 Erley ..... D23/261  
2005/0092667 A1\* 5/2005 Wade ..... E03B 3/02  
210/163  
2009/0308257 A1\* 12/2009 Hiron ..... A47J 31/0678  
99/295  
2016/0152113 A1\* 6/2016 Kim ..... B60H 1/00028  
454/158  
2019/0070532 A1\* 3/2019 Thoms ..... B01D 29/03  
2019/0343066 A1\* 11/2019 Fan ..... A01K 1/0114

OTHER PUBLICATIONS

Bundle & Bliss Secret Litter Box, available in Amazon.com, date first available Jul. 4, 2019 [online], [site visited Aug. 29, 2022], Available from the internet URL: <https://www.amazon.com/Bundle-Bliss-Secret-Litter-Box/dp/B07TXMWPW2> (Year: 2019).\*

\* cited by examiner

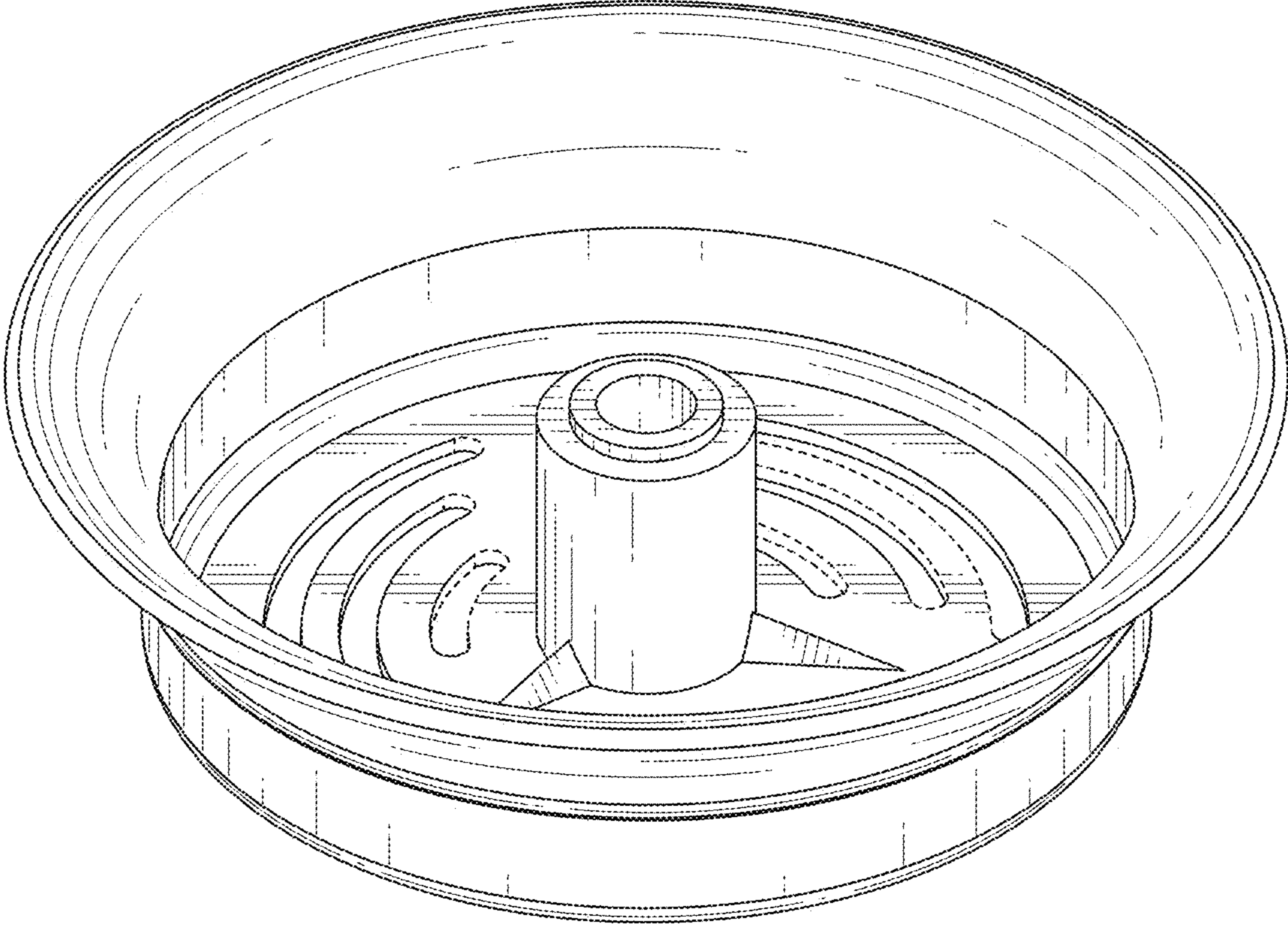


FIG. 1

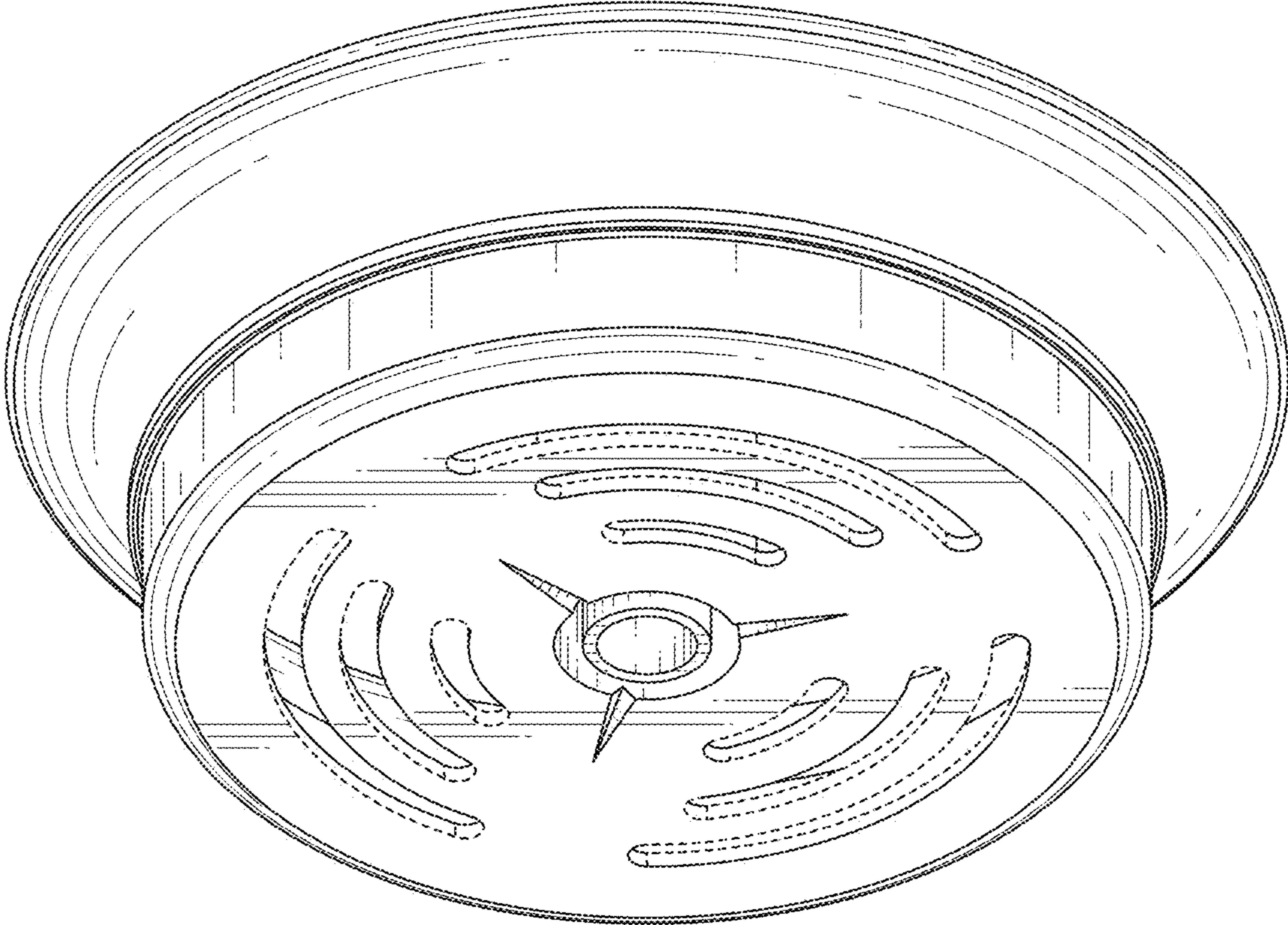


FIG. 2

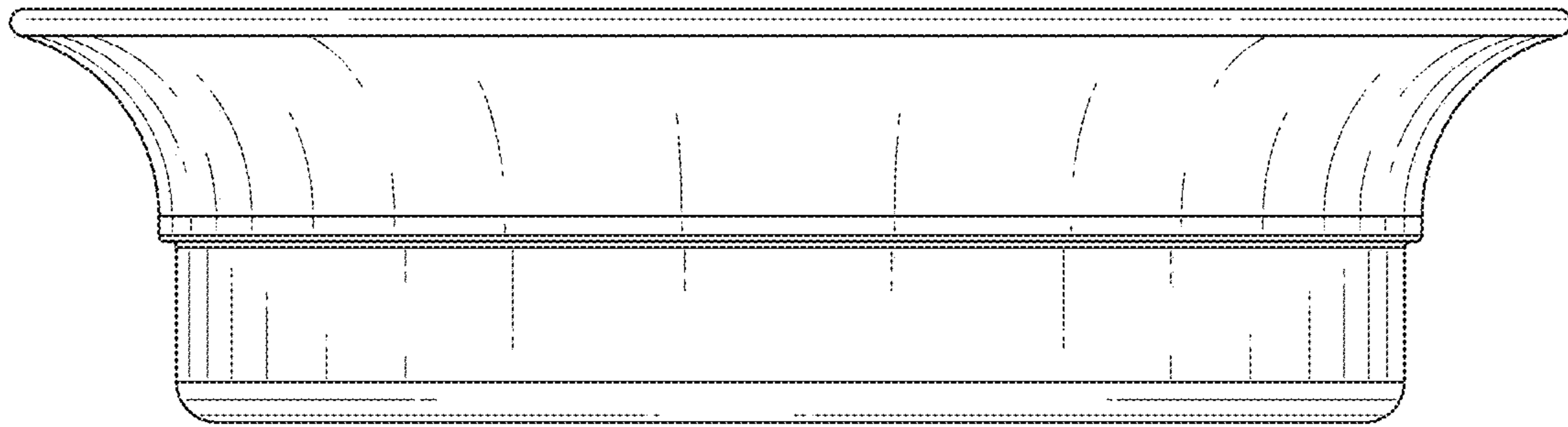


FIG. 3



FIG. 4

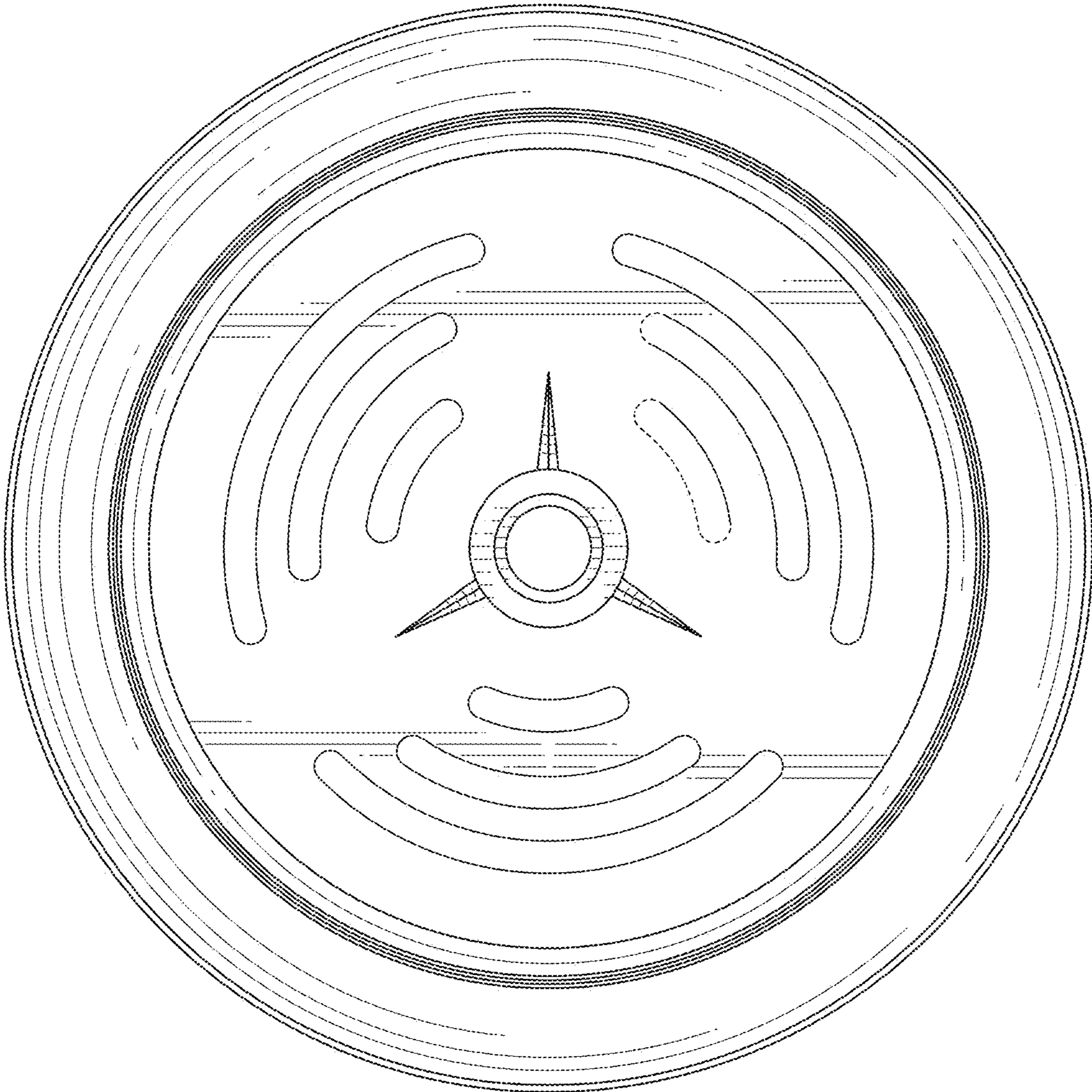


FIG. 5

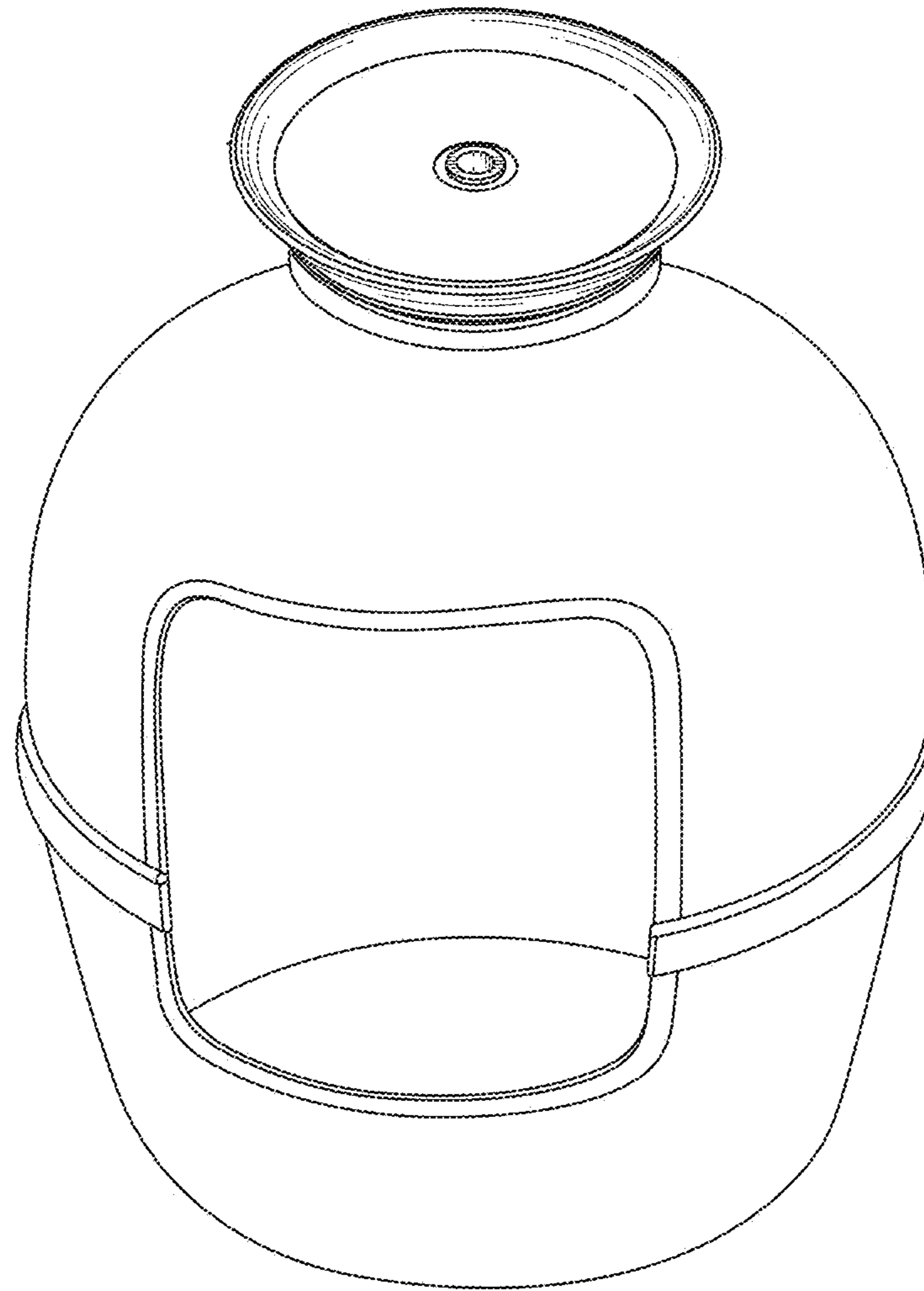


FIG. 6



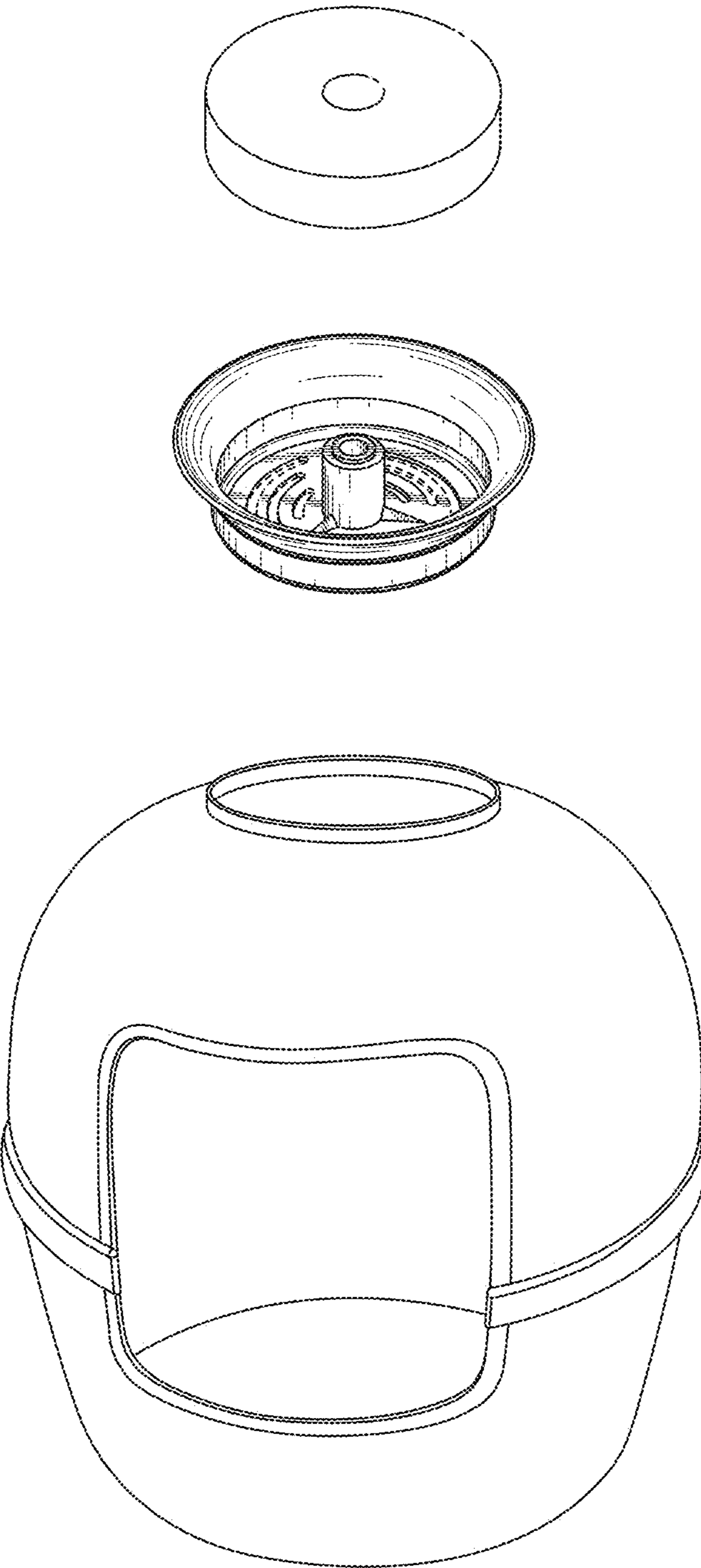


FIG. 7