



US00D987798S

(12) **United States Design Patent**
Yang

(10) **Patent No.:** **US D987,798 S**

(45) **Date of Patent:** **** May 30, 2023**

(54) **AIR PURIFIER**

D980,400 S * 3/2023 Wang D23/364
D980,960 S * 3/2023 Sanabria D23/364
D981,544 S * 3/2023 Kim D23/364

(71) Applicant: **SHENZHEN ANTOP TECHNOLOGY CO., LTD**, Shenzhen (CN)

* cited by examiner

(72) Inventor: **Ruidian Yang**, Shenzhen (CN)

Primary Examiner — David G Muller

(73) Assignee: **SHENZHEN ANTOP TECHNOLOGY CO., LTD**, Shenzhen (CN)

(74) *Attorney, Agent, or Firm* — Avek IP, LLC; Kent R. Erickson

(**) Term: **15 Years**

(57) **CLAIM**

(21) Appl. No.: **29/789,968**

The ornamental design for an air purifier, as shown and described.

(22) Filed: **Oct. 27, 2021**

(30) **Foreign Application Priority Data**

Sep. 6, 2021 (CN) 202130586157.8

DESCRIPTION

(51) **LOC (14) Cl.** **23-04**

(52) **U.S. Cl.**
USPC **D23/364**

(58) **Field of Classification Search**
USPC D23/355–366, 352, 369, 332, 333, 335, D23/336, 342, 351
CPC .. A61L 9/16; A61L 9/22; B01D 47/00; B01D 47/027; B01D 2221/02; B01D 2259/4508; B03C 3/155; B03C 3/368; F24F 3/16; F24F 13/20; F24F 13/28
See application file for complete search history.

FIG. 1 is a top perspective view of an air purifier of the present disclosure;
FIG. 2 is a bottom perspective view thereof;
FIG. 3 is a front elevational view thereof;
FIG. 4 is a rear elevational view thereof;
FIG. 5 is a left-side elevational thereof;
FIG. 6 is a right-side elevational thereof;
FIG. 7 is a top plan view thereof; and,
FIG. 8 is a bottom plan view thereof.

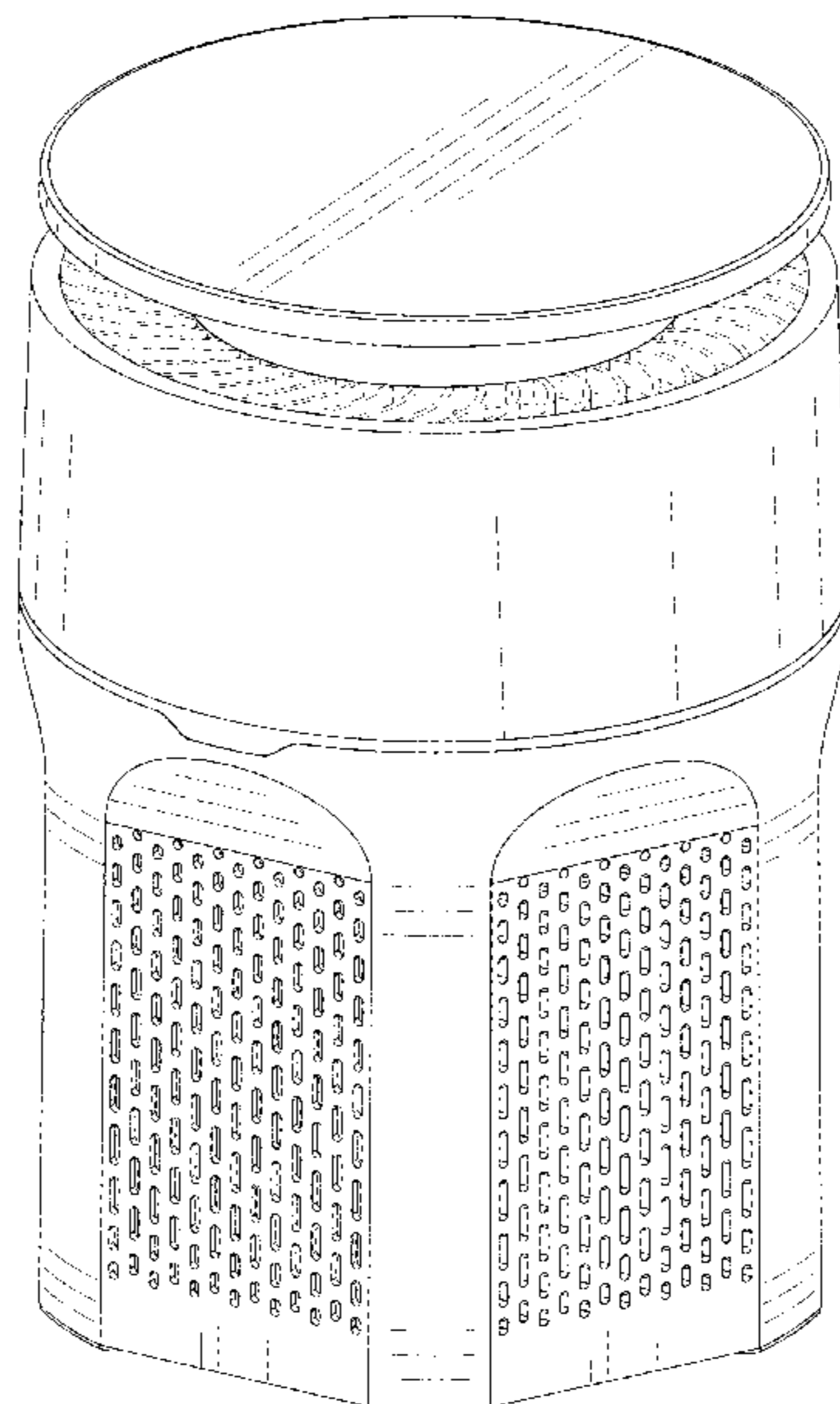
(56) **References Cited**

U.S. PATENT DOCUMENTS

D978,310 S * 2/2023 Luo D23/356
D979,023 S * 2/2023 Loibl D23/335
D979,030 S * 2/2023 Tian D23/364
D979,728 S * 2/2023 Luo D23/356
D979,729 S * 2/2023 Yu D23/364

The broken lines shown in FIGS. 2 and 8 of the drawings represent portions of the air purifier and form no part of the claimed design.

1 Claim, 8 Drawing Sheets



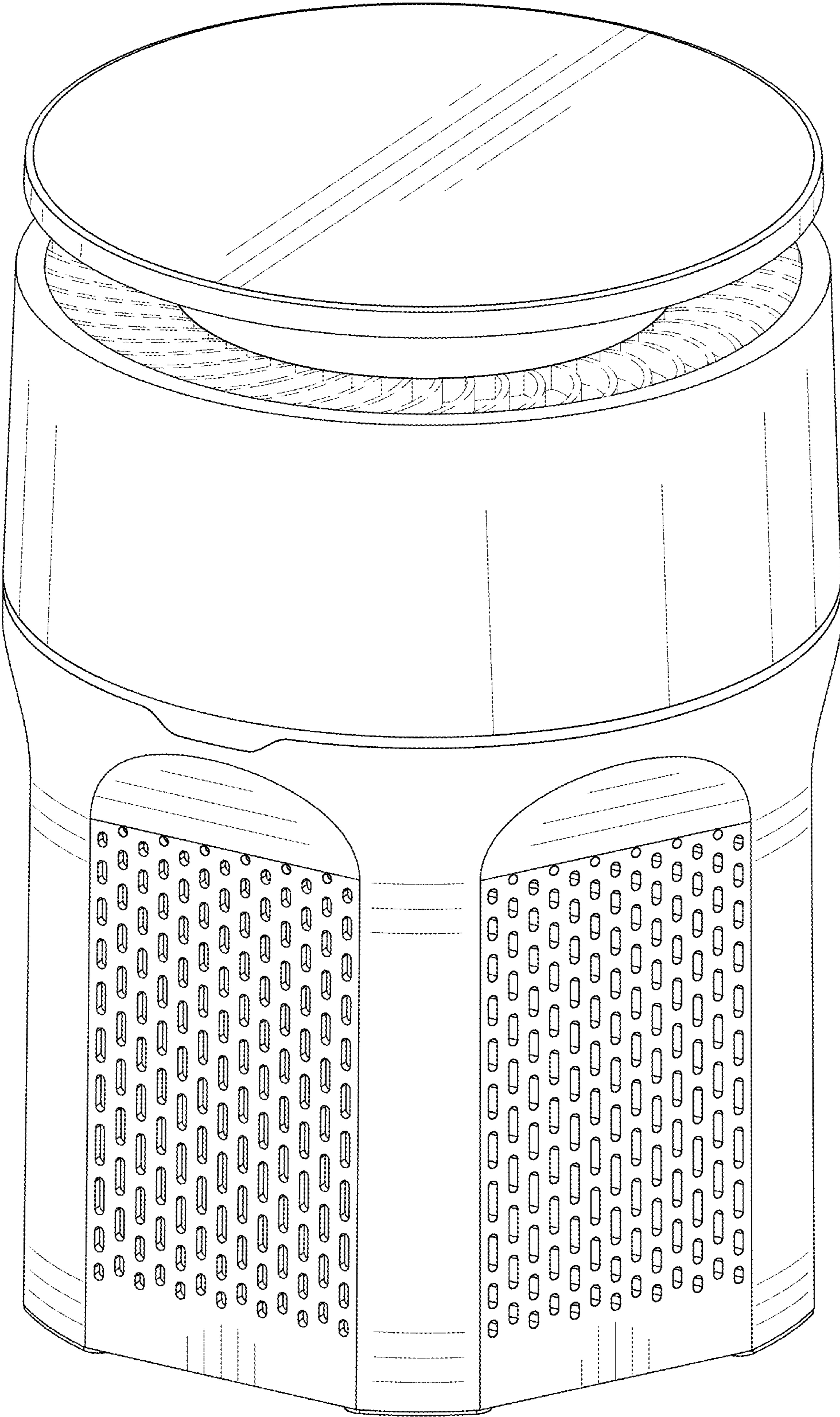


FIG. 1

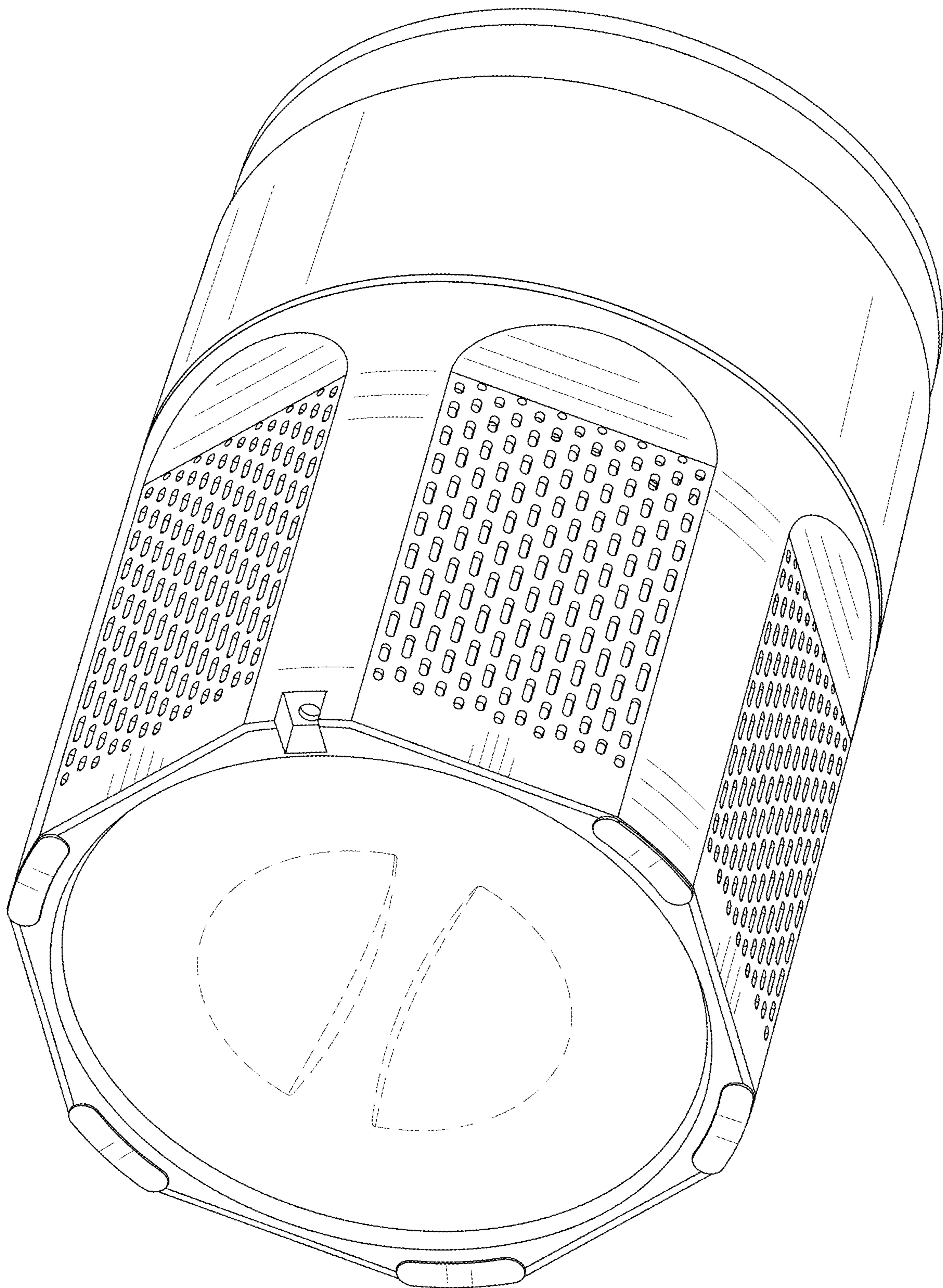


FIG. 2

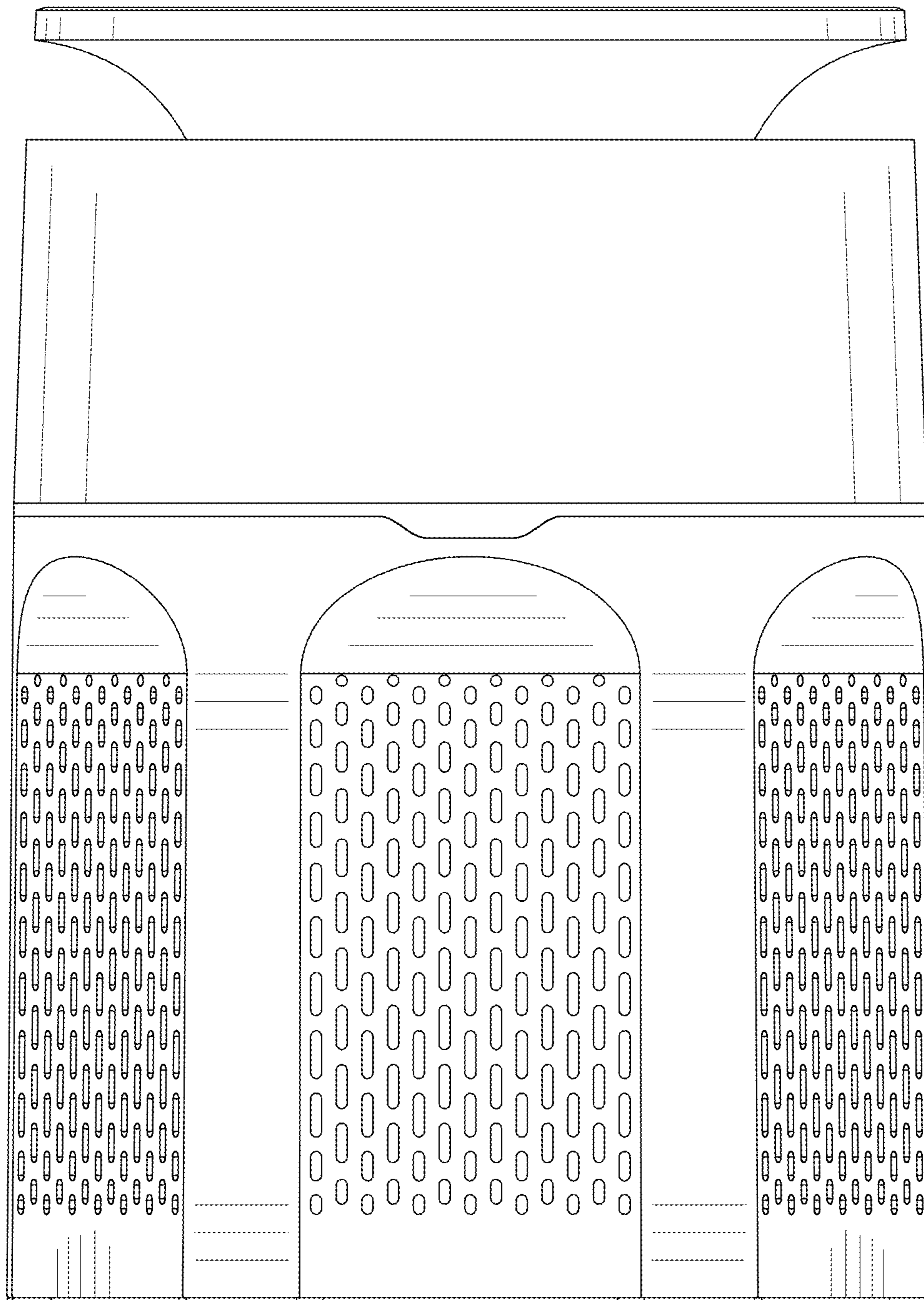


FIG. 3

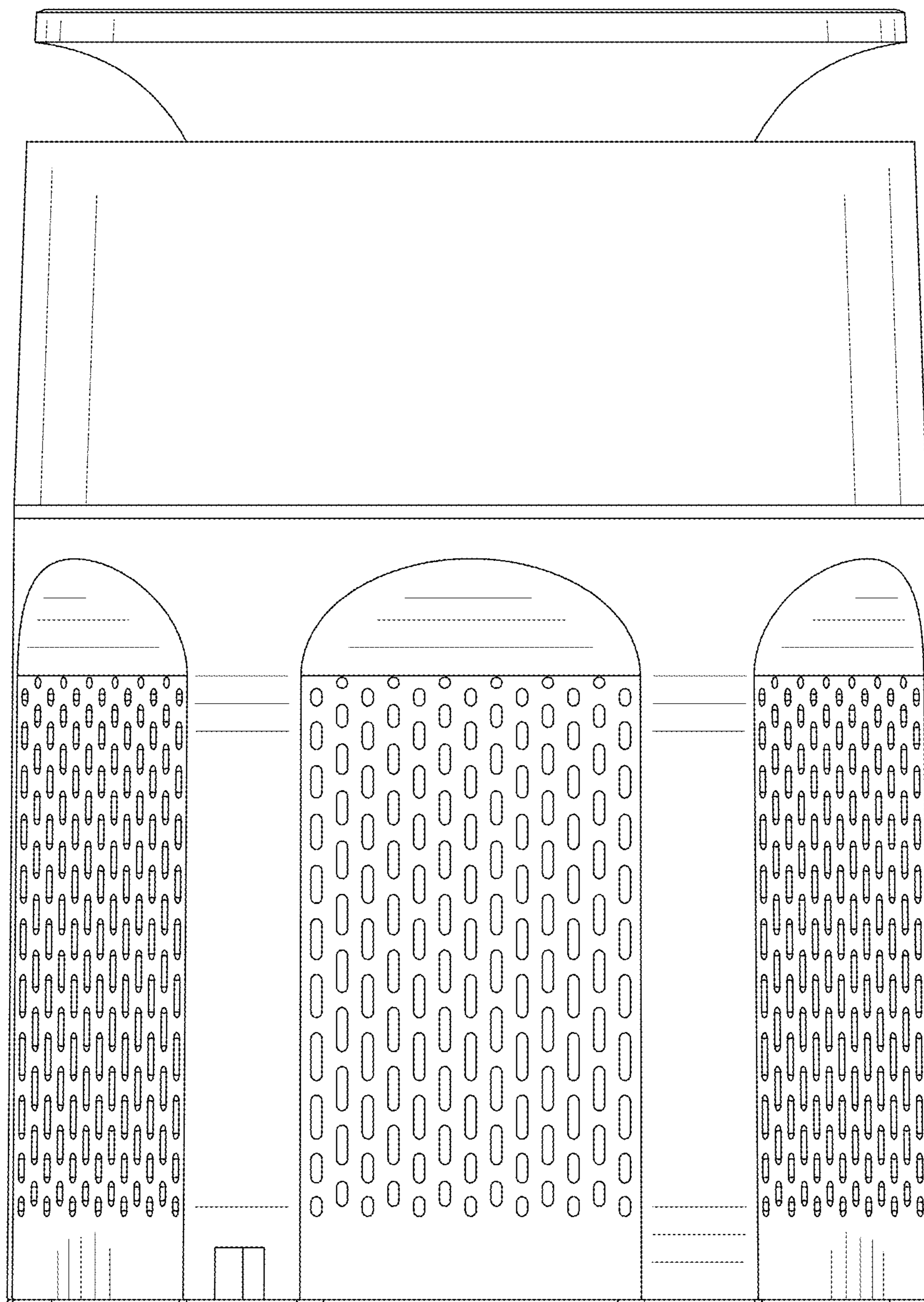


FIG. 4

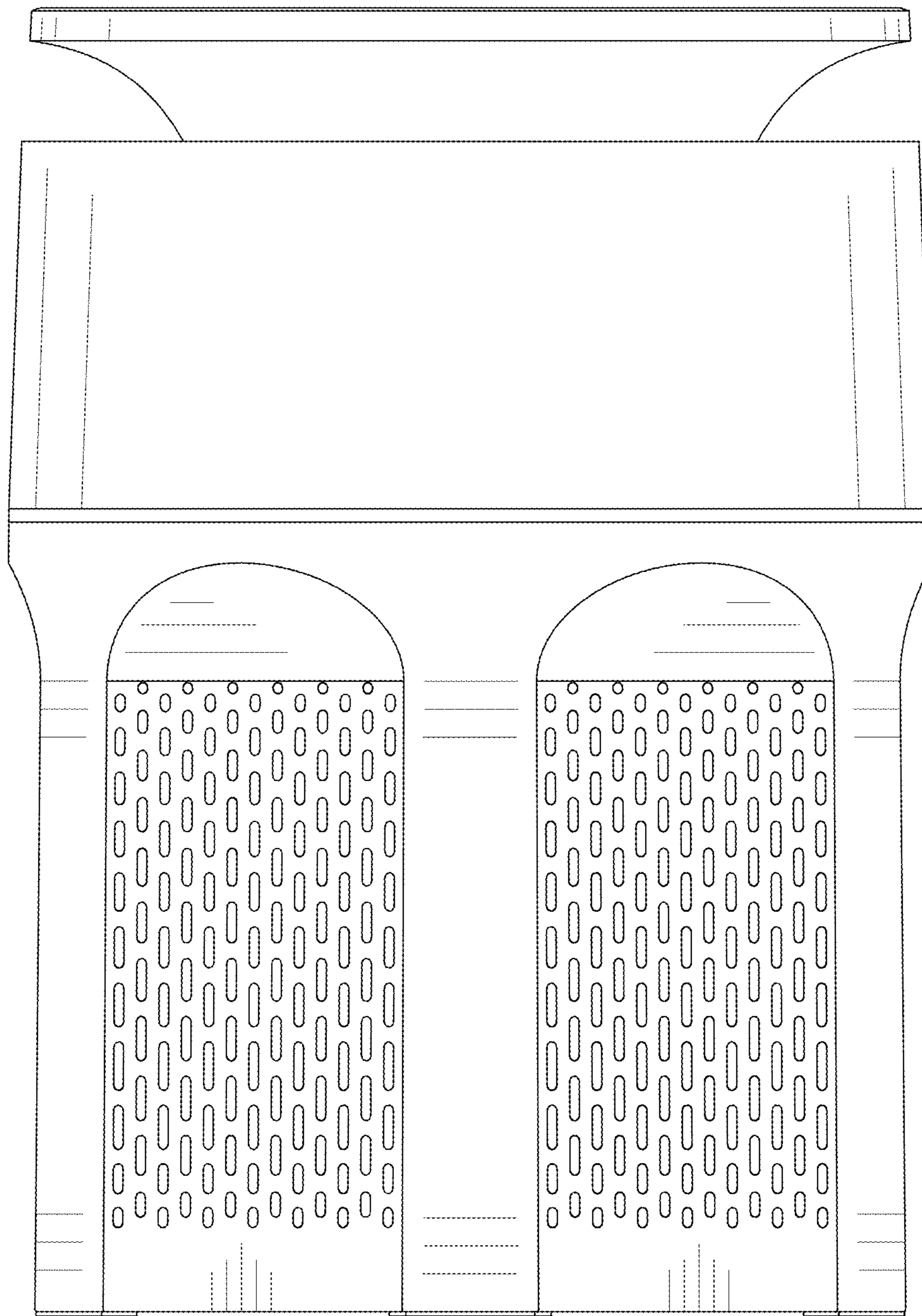


FIG. 5

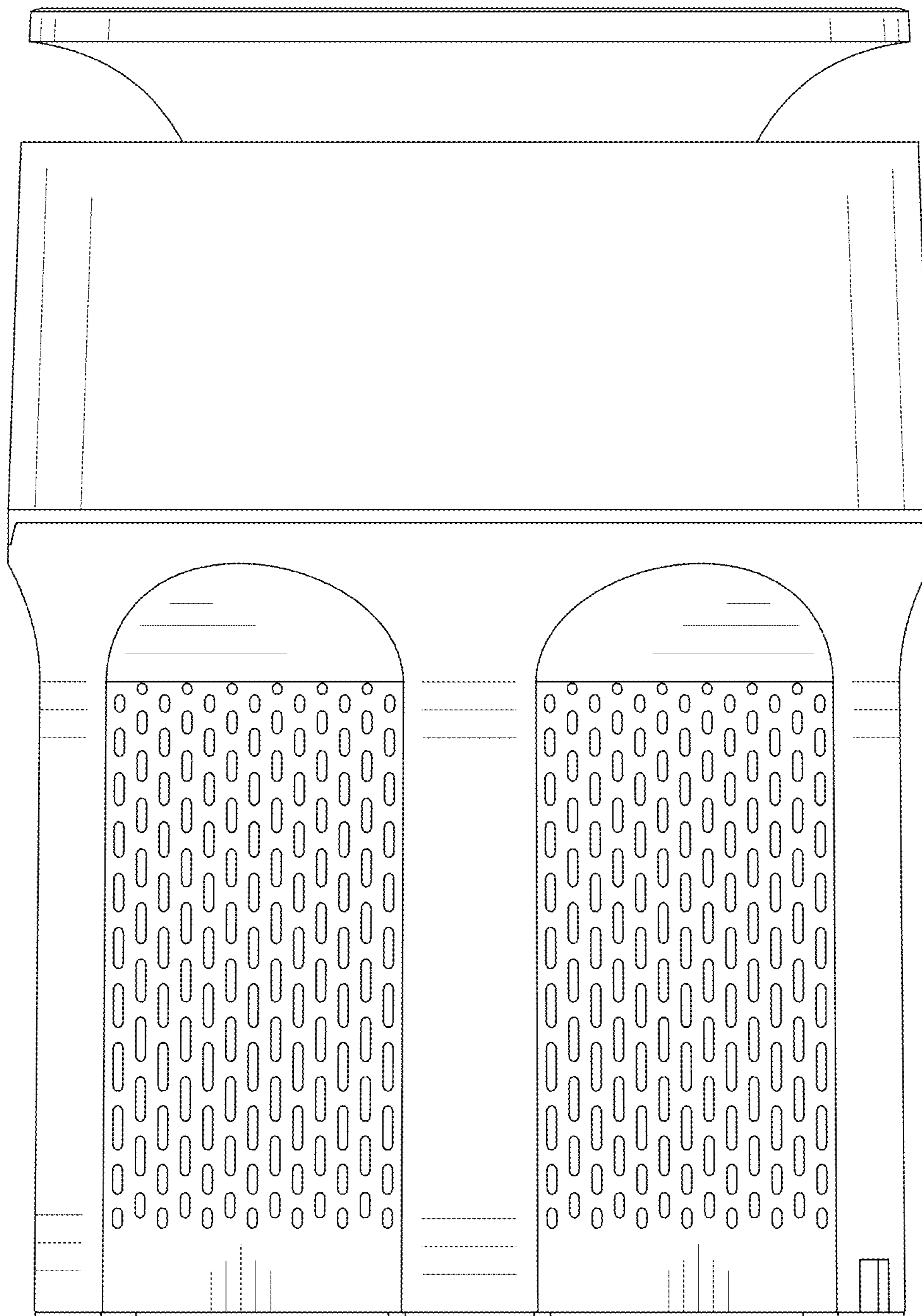


FIG. 6

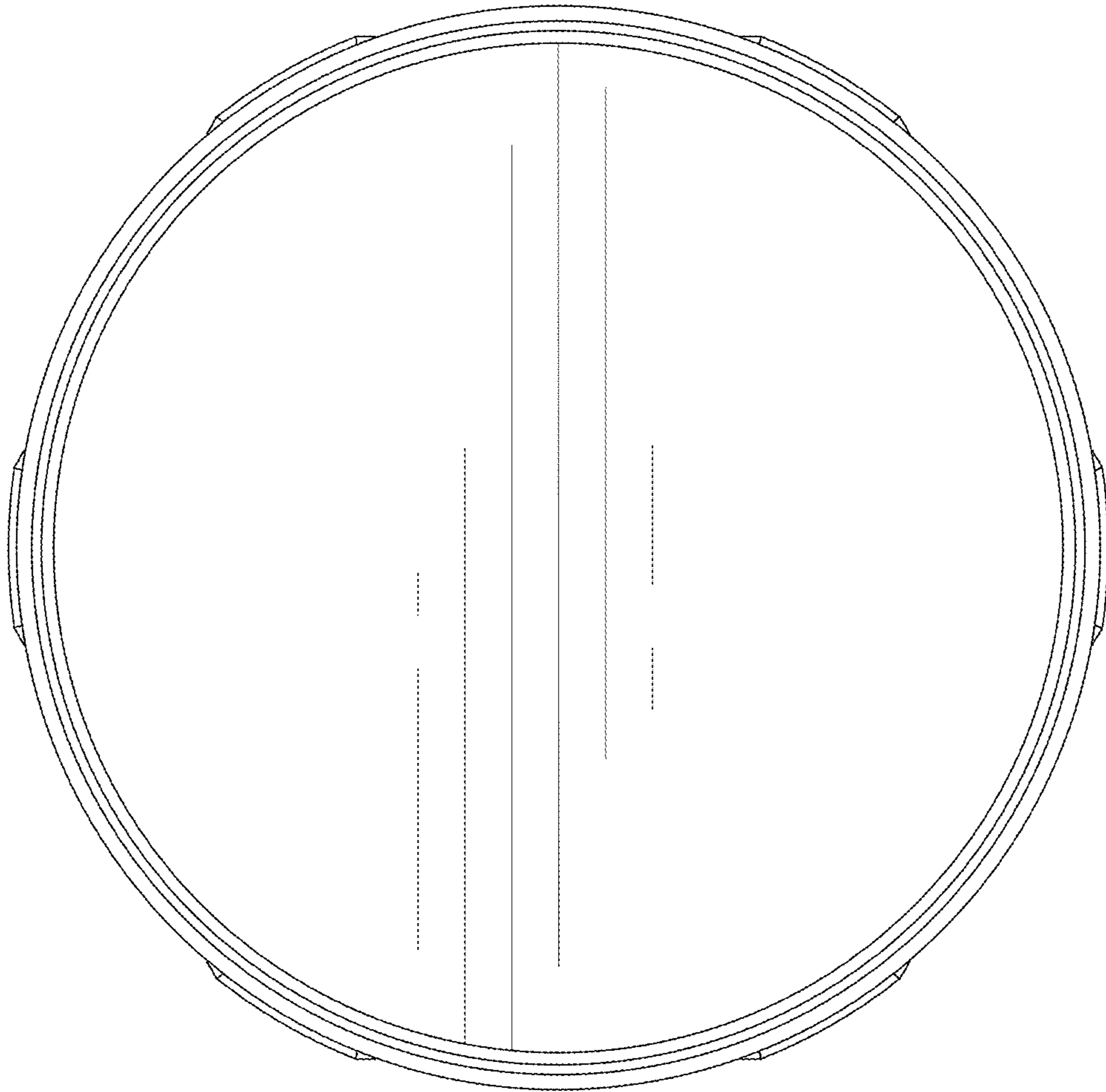


FIG. 7

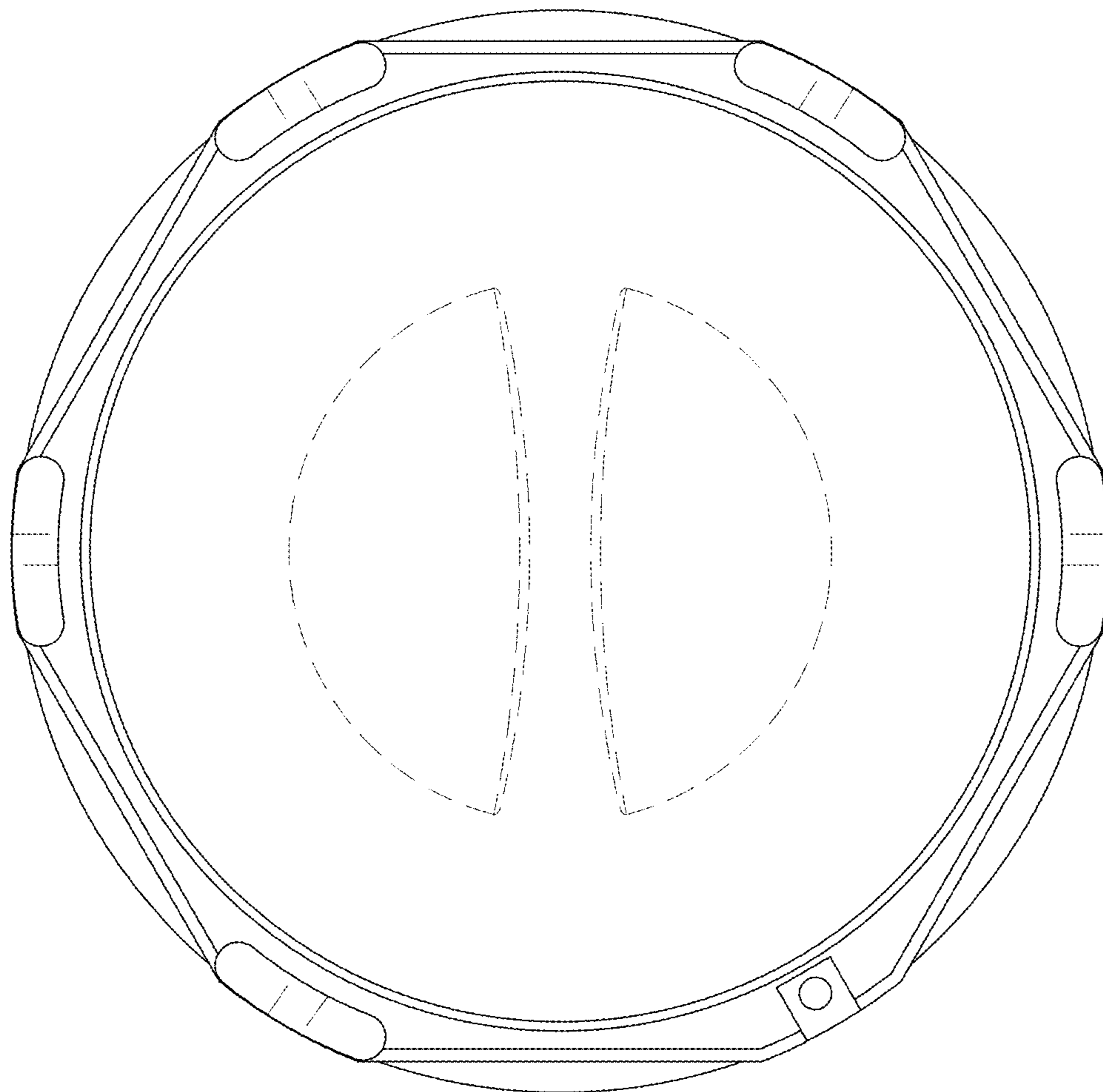


FIG. 8