



US00D987797S

(12) **United States Design Patent** (10) **Patent No.:** **US D987,797 S**
Xu et al. (45) **Date of Patent:** **** May 30, 2023**

(54) **DESKTOP AIR DISINFECTOR**
(71) Applicant: **HANGZHOU XINCHANG TECHNOLOGY CO., LTD.,**
Hangzhou (CN)
(72) Inventors: **Keli Xu,** Hangzhou (CN); **Renxia Shi,**
Hangzhou (CN)
(73) Assignee: **HANGZHOU XINCHANG TECHNOLOGY CO., LTD.,**
Hangzhou (CN)

(**) Term: **15 Years**
(21) Appl. No.: **29/758,520**
(22) Filed: **Nov. 16, 2020**

(30) **Foreign Application Priority Data**
May 29, 2020 (CN) 202030260864.3
(51) **LOC (14) Cl.** **23-04**
(52) **U.S. Cl.**
USPC **D23/364**
(58) **Field of Classification Search**
USPC D23/356, 359, 364-365, 378, 499;
D14/204, 214, 240, 314, 496
CPC F24F 1/029; F24F 1/035; F24F 1/0287;
F24F 6/06; F24F 6/14; F24F 13/06; F24F
13/20; F24F 13/222; F24F 3/16; F24F
3/1405; F24F 3/1603; B05B 17/06
See application file for complete search history.

(56) **References Cited**
U.S. PATENT DOCUMENTS
D258,759 S * 3/1981 Johnson D23/366
D291,350 S * 8/1987 Sherman D23/335
D725,624 S * 3/2015 Carney D14/149
D728,089 S * 4/2015 Crisa' D23/366
D754,102 S * 4/2016 Sun D14/214

D820,319 S * 6/2018 Mullins D14/203.3
D827,115 S * 8/2018 Petersen D23/333
D848,593 S * 5/2019 Exley D23/351
D850,593 S * 6/2019 Petersen D23/333
D878,532 S * 3/2020 Shin D23/364
D942,602 S * 2/2022 Yu D23/356
2020/0398207 A1 * 12/2020 Park B01D 46/0028
(Continued)

FOREIGN PATENT DOCUMENTS

CN 303913449 * 11/2016

OTHER PUBLICATIONS

Everlasting Comfort Cool Mist Humidifier, first available Oct. 1, 2020[online], [site visited Feb. 10, 2022]. Available from internet, URL:<<https://www.amazon.ca/dp/B08431MG7M>> (Year: 2020).*
(Continued)

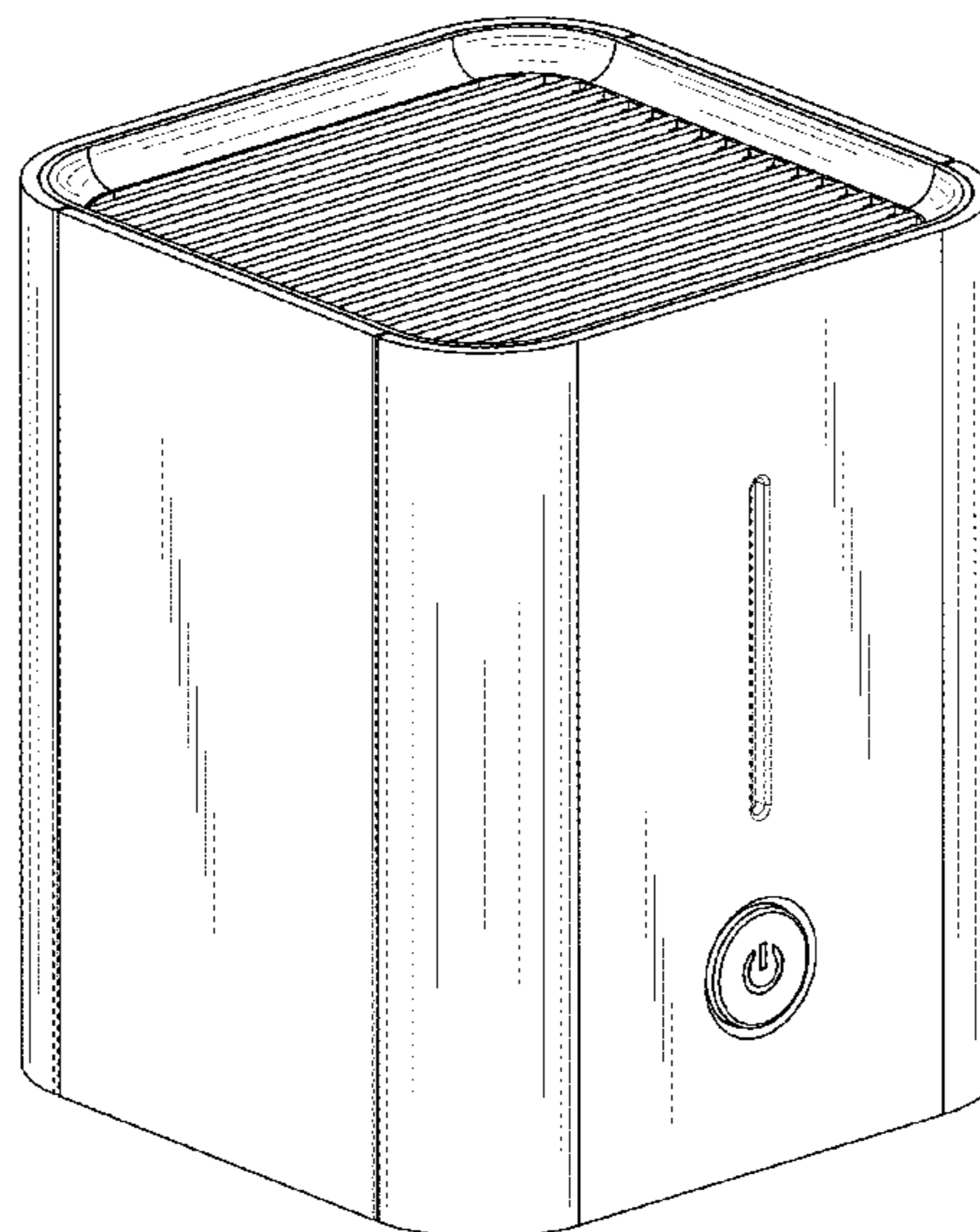
Primary Examiner — Barbara Fox
Assistant Examiner — Jamaal Rasheed
(74) *Attorney, Agent, or Firm* — Jiwen Chen; Joywin IP Law PLLC

(57) **CLAIM**
The ornamental design for a desktop air disinfecter, as shown and described.

DESCRIPTION

FIG. 1 is a perspective view of a desktop air disinfecter showing the design;
FIG. 2 is a top plan view thereof;
FIG. 3 is a bottom plan view thereof;
FIG. 4 is a front elevational view thereof;
FIG. 5 is a rear elevational view thereof;
FIG. 6 is a left side view thereof; and,
FIG. 7 is a right side view thereof.
The broken lines depict portions of the desktop air disinfecter that form no part of the claimed design.

1 Claim, 7 Drawing Sheets



(56)

References Cited

U.S. PATENT DOCUMENTS

2021/0325063 A1* 10/2021 Park F24F 13/28

OTHER PUBLICATIONS

Medify MA-14 Air Purifier , first available Jul. 24, 2019[online],
[site visited Feb. 10, 2022]. Available from internet, URL:<<https://www.amazon.ca/dp/B07TMMCRGL?th=1>> (Year: 2019).*

* cited by examiner

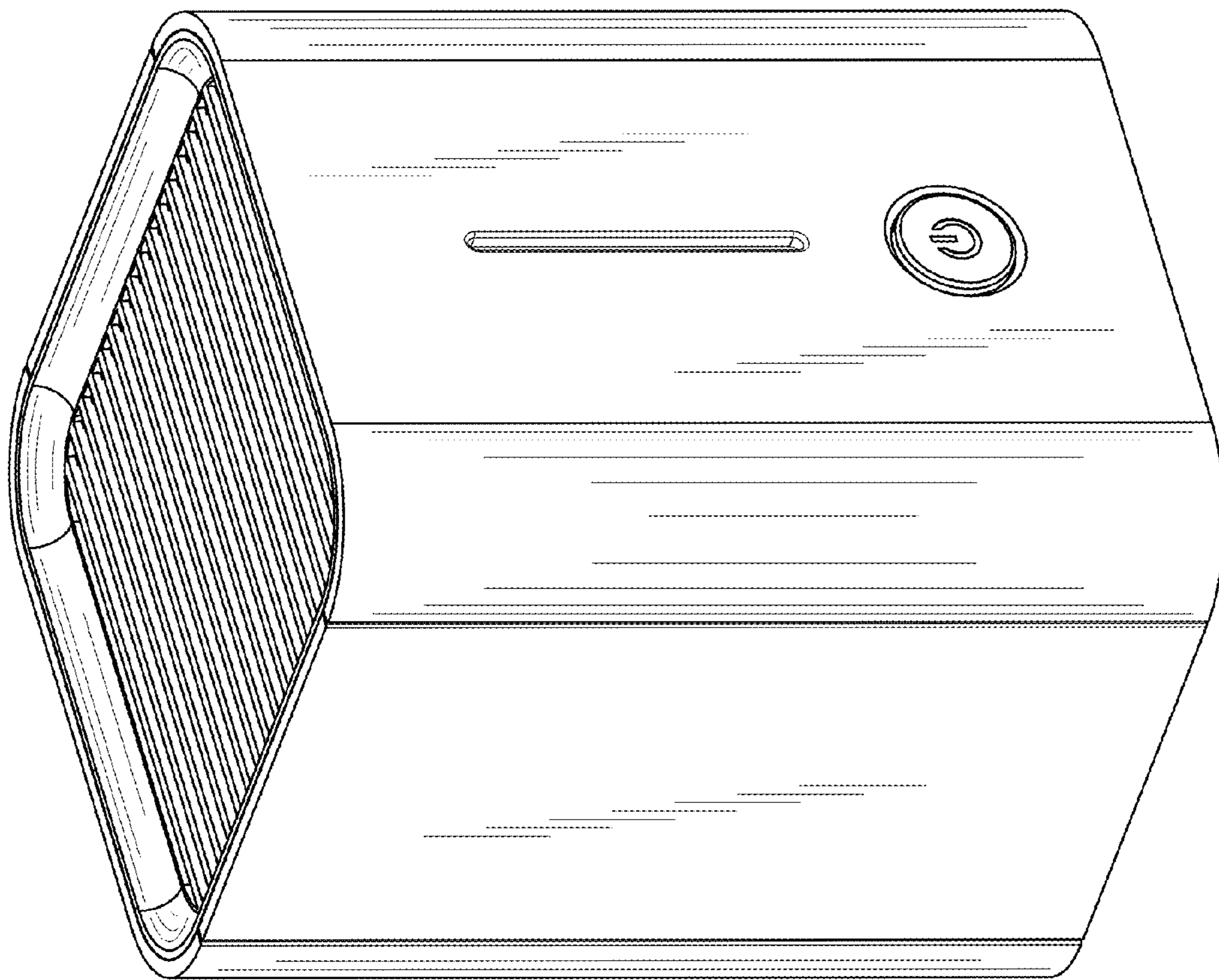


FIG. 1

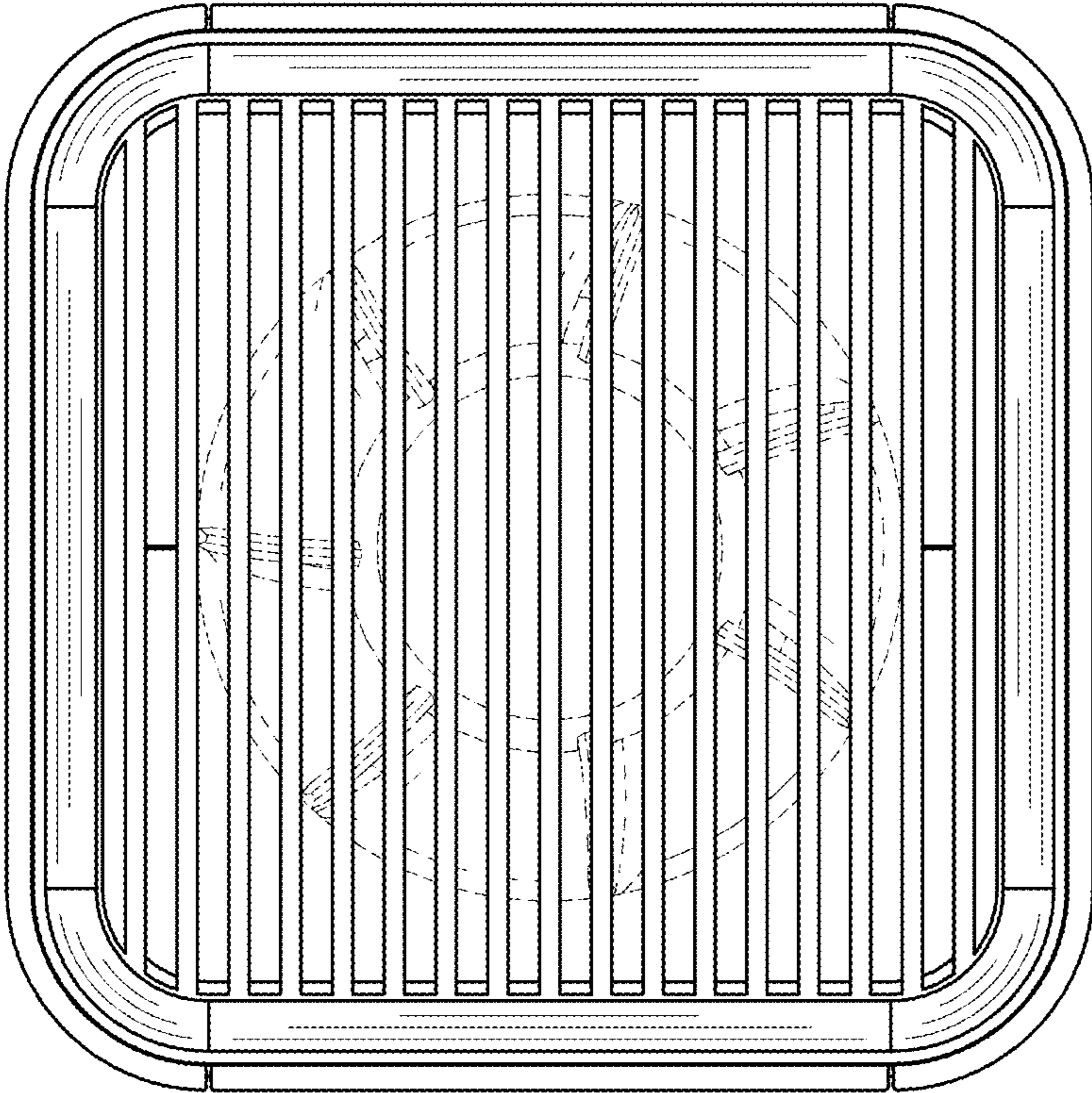


FIG. 2

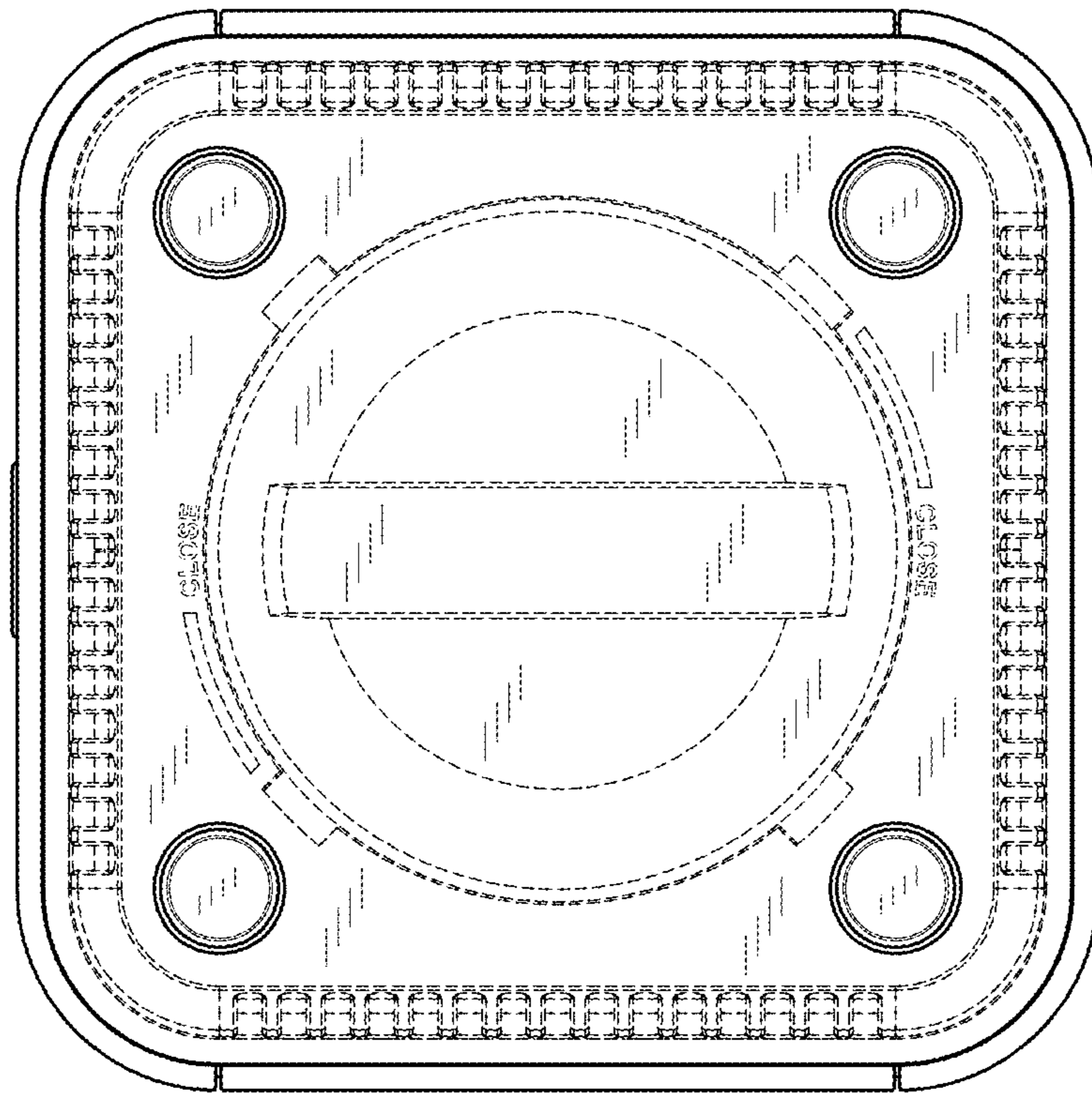


FIG. 3

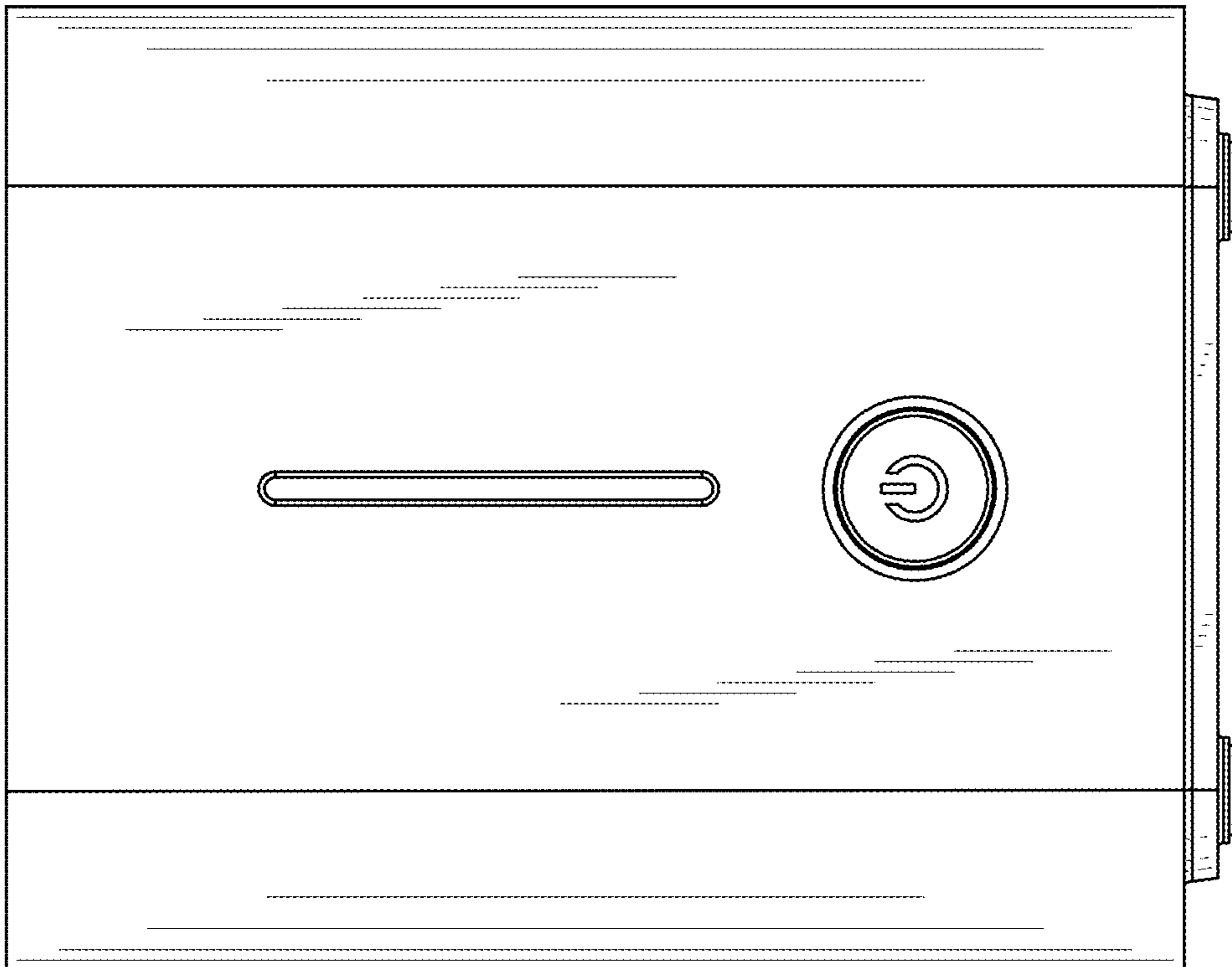


FIG. 4

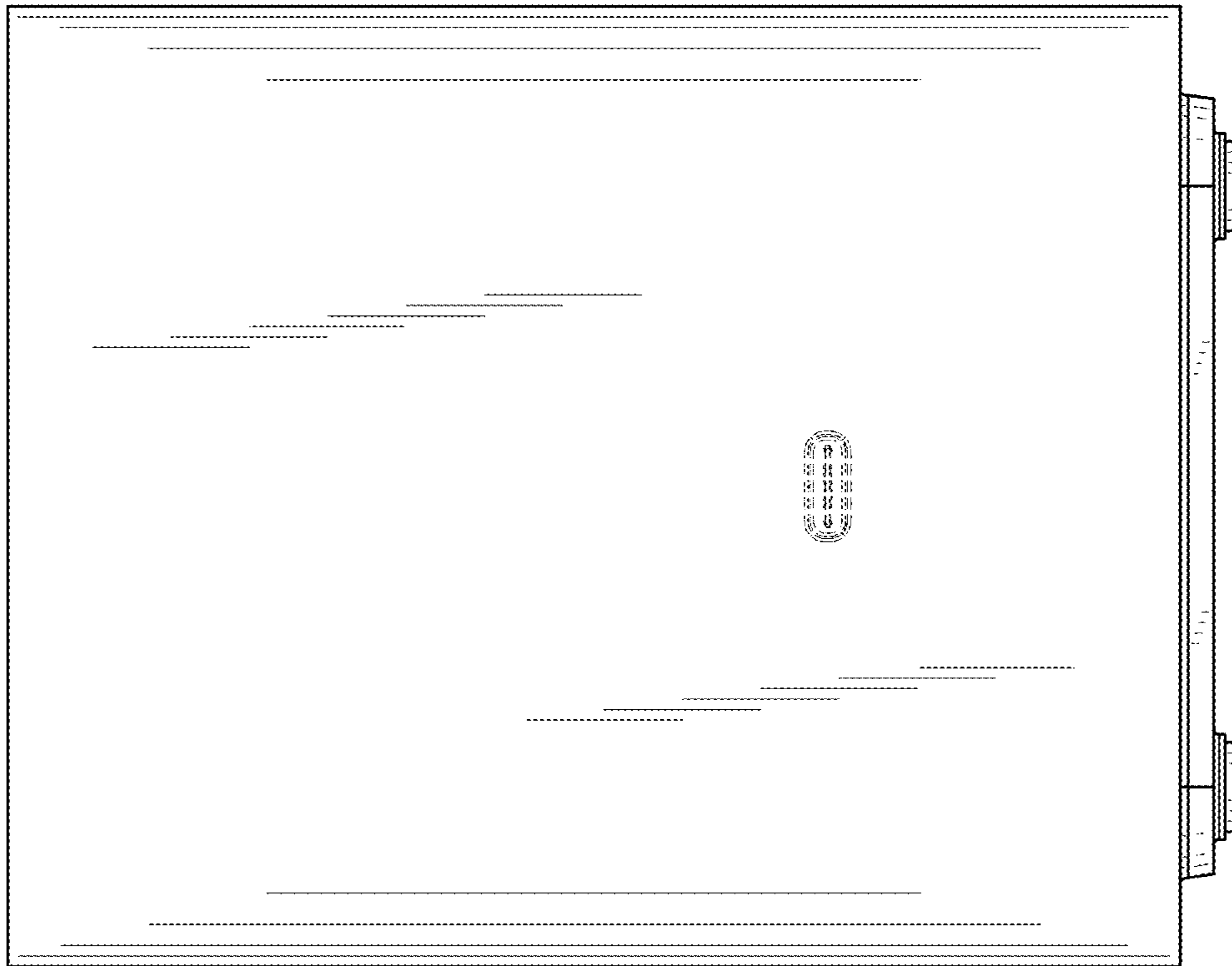


FIG. 5

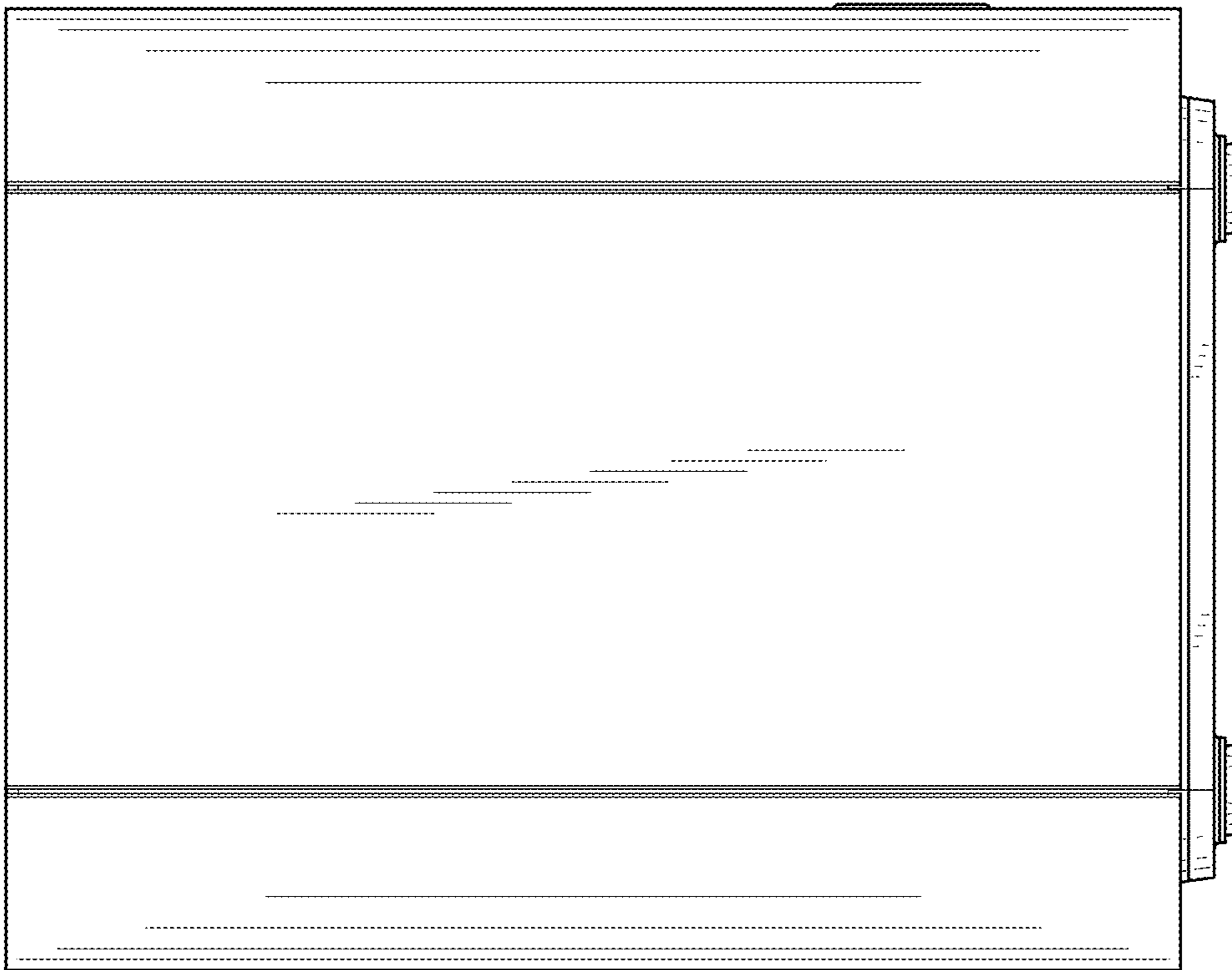


FIG. 6

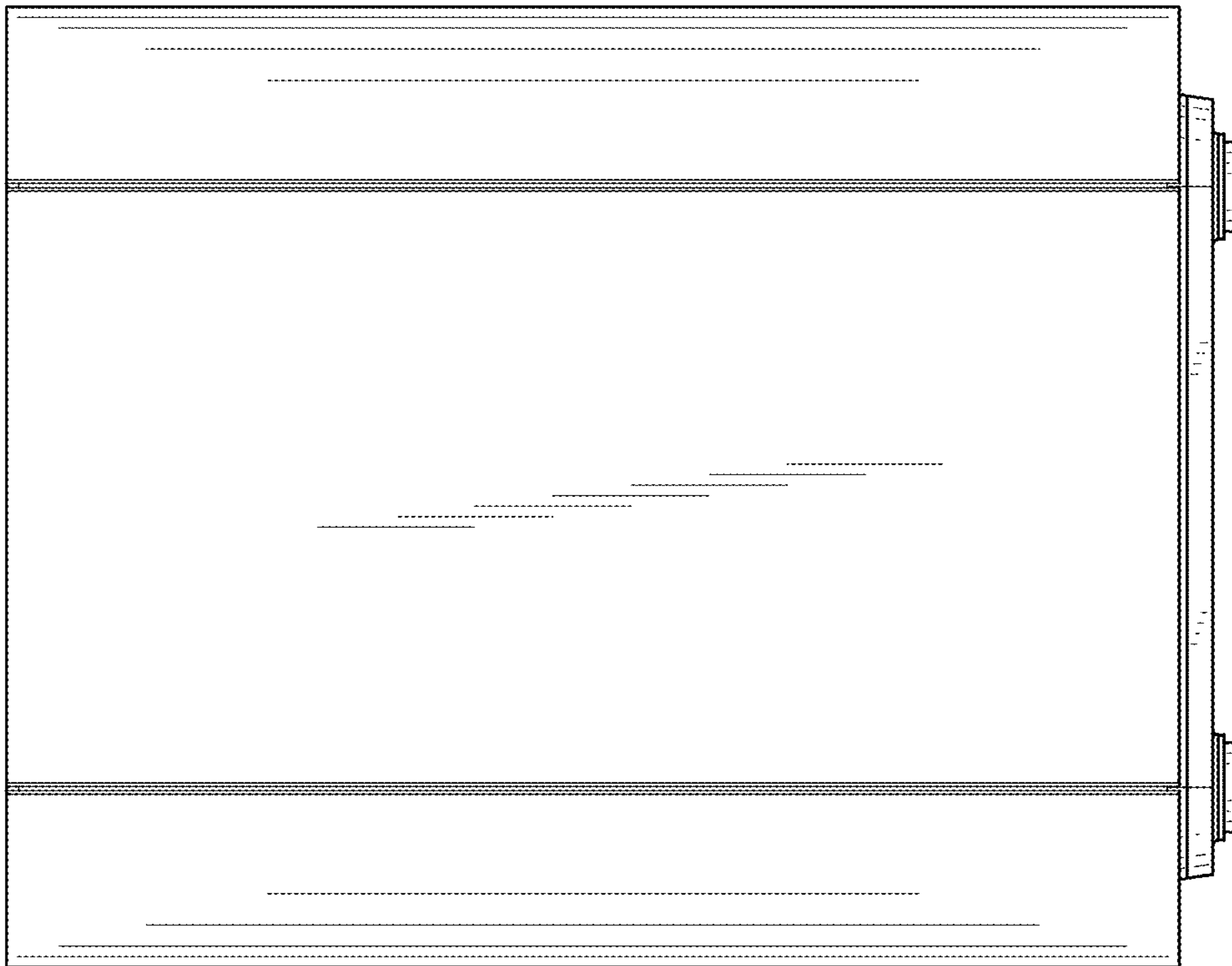


FIG. 7