



US00D987796S

(12) **United States Design Patent**
Jo et al.

(10) **Patent No.:** **US D987,796 S**
(45) **Date of Patent:** **** May 30, 2023**

(54) **COVER FOR AIR PURIFIER**
(71) Applicant: **SAMSUNG ELECTRONICS CO., LTD.**, Suwon-si (KR)

D865,145 S * 10/2019 Yoo D23/333
D927,658 S * 8/2021 Fu D23/332
D943,726 S * 2/2022 Li D23/364
D948,693 S * 4/2022 Li D23/364

(Continued)

(72) Inventors: **Cheol-Yeon Jo**, Suwon-si (KR);
Min-Kyung Choi, Suwon-si (KR);
Sang-In Lee, Suwon-si (KR); **Yea-Seul You**, Suwon-si (KR)

FOREIGN PATENT DOCUMENTS

CN 304105981 S 4/2017
EM 000990163-0001 8/2008

(Continued)

(73) Assignee: **SAMSUNG ELECTRONICS CO., LTD.**, Gyeonggi-Do (KR)

Primary Examiner — David G Muller
Assistant Examiner — Jamaal Rasheed

(**) Term: **15 Years**

(74) *Attorney, Agent, or Firm* — Cantor Colburn LLP

(21) Appl. No.: **29/743,353**

(57) **CLAIM**

(22) Filed: **Jul. 21, 2020**

The ornamental design for a cover for air purifier, as shown and described.

(30) **Foreign Application Priority Data**

DESCRIPTION

Apr. 2, 2020 (KR) 30-2020-0014655

(51) **LOC (14) Cl.** **23-04**

(52) **U.S. Cl.**
USPC **D23/364**

(58) **Field of Classification Search**
USPC D23/332, 336, 351, 355-356, 359,
D23/364-366, 378, 499; D14/204, 225,
D14/214, 240, 314, 496
CPC F24F 1/029; F24F 1/035; F24F 1/0287;
F24F 6/06; F24F 6/14; F24F 13/06; F24F
13/20; F24F 13/222; F24F 3/16; F24F
3/1405
See application file for complete search history.

FIG. 1 is a front perspective view of a cover for air purifier, showing our new design;
FIG. 2 is a front view thereof;
FIG. 3 is a rear view thereof;
FIG. 4 is a left-side view thereof;
FIG. 5 is a right-side view thereof;
FIG. 6 is a top view thereof;
FIG. 7 is a bottom view thereof;
FIG. 8 is an enlarged view of the encircled portion 8 in FIG. 1; and,
FIG. 9 is a cross-sectional view thereof, taken along line 9-9' of FIG. 6.

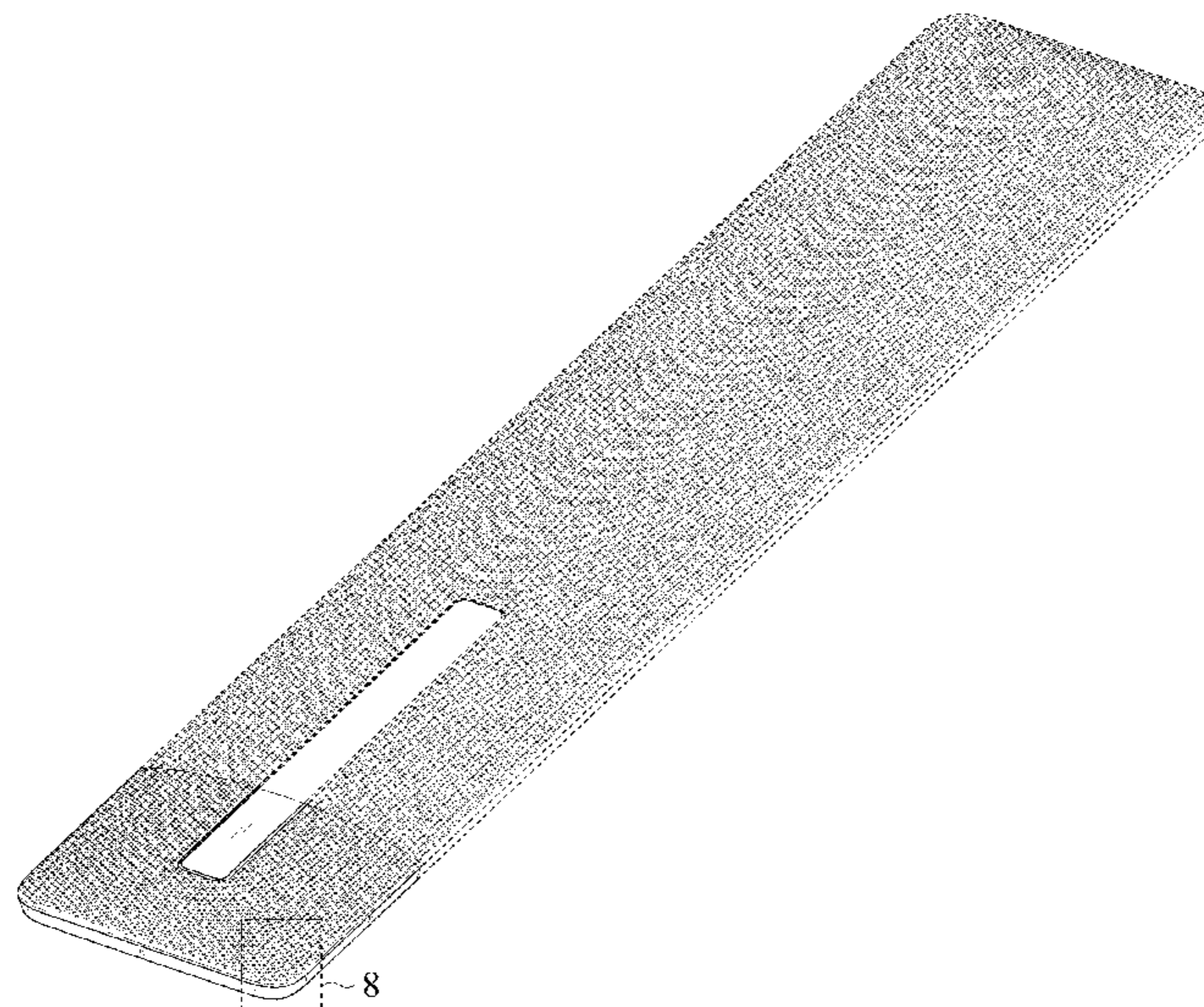
(56) **References Cited**

U.S. PATENT DOCUMENTS

D657,857 S * 4/2012 Choi D23/364
D719,251 S * 12/2014 Farone D23/364
D751,184 S * 3/2016 Farone D23/364
D802,739 S * 11/2017 Kim D23/378
D865,144 S * 10/2019 Yoo D23/333

The even-dash broken lines illustrating portions of the cover for air purifier form no part of the claimed design.
The dot-dash broken lines define the boundary of the cover for air purifier and form no part thereof.
The dot-dash broken lines encircling enlargement portions of the cover for air purifier form no part of the claimed design.

1 Claim, 9 Drawing Sheets



(56)

References Cited

U.S. PATENT DOCUMENTS

2020/0096207 A1* 3/2020 Kim F24F 1/029
2020/0284441 A1* 9/2020 Choi F24F 1/0014
2021/0010706 A1* 1/2021 Gyeong F24F 11/30
2021/0088236 A1* 3/2021 Lee F24F 6/025
2021/0222895 A1* 7/2021 Bae F24F 1/0087

FOREIGN PATENT DOCUMENTS

EM 001188841-0005 12/2009
JP D1527410 6/2017
JP D1628072 4/2019
KR 301040616.0000 * 1/2020
KR 301050395.0000 * 3/2020

* cited by examiner

FIG. 1

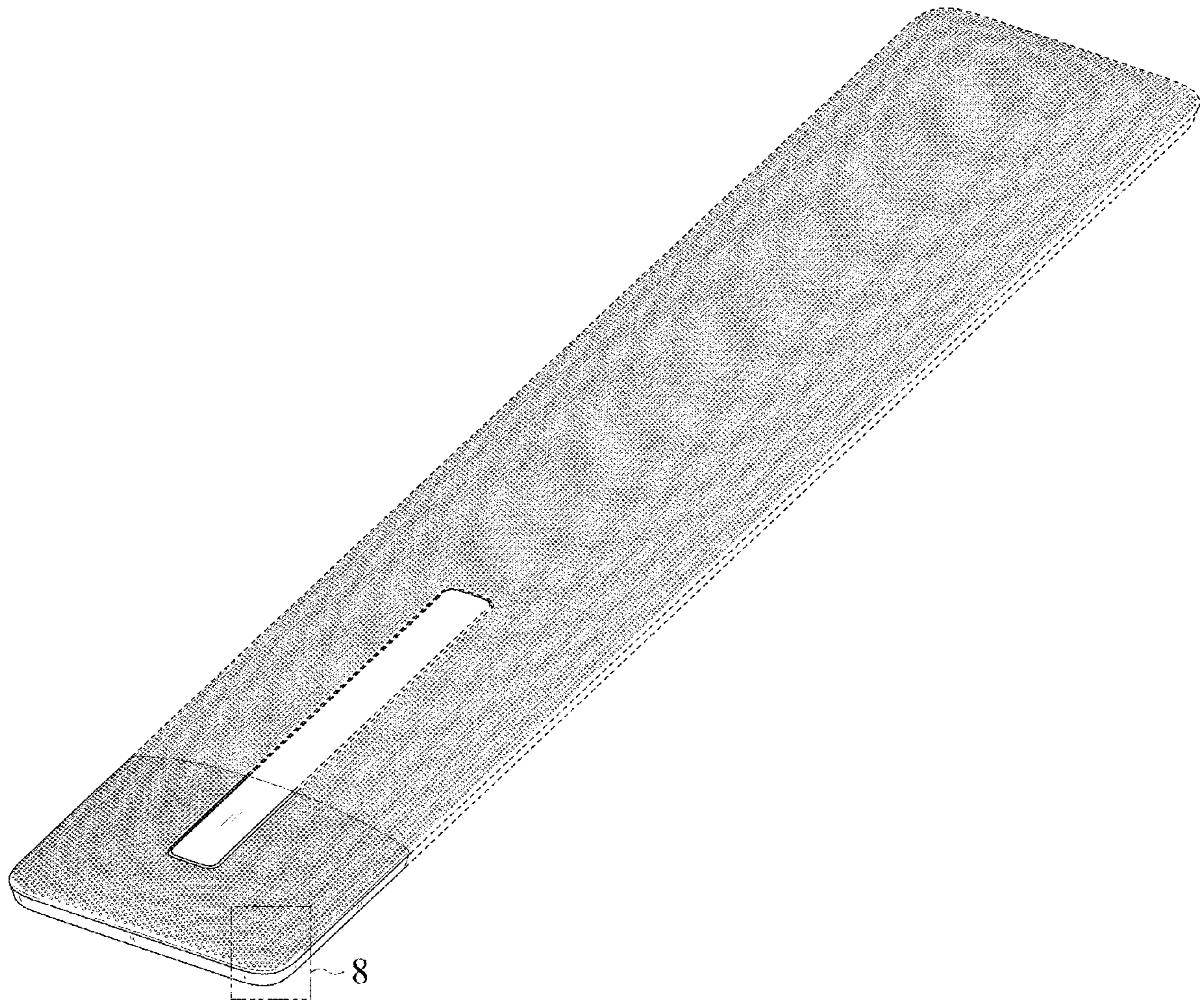


FIG. 2



FIG. 3



FIG. 4



FIG. 5



FIG. 6

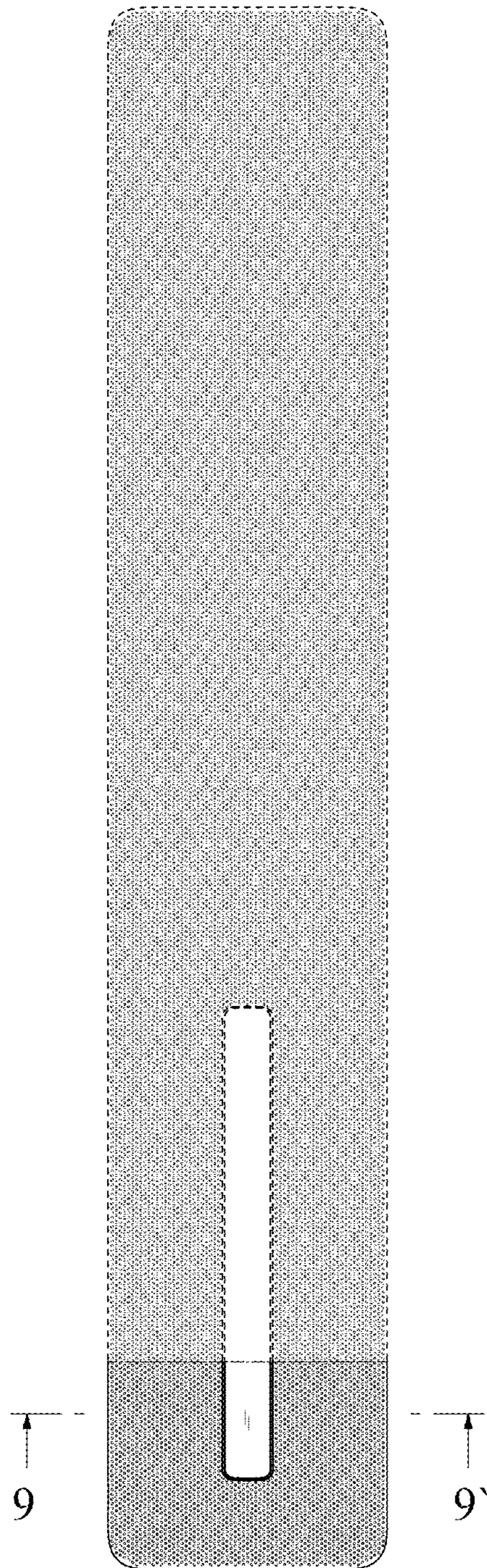


FIG. 7

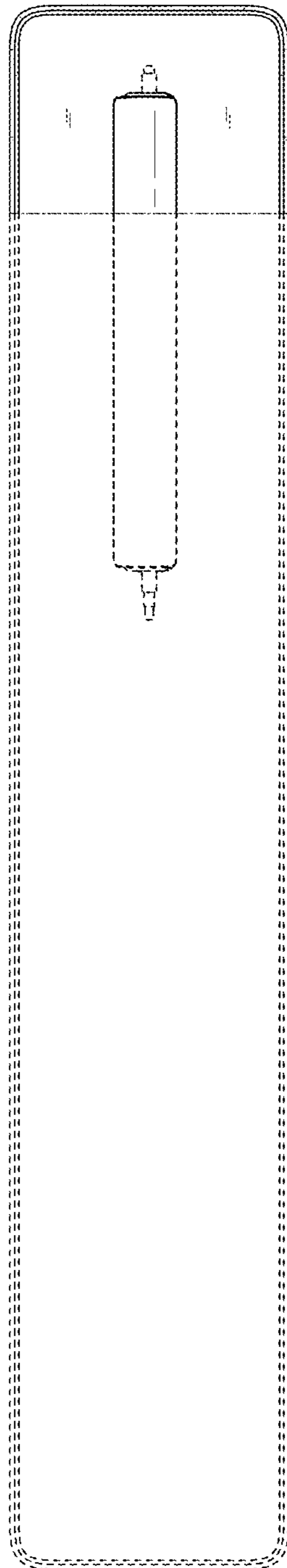


FIG. 8

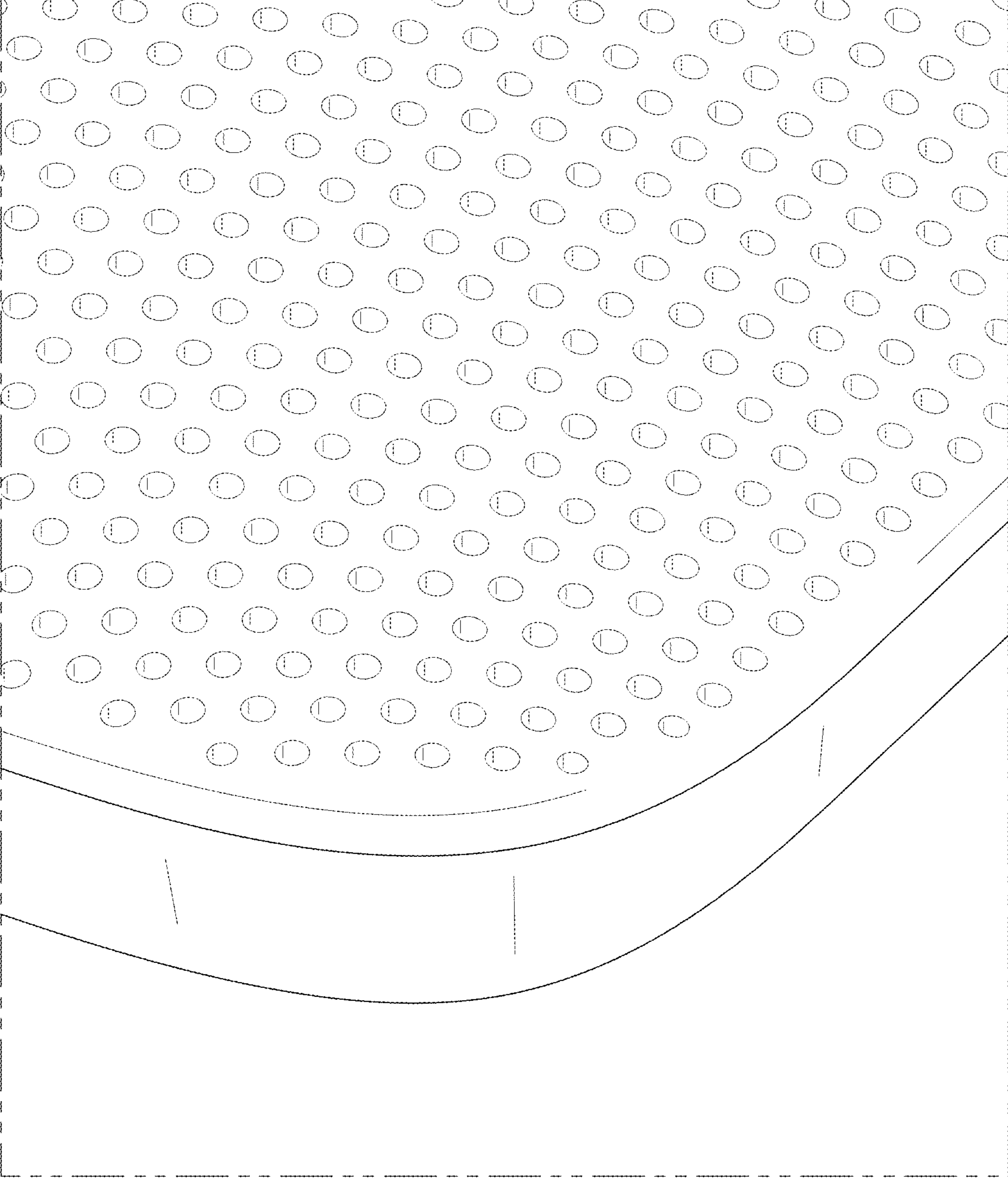


FIG. 9

