



US00D987793S

(12) **United States Design Patent** (10) **Patent No.:** **US D987,793 S**
Plank et al. (45) **Date of Patent:** **** May 30, 2023**

(54) **AIR HEATER**

(71) Applicant: **Leister Technologies AG**, Kagiswil (CH)

(72) Inventors: **Patrick Plank**, Emmen (CH); **Adam Warkiewicz**, Bichelsee (CH)

(73) Assignee: **Leister Technologies AG**, Kagiswil (CH)

(**) Term: **15 Years**

(21) Appl. No.: **29/804,881**

(22) Filed: **Aug. 23, 2021**

(30) **Foreign Application Priority Data**

Mar. 31, 2021 (EM) 008484307-0003

(51) **LOC (14) Cl.** **23-03**

(52) **U.S. Cl.**
USPC **D23/335**

(58) **Field of Classification Search**
 USPC D23/314, 317, 318, 319, 320, 321, 322, D23/323, 329, 330, 331, 332, 334, 335, D23/333, 336, 337, 338, 339, 340, 341, D23/342, 370, 378, 411, 412, 356, 358, D23/359, 363, 328
 CPC F24H 3/00; F24H 3/0411; F24H 3/0417; F24H 9/0063; F24H 9/0073; F24H 9/02; F24H 3/082; F24H 9/2071; F24H 3/002; F24H 3/02; F24H 3/04; F04D 17/04; F04D 25/08; F04D 25/10; F04D 5/00; H05B 3/008

See application file for complete search history.

(56) **References Cited**

U.S. PATENT DOCUMENTS

D105,999 S *	9/1937	Morgan	D23/416
D421,296 S *	2/2000	Kemp	D23/314
D573,703 S *	7/2008	Gosselin	D23/335
D604,399 S *	11/2009	Aregger	D23/317
D617,434 S *	6/2010	Aregger	D23/314
D661,385 S *	6/2012	Fuerling	D23/314
D743,015 S *	11/2015	Arnold	D23/317
D743,016 S *	11/2015	Arnold	D23/317

* cited by examiner

Primary Examiner — Ania Aman

(74) *Attorney, Agent, or Firm* — Charles H Jew

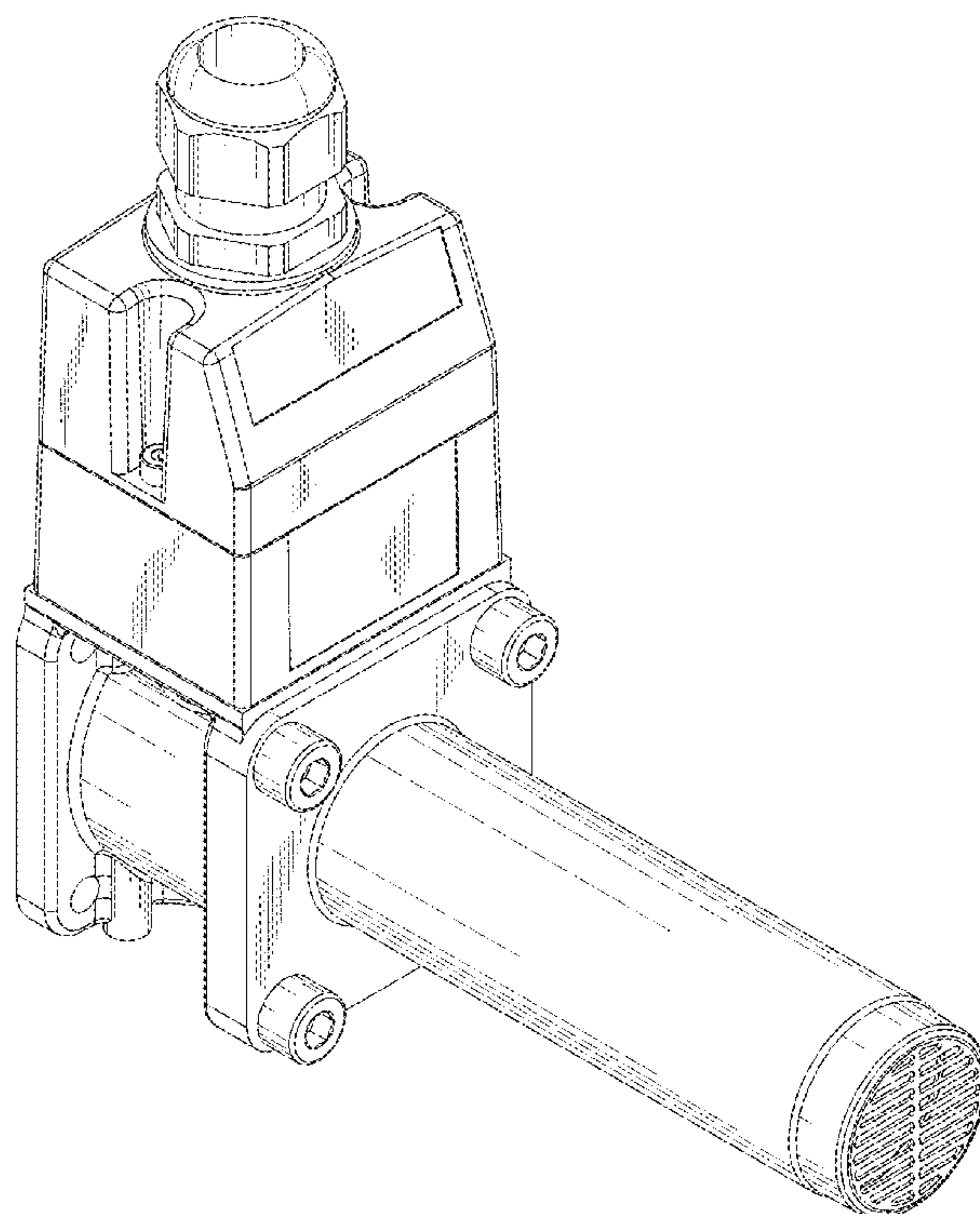
(57) **CLAIM**

The ornamental design for an air heater, as shown and described.

DESCRIPTION

FIG. 1 is a left side elevational view of the air heater showing our design;
 FIG. 2 is a right side elevational view thereof;
 FIG. 3 is a front elevational view thereof;
 FIG. 4 is a rear elevational view thereof;
 FIG. 5 is a top plan view thereof;
 FIG. 6 is a bottom plan view thereof; and,
 FIG. 7 is a front perspective view thereof.
 The broken lines in FIGS. 4 and 5 show portions of the air heater that form no part of the claimed design.

1 Claim, 5 Drawing Sheets



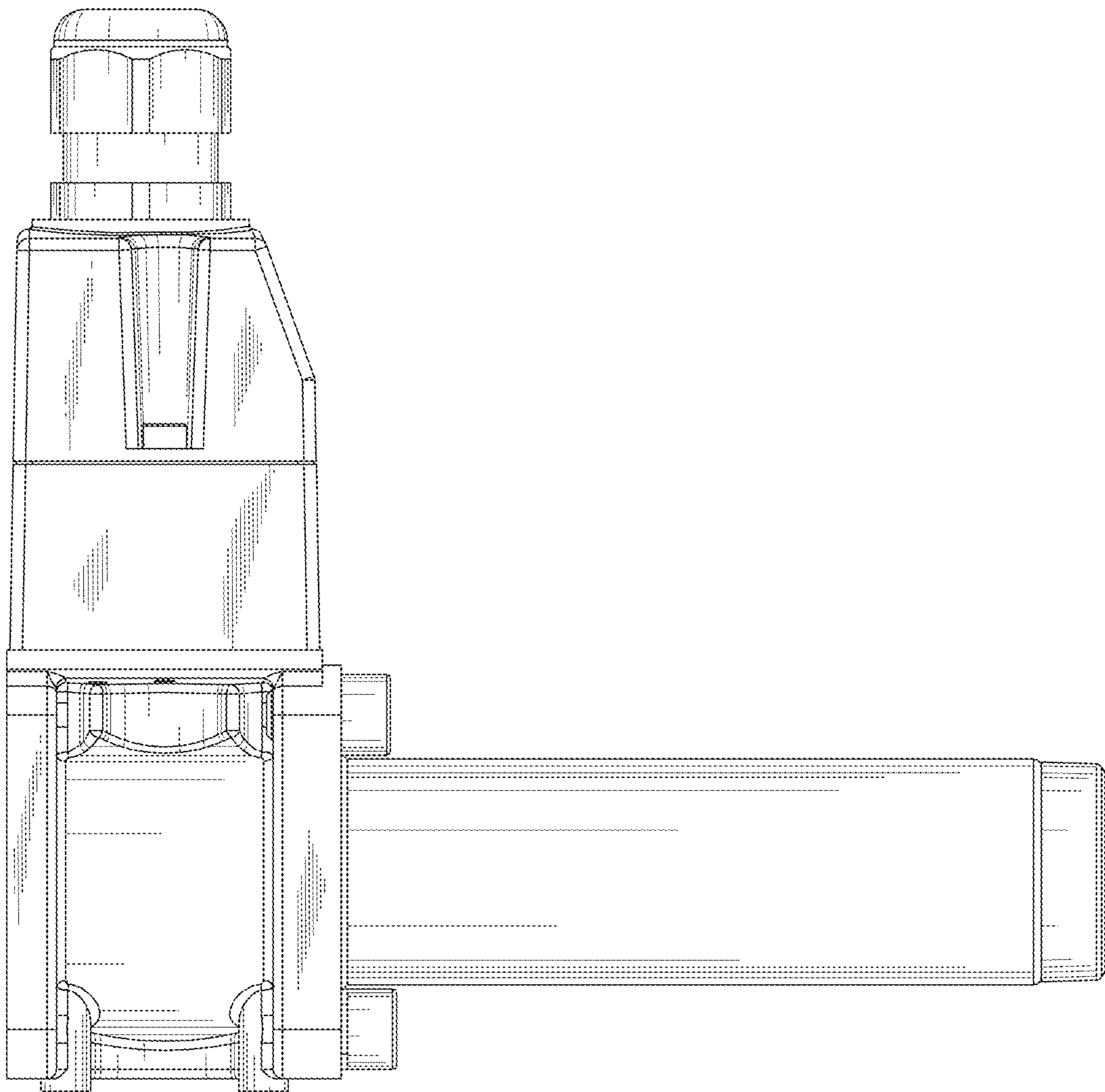


FIG. 1

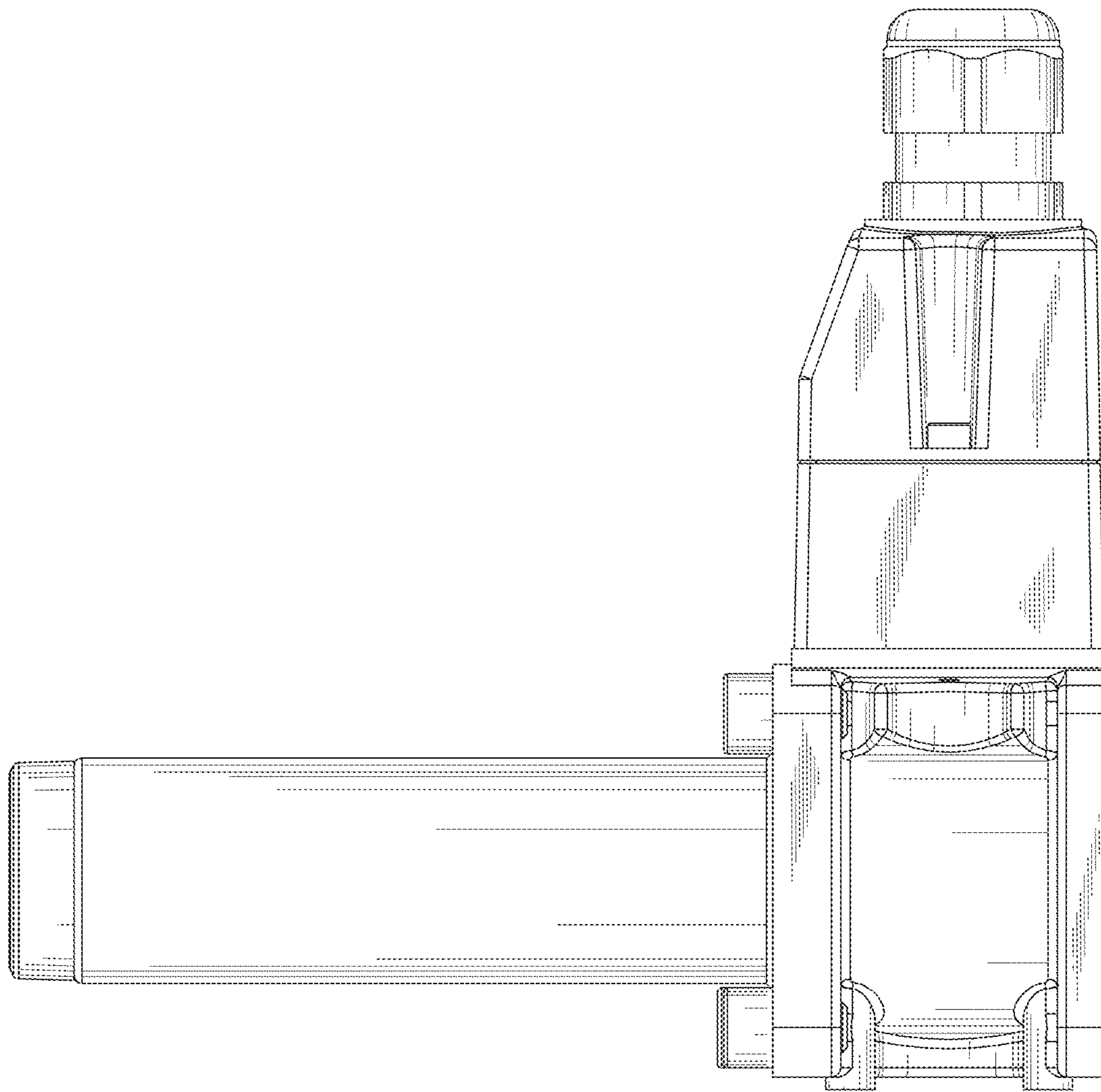


FIG. 2

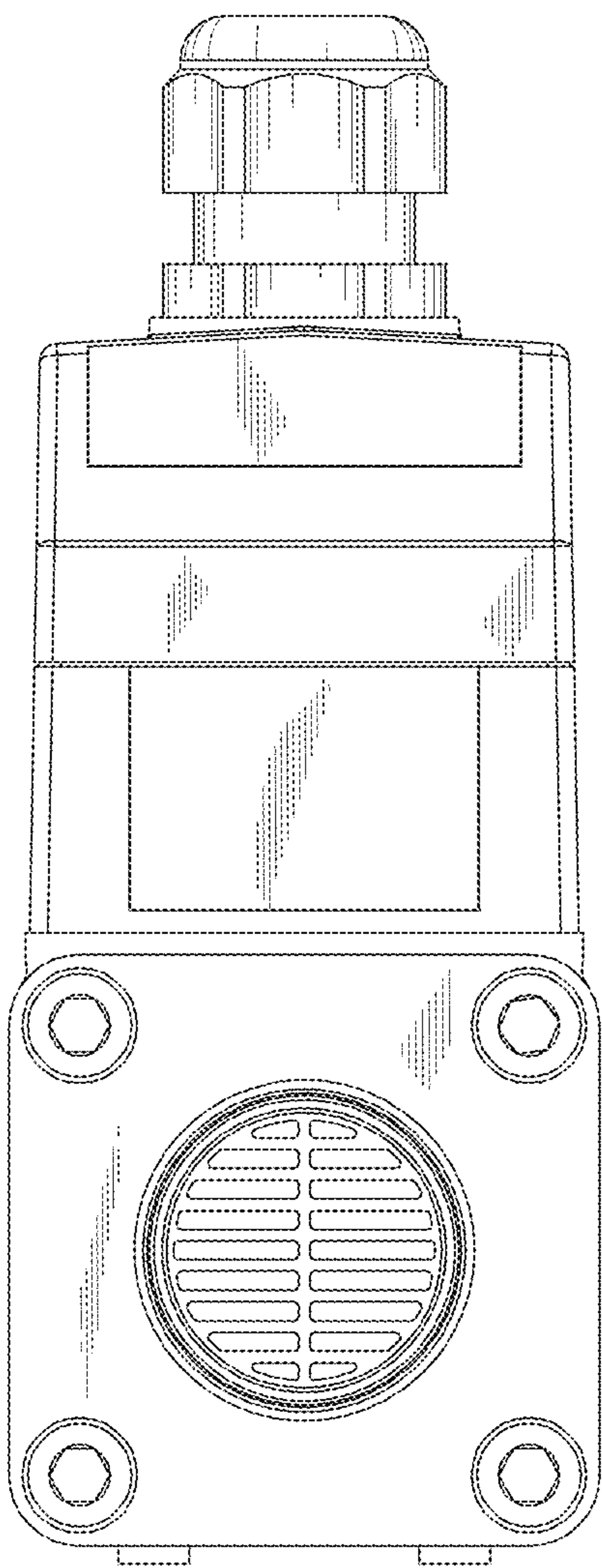


FIG. 3

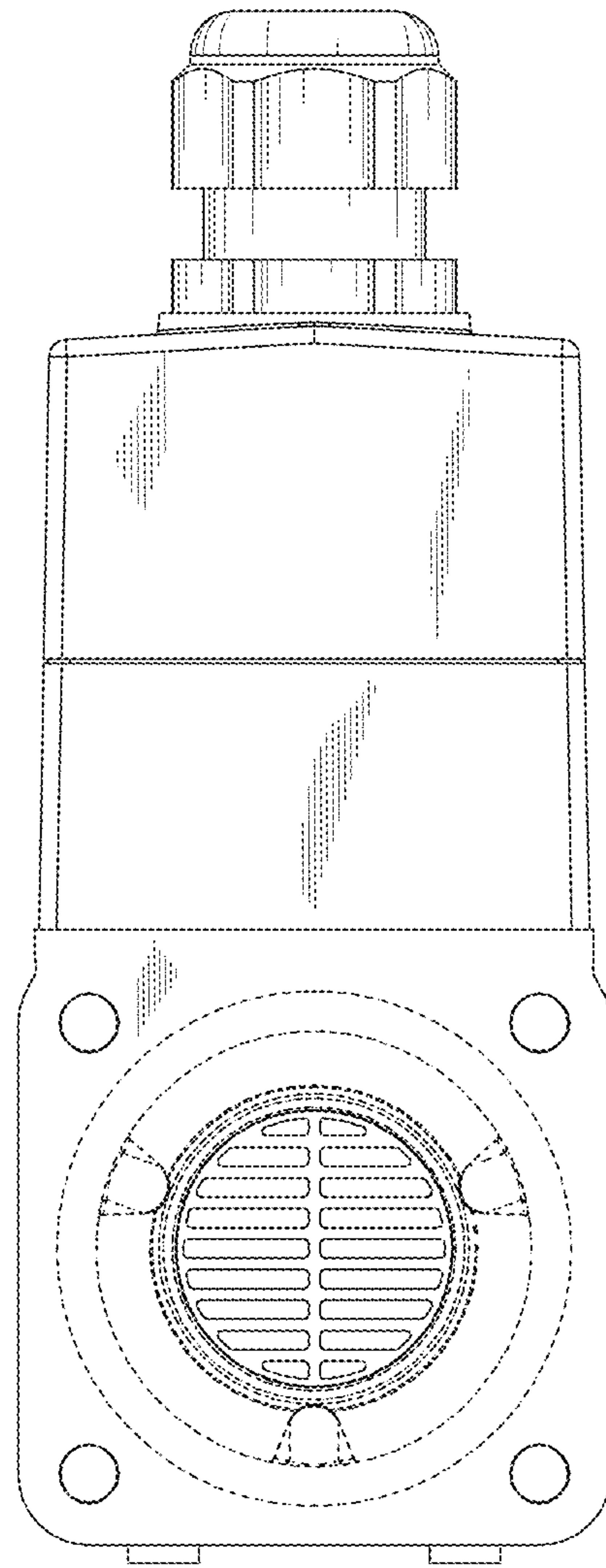


FIG. 4

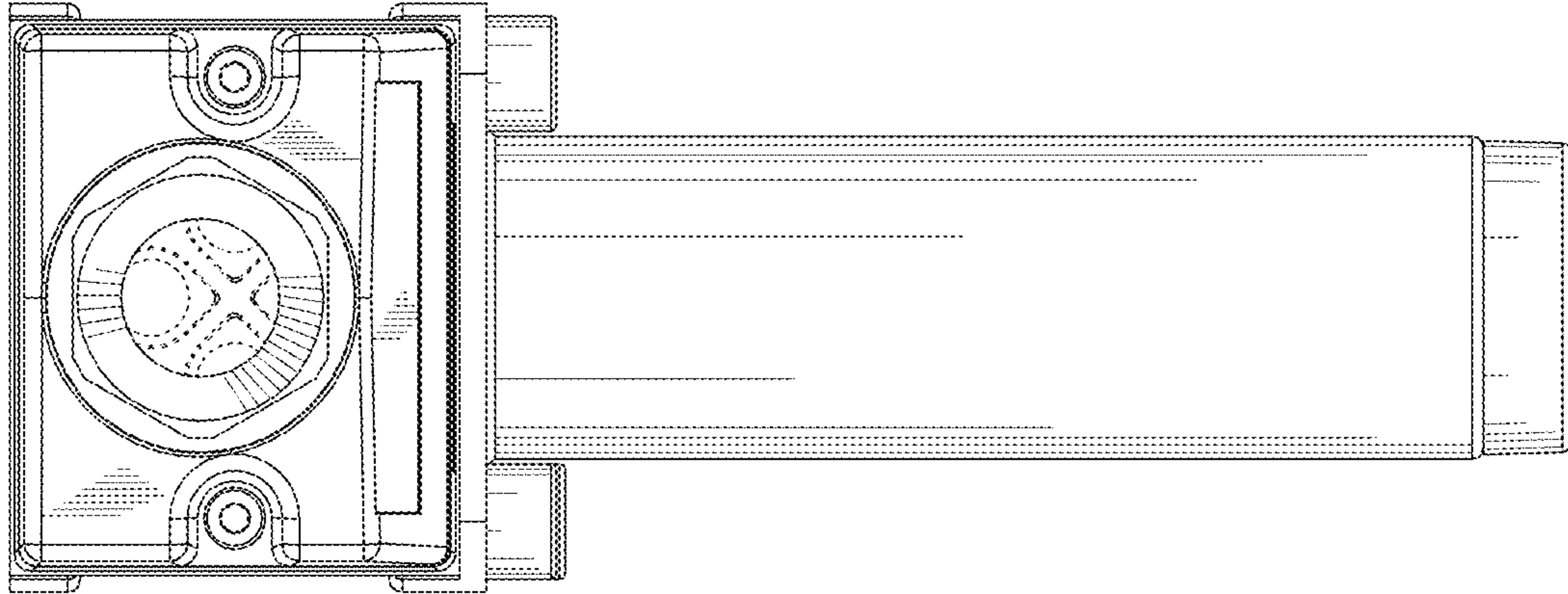


FIG. 5

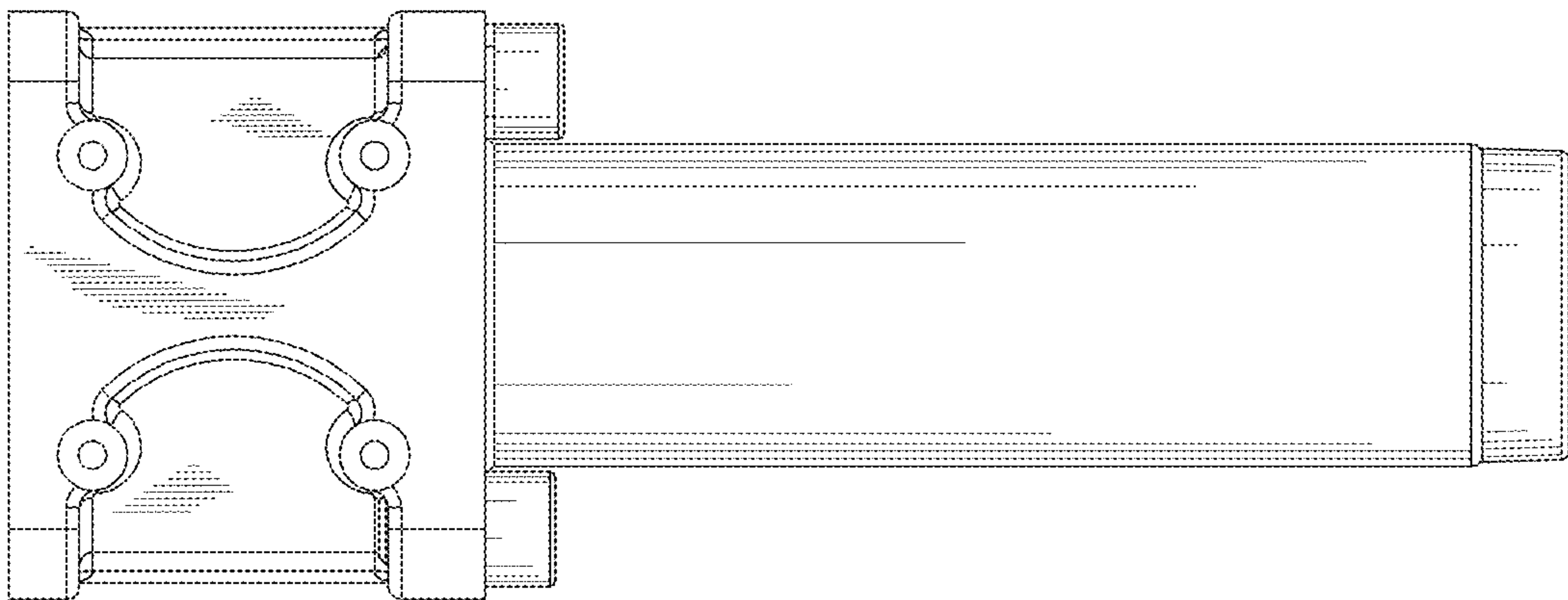


FIG. 6

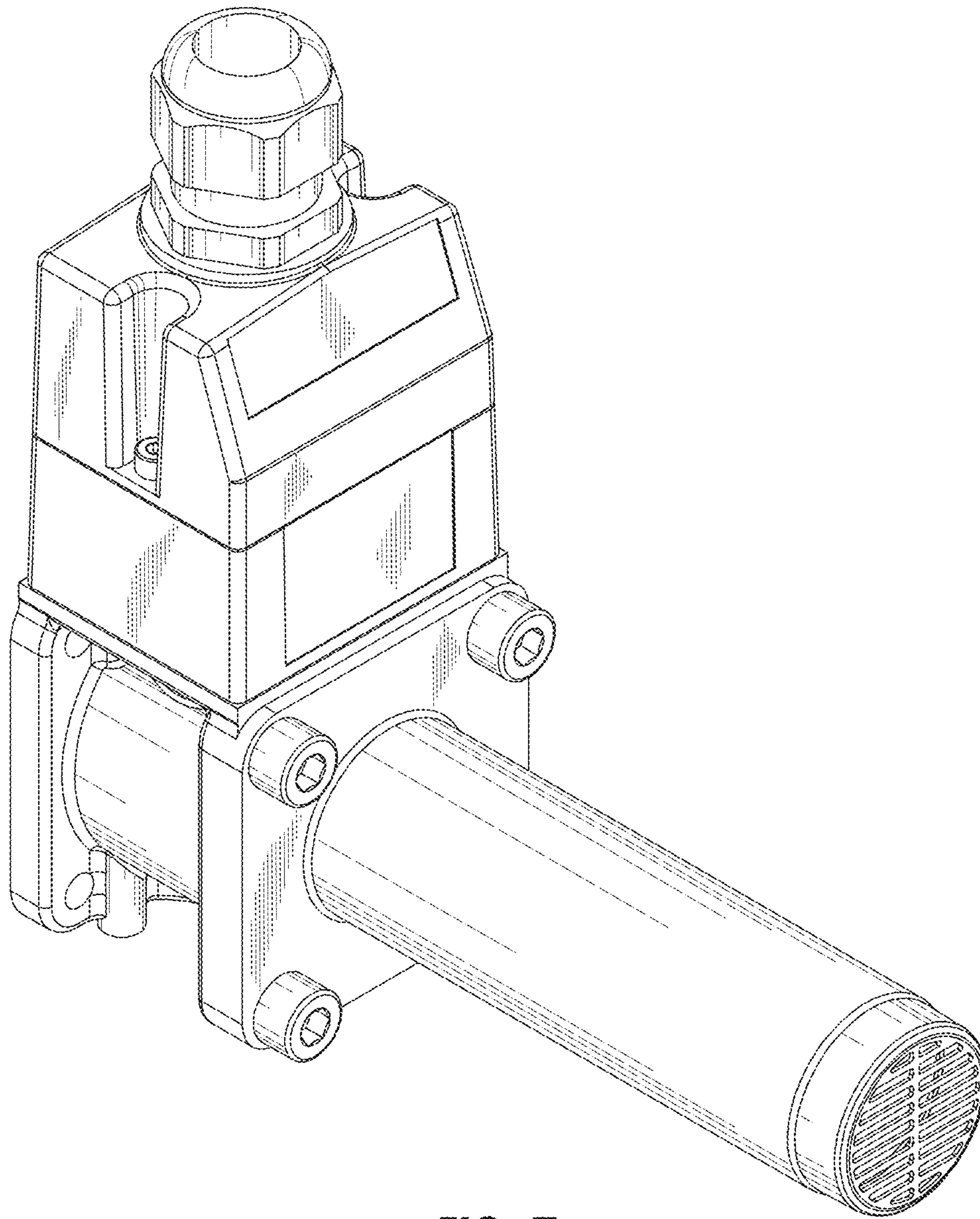


FIG. 7