



US00D987786S

(12) **United States Design Patent**
Shao

(10) **Patent No.:** **US D987,786 S**

(45) **Date of Patent:** **** May 30, 2023**

(54) **TOILET SEAT FOR CHILDREN**

(71) Applicant: **Kui Shao**, Bozhou (CN)

(72) Inventor: **Kui Shao**, Bozhou (CN)

(**) Term: **15 Years**

(21) Appl. No.: **29/852,670**

(22) Filed: **Sep. 8, 2022**

(30) **Foreign Application Priority Data**

Jun. 22, 2022 (EM) 009067622

(51) **LOC (14) Cl.** **23-02**

(52) **U.S. Cl.**
USPC **D23/296**

(58) **Field of Classification Search**
USPC D23/296, 309, 311; D6/339, 350;
D25/65, 69
See application file for complete search history.

(56) **References Cited**

U.S. PATENT DOCUMENTS

4,777,672 A * 10/1988 Gebhard A47K 11/04
297/130
D307,629 S * 5/1990 Takahashi D23/296

D346,206 S * 4/1994 Crossley D23/296
D565,745 S * 4/2008 Meyers D25/65
D618,321 S * 6/2010 Yeung D23/296
10,478,024 B2 * 11/2019 Del Duke A47K 17/028
D942,789 S * 2/2022 Marsden D6/350

* cited by examiner

Primary Examiner — Robert A Delehanty
(74) *Attorney, Agent, or Firm* — Chun-Ming Shih;
Lanway IPR Services

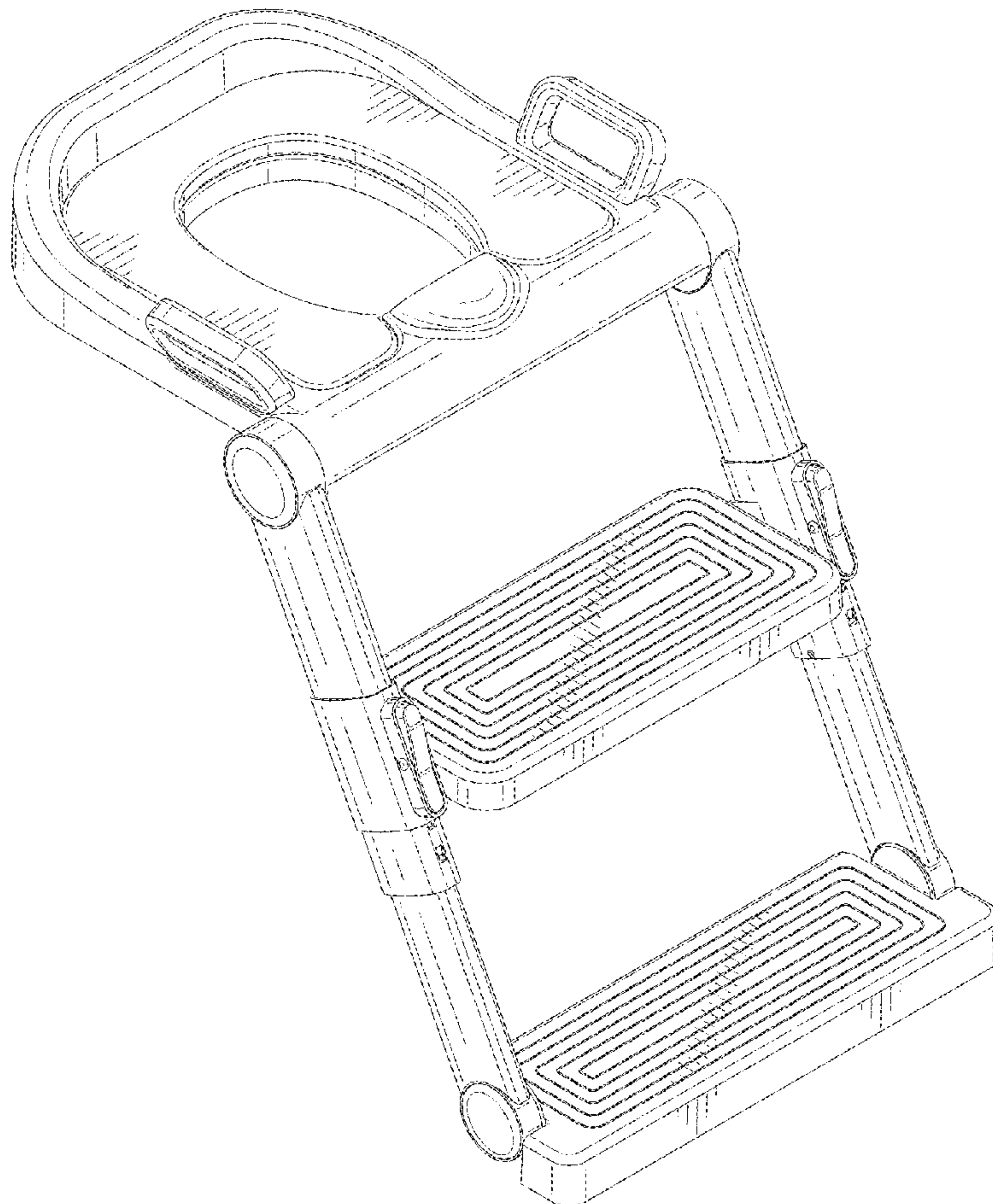
(57) **CLAIM**

The ornamental design for a toilet seat for children, as shown and described.

DESCRIPTION

FIG. 1 is a top perspective view of a toilet seat for children showing the new design;
FIG. 2 is a bottom perspective view thereof;
FIG. 3 is a front view thereof;
FIG. 4 is a rear view thereof;
FIG. 5 is a left side view thereof;
FIG. 6 is a right side view thereof;
FIG. 7 is a top view thereof;
FIG. 8 is a bottom view thereof; and,
FIG. 9 is a perspective view thereof in a folded status.

1 Claim, 9 Drawing Sheets



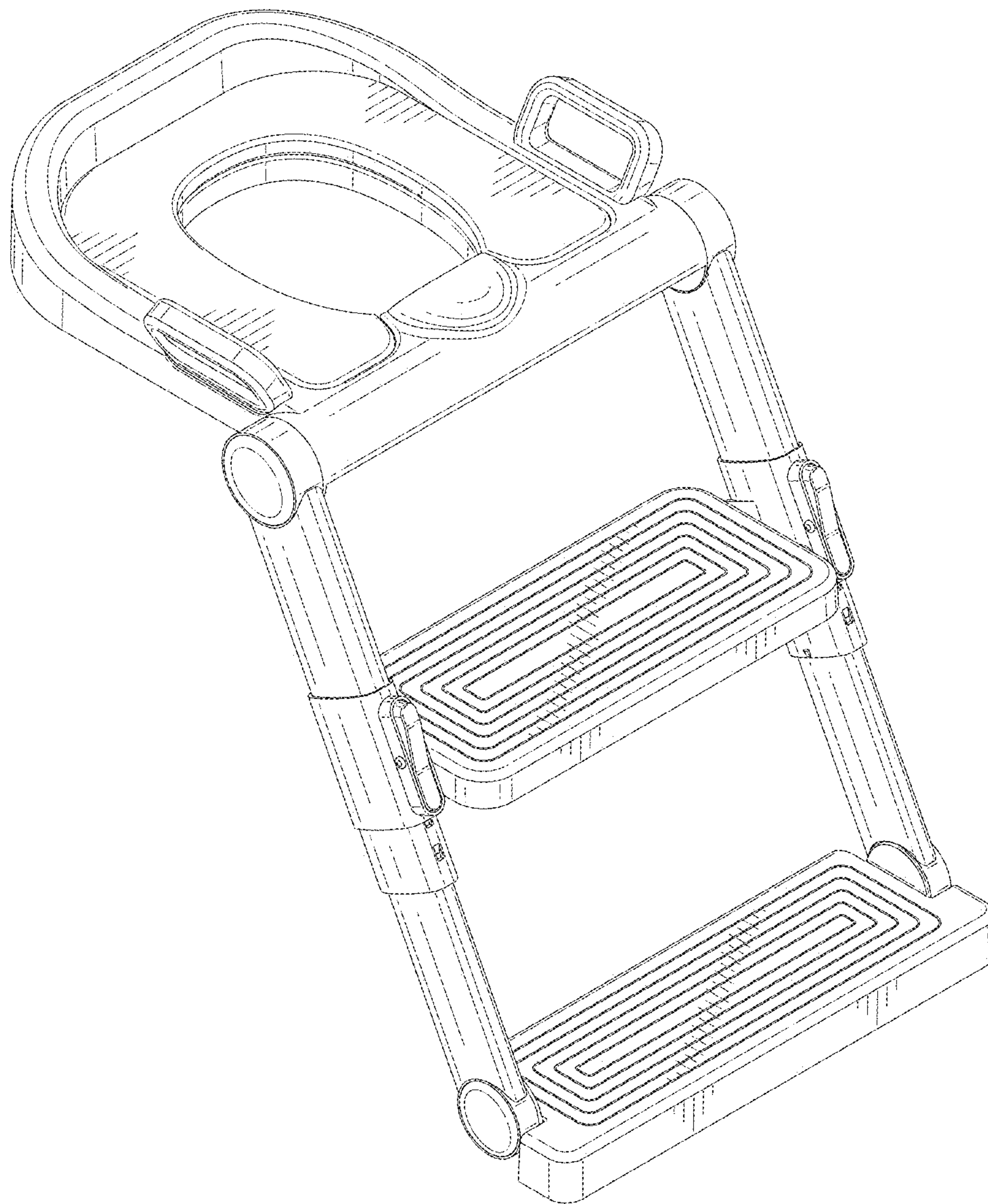


FIG. 1

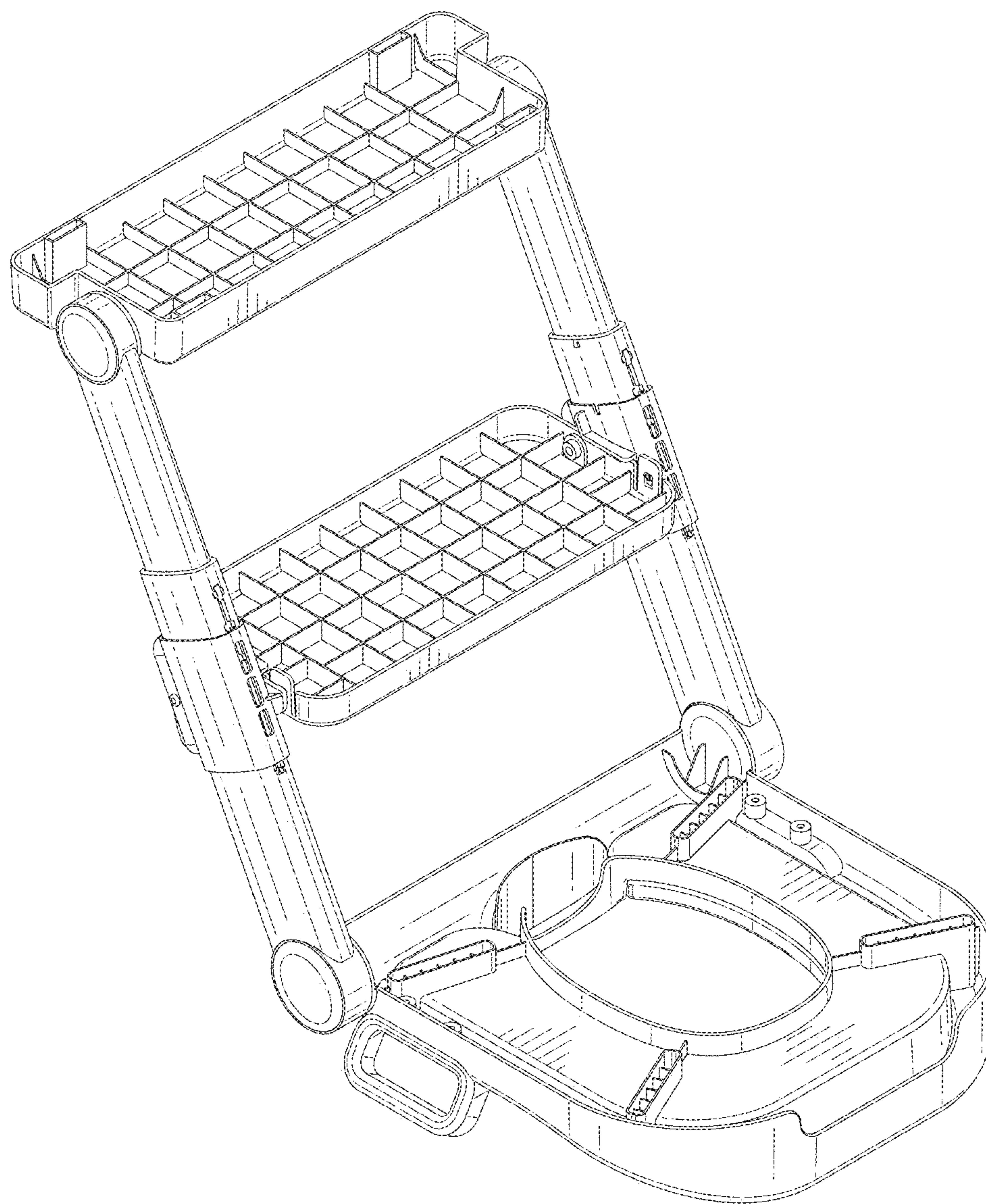


FIG. 2

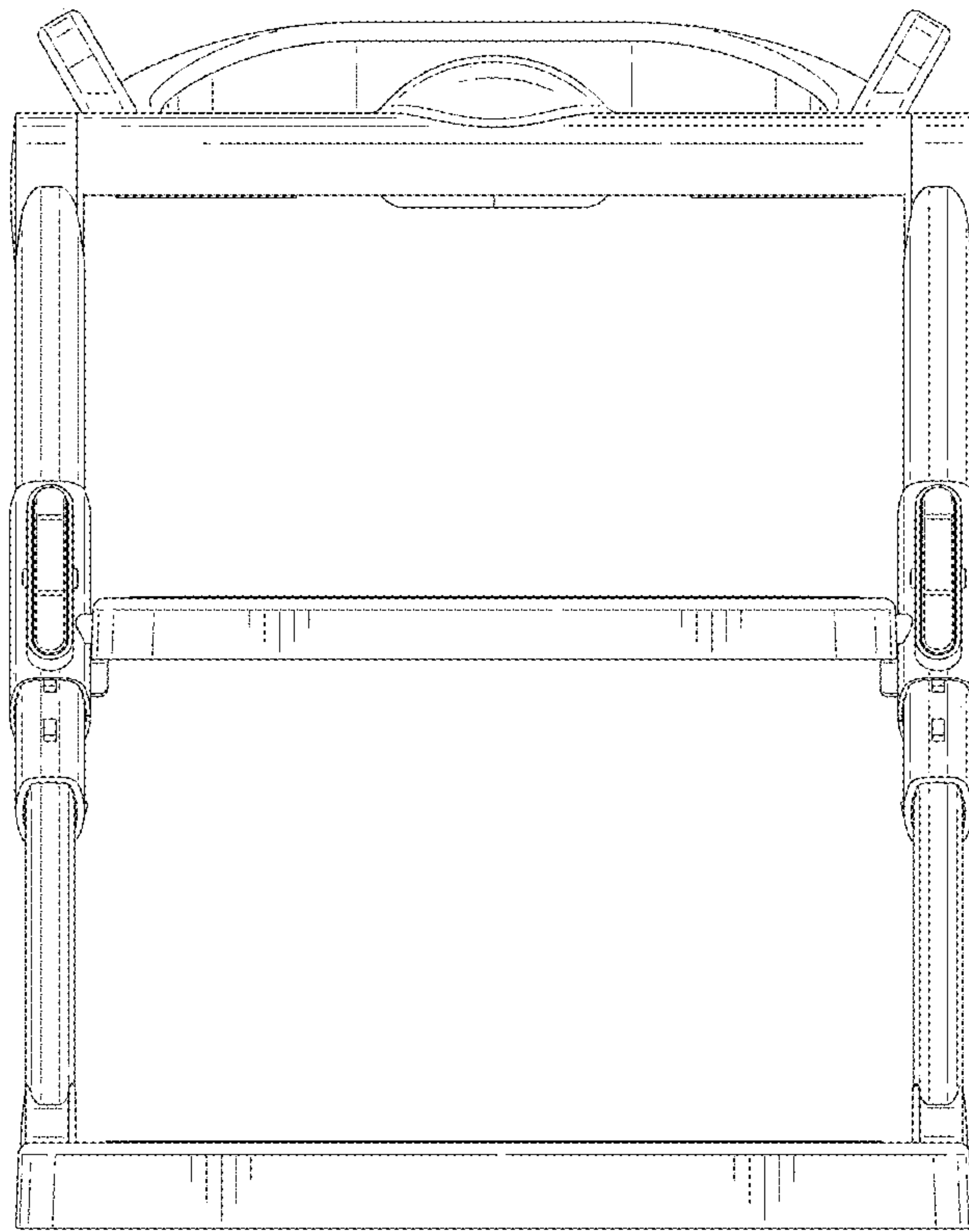


FIG. 3

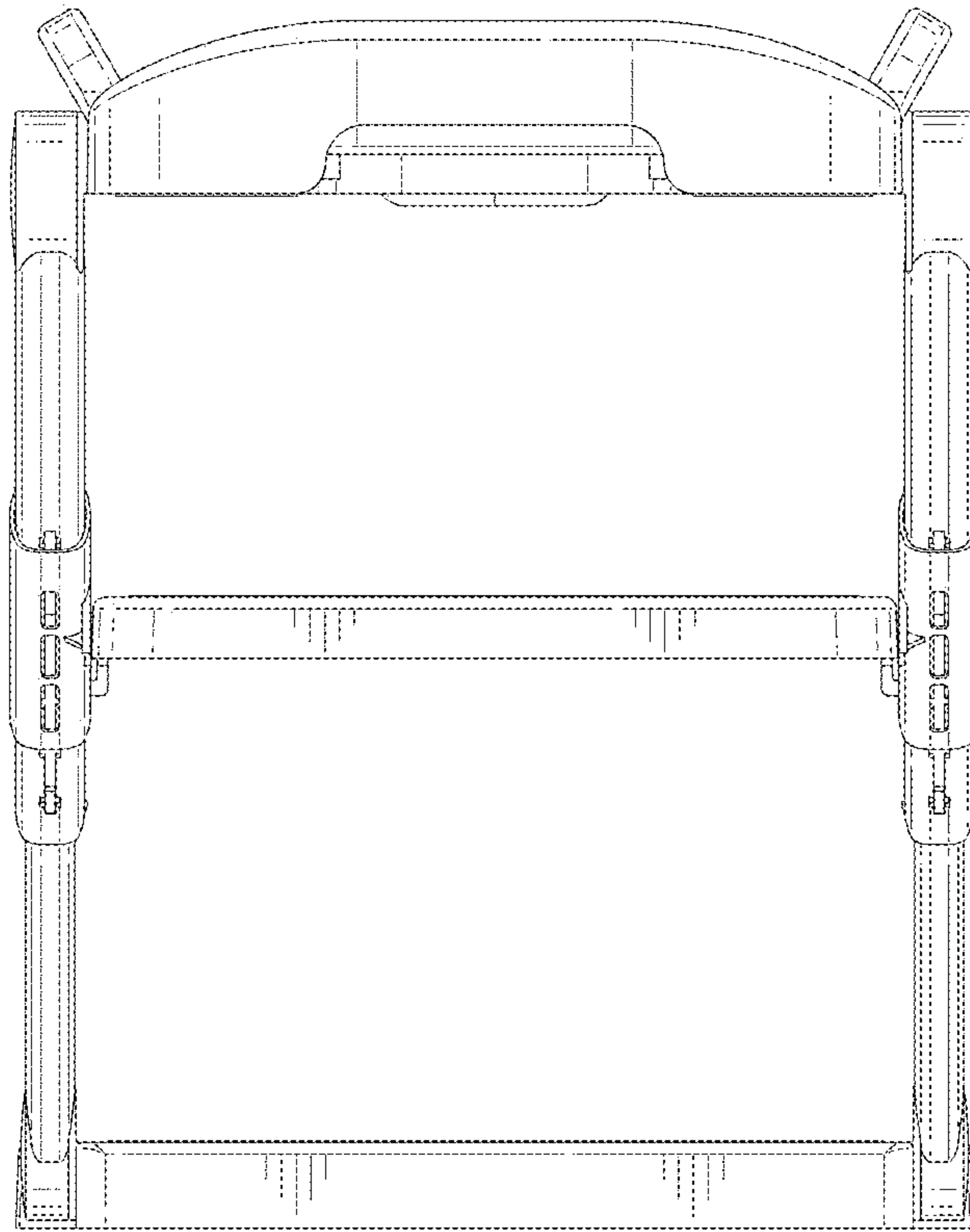


FIG. 4

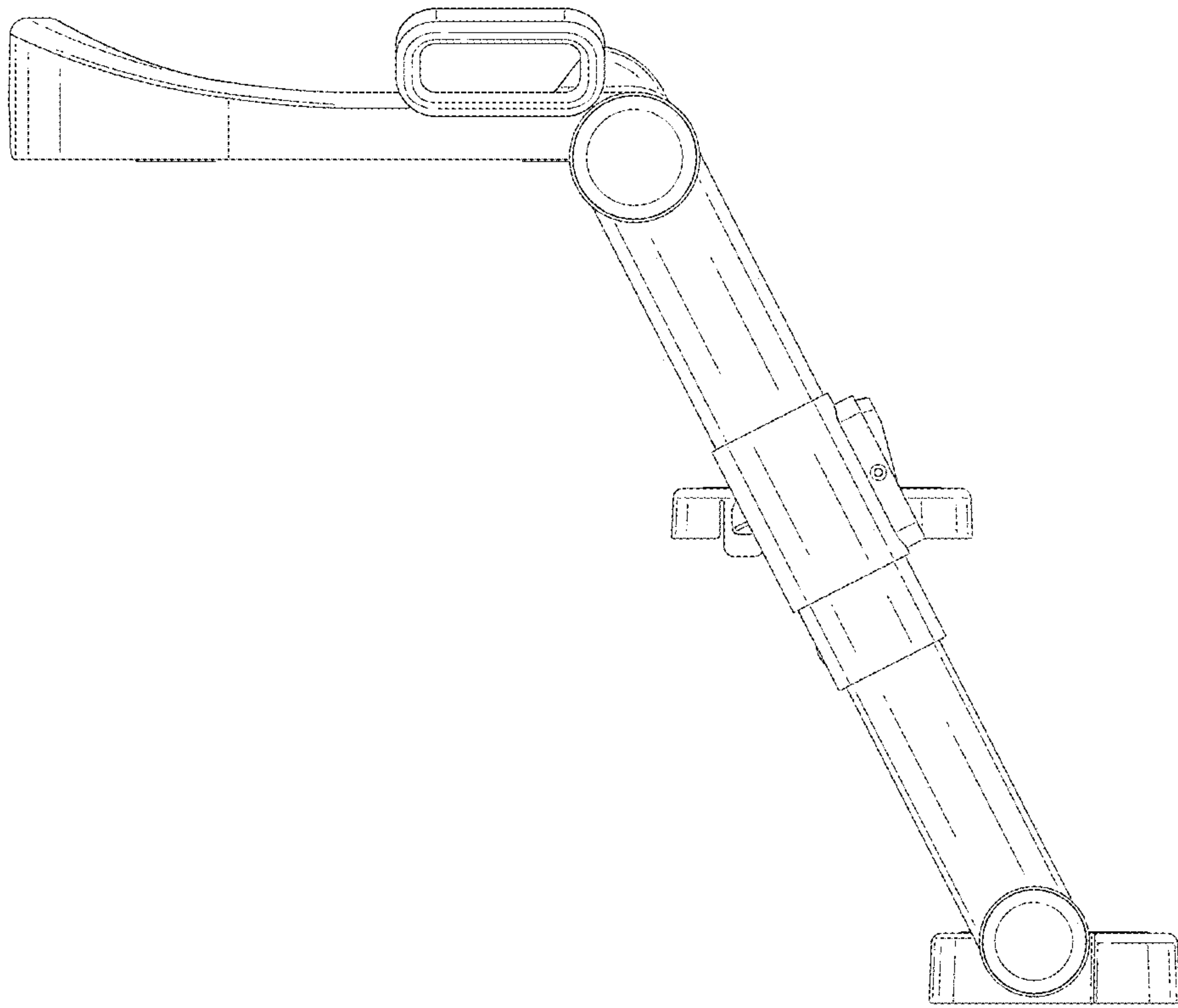


FIG. 5

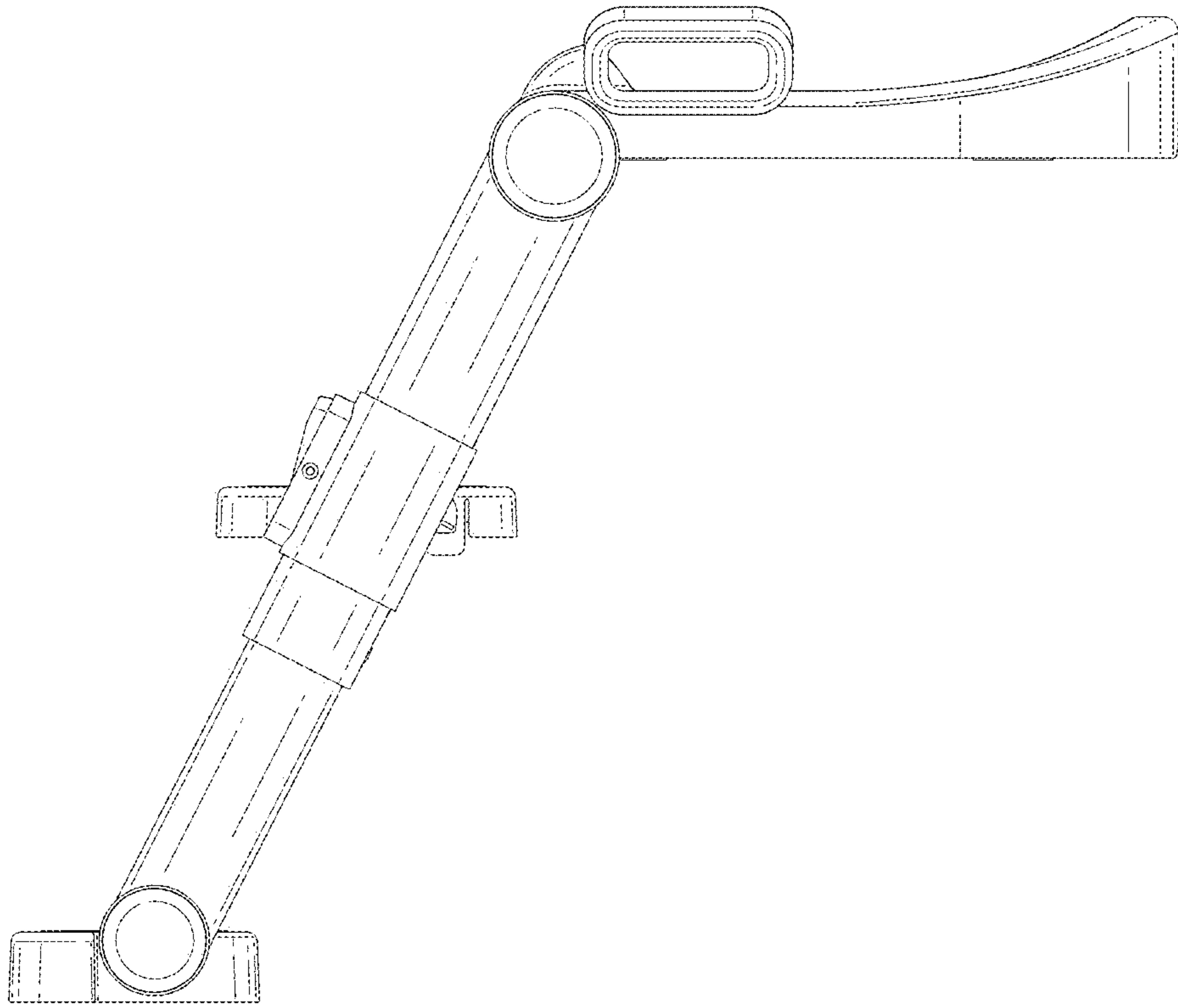


FIG. 6

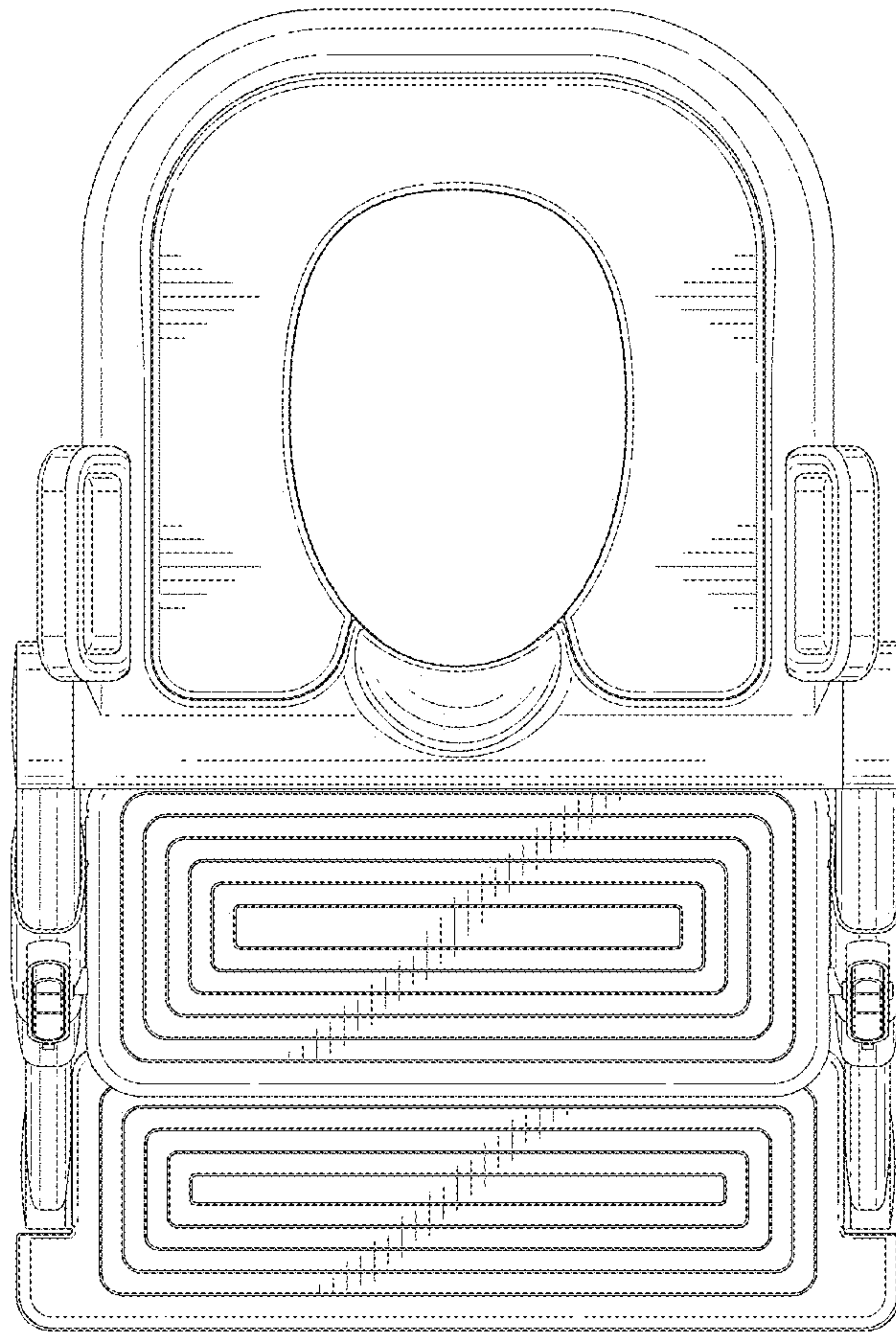


FIG. 7

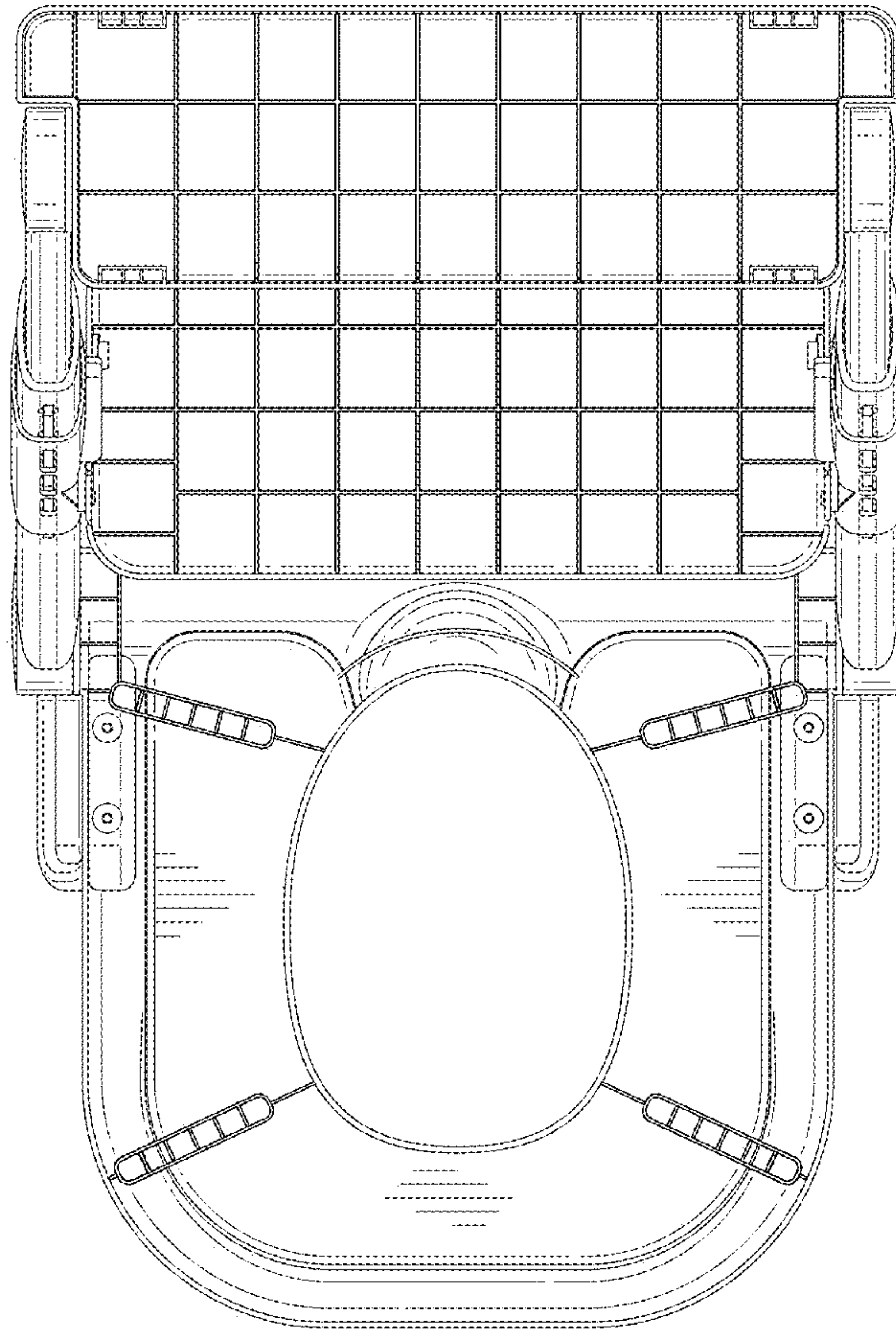


FIG. 8

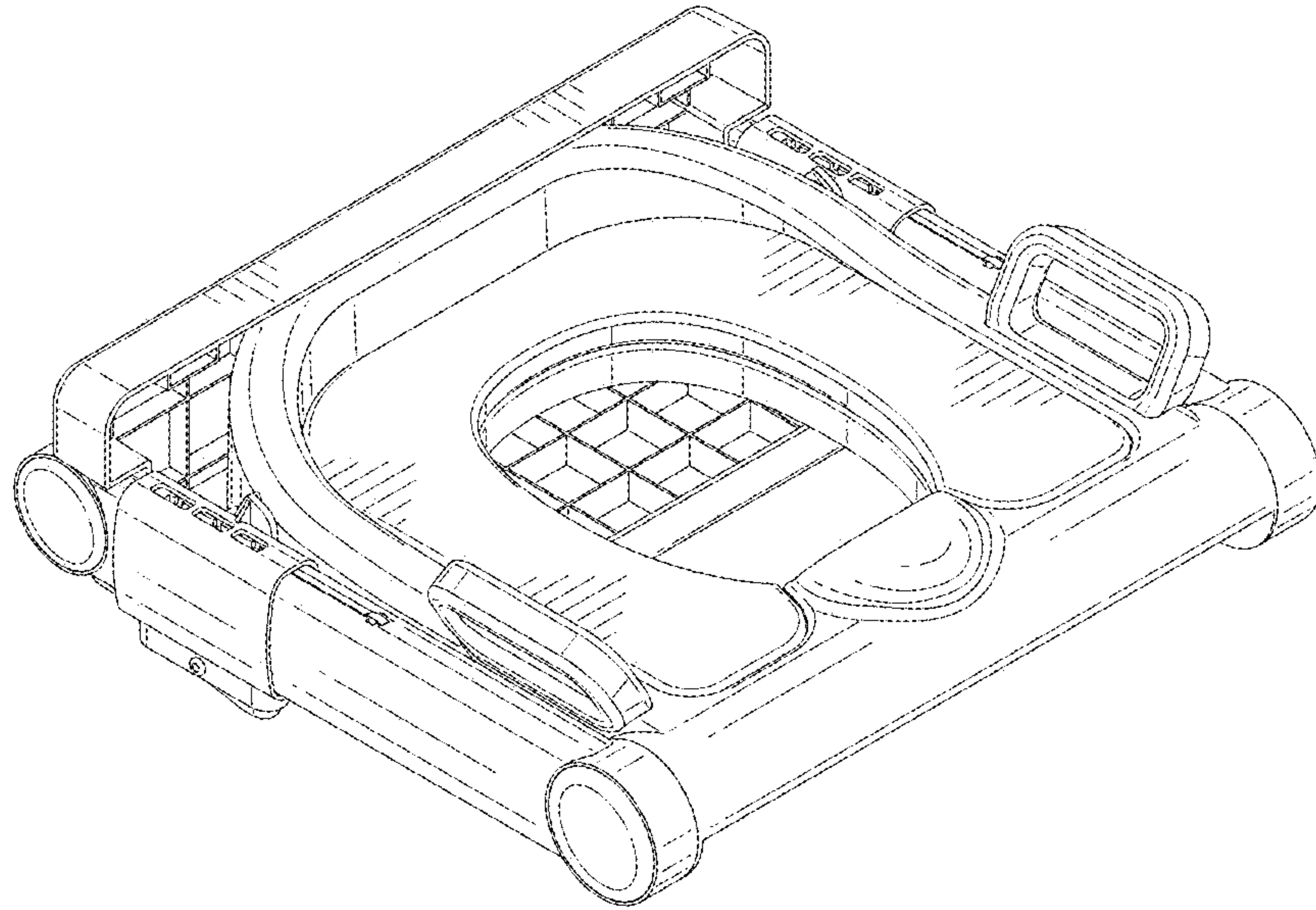


FIG. 9