



US00D987784S

(12) **United States Design Patent** (10) **Patent No.:** **US D987,784 S**
Ediger (45) **Date of Patent:** **** May 30, 2023**

(54) **PIPE BELL END RING FLARE DEVICE**
(71) Applicant: **Cantex, Inc.**, Fort Worth, TX (US)
(72) Inventor: **Steve D. Ediger**, Fort Worth, TX (US)
(73) Assignee: **CANTEX, INC.**, Fort Worth, TX (US)
(**) Term: **15 Years**
(21) Appl. No.: **29/743,171**
(22) Filed: **Jul. 20, 2020**
(51) **LOC (14) Cl.** **23-01**
(52) **U.S. Cl.**
USPC **D23/269**
(58) **Field of Classification Search**
USPC D23/213, 223, 233, 249, 250, 253, 259,
D23/260, 262-269, 323, 333, 386;
D7/300.1, 313, 509, 510, 523; D14/188,
D14/194, 195, 204, 221, 228; D26/26,
D26/37, 40, 46, 49, 93, 104, 105; D15/7;
D24/108, 110.6, 112, 129; D8/382
CPC F16L 1/00; F16L 9/00; F16L 13/00; F16L
13/146; F16L 2101/00; F16L 17/035;
F16L 21/08; F16L 27/0857; Y10S 92/01;
Y10S 102/70; A47L 9/02; A47L 9/24;
A47L 9/242; A47L 9/244; A47L 9/248;
A61M 16/08; A61M 16/0816; A61M
16/0833; A61M 29/00; A61M 39/223
See application file for complete search history.

(56) **References Cited**

U.S. PATENT DOCUMENTS

3,908,579 A 9/1975 Miller et al.
4,643,463 A * 2/1987 Hailing F16L 27/0857
285/226
D292,308 S * 10/1987 Beltran D23/269
5,222,769 A 6/1993 Kaempen
D616,966 S * 6/2010 Angell D23/262
D631,142 S * 1/2011 Angell D23/262
D748,228 S * 1/2016 Bayyouk D23/269

D771,480 S * 11/2016 Lowitz D8/382
D880,661 S * 4/2020 Foster D23/269
2005/0134044 A1* 6/2005 Svetlik F16L 21/08
285/337

(Continued)

OTHER PUBLICATIONS

Non-Final Office Action dated Sep. 6, 2022 in corresponding U.S.
Appl. No. 16/933,102.

Primary Examiner — Gino Colan
Assistant Examiner — David Obrien
(74) *Attorney, Agent, or Firm* — Miles & Stockbridge
P.C.; David R. Schaffer

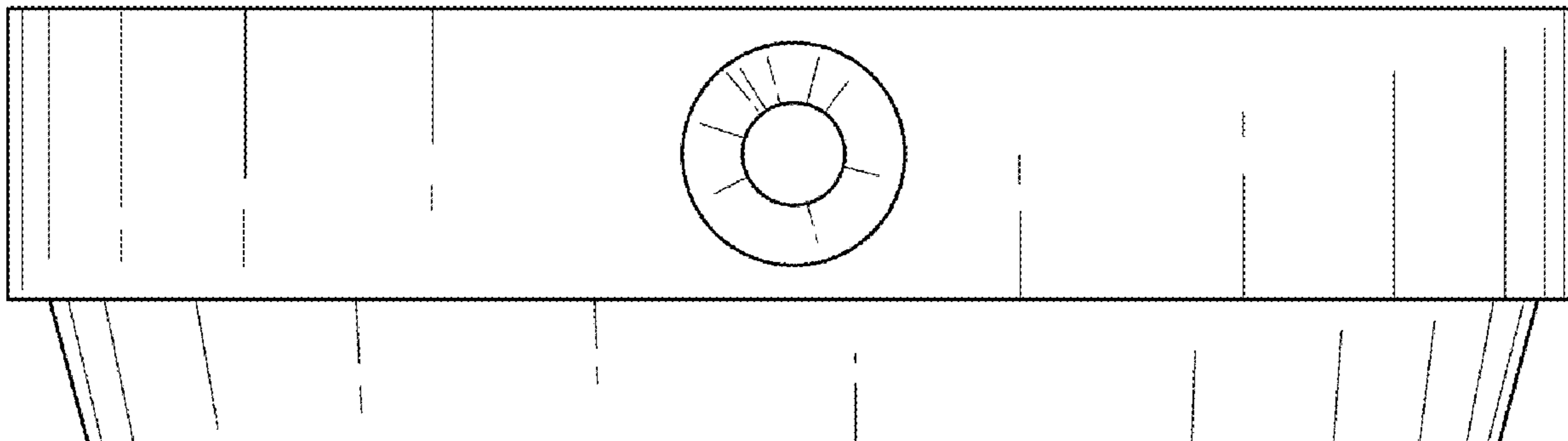
(57) **CLAIM**

The ornamental design for a pipe bell end ring flare device,
as shown and described.

DESCRIPTION

FIG. 1 is a top plan view of a pipe bell end ring flare device
showing my new design;
FIG. 2 is a front elevational view thereof;
FIG. 3 is a right side elevational view thereof;
FIG. 4 is a back elevational view thereof;
FIG. 5 is a left side elevational view thereof;
FIG. 6 is a bottom plan view thereof;
FIG. 7 is a cross-sectional view taken along line 7-7 of FIG.
6 thereof;
FIG. 8 is a side view thereof installed around a mandrel;
FIG. 9 is a cross-sectional view taken along line 9-9 of FIG.
10;
FIG. 10 is a top plan view of FIG. 8;
FIG. 11 is a bottom plan view of FIG. 8; and,
FIG. 12 is a side view of FIG. 8 with a partial section of a
pipe bell end shown around the mandrel.
The broken lines shown in the figures are for the purpose of
illustrating portions of the environment and form no part of
the claimed design.

1 Claim, 9 Drawing Sheets



(56)

References Cited

U.S. PATENT DOCUMENTS

2011/0220238 A1 9/2011 Schnallinger et al.
2022/0016825 A1* 1/2022 Ediger B29C 57/04

* cited by examiner

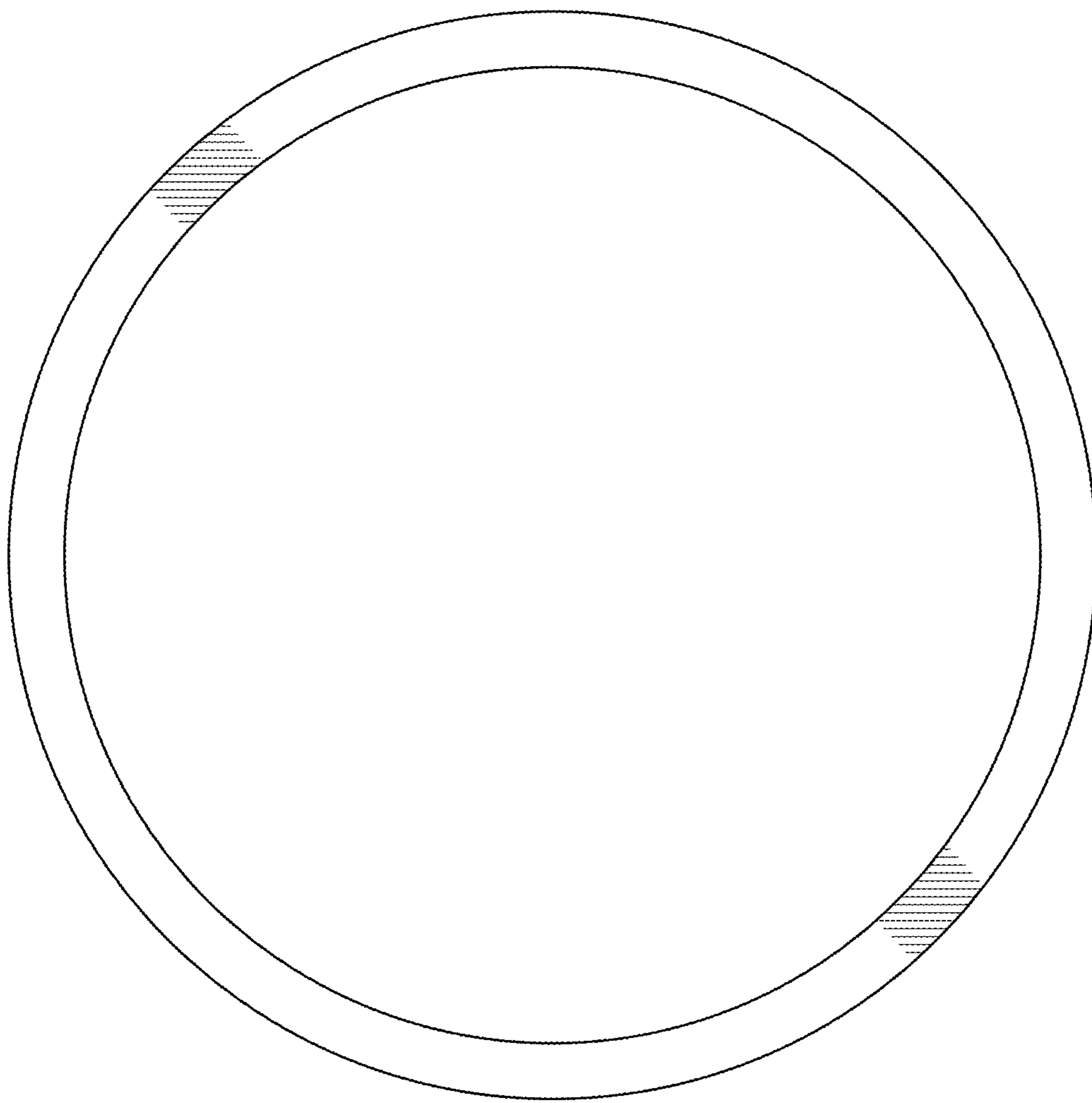


FIG. 1

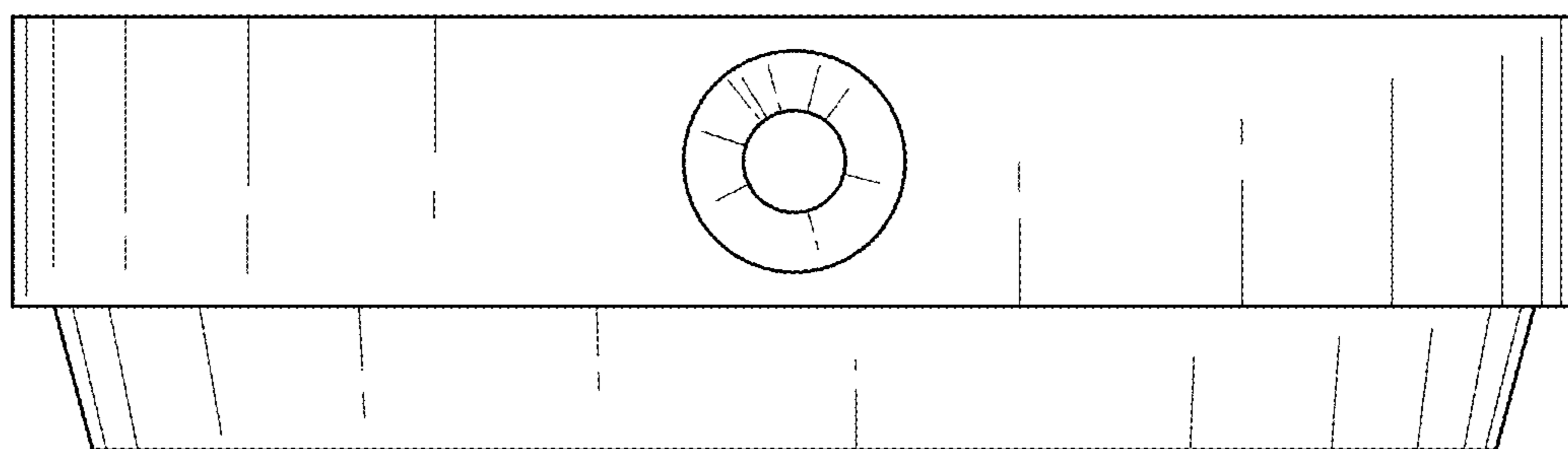


FIG. 2

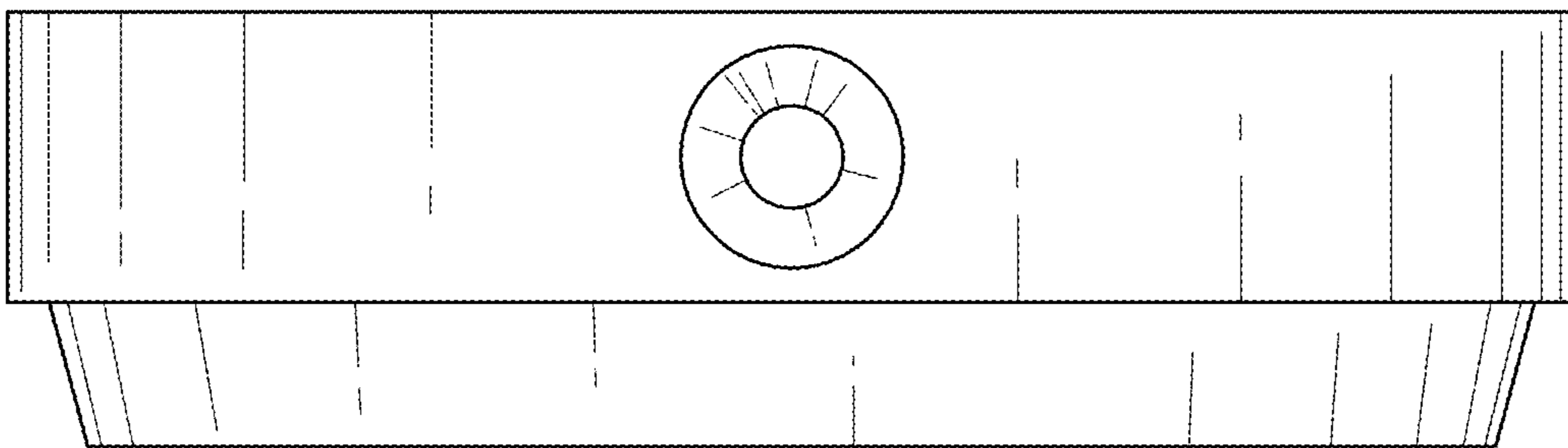


FIG. 3

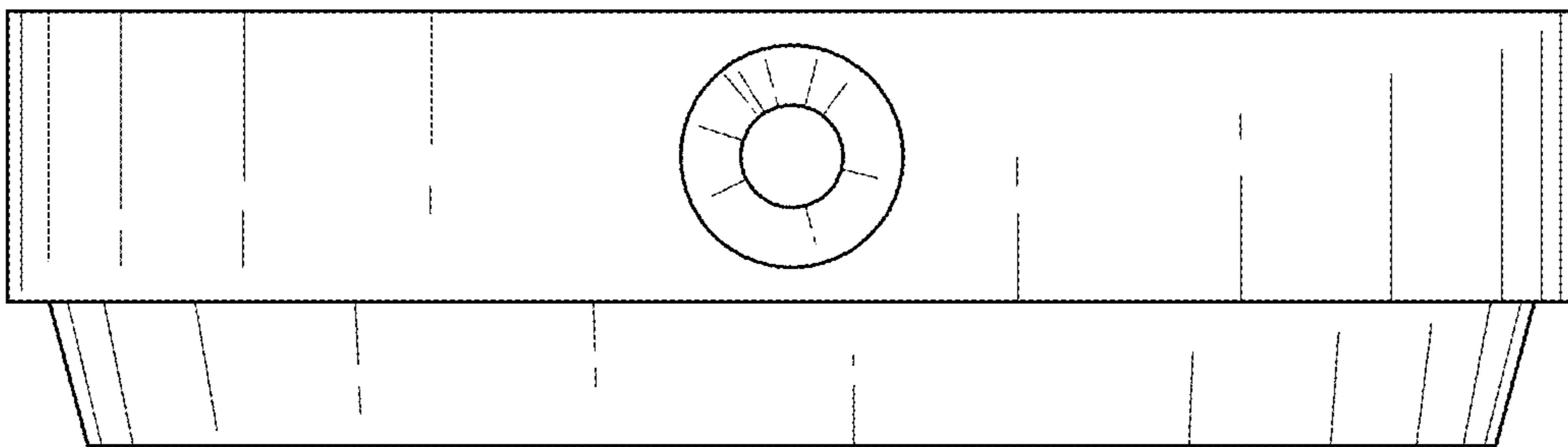


FIG. 4

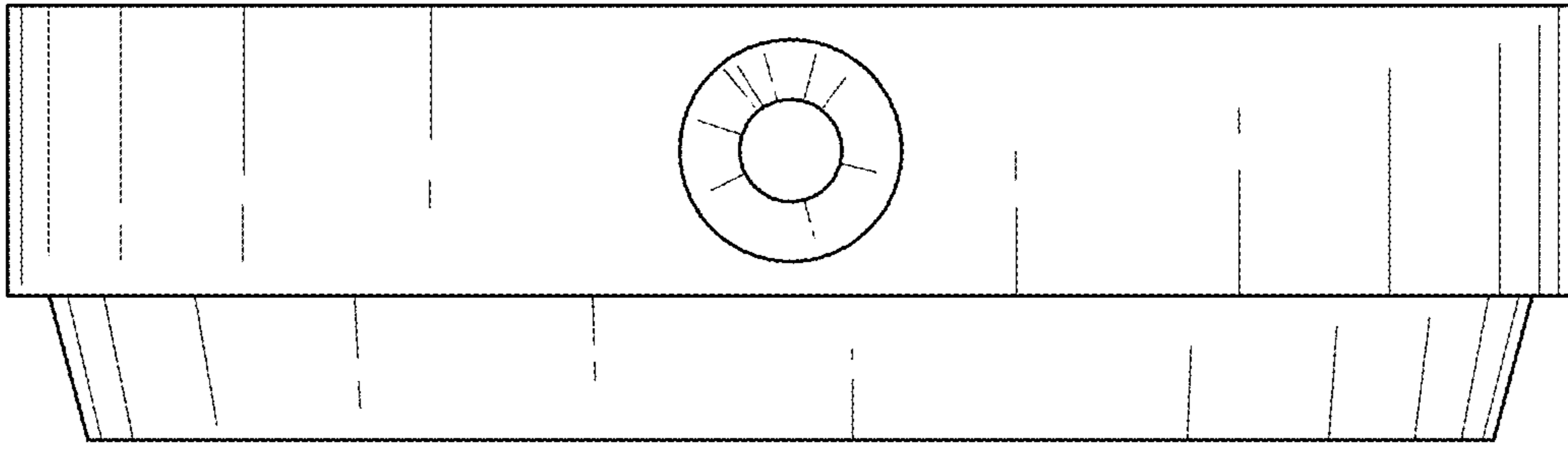


FIG. 5

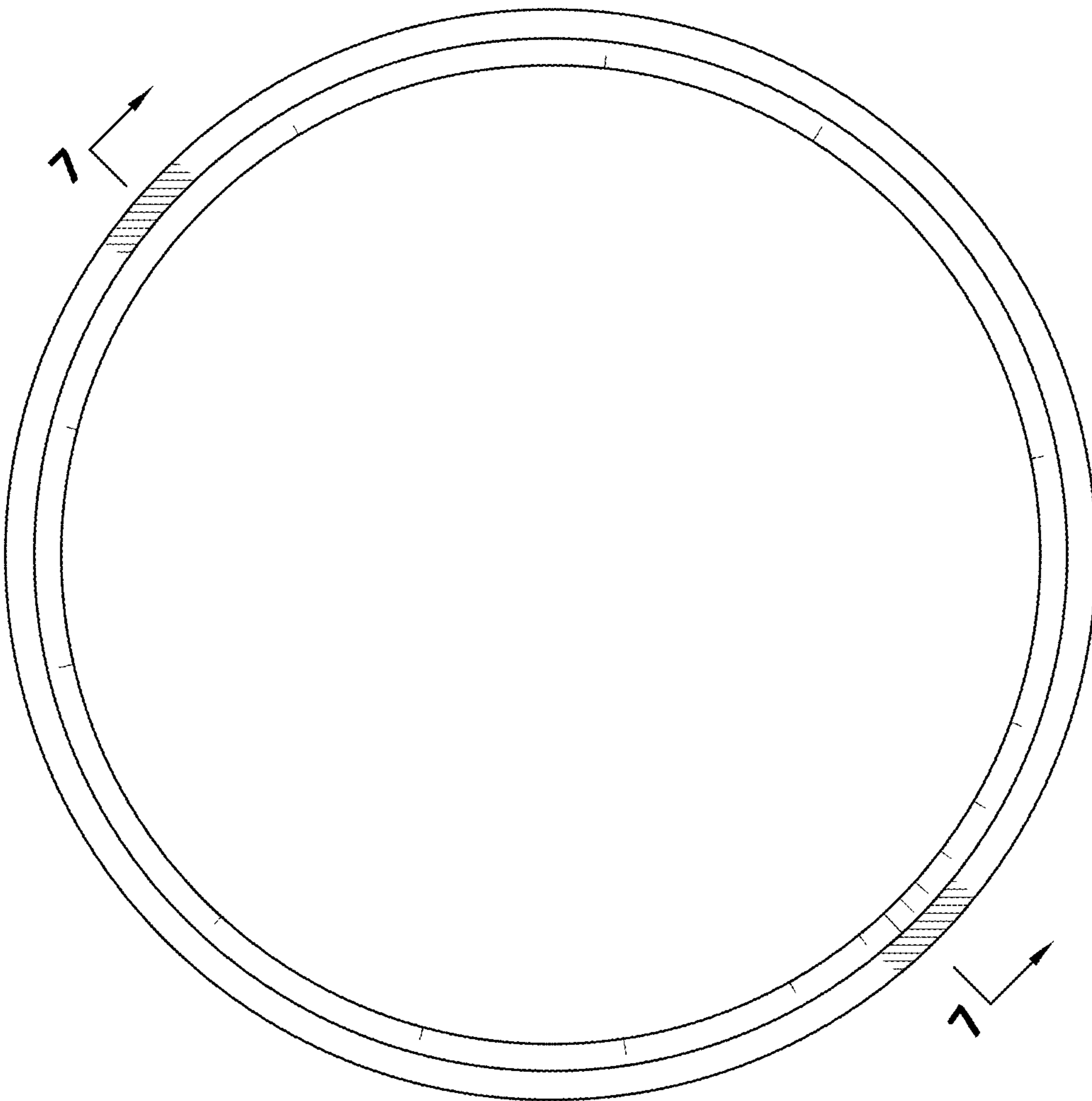


FIG. 6

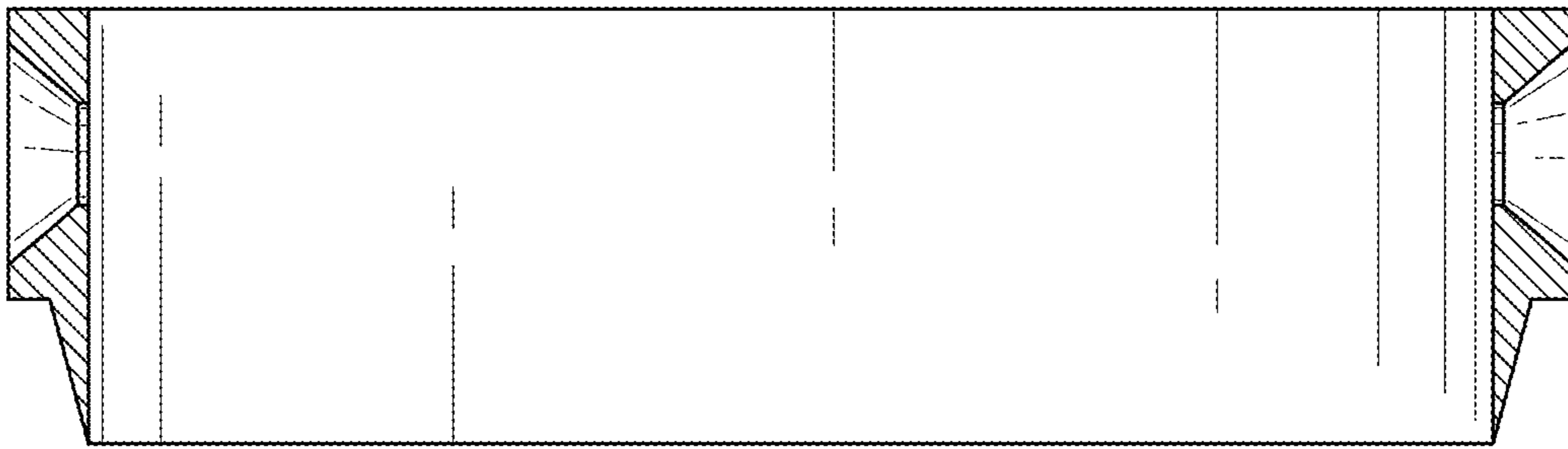


FIG. 7

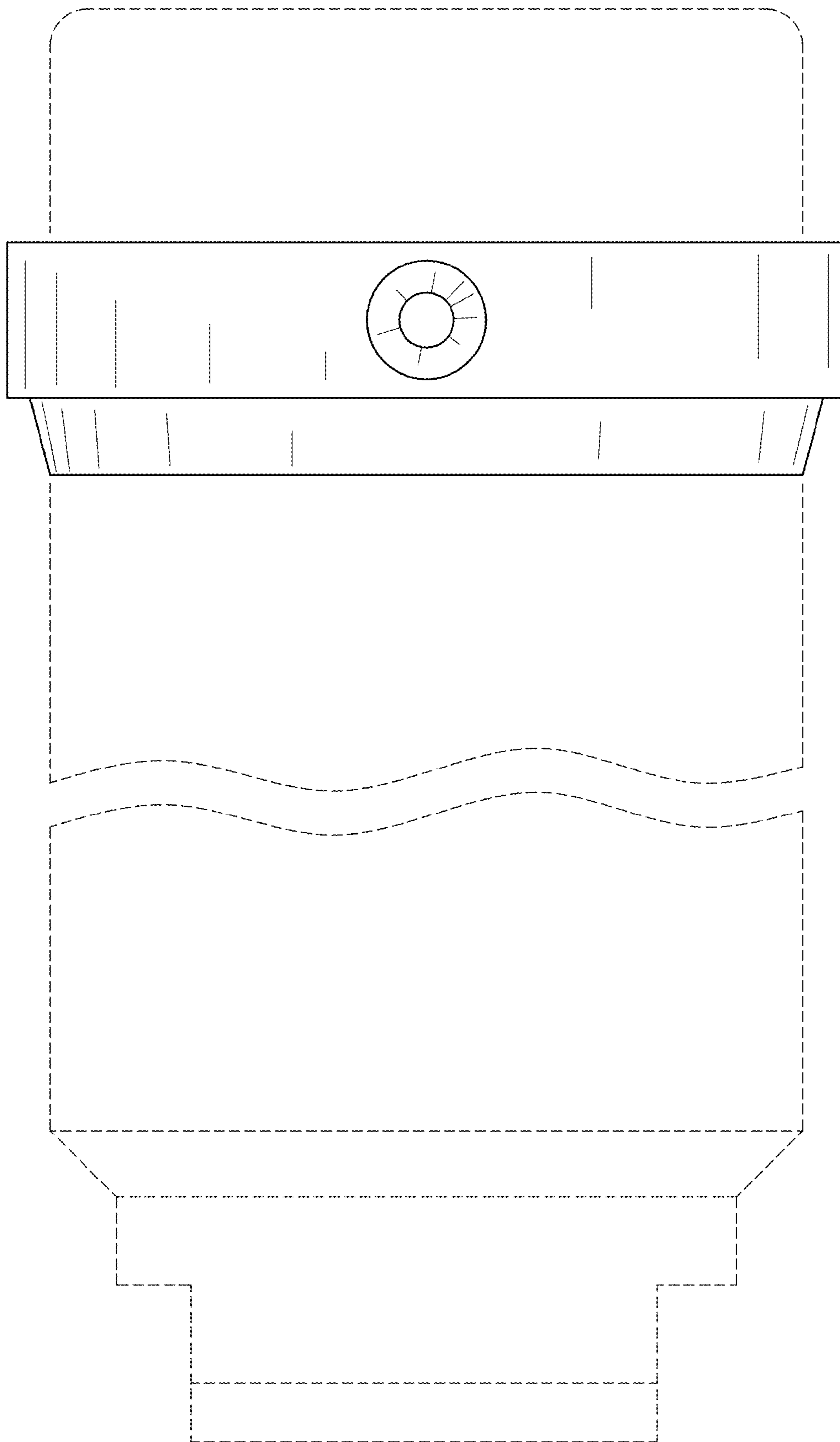


FIG. 8

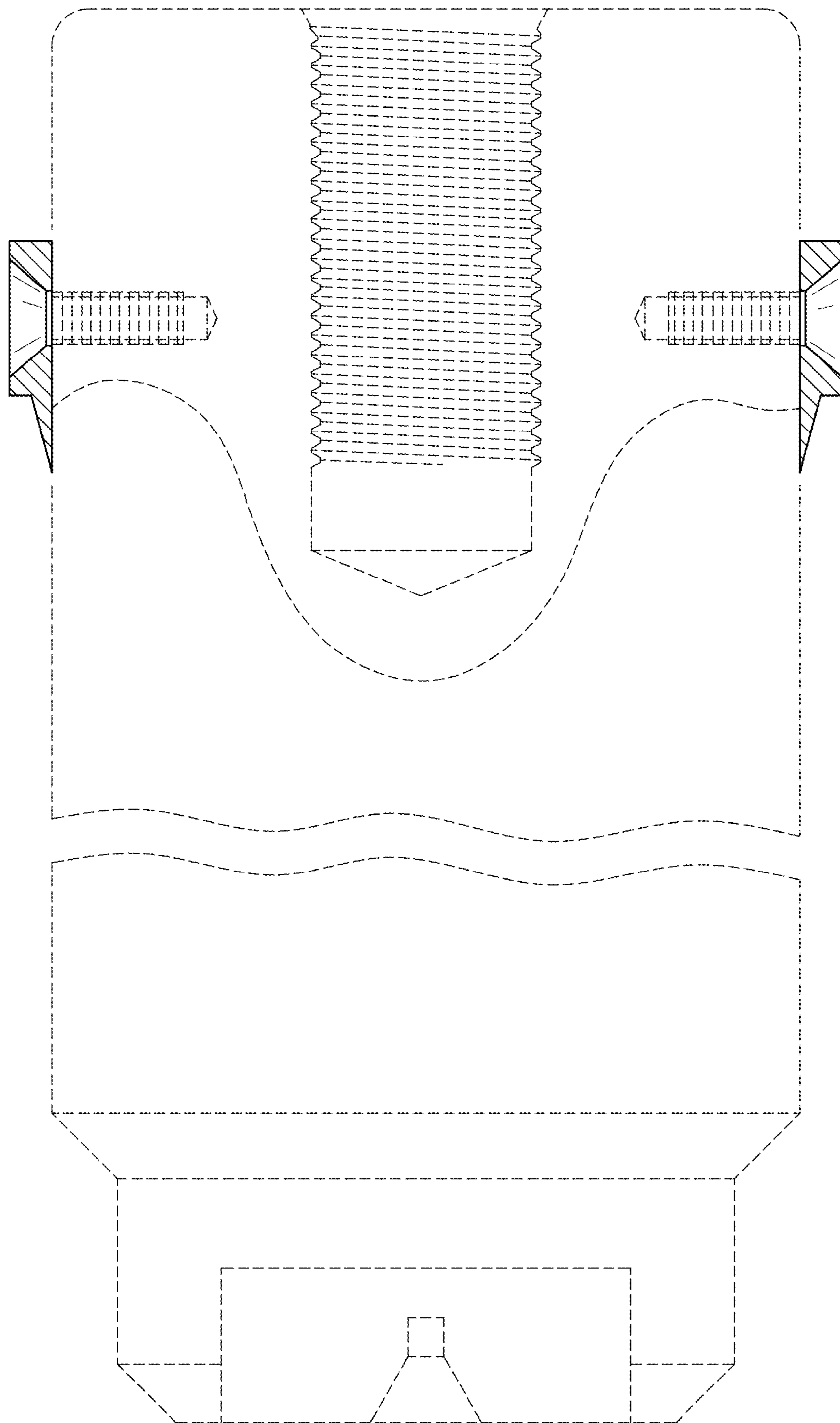


FIG. 9

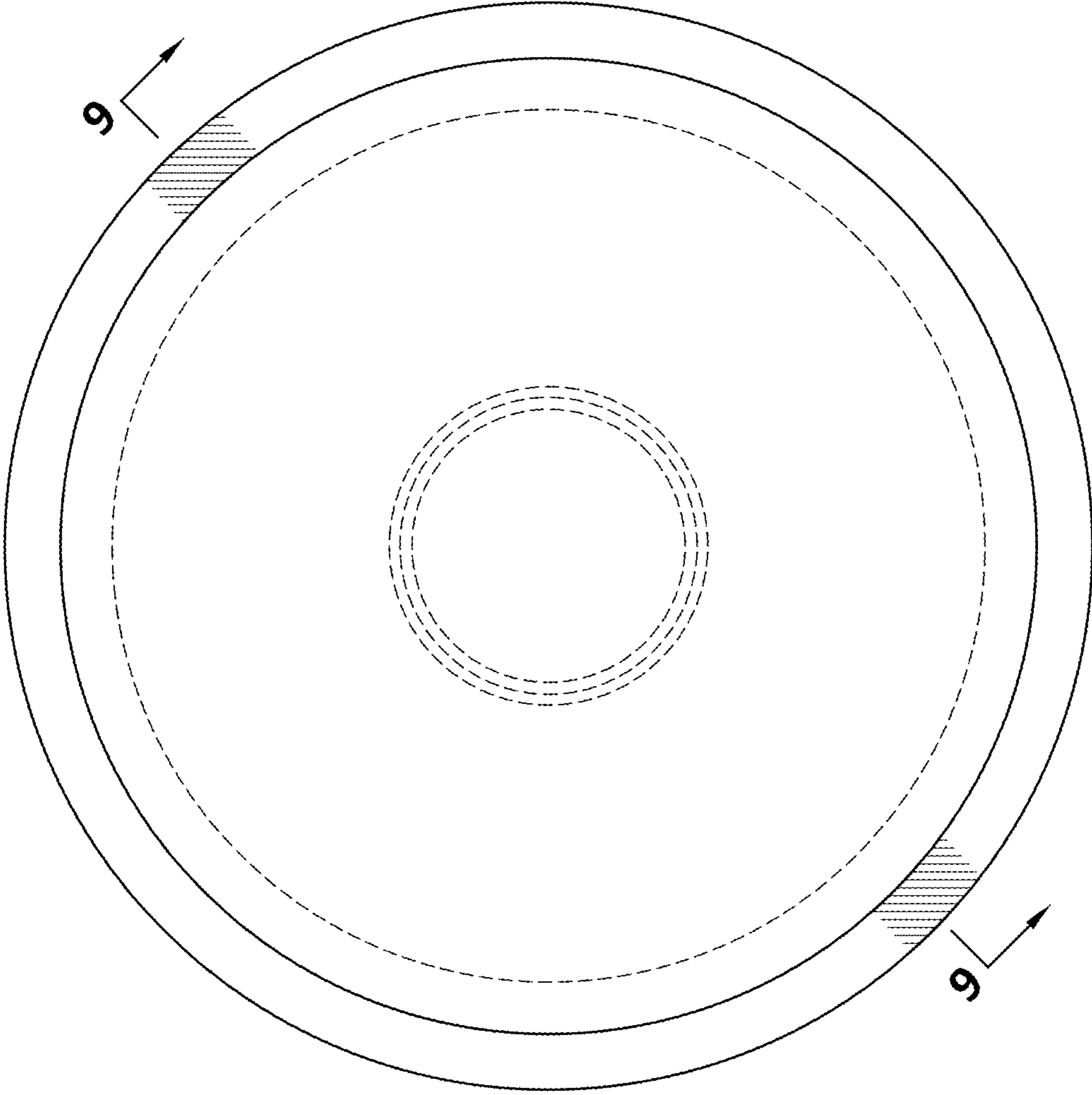


FIG. 10

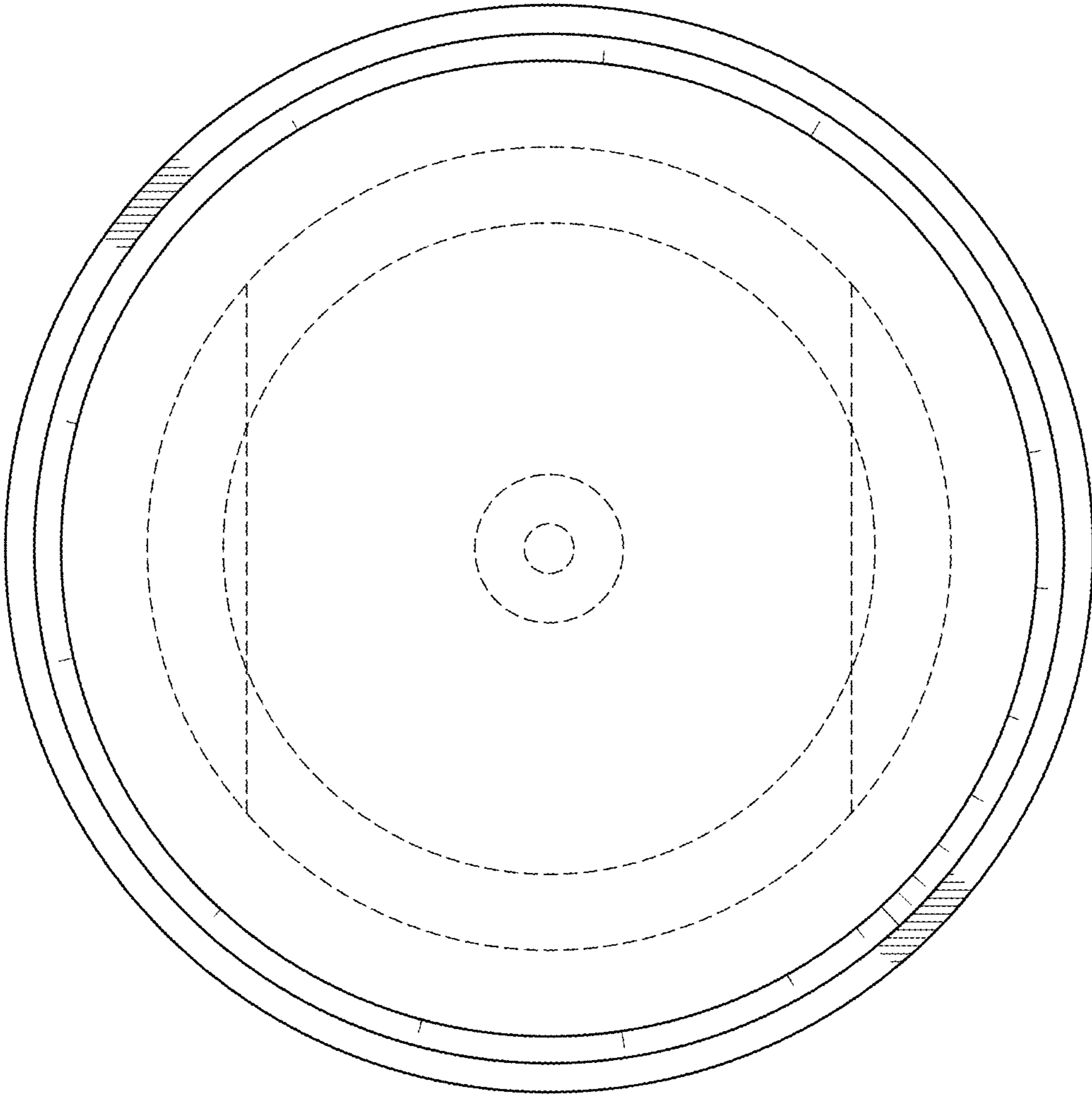


FIG. 11

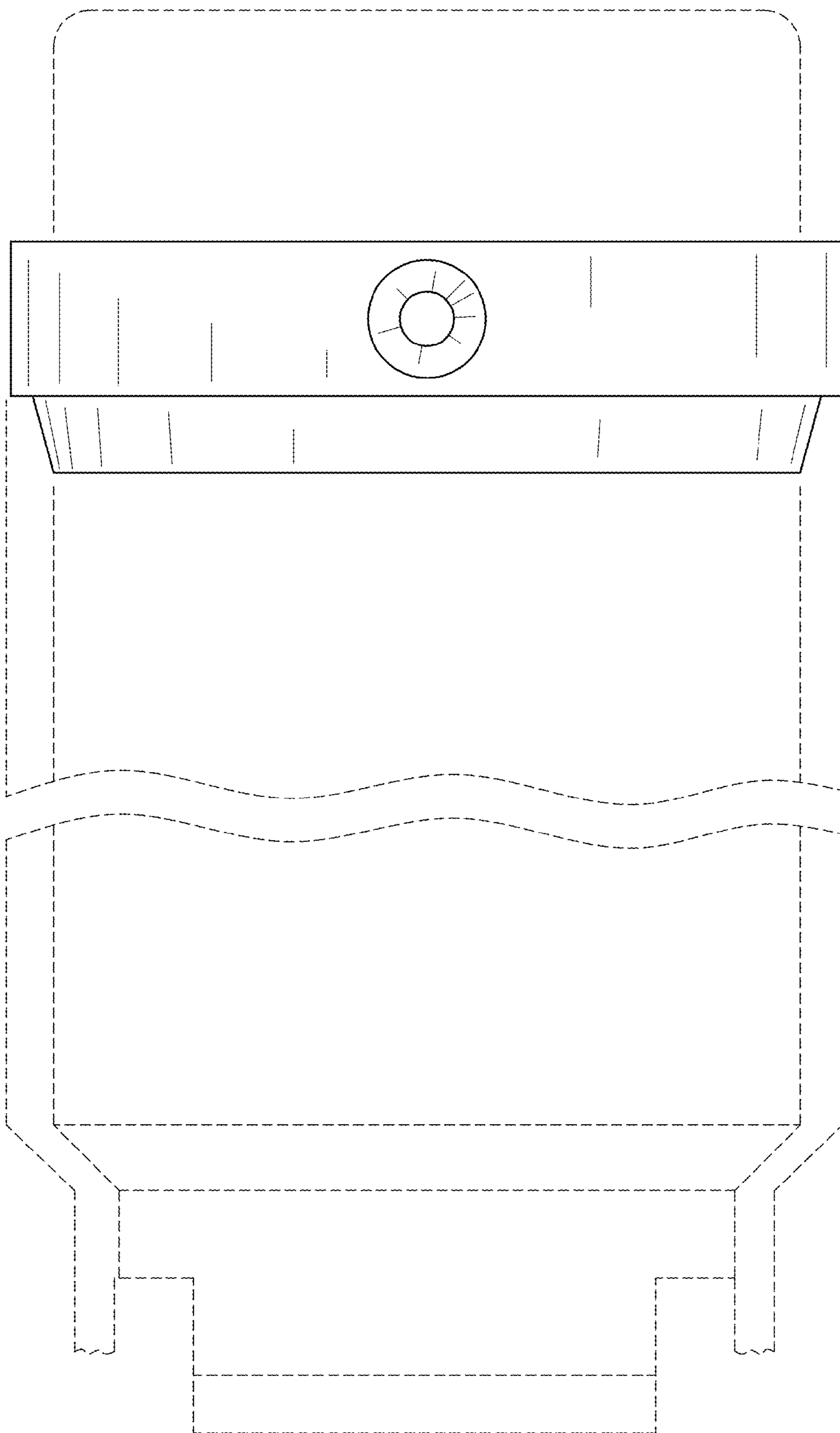


FIG. 12