



US00D987781S

(12) **United States Design Patent** (10) **Patent No.:** **US D987,781 S**
Beecher et al. (45) **Date of Patent:** **** May 30, 2023**

(54) **ACTUATOR**

(56) **References Cited**

(71) Applicant: **Motherson Innovations Company Limited**, London (GB)

U.S. PATENT DOCUMENTS

(72) Inventors: **Stephen Beecher**, Hampshire (GB);
Tom Harris, Hampshire (GB)

D470,865	S	*	2/2003	Wang	D15/9
D522,534	S	*	6/2006	Kawasaki	D15/7
D617,344	S	*	6/2010	Wang	D15/8
D768,265	S	*	10/2016	Liljeqvist	D23/233
D839,924	S	*	2/2019	Tuang	D15/9
D845,438	S	*	4/2019	Wintch	D23/233
D868,840	S	*	12/2019	Si	D15/7
D902,259	S	*	11/2020	Vintzel	D15/7
D914,061	S	*	3/2021	Del Aguila	D15/7
D920,384	S	*	5/2021	Chen	D15/7
2020/0384920	A1	*	12/2020	Harris	B60R 1/074
2022/0176878	A1	*	6/2022	Harris	B60R 1/074

(**) Term: **15 Years**

(21) Appl. No.: **35/511,854**

(22) Filed: **Nov. 9, 2020**

(80) **Hague Agreement Data**

Int. Filing Date: **Nov. 9, 2020**
Int. Reg. No.: **DM/211791**
Int. Reg. Date: **Nov. 9, 2020**
Int. Reg. Pub. Date: **May 14, 2021**

* cited by examiner

Primary Examiner — Mojtaba Tehrani
(74) *Attorney, Agent, or Firm* — Jones Day

(30) **Foreign Application Priority Data**

May 7, 2020 (DE) 402020100441.3

(51) **LOC (14) Cl.** **23-01**

(52) **U.S. Cl.**
USPC **D23/233**

(58) **Field of Classification Search**
USPC D15/7, 8, 9.1, 9.2, 9.3, 122, 144, 144.1,
D15/144.2; D8/300, 301, 302; D23/223,
D23/224, 226, 233, 235, 236; D24/111
CPC F04B 41/00; F04B 41/02-06; F04B 31/00;
F04B 35/00; F04B 53/92; F04B 1/005;
F04B 23/00; F02M 37/04; F02M 37/14;
B23K 9/32; B23K 9/028; B23K 9/1006;
B23K 9/1735; B23K 11/28; B23K 37/053
See application file for complete search history.

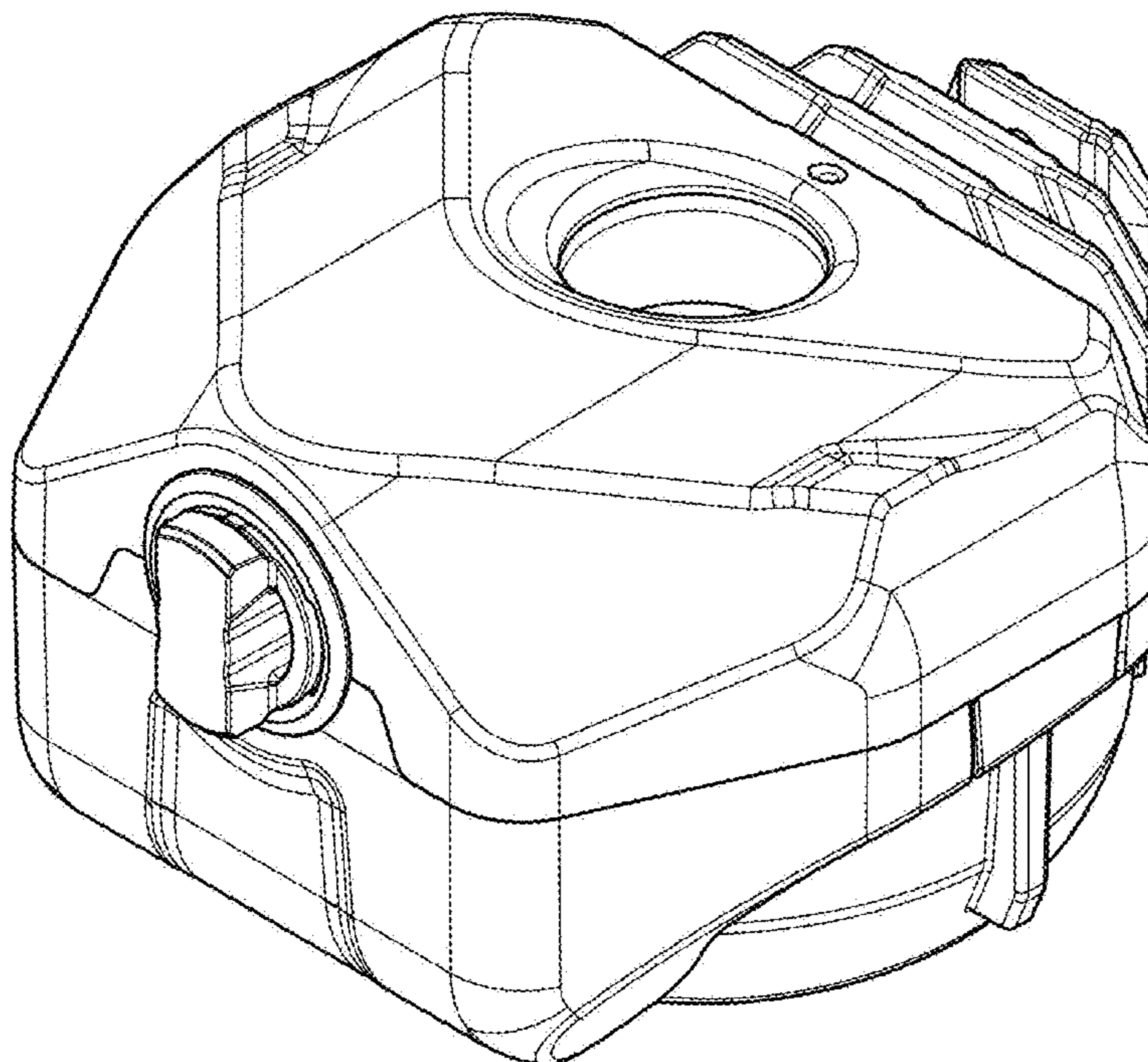
(57) **CLAIM**

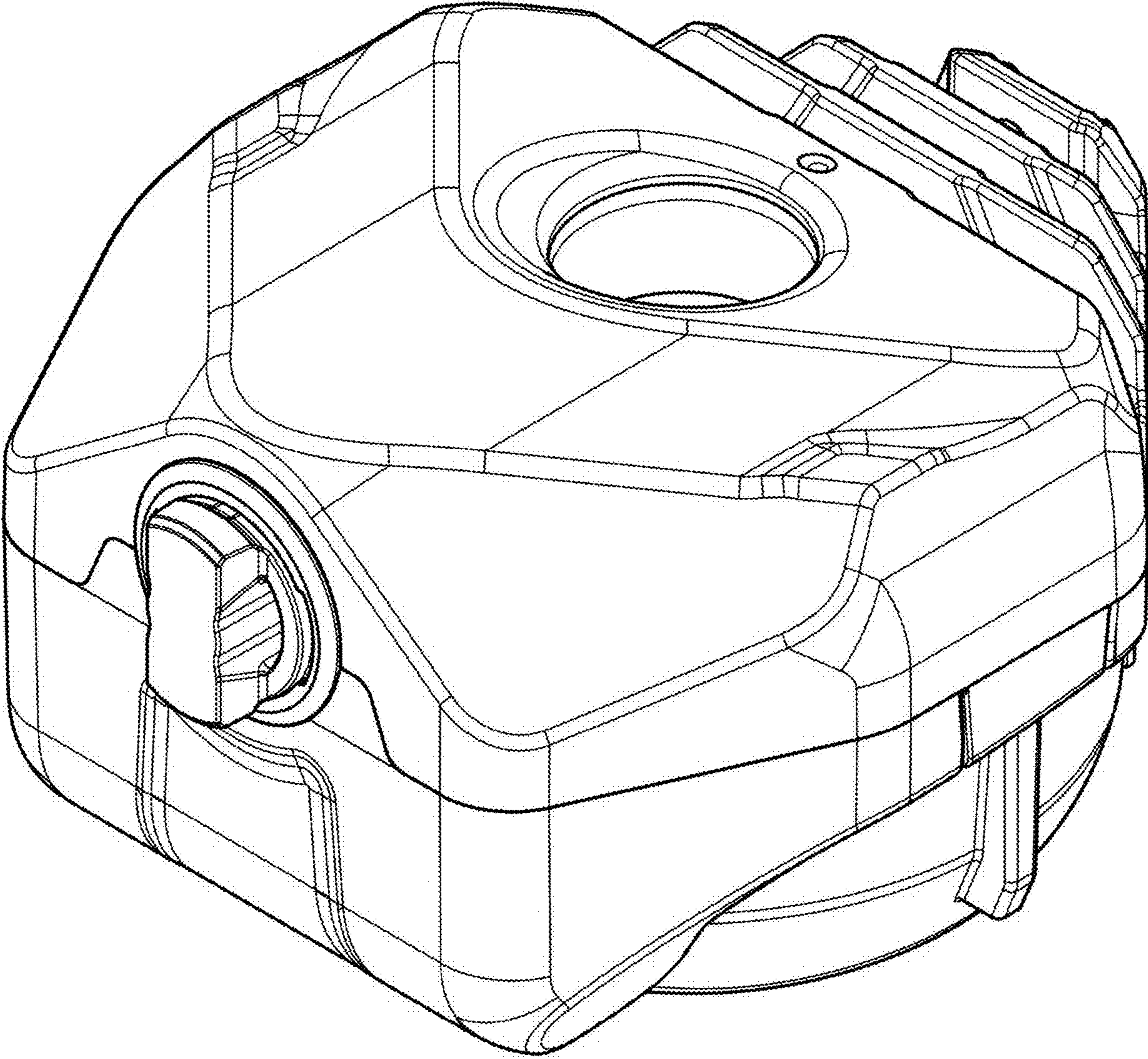
The ornamental design for an actuator, as shown and described.

DESCRIPTION

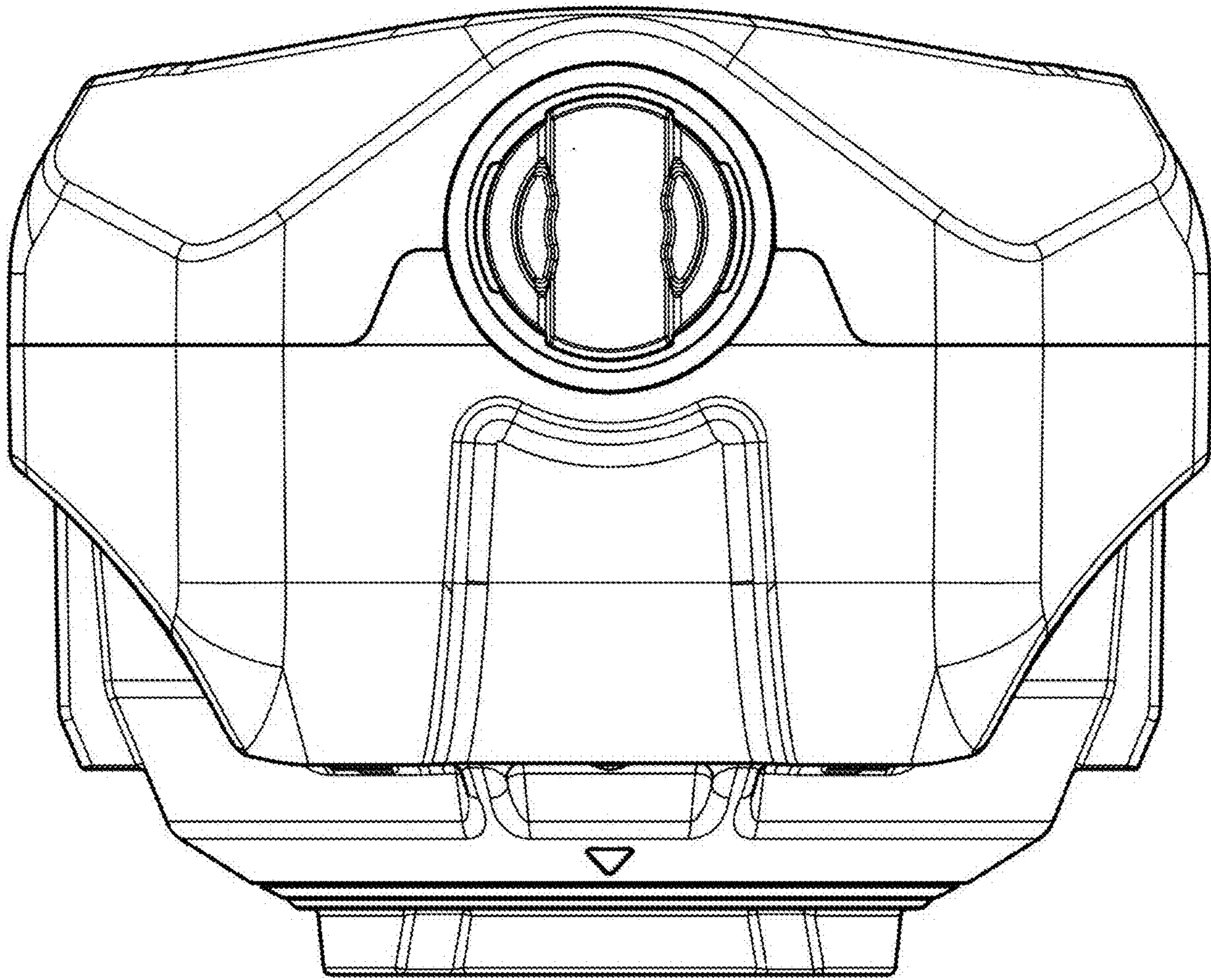
Fig. 1.1 is a perspective view of an actuator;
Fig. 1.2 its front view;
Fig. 1.3 its right side view;
Fig. 1.4 its left side view;
Fig. 1.5 its top view;
Fig. 1.6 its rear view; and
Fig. 1.7 its bottom view.
The broken lines in the drawings illustrate portions of the actuator which form no part of the claimed design.

1 Claim, 7 Drawing Sheets

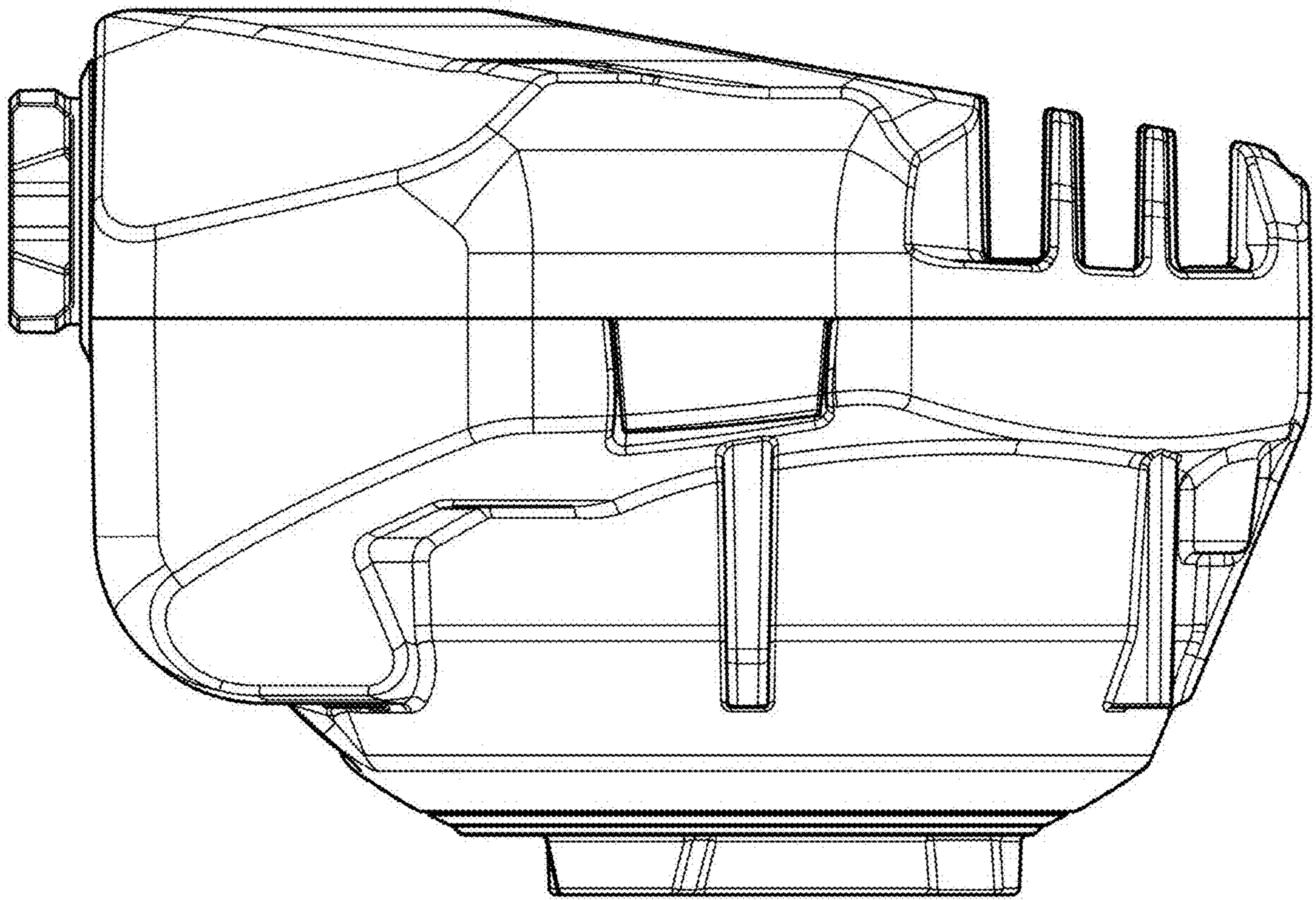




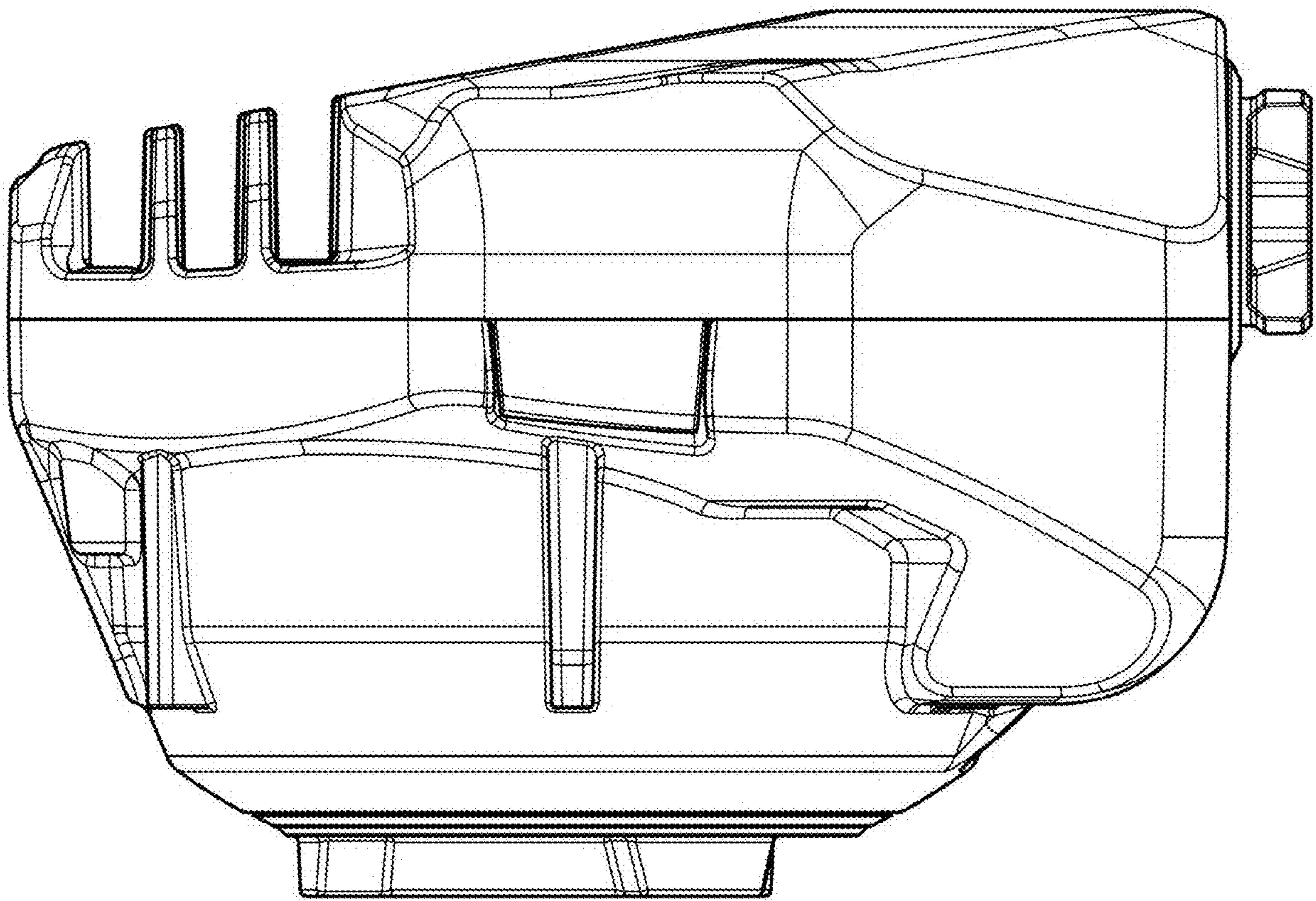
1.1



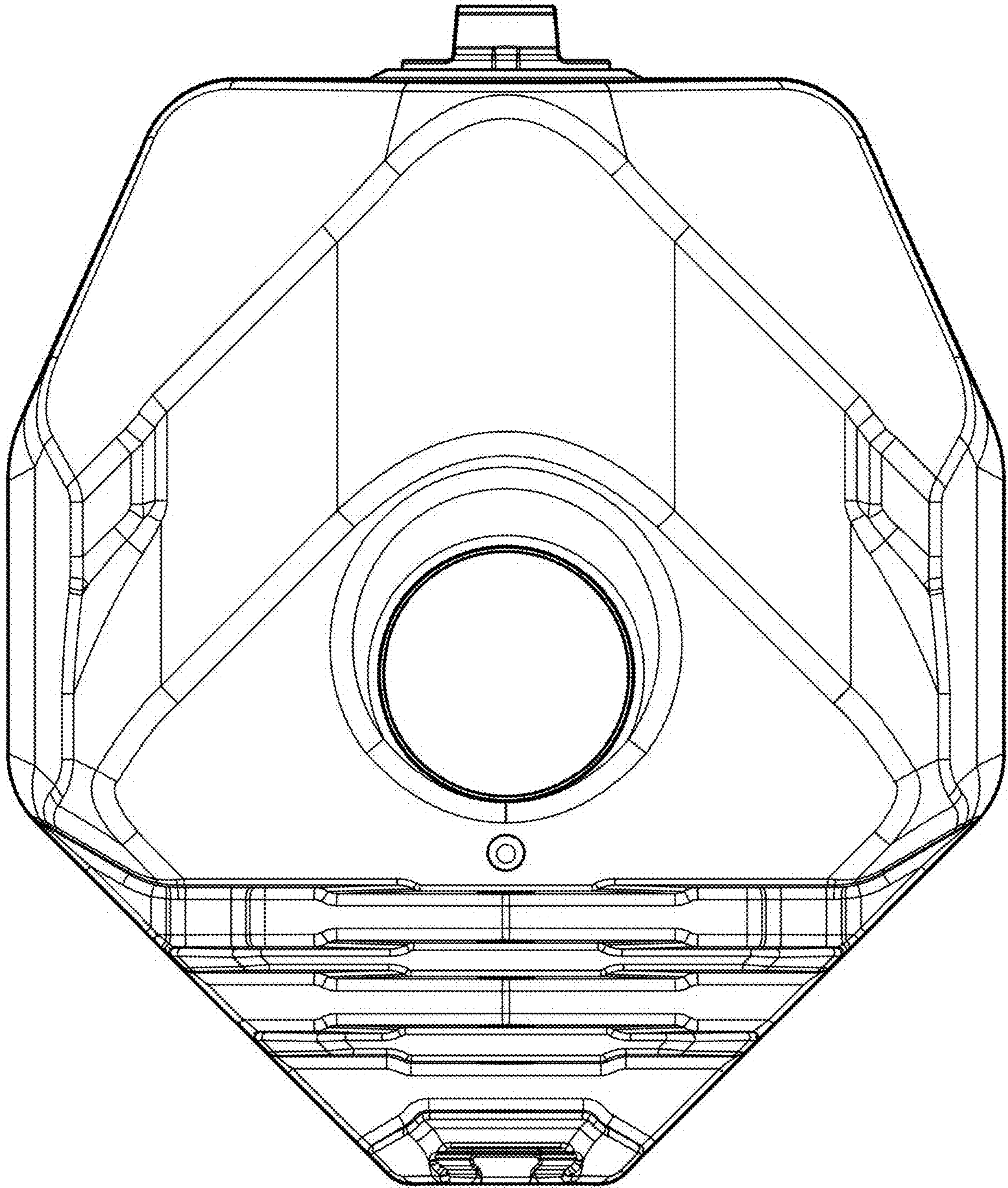
1.2



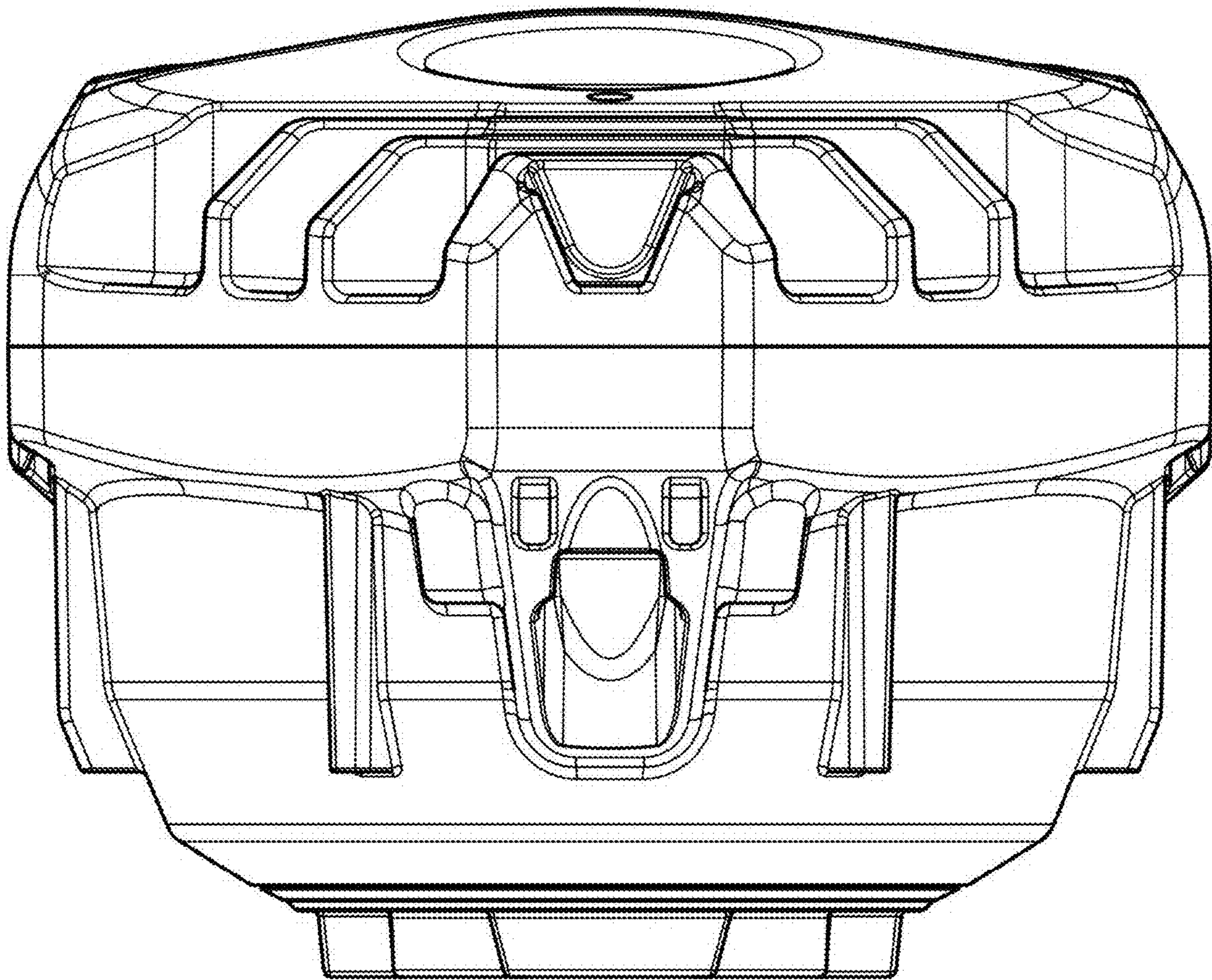
1.3



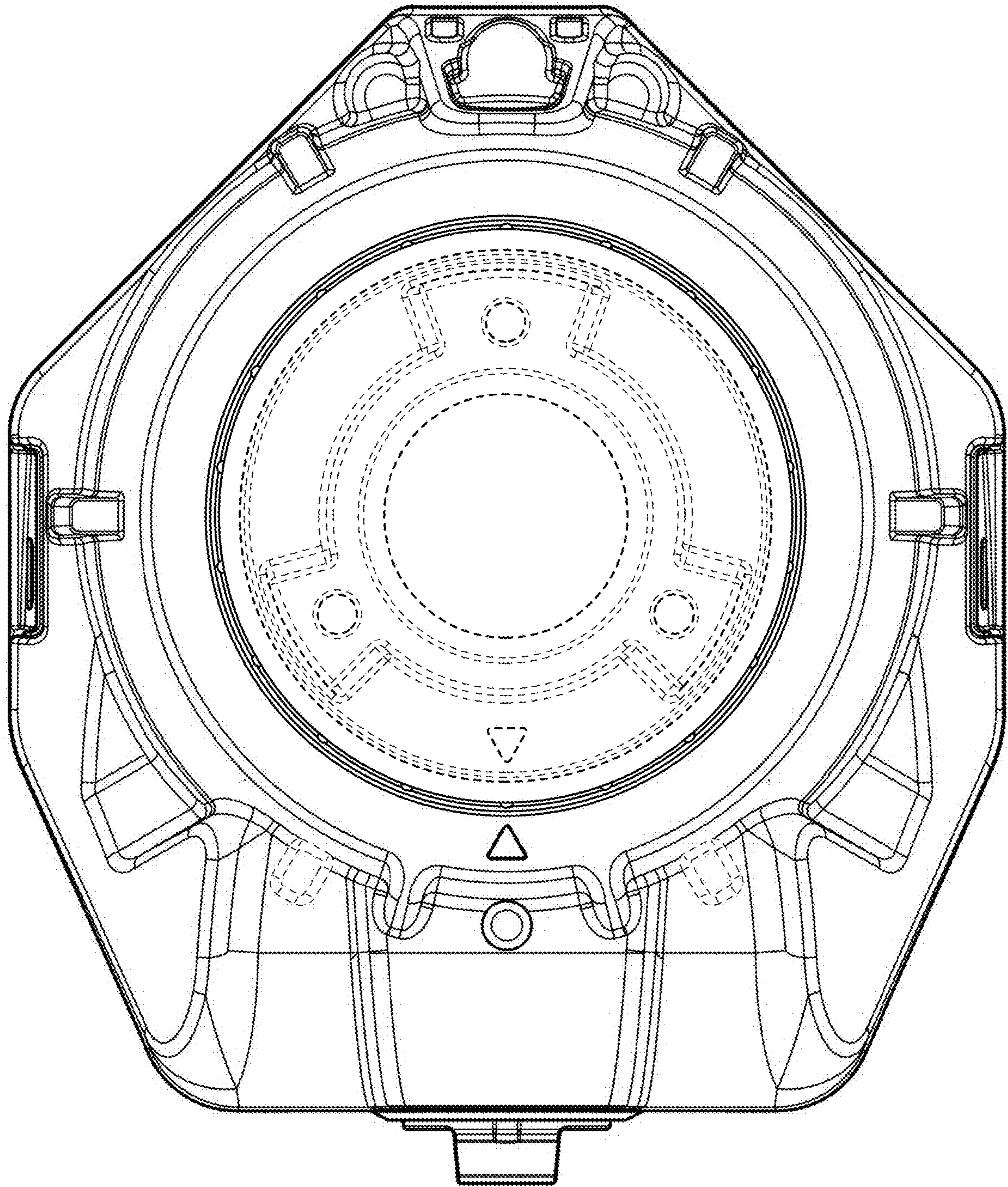
1.4



1.5



1.6



1.7