



US00D987780S

(12) **United States Design Patent** (10) **Patent No.:** **US D987,780 S**
Mazz et al. (45) **Date of Patent:** **** May 30, 2023**

(54) **HANDSHOWER**

(71) Applicant: **Kohler Co.**, Kohler, WI (US)
(72) Inventors: **Margaret C. Mazz**, Atlanta, GA (US);
Yutong Wu, Sheboygan, WI (US)
(73) Assignee: **KOHLER CO.**, Kohler, WI (US)
(**) Term: **15 Years**

(21) Appl. No.: **29/764,695**
(22) Filed: **Dec. 31, 2020**
(51) **LOC (14) Cl.** **23-01**
(52) **U.S. Cl.**
USPC **D23/213**
(58) **Field of Classification Search**
USPC D23/213, 214, 215, 221-222, 223, 224,
D23/226, 229, 230
CPC A61H 9/0021; A61H 33/00; B05B 1/00;
B05B 1/14; B05B 1/185; B05B 1/08;
B05B 1/02; B05B 1/26; B05B 12/002;
B05B 1/18; B05B 9/01
See application file for complete search history.

(56) **References Cited**

U.S. PATENT DOCUMENTS

D328,944 S *	8/1992	Robbins	D23/213
D385,333 S *	10/1997	Caroen	D23/304
D440,630 S *	4/2001	Gottwald	D23/223
D452,897 S *	1/2002	Gillette	D23/223
D454,620 S *	3/2002	Starck	D23/283
D470,913 S *	2/2003	Petrovic	D23/228
D497,974 S *	11/2004	Haug	D23/223
D501,242 S	1/2005	Blomstrom		
D502,760 S *	3/2005	Zieger	D23/223
D503,774 S *	4/2005	Zieger	D23/223
D513,784 S *	1/2006	Tsang	D23/223
D526,384 S *	8/2006	Wu	D23/223
D528,631 S *	9/2006	Gillette	D23/223

(Continued)

OTHER PUBLICATIONS

Pop Dual Shower Head Combo, Oct. 29, 2020, amazon.com, Nov. 5, 2021, URL: <https://www.amazon.com/dp/B08M61N3XB> (Year: 2020).*

(Continued)

Primary Examiner — Keith J Wilson

(74) *Attorney, Agent, or Firm* — Foley & Lardner LLP

(57) **CLAIM**

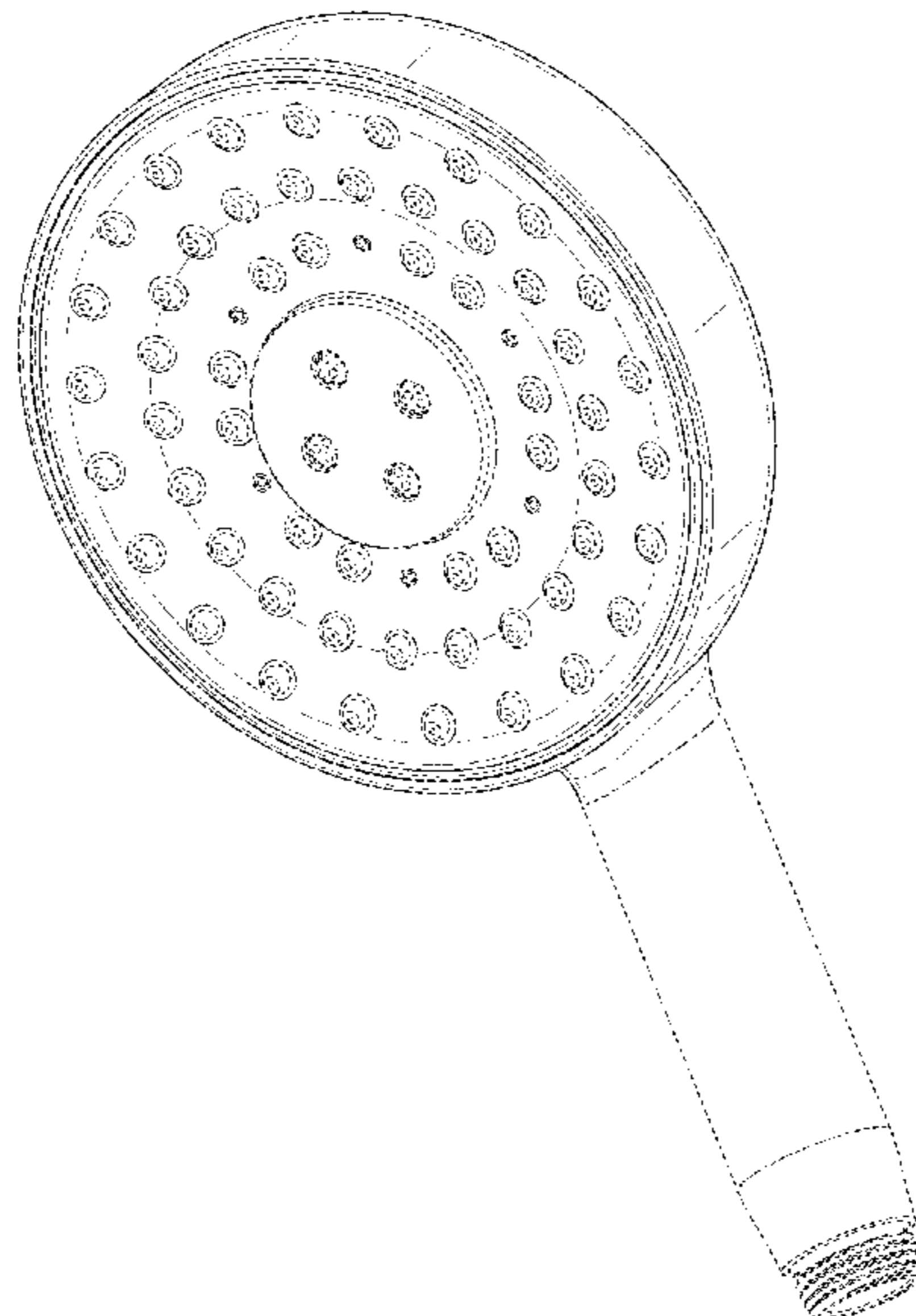
We claim the ornamental design for a handshower, as shown and described.

DESCRIPTION

FIG. 1 is a perspective view of the claimed design; FIG. 2 is a top view of the claimed design shown in FIG. 1; FIG. 3 is a bottom view of the claimed design shown in FIG. 1; FIG. 4 is a side view of the claimed design shown in FIG. 1; FIG. 5 is another side view of the claimed design shown in FIG. 1; FIG. 6 is a front view of the claimed design shown in FIG. 1; FIG. 7 is a rear view of the claimed design shown in FIG. 1; and, FIG. 8 is another perspective view of the claimed design shown in FIG. 1.

The ornamental design that is claimed is shown in the drawings as solid lines and surfaces having surface shading: The broken lines in the drawings are for illustrative purposes only and form no part of the claimed design. For example, broken lines formed by equal length dashes show unclaimed portions of the design. Broken lines formed of unequal length dashes (i.e., dash-dot) show boundaries between either claimed and unclaimed portions of the design or between unclaimed and unclaimed portions of the design.

1 Claim, 7 Drawing Sheets



(56)

References Cited

U.S. PATENT DOCUMENTS

7,191,475 B1 * 3/2007 Marcotte E03C 1/0408
4/615
D567,904 S * 4/2008 Schonherr D23/228
D591,396 S * 4/2009 Lobermeier D23/223
D609,777 S * 2/2010 Wu D23/223
D610,231 S * 2/2010 Wu D23/223
D621,002 S * 8/2010 Yongyan D23/228
D629,867 S * 12/2010 Rexach D23/213
D629,868 S 12/2010 Barnard
D638,515 S * 5/2011 Farley D23/209
D639,391 S * 6/2011 Yongyan D23/228
D654,983 S * 2/2012 Schoenherr D23/223
D666,010 S * 8/2012 Farley D6/309
D667,081 S * 9/2012 Yoo D23/229
D698,896 S * 2/2014 Tsai D23/213
D713,003 S 9/2014 Sandee
D714,421 S * 9/2014 Flowers D23/223
D737,929 S 9/2015 Rexach
D737,930 S 9/2015 Rexach
D737,932 S * 9/2015 Nikles D23/223
D753,267 S * 4/2016 Byron D23/229
D758,539 S * 6/2016 Nikles D23/229
9,387,495 B2 * 7/2016 Schumacher B05B 1/18
D765,820 S * 9/2016 Schneider B05B 1/30
D23/213
D777,881 S * 1/2017 Chen D23/229
9,677,253 B1 * 6/2017 Corneliussen E03C 1/0408
D841,125 S * 2/2019 Lai D23/223
D847,302 S * 4/2019 Cocks D23/223
D895,768 S * 9/2020 Schoenherr D23/223
D898,867 S * 10/2020 Yan D23/223
D904,561 S * 12/2020 Zhu D23/213

D919,746 S * 5/2021 Lin D23/223
D924,359 S * 7/2021 Schoenherr D23/223
D924,360 S * 7/2021 Schoenherr D23/223
D972,083 S * 12/2022 Kim D23/223
2008/0272203 A1 * 11/2008 Leber E03C 1/021
239/101
2009/0124945 A1 * 5/2009 Reich A61C 17/032
601/165
2012/0031511 A1 * 2/2012 Farley E03C 1/0408
137/544
2019/0365160 A1 * 12/2019 Hawkins B05B 1/16
2020/0078802 A1 * 3/2020 Chung B05B 1/16

OTHER PUBLICATIONS

Waterpik High Pressure Shower Head, Aug. 9, 2018, amazon.com, Nov. 5, 2021, URL: <https://www.amazon.com/Waterpik-XET-633-643-Pressure-PowerPulse-Combination/dp/B07GBN8NCK/> (Year: 2018).*

AquaStar Elite 3-in-1 High-Pressure 48-mode Spa Shower, Nov. 20, 2017, amazon.com, URL: <https://www.amazon.com/AquaStar-High-Pressure-Antimicrobial-Anti-Clog-Extra-Long/dp/B0776ZZJC8/> (Year: 2017).*

Bathroomsbathrooms.com, Hand Shower on Rail Sleek Round Design 5 Function Chrome Finish (510) [visited Jan. 18, 2022]. Internet URL: <https://www.bathroomsbathrooms.com.au/p>Showers/Hand-Shower-On-Rail/Hand-Shower-on-Rail-with-Soap-Dish-Sleek-Round-Des/OS90HM>.

Tuckplumbtec.com, Hansgrohe Raindance Select S120 Hand Shower [visited Jan. 18, 2022]. Internet URL: <https://www.tuckplumbtec.com.au/bathroom-products/bathroom-spare-parts/shower-spare-parts/893-hansgrohe-raindance-select-s120-hand-shower.html>.

* cited by examiner

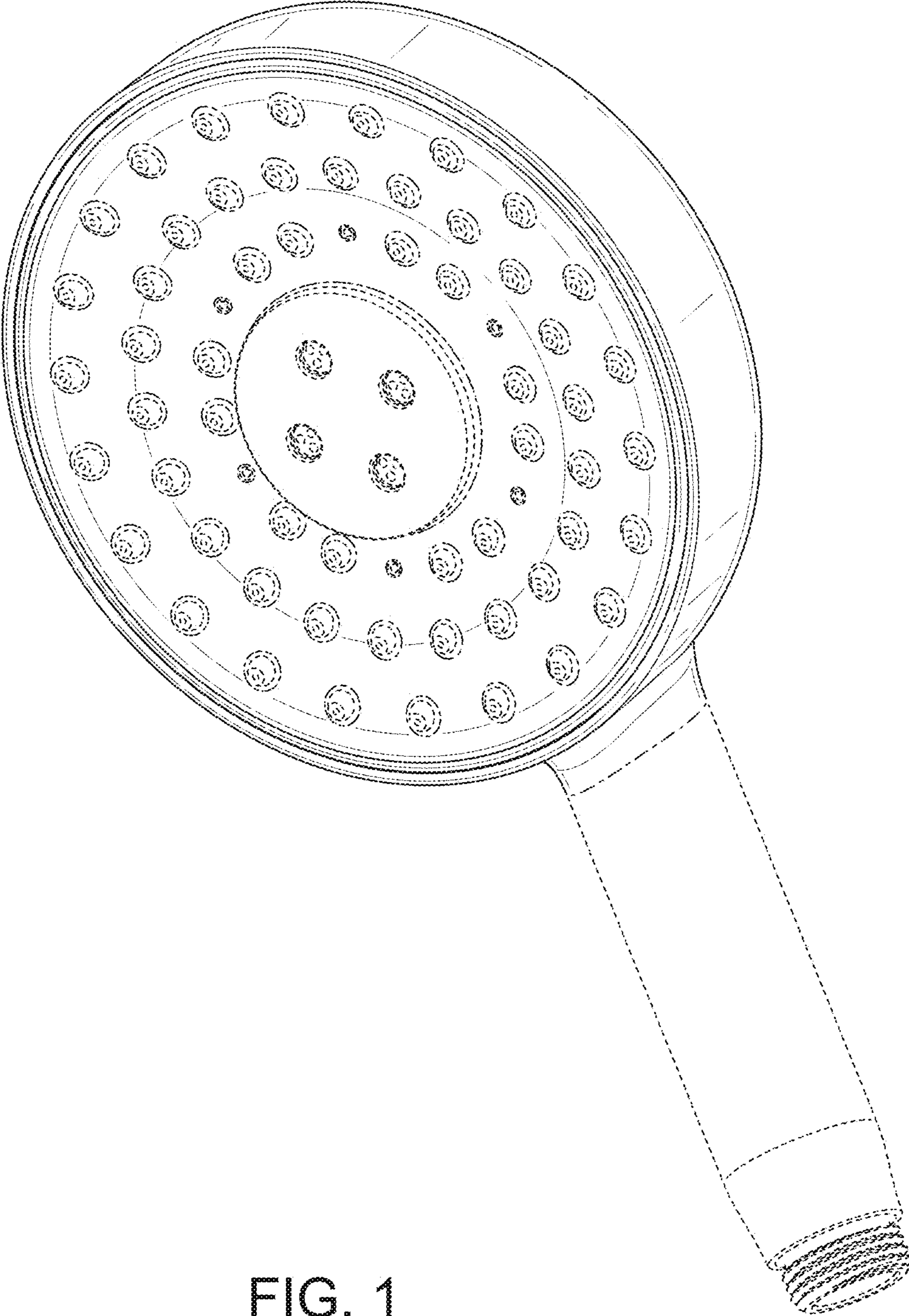


FIG. 1

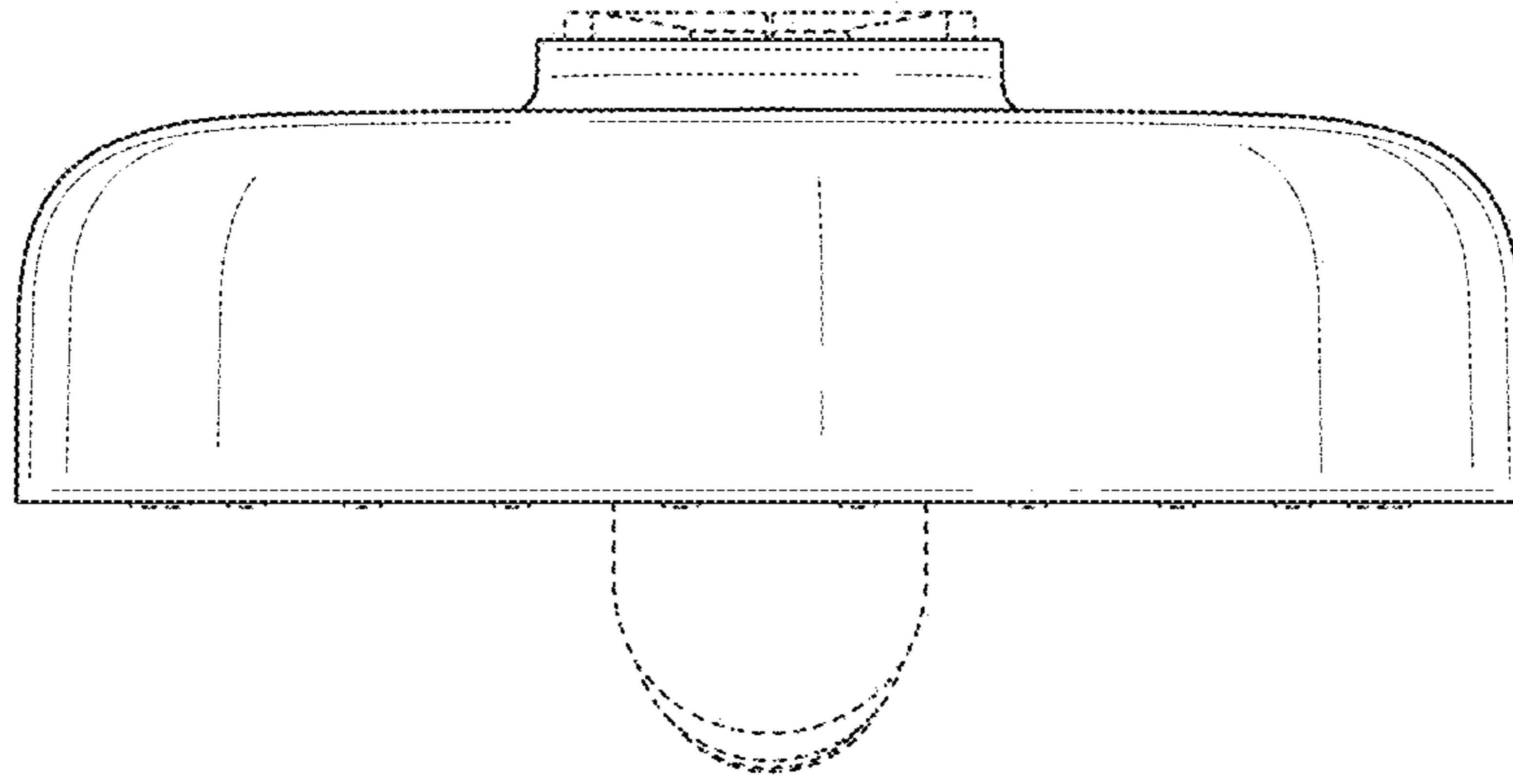


FIG. 2

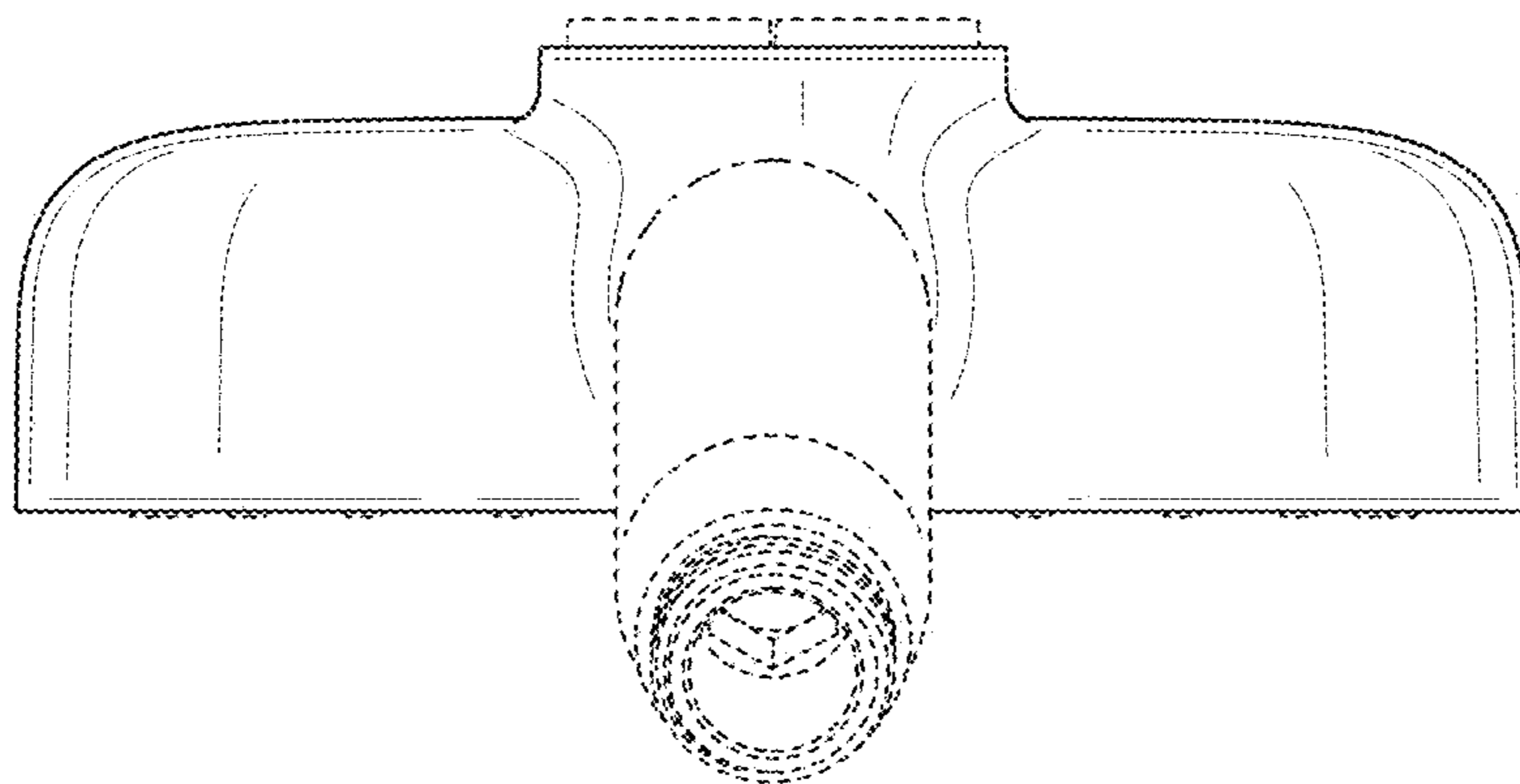


FIG. 3

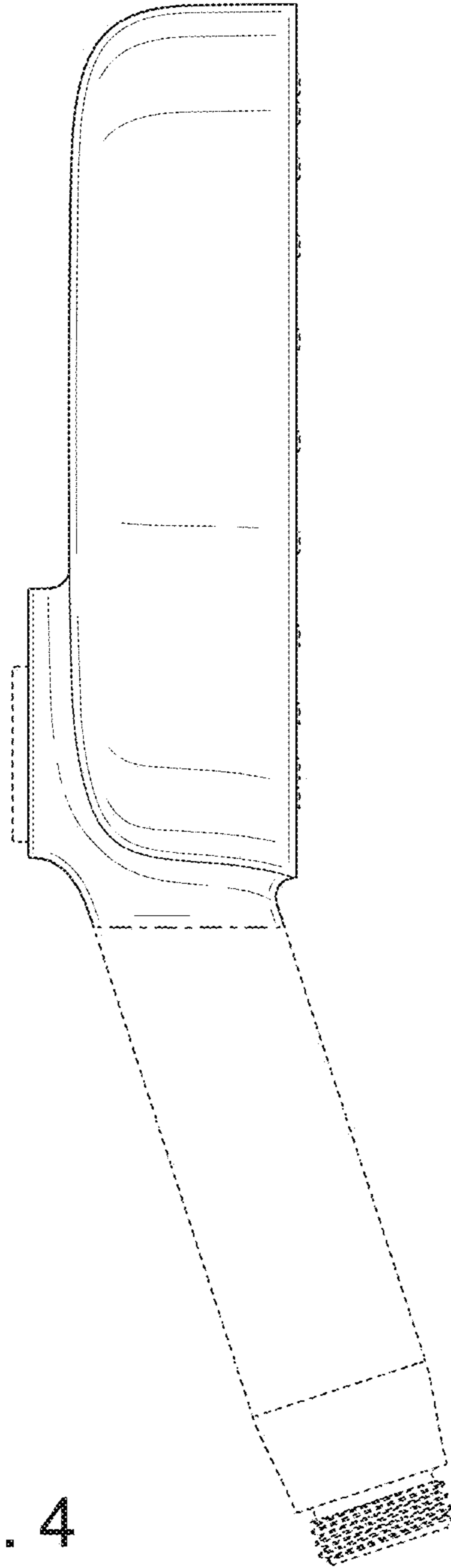


FIG. 4

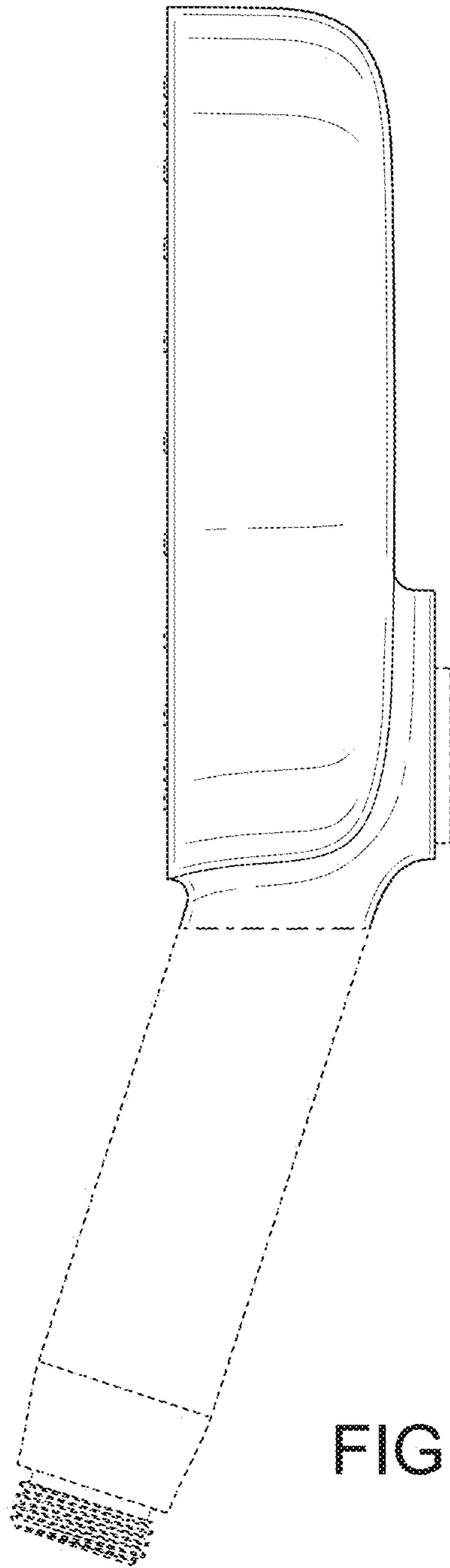


FIG. 5

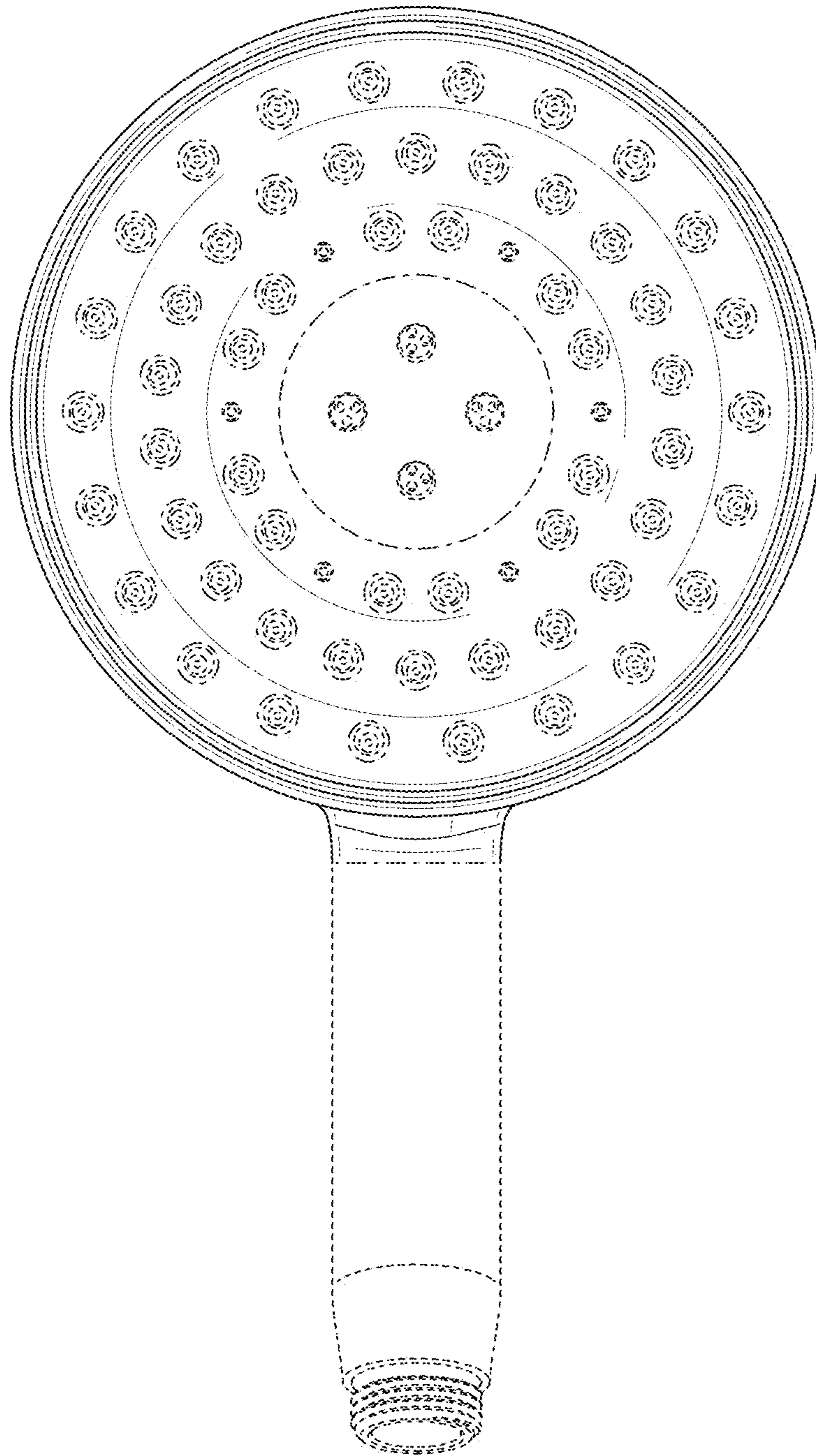


FIG. 6

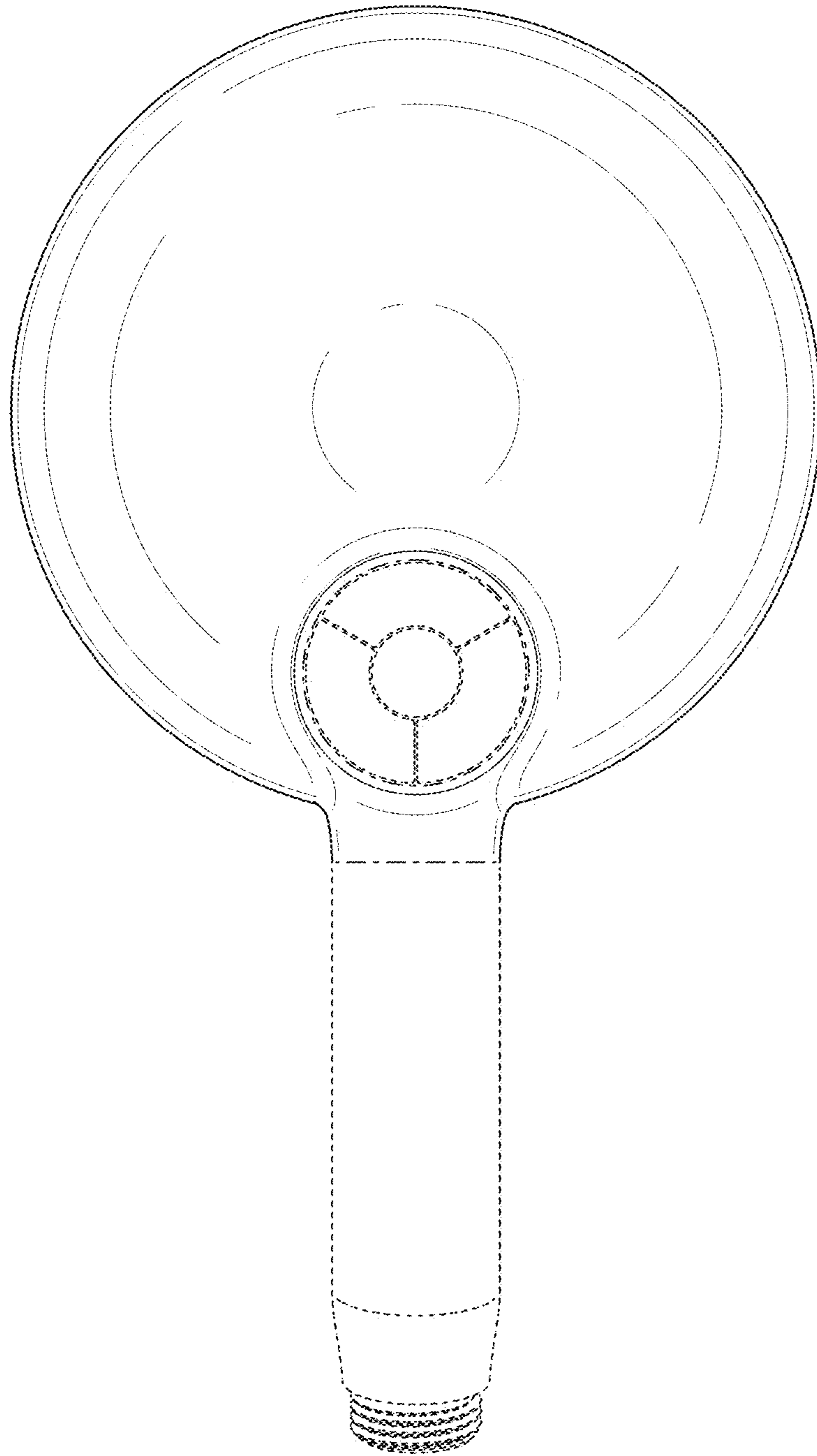


FIG. 7

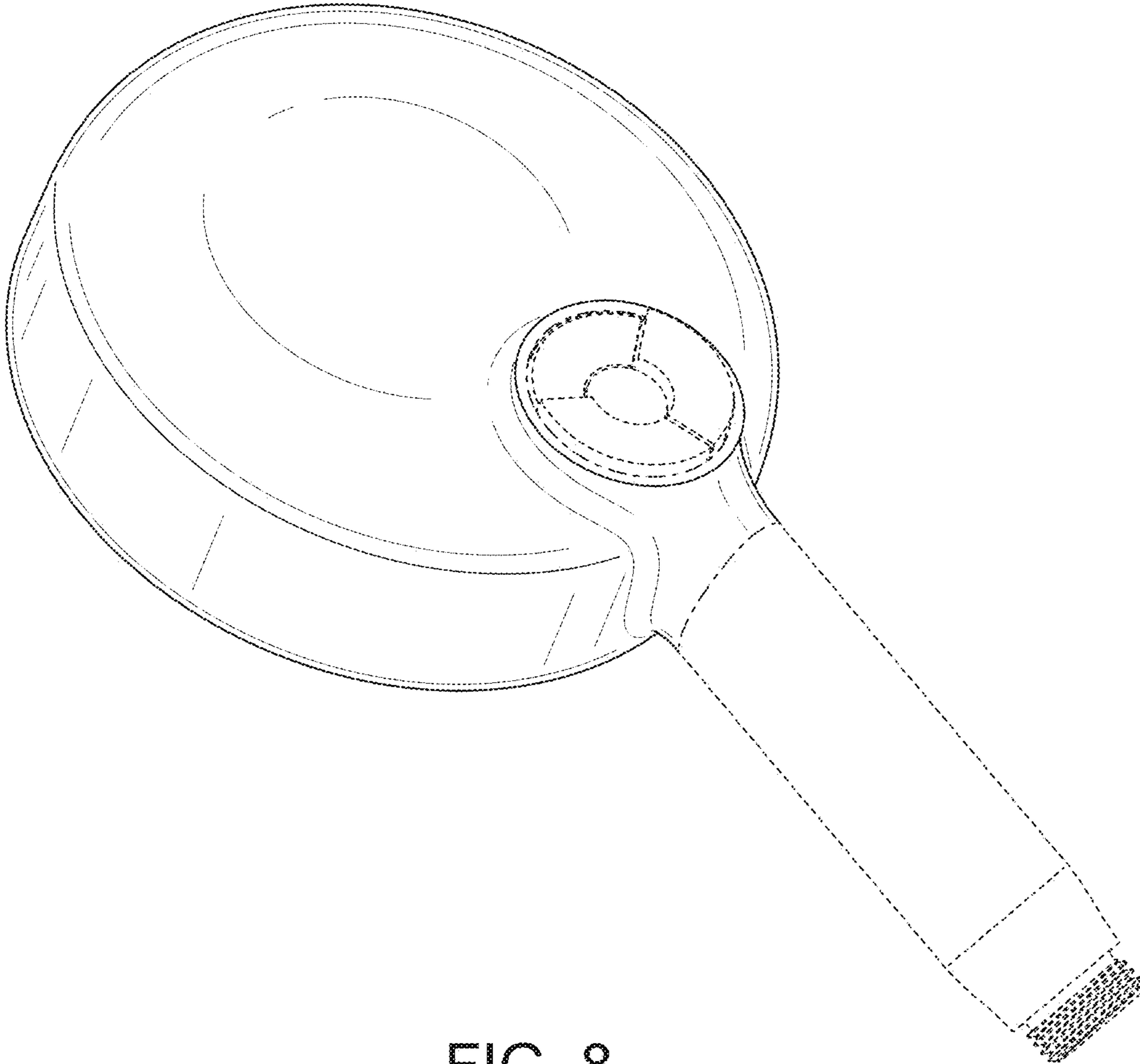


FIG. 8