



US00D987779S

(12) **United States Design Patent**  
**Jiang**

(10) **Patent No.:** **US D987,779 S**

(45) **Date of Patent:** **\*\* May 30, 2023**

(54) **BIDET**

(71) Applicant: **XIAMEN SOOTHINGWARE  
SANITARY CO., LTD.**, Xiamen (CN)

(72) Inventor: **Jian Bing Jiang**, Xiamen (CN)

(73) Assignee: **XIAMEN SOOTHINGWARE  
SANITARY CO., LTD.**, Xiamen (CN)

(\*\*) Term: **15 Years**

(21) Appl. No.: **29/723,802**

(22) Filed: **Feb. 11, 2020**

(30) **Foreign Application Priority Data**

Jun. 13, 2019 (CN) ..... 201930304161.3

(51) **LOC (14) Cl.** ..... **23-07**

(52) **U.S. Cl.**  
USPC ..... **D23/309**

(58) **Field of Classification Search**

USPC ..... D23/213, 214, 215, 223, 224, 226, 229,  
D23/230, 295, 309; D14/251, 253, 348,  
D14/356, 432, 434, 474; D13/107-110,  
D13/118-119, 184

CPC ..... A61H 9/0021; A61H 33/00; B05B 1/00;  
B05B 1/14; B05B 1/185; B05B 1/08;  
B05B 1/02; B05B 1/26; B05B 12/002;  
B05B 1/18; B05B 9/01; H05K 5/0278;  
G06K 19/07732

See application file for complete search history.

(56) **References Cited**

**U.S. PATENT DOCUMENTS**

4,383,339 A \* 5/1983 Miller ..... E03D 9/08  
4/443  
D402,002 S \* 12/1998 Gottwald ..... D23/241  
5,960,485 A \* 10/1999 Mihara ..... E03D 9/085  
239/586

D470,499 S \* 2/2003 Salazar ..... A01K 11/004  
D14/433  
D494,969 S \* 8/2004 Lin ..... D14/480.7  
D557,697 S \* 12/2007 Chen ..... D14/480.7  
D591,758 S \* 5/2009 Lee ..... D14/435.1  
D595,223 S \* 6/2009 Yamamoto ..... D13/108  
D601,141 S \* 9/2009 Moshes ..... D14/480.7  
D601,152 S \* 9/2009 Moshes ..... D14/480.7  
D610,588 S \* 2/2010 Chen ..... D14/480.7

(Continued)

*Primary Examiner* — Keith J Wilson

(57) **CLAIM**

The ornamental design for a bidet, as shown and described.

**DESCRIPTION**

FIG. 1 is a front elevational view of a bidet showing the new design;

FIG. 2 is a rear elevational view thereof;

FIG. 3 is a left-side elevational view thereof;

FIG. 4 is a right-side elevational view thereof;

FIG. 5 is a top elevational view thereof;

FIG. 6 is a bottom elevational view thereof;

FIG. 7 is a front-bottom perspective view thereof;

FIG. 8 is an enlarged partial view of FIG. 1;

FIG. 9 is an enlarged partial view of FIG. 2;

FIG. 10 is an enlarged partial view of FIG. 3;

FIG. 11 is an enlarged partial view of FIG. 4;

FIG. 12 is an enlarged partial view of FIG. 5;

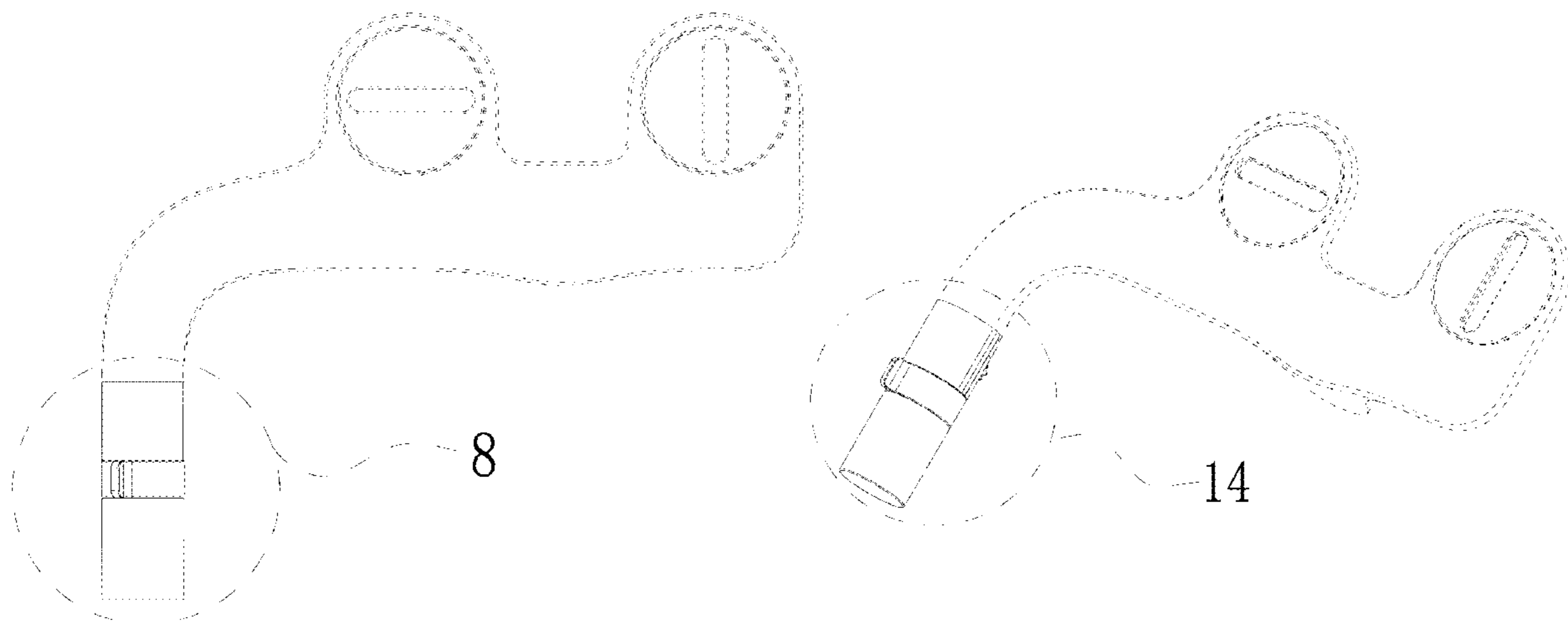
FIG. 13 is an enlarged partial view of FIG. 6; and,

FIG. 14 is an enlarged partial view of FIG. 7.

The uniform length broken lines in the figures depict environmental subject matter and form no part of the claimed design.

The dash dot dash broken lines are boundary lines, which define the bounds of the claimed design. These boundaries do not exist in reality in the article embodying the design. It is understood that the claimed design extends to these boundaries but do not include the boundaries.

**1 Claim, 14 Drawing Sheets**



(56)

**References Cited**

U.S. PATENT DOCUMENTS

D624,925	S *	10/2010	Lu	.....	D14/480.7
D639,303	S *	6/2011	Ni	.....	D14/480.7
D685,809	S *	7/2013	Billington	.....	D14/480.7
D714,428	S *	9/2014	Gupta	.....	D23/309
D759,661	S *	6/2016	Liao	.....	D14/480.7
D826,950	S *	8/2018	Roberts	.....	D14/480.7
D875,907	S *	2/2020	Jiang	.....	D23/309
D885,539	S *	5/2020	Yan	.....	D23/309
D887,419	S *	6/2020	Roberts	.....	D14/480.7
D889,615	S *	7/2020	Jiang	.....	D23/309
D890,314	S *	7/2020	Yan	.....	D23/309
D917,030	S *	4/2021	Yan	.....	D23/309
D937,395	S *	11/2021	Yan	.....	D23/309
D937,396	S *	11/2021	Yan	.....	D23/309
2007/0184685	A1 *	8/2007	Hsueh	.....	G06F 21/78 439/76.1
2014/0096316	A1 *	4/2014	Wu	.....	B05B 9/0827 4/443
2018/0209129	A1 *	7/2018	He	.....	E03D 9/08

\* cited by examiner

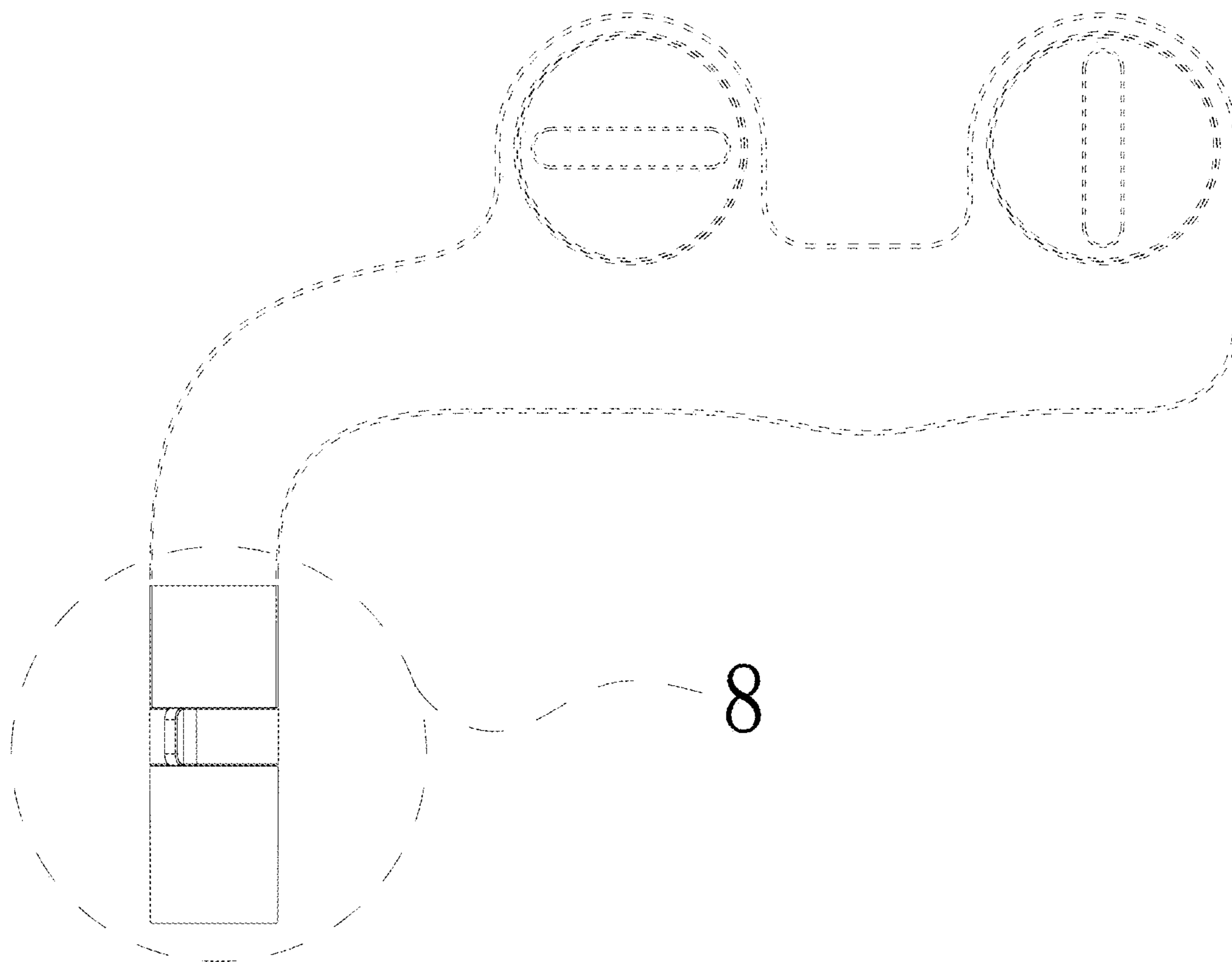


FIG. 1

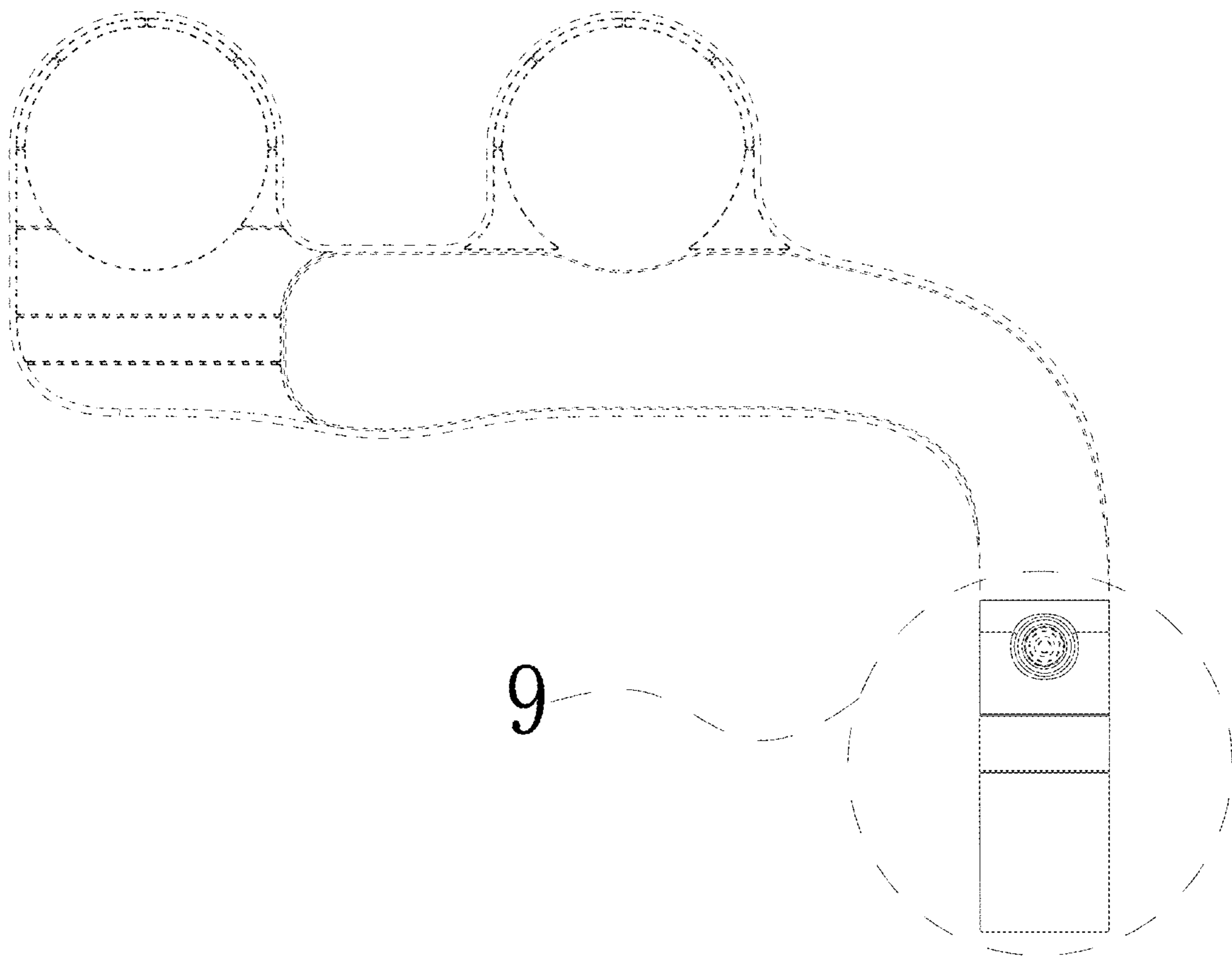


FIG. 2

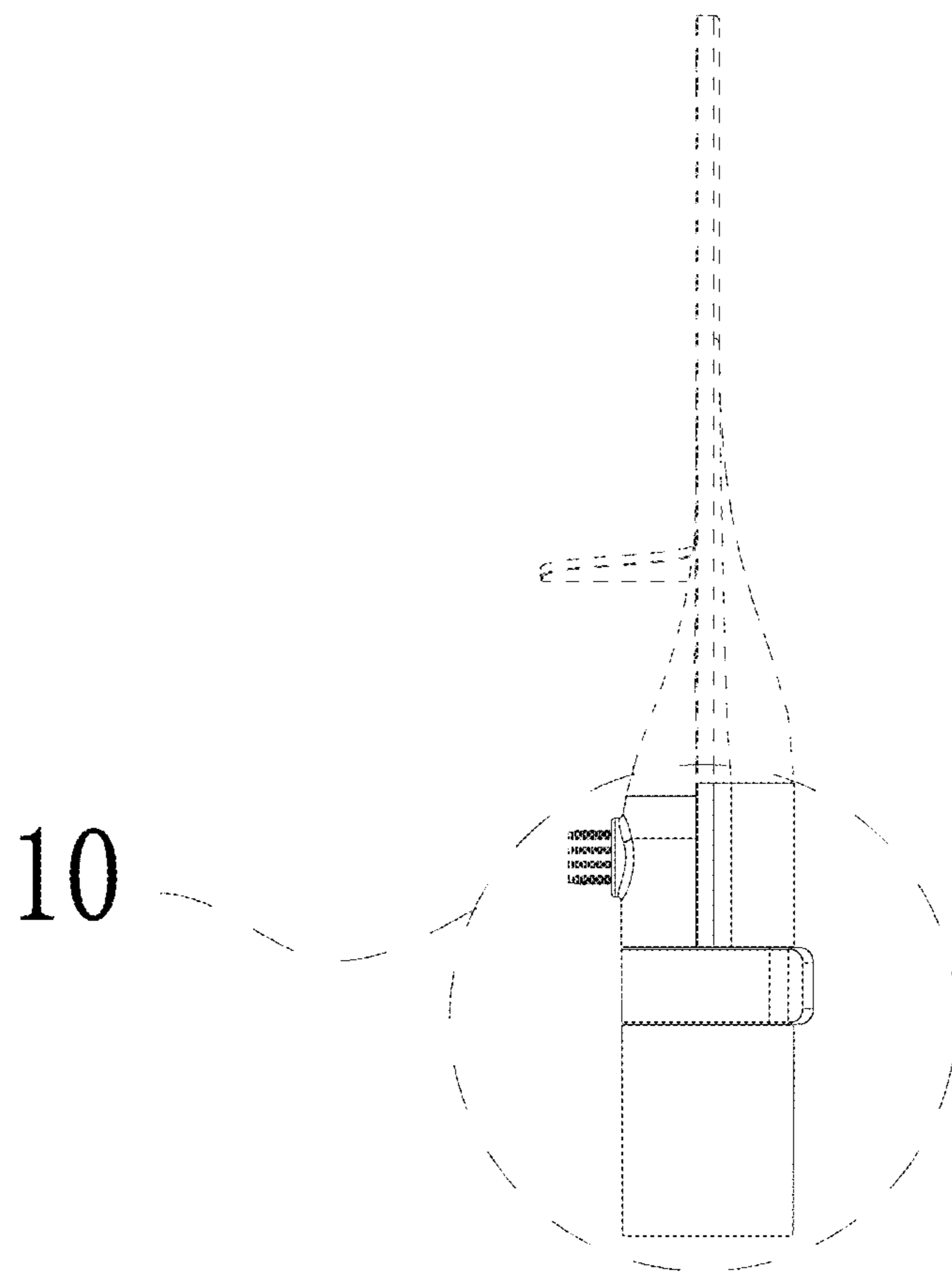


FIG. 3

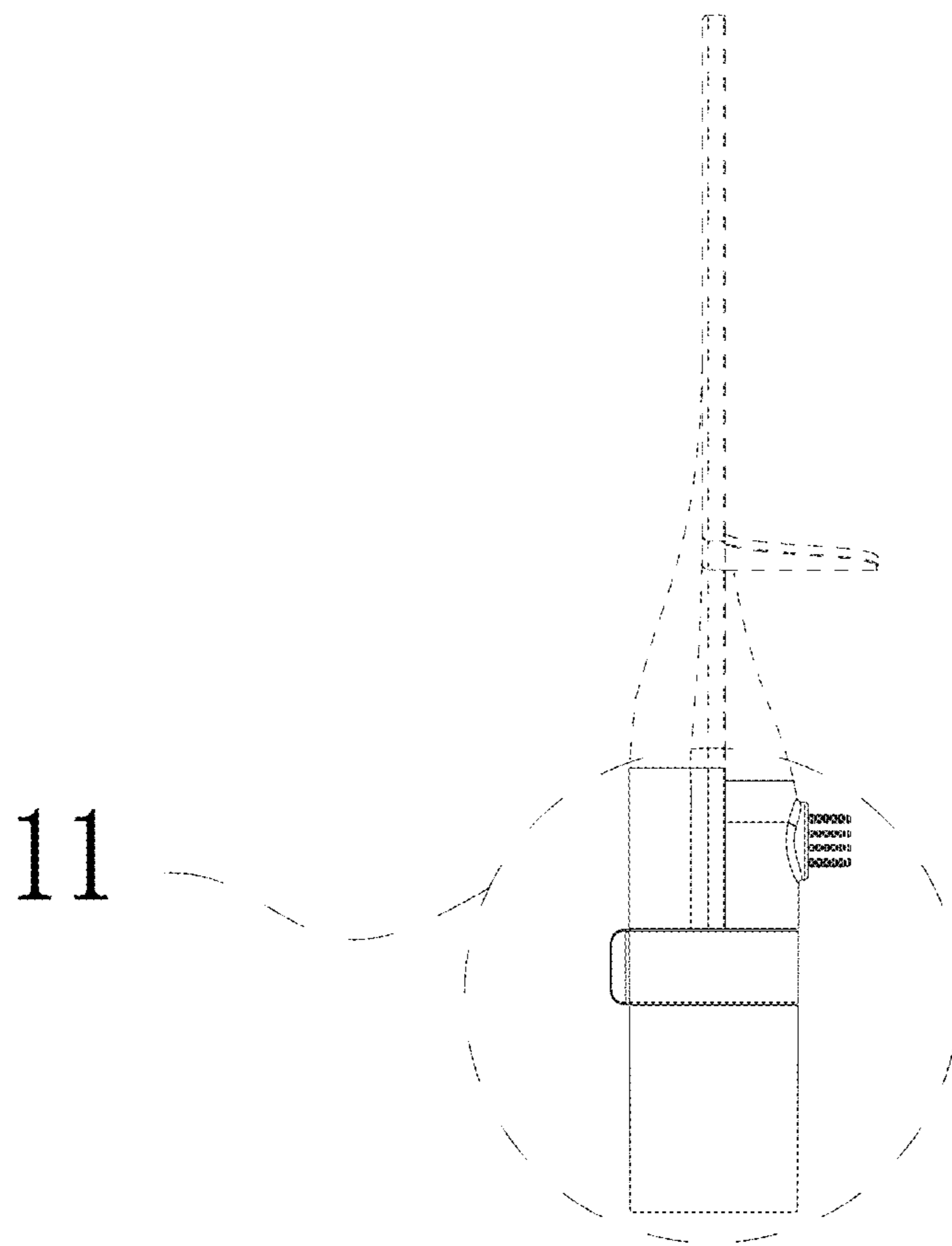


FIG. 4

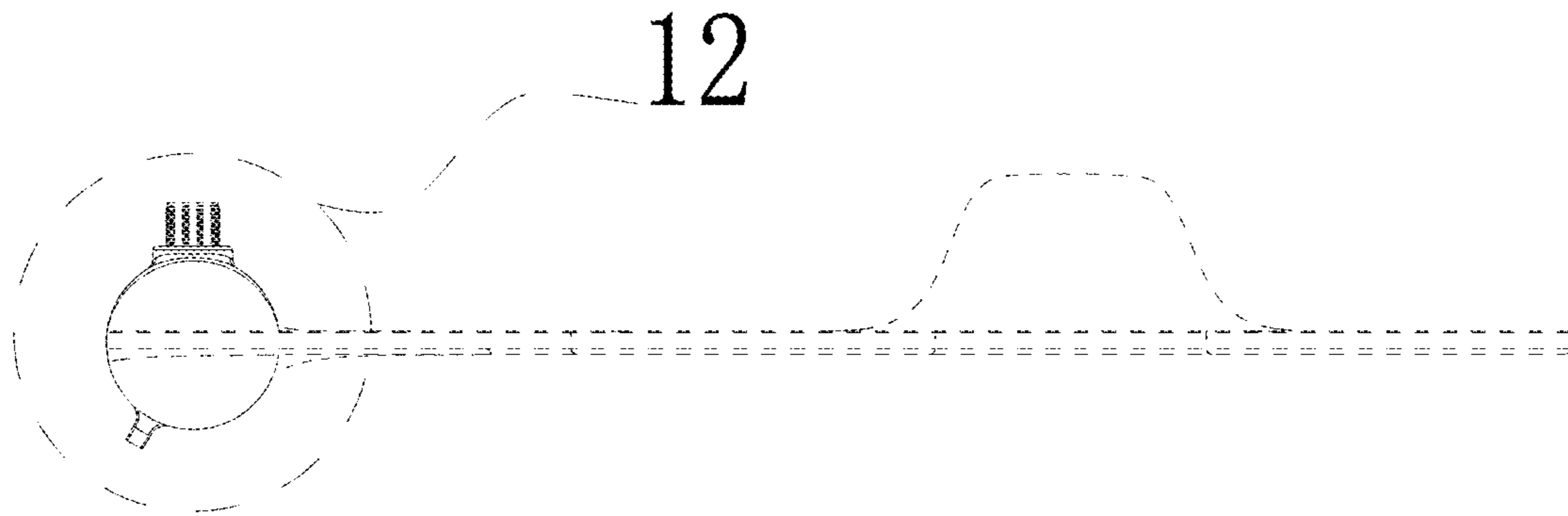


FIG. 5

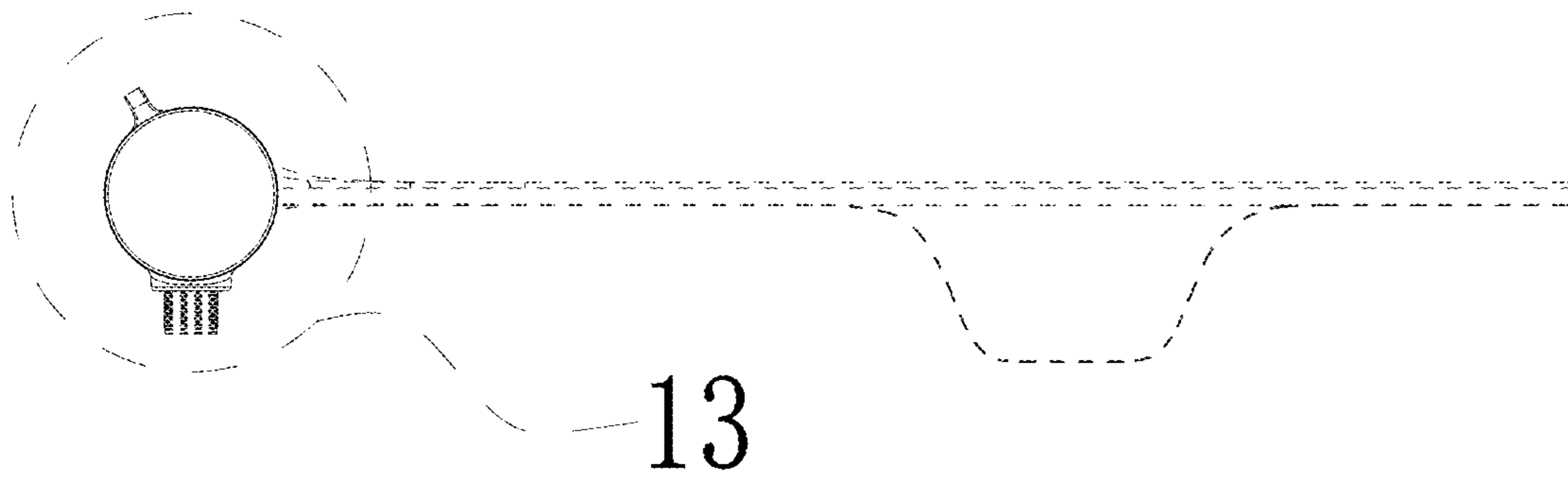


FIG. 6



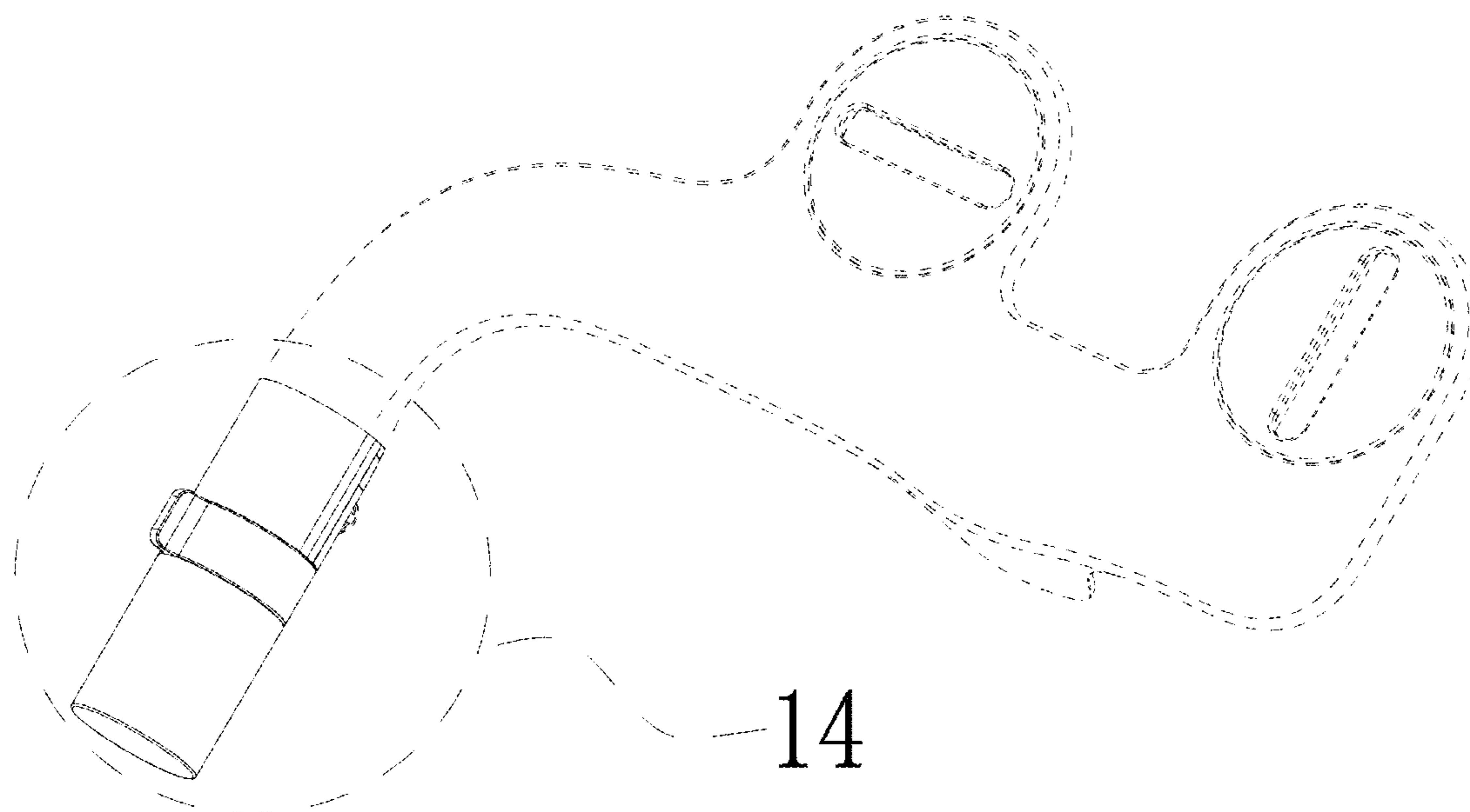


FIG. 7

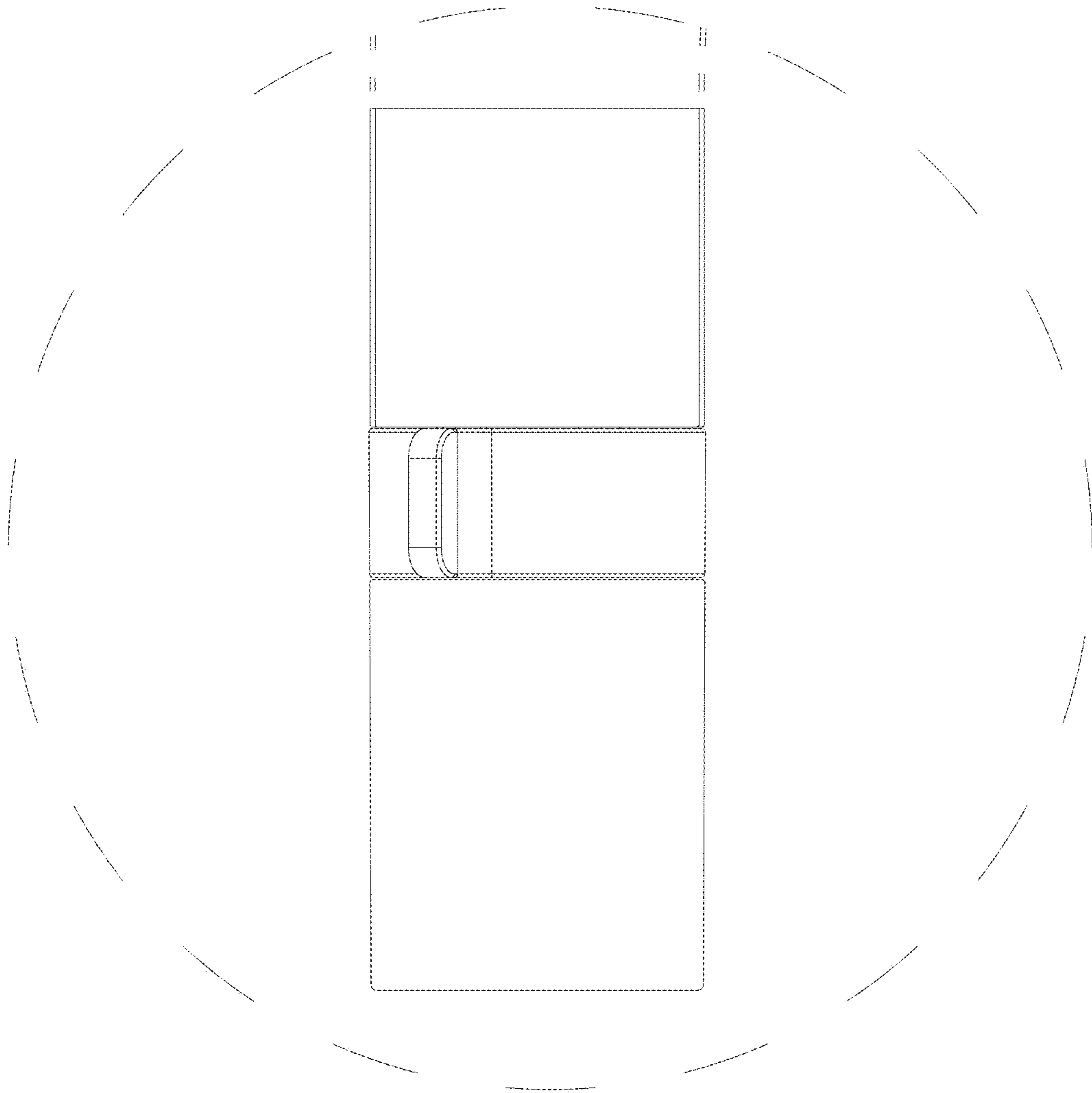


FIG. 8

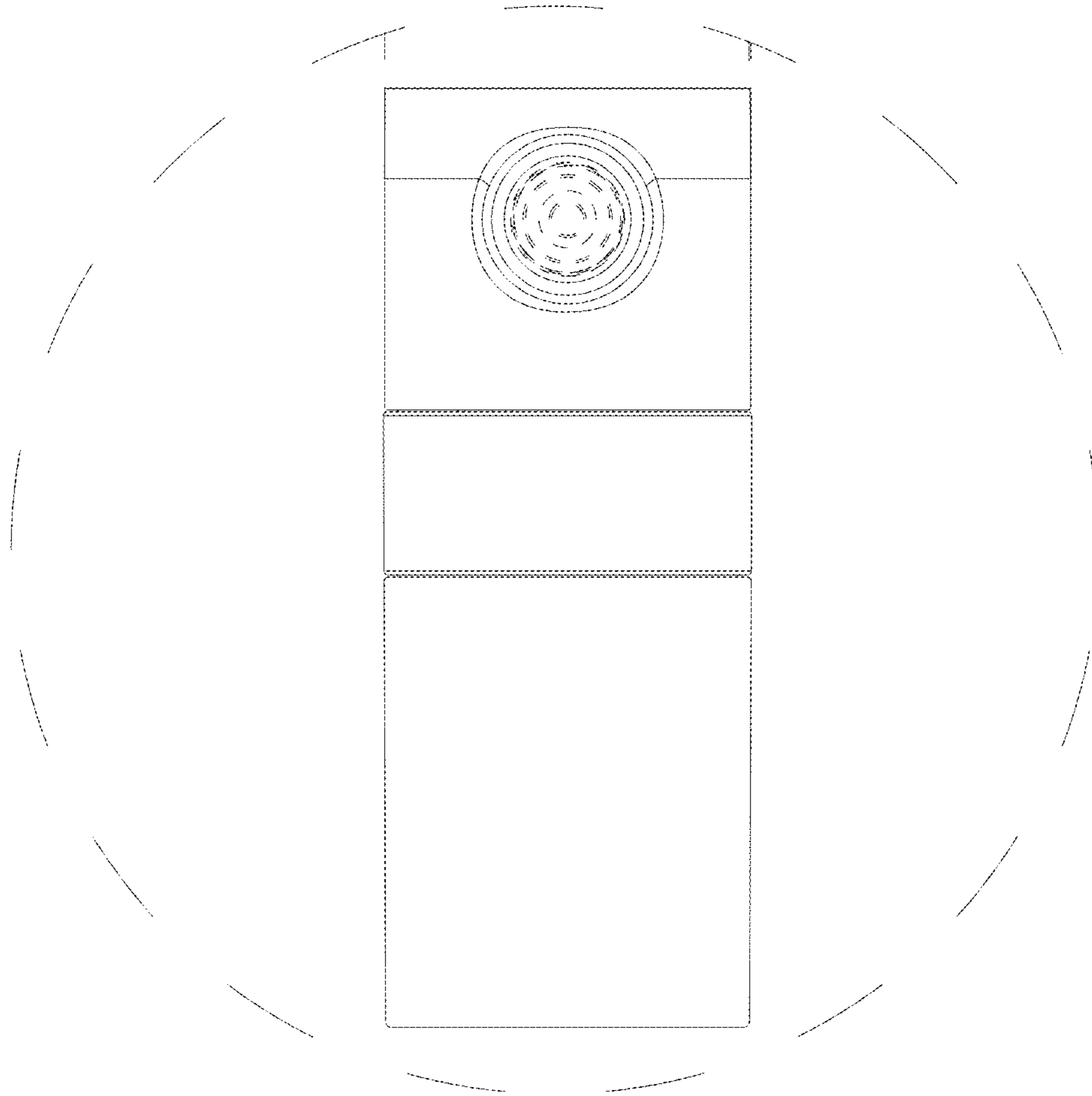


FIG. 9

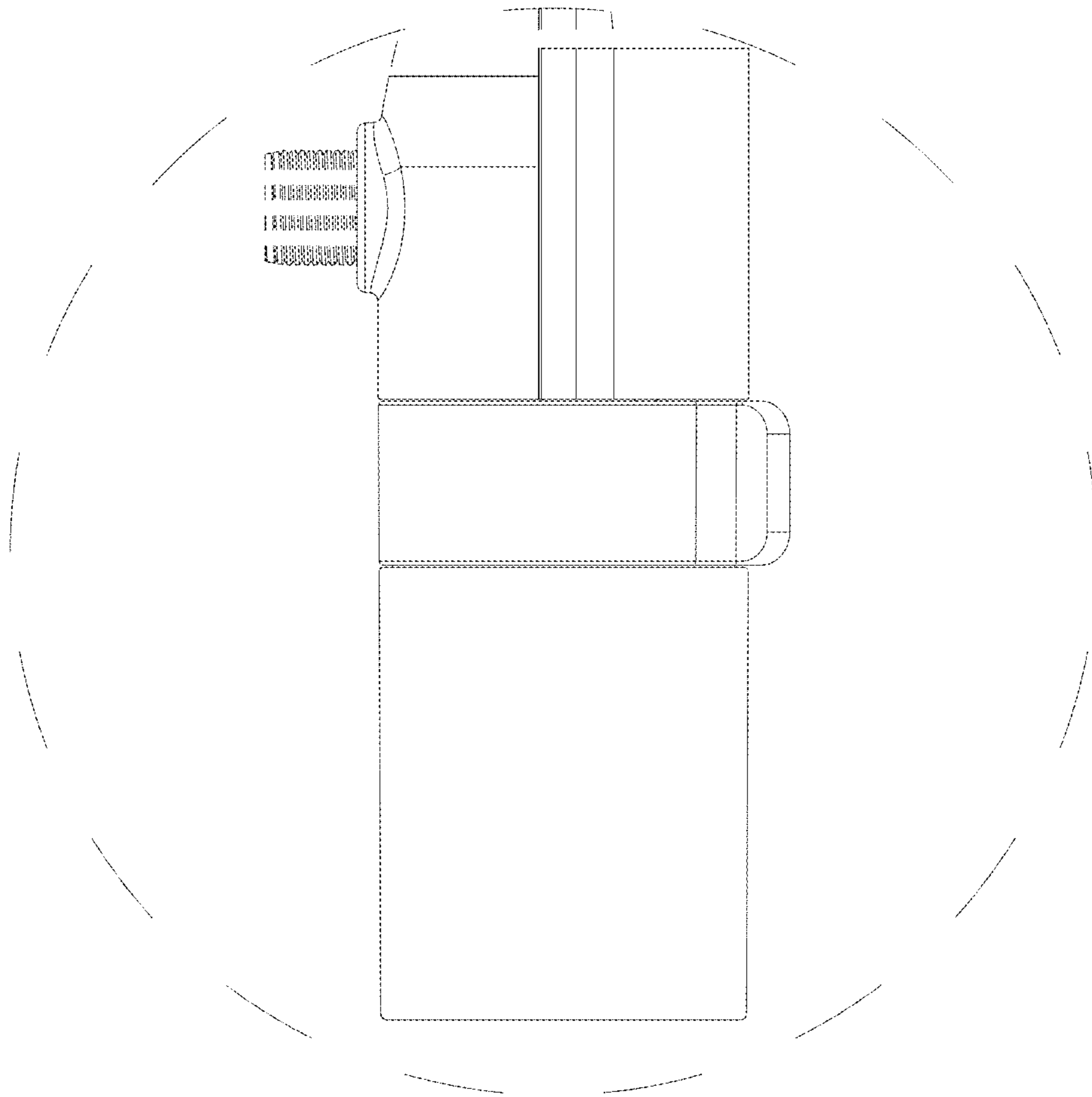


FIG. 10

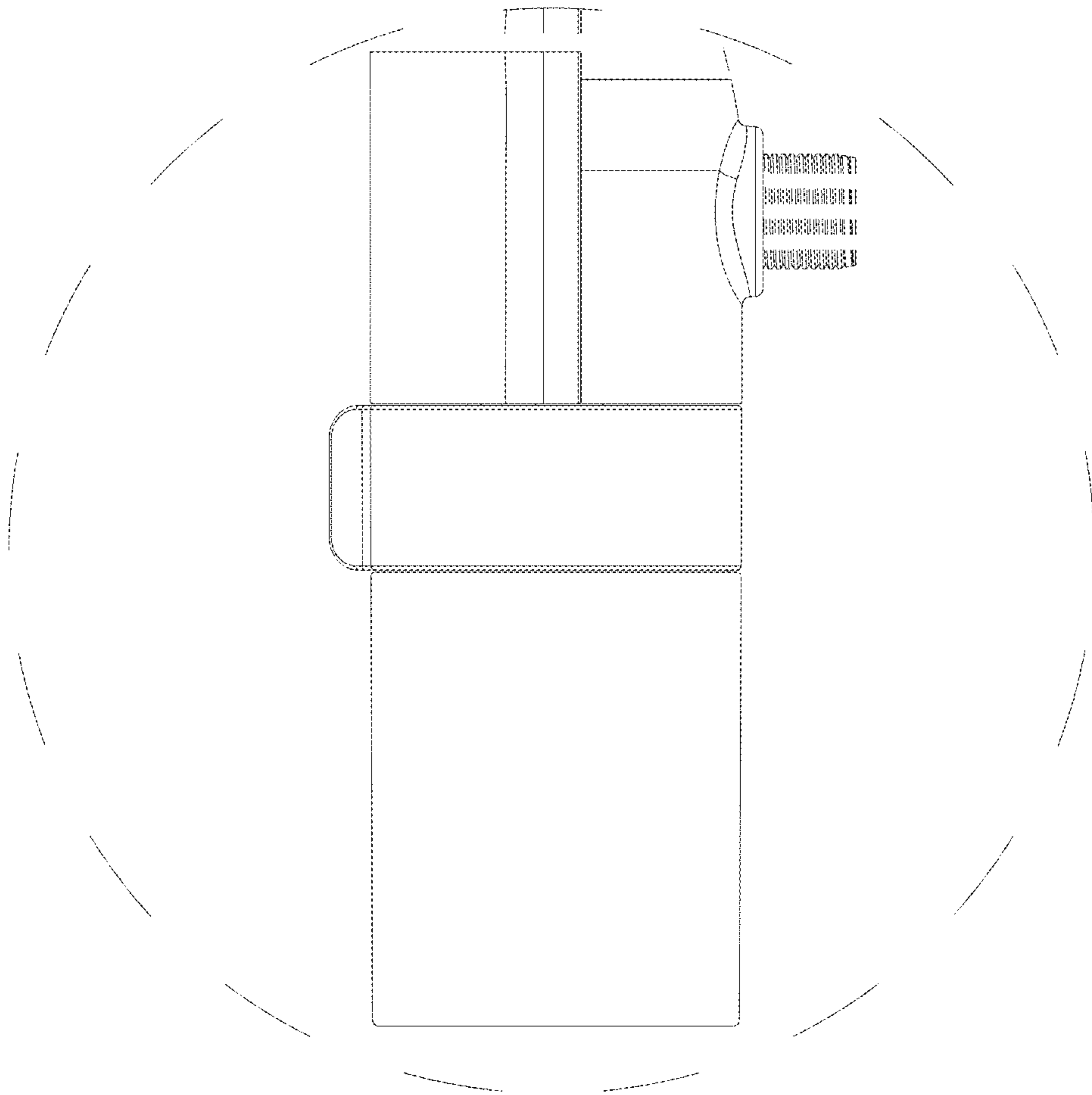


FIG. 11

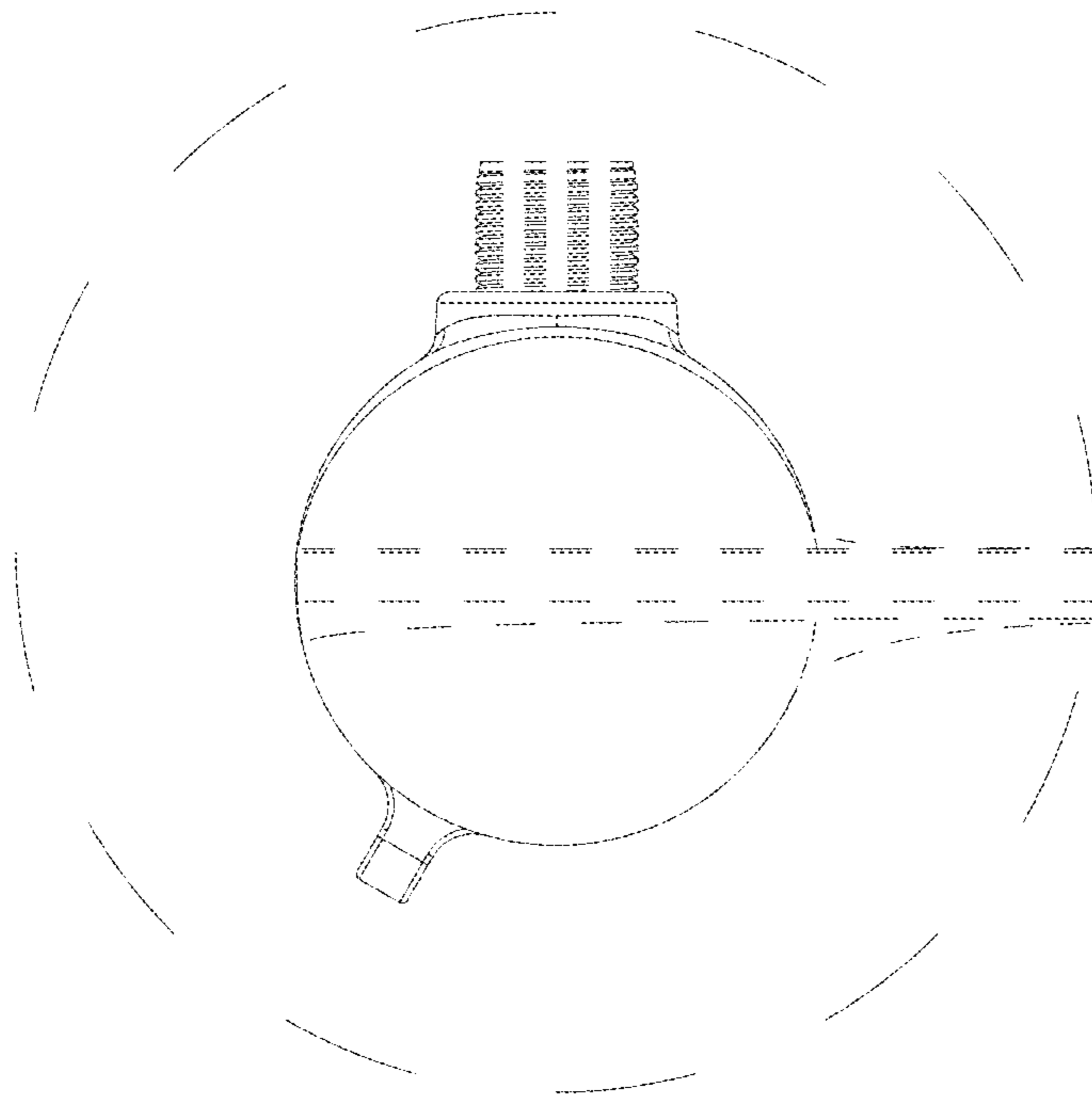


FIG. 12

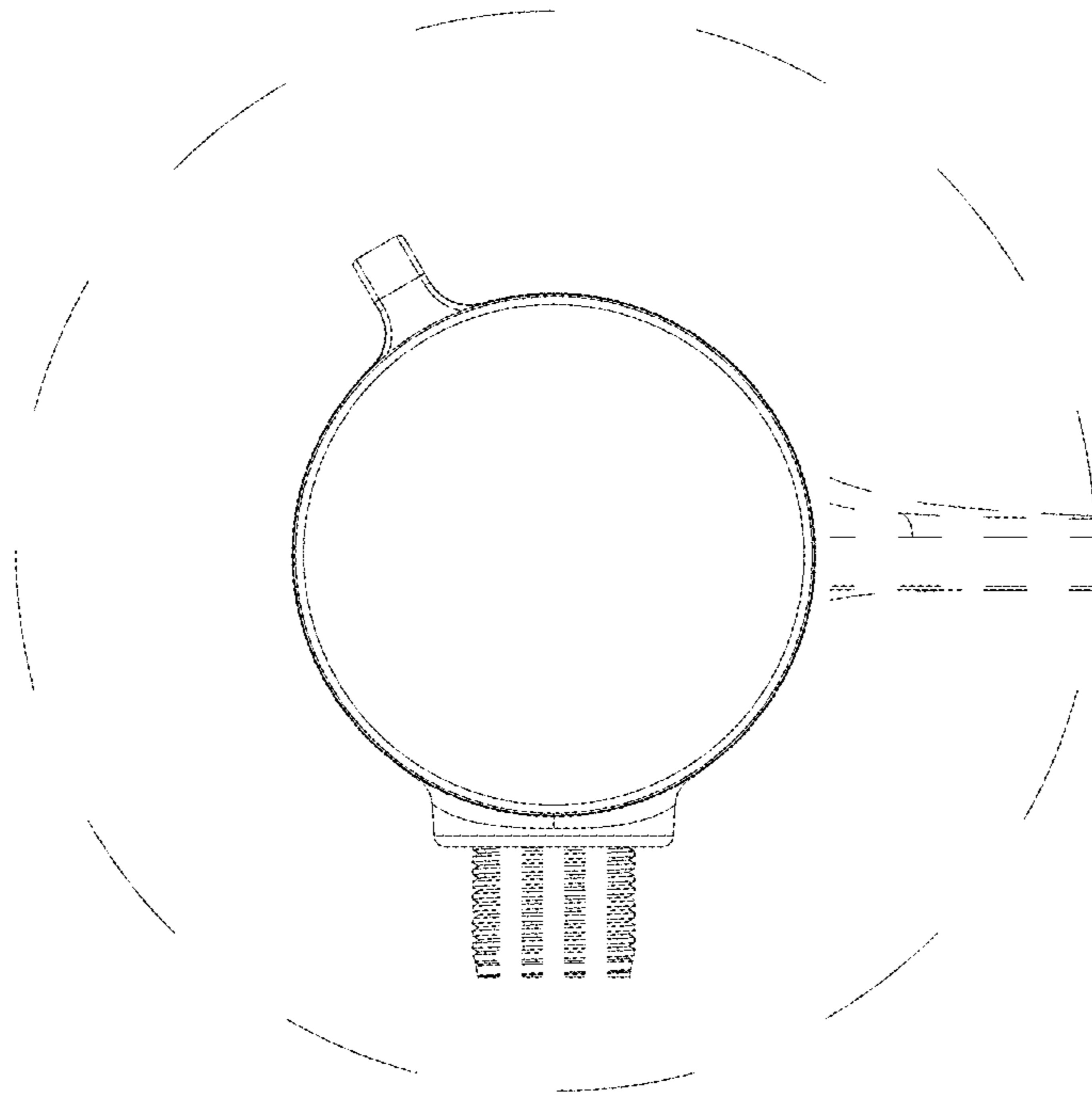


FIG. 13

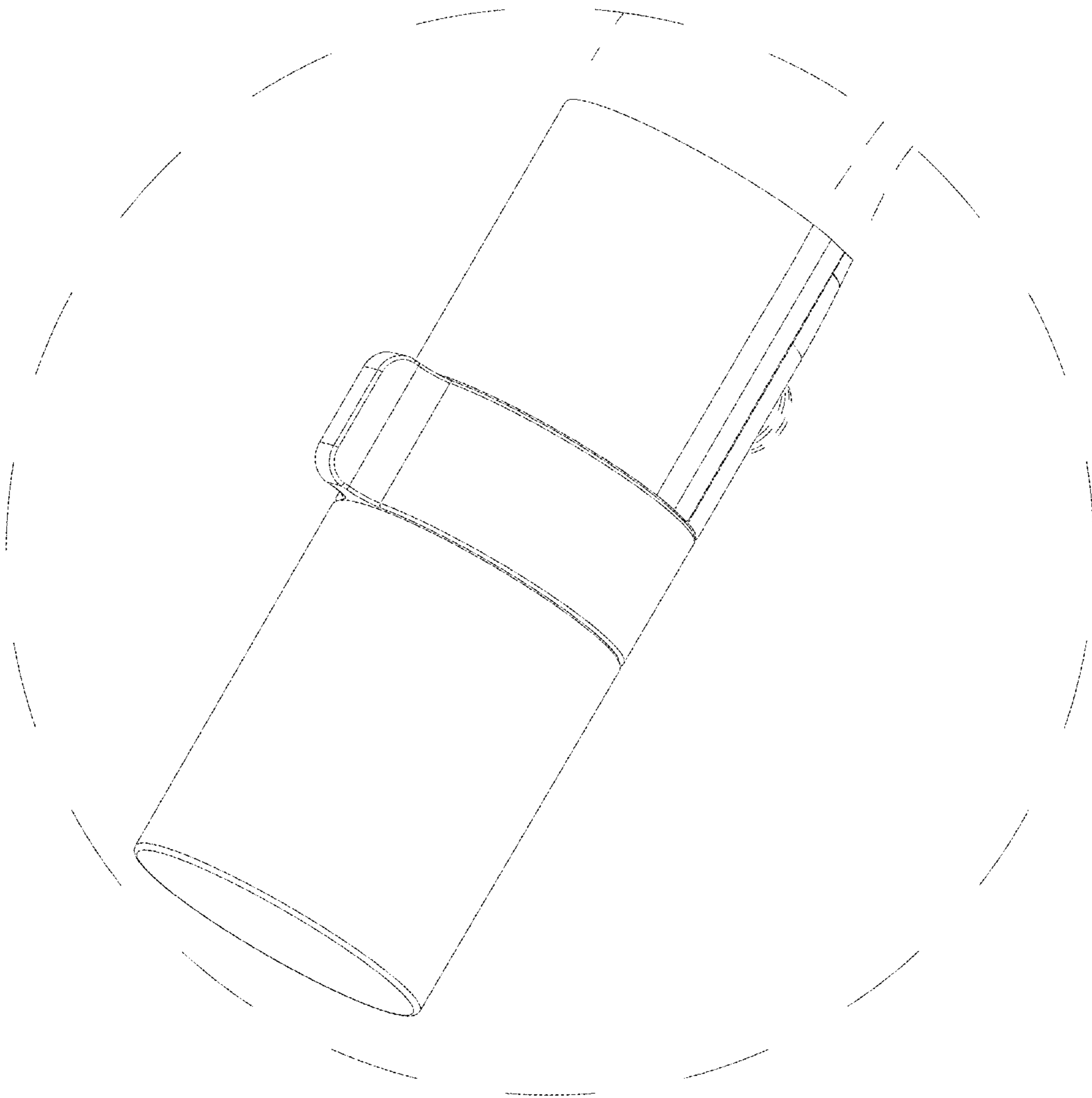


FIG. 14