



US00D987778S

(12) **United States Design Patent** (10) **Patent No.:** **US D987,778 S**  
**Baeten et al.** (45) **Date of Patent:** **\*\* May 30, 2023**

(54) **MINIMAL WASTE DISPENSING TIP**  
(71) Applicant: **Inter-Med, Inc.**, Racine, WI (US)  
(72) Inventors: **John Baeten**, Muskego, WI (US);  
**Alexander D. Johnson**, Mount Pleasant, WI (US)  
(73) Assignee: **Inter-Med, Inc.**, Racine, WI (US)

D768,489 S \* 10/2016 Indruk ..... D9/447  
D806,831 S \* 1/2018 Zou ..... D23/209  
D809,093 S \* 1/2018 Kasper ..... D15/150  
D846,070 S \* 4/2019 Zou ..... D23/209  
D900,277 S \* 10/2020 Albino ..... D23/207  
D946,696 S \* 3/2022 Swiatek ..... D23/207  
11,313,501 B2 \* 4/2022 Chen ..... B05B 15/65  
D965,777 S \* 10/2022 Marici ..... D24/130

(Continued)

(\*\*) Term: **15 Years**  
(21) Appl. No.: **29/865,070**  
(22) Filed: **Jul. 6, 2022**

**OTHER PUBLICATIONS**

Litorange 2 PCS Lead-Free Brass Winterize Sprinkler Systems: Air Compressor 1/4" Quick Connect Plug, Jan. 30, 2019, amazon.ca, May 20, 2022, URL: <https://www.amazon.ca/dp/B07KWZHM8B/> (Year: 2019).\*

(Continued)

**Related U.S. Application Data**

(62) Division of application No. 29/792,885, filed on Apr. 28, 2022, now Pat. No. Des. 961,044, which is a division of application No. 29/692,825, filed on May 29, 2019, now Pat. No. Des. 958,929.

*Primary Examiner* — Keith J Wilson

(74) *Attorney, Agent, or Firm* — Barnes & Thornburg LLP; Ryan L. Marshall

(51) **LOC (14) Cl.** ..... **23-01**

(52) **U.S. Cl.**  
USPC ..... **D23/209**

(58) **Field of Classification Search**  
USPC ..... D23/207, 209, 213, 214, 215, 223, 224,  
D23/226, 229, 230; D24/111-112, 130  
CPC ..... A61H 9/0021; A61H 33/00; B05B 1/00;  
B05B 1/14; B05B 1/185; B05B 1/08;  
B05B 1/02; B05B 1/26; B05B 12/002;  
B05B 1/18; B05B 9/01

See application file for complete search history.

(57) **CLAIM**

We claim the ornamental design for a minimal waste dispensing tip, as shown and described.

**DESCRIPTION**

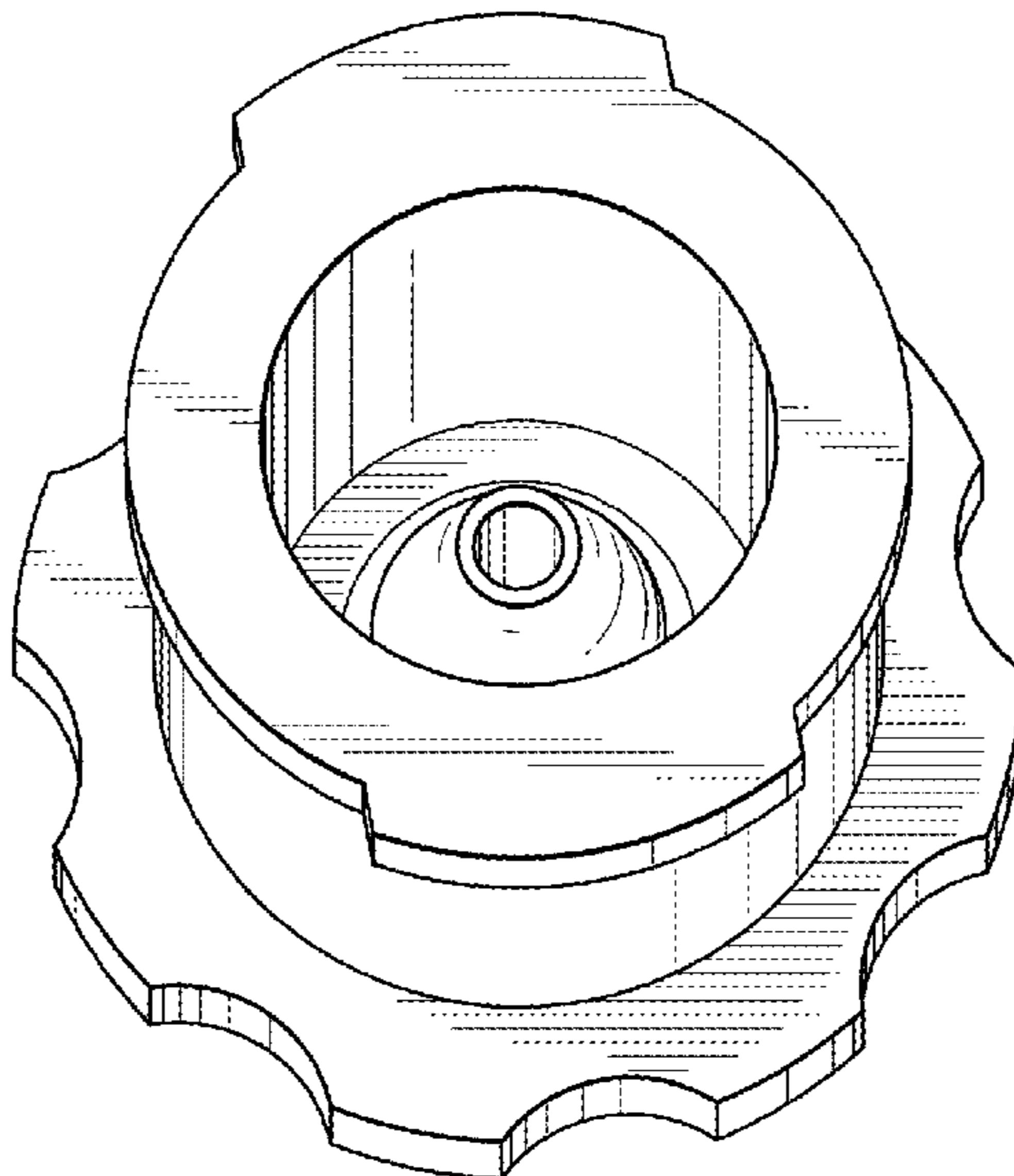
FIG. 1 is a top perspective view of a minimal waste dispensing tip;  
FIG. 2 is a front elevation view thereof, where a rear elevation view is identical to the front elevation view;  
FIG. 3 is a left side elevation view thereof, where a right side elevation view is identical to the left side elevation view;  
FIG. 4 is top-to-bottom section view thereof, taken along line 11-11 of FIG. 10;  
FIG. 5 is a top plan view thereof; and  
FIG. 6 is a bottom plan view thereof; and,  
FIG. 7 is a bottom perspective view thereof.  
The broken lines illustrate boundaries that form no part of the claimed design.

(56) **References Cited**

**U.S. PATENT DOCUMENTS**

5,759,178 A \* 6/1998 Wells ..... A61M 5/34  
604/272  
D570,478 S \* 6/2008 Sudo ..... D24/130  
D717,396 S \* 11/2014 Hammarback ..... D23/209  
D752,177 S \* 3/2016 Enomoto ..... D23/207

**1 Claim, 5 Drawing Sheets**



(56)

**References Cited**

U.S. PATENT DOCUMENTS

2012/0255890 A1\* 10/2012 Cumberland ..... C02F 1/003  
210/232  
2020/0156086 A1\* 5/2020 Baeten ..... B65D 83/0022  
2020/0222682 A1\* 7/2020 Burkholz ..... A61M 39/162  
2021/0323022 A1\* 10/2021 Mak ..... B05C 5/02  
2022/0065374 A1\* 3/2022 Xie ..... F16L 37/123  
2022/0072567 A1\* 3/2022 Kuo ..... B05B 1/14

OTHER PUBLICATIONS

Iwata-Medea—Kustom Fluid Nozzle 0.5Mm, May 18, 2016, amazon.ca, May 20, 2022, URL: <https://www.amazon.ca/Iwata-Medea-Iwata-Nozzle-Hp-Th/dp/B00A6WFIUY/> (Year: 2016).\*

11 Pcs 3D Gelatin Jello Mold, 3D Gelatin Jello Art Tools Flowers Leaves Cake Pudding Decorating Kit with Syringe Nozzles, Oct. 28, 2020, amazon.ca, Dec. 30, 2022, URL: <https://www.amazon.ca/dp/B08M3XXNQV/> (Year: 2020).\*

HK Jerky Gun Kits, Jerky Maker Gun, Beef Jerky Gun, 2 Pound Stainless Steel Sausage Jerky Making Gun with 5 Stainless Nozzles, Feb. 25, 2022, amazon.ca, Dec. 30, 2022, URL: <https://www.amazon.ca/dp/B09TDK3983/> (Year: 2022).\*

\* cited by examiner

FIG. 1

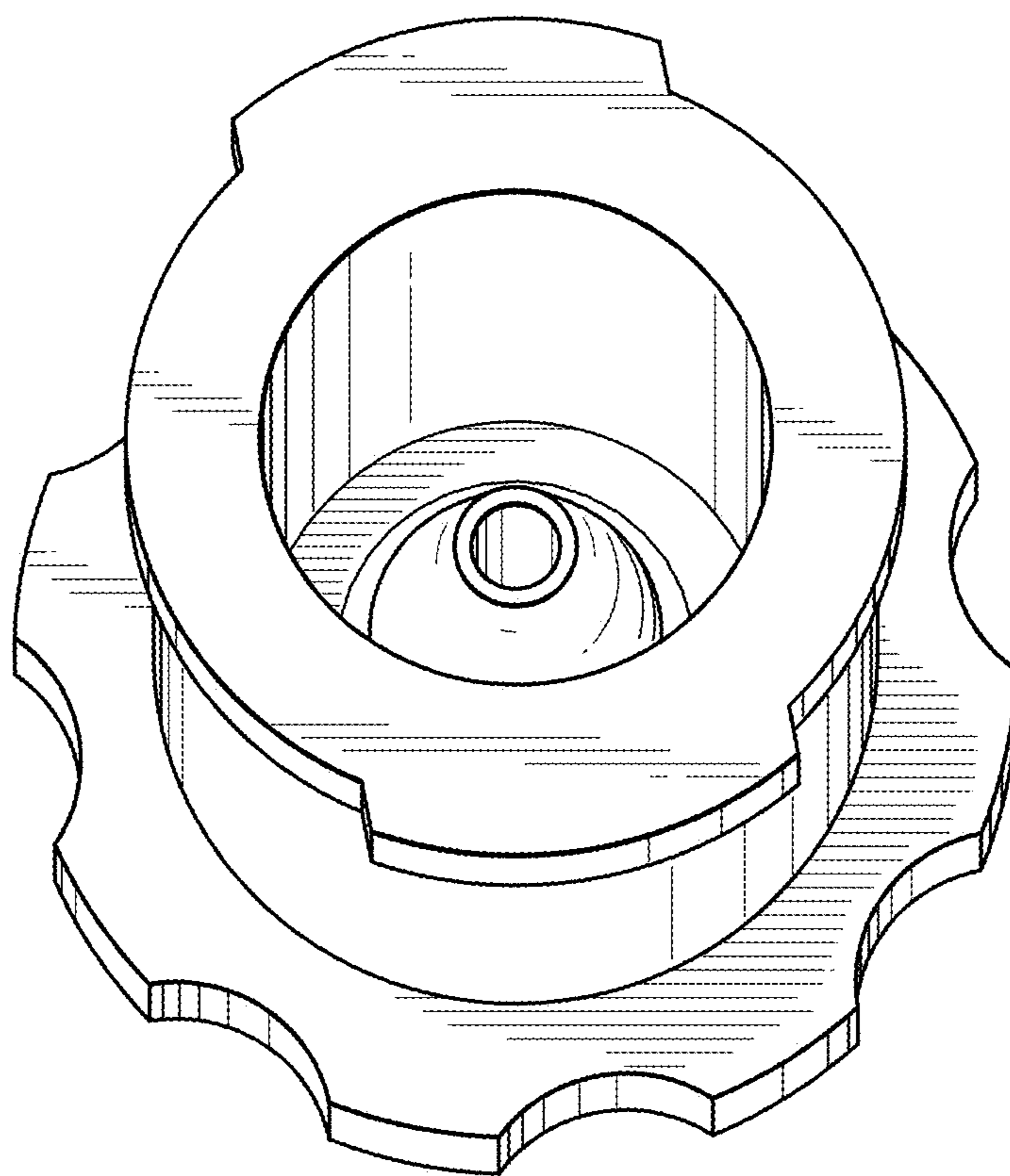


FIG. 2

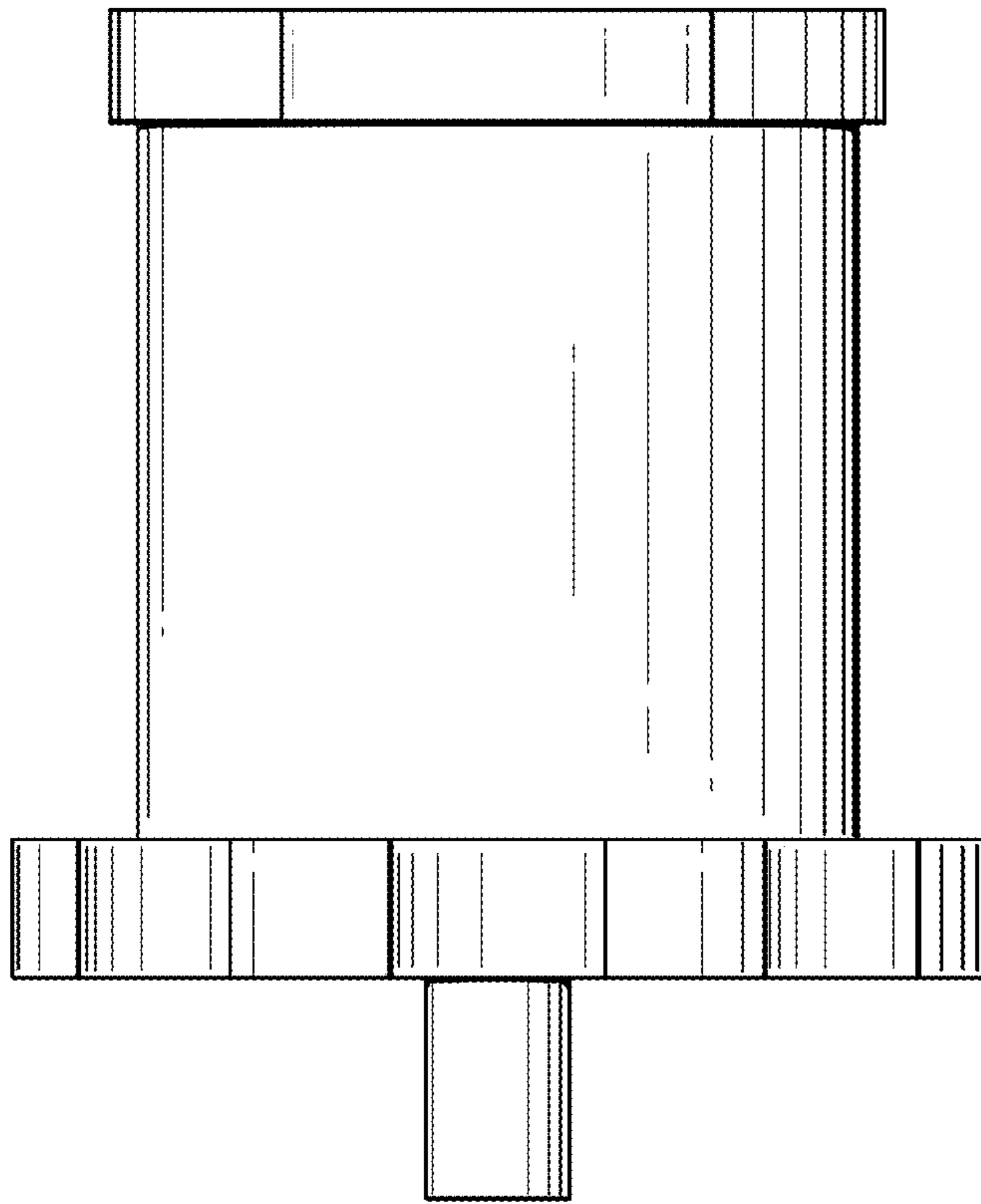


FIG. 3

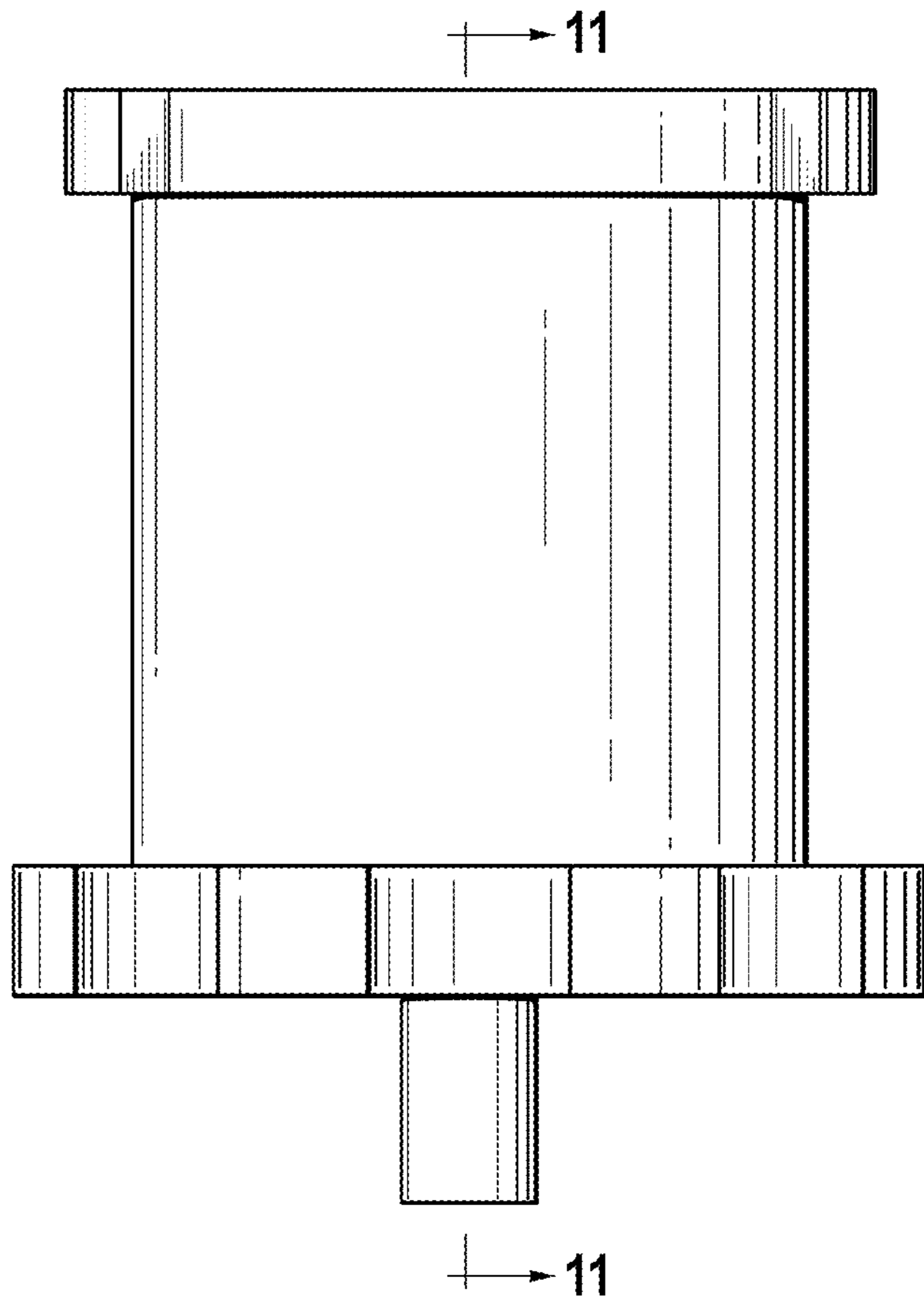
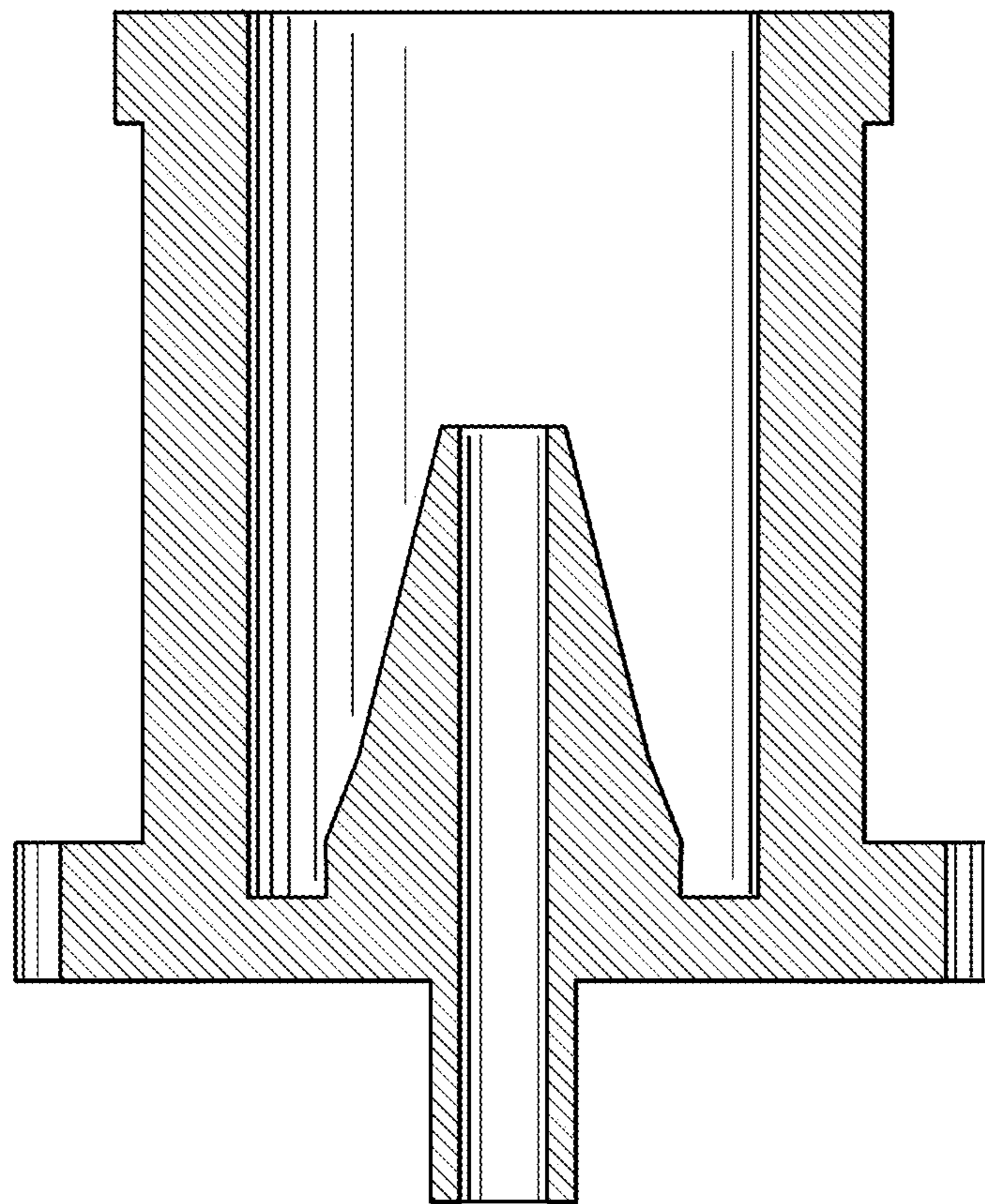
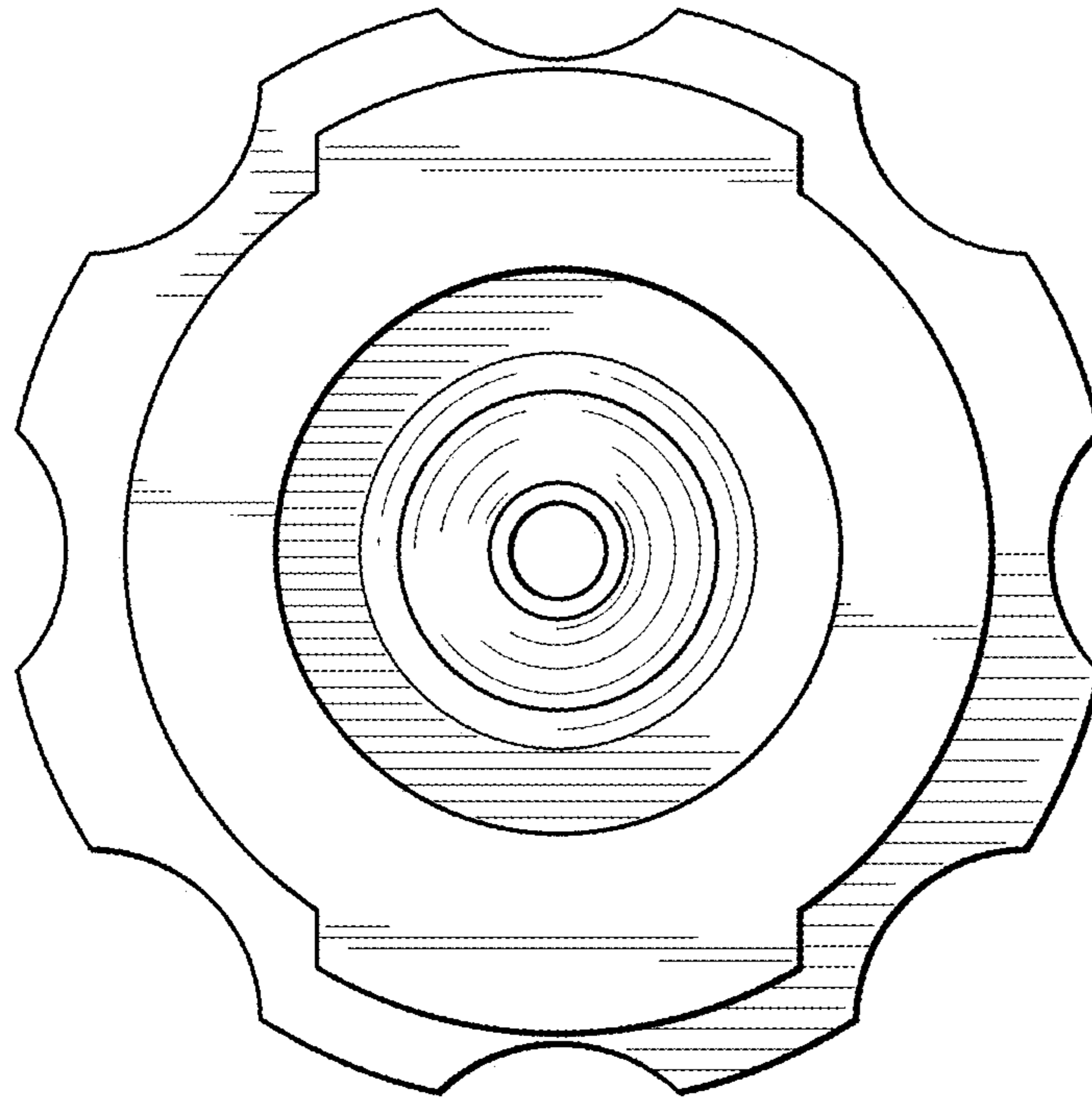


FIG. 4



**FIG. 5**



**FIG. 6**

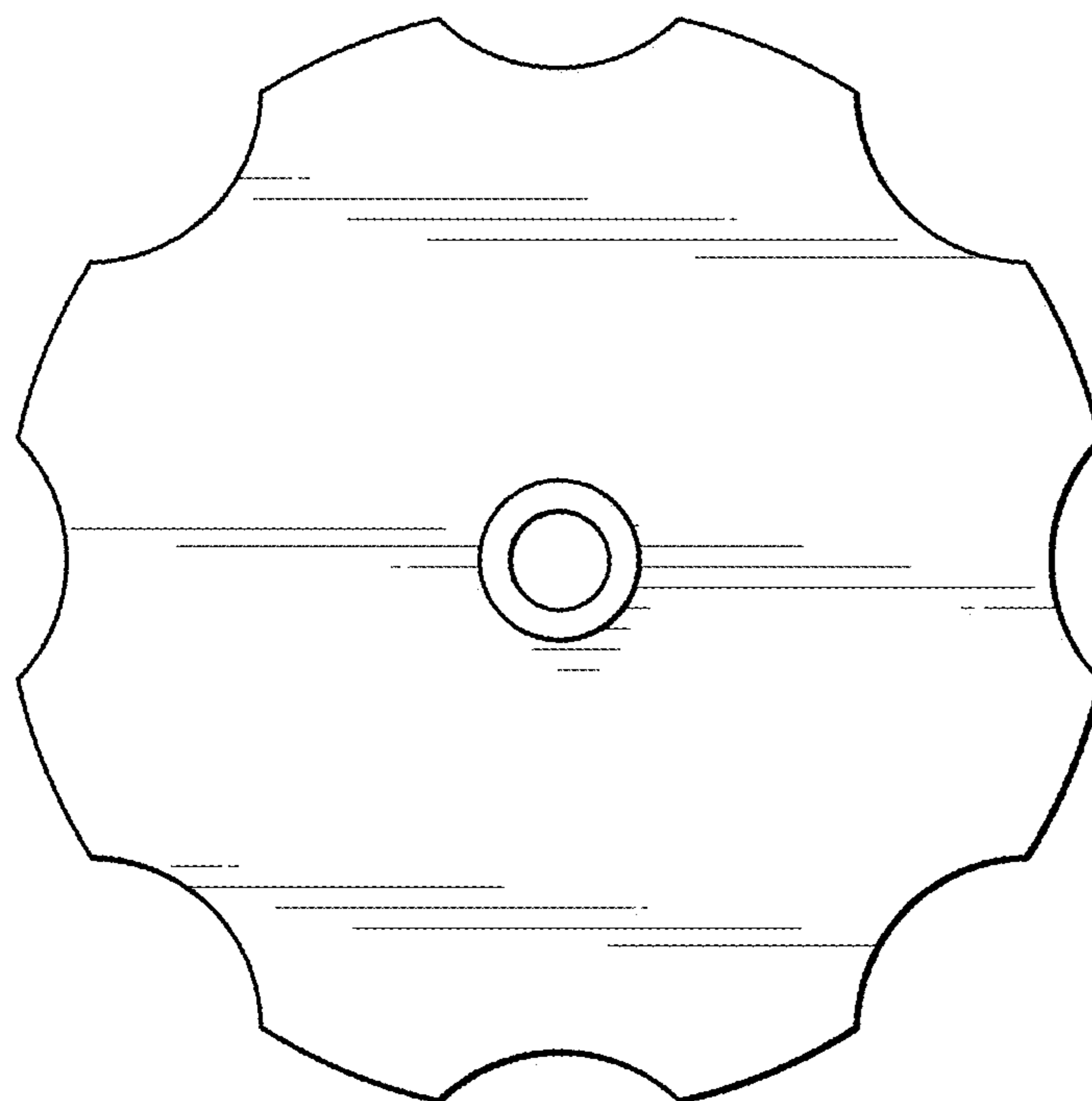


FIG. 7

