



US00D987777S

(12) **United States Design Patent**
Sun

(10) **Patent No.:** **US D987,777 S**

(45) **Date of Patent:** **** May 30, 2023**

(54) **FILTER**

(71) Applicant: **Jianfeng Sun**, Jiaxing (CN)

(72) Inventor: **Jianfeng Sun**, Jiaxing (CN)

(**) Term: **15 Years**

(21) Appl. No.: **29/858,798**

(22) Filed: **Nov. 3, 2022**

(51) **LOC (14) Cl.** **23-01**

(52) **U.S. Cl.**
USPC **D23/213**

(58) **Field of Classification Search**
USPC D23/207, 209, 213, 214, 215, 223, 224,
D23/225, 226, 229, 230, 249
CPC A61H 9/0021; A61H 33/00; B05B 1/00;
B05B 1/14; B05B 1/185; B05B 1/08;
B05B 1/02; B05B 1/26; B05B 12/002;
B05B 1/18; B05B 9/01
See application file for complete search history.

(56) **References Cited**

U.S. PATENT DOCUMENTS

- 4,765,499 A * 8/1988 von Reis B65D 51/1616
215/261
- D690,797 S * 10/2013 Blum D23/249
- D733,255 S * 6/2015 Blum D23/213
- D753,792 S * 4/2016 Blum D23/213
- D754,282 S * 4/2016 Blum D23/249
- D776,242 S * 1/2017 Blum D23/213
- D786,400 S * 5/2017 Blum D23/213
- D791,921 S * 7/2017 Blum D23/249
- D800,250 S * 10/2017 Blum D23/213
- D800,867 S * 10/2017 Blum D23/249
- D812,722 S * 3/2018 Blum D23/249
- D833,573 S * 11/2018 Blum D23/213
- D839,385 S * 1/2019 Vögeli D23/213
- D840,503 S * 2/2019 Stein D23/213
- D844,104 S * 3/2019 Birmelin D23/213

- D849,887 S * 5/2019 Blum D23/213
- D849,888 S * 5/2019 Schürle D23/213
- D851,208 S * 6/2019 Birmelin D23/213
- D853,524 S * 7/2019 Song D23/213
- D855,756 S * 8/2019 Blum D23/213
- D860,402 S * 9/2019 Blum D23/249
- D866,710 S * 11/2019 Blum D23/213
- D871,553 S * 12/2019 Blum B29C 49/60
D23/249
- D894,338 S * 8/2020 Lai E03C 1/08
D23/213
- D895,065 S * 9/2020 Lai D23/213
- D896,343 S * 9/2020 Stein D23/213
- D904,560 S * 12/2020 Coelho D23/209
- D905,199 S * 12/2020 Wu D23/213
- D905,820 S * 12/2020 Weiß E03C 1/08
D23/213
- D906,478 S * 12/2020 Stein E03C 1/08
D23/213
- D911,488 S * 2/2021 Spater D23/213
- D916,238 S * 4/2021 Coelho D23/209
- D921,152 S * 6/2021 Blum D23/249

(Continued)

Primary Examiner — Keith J Wilson

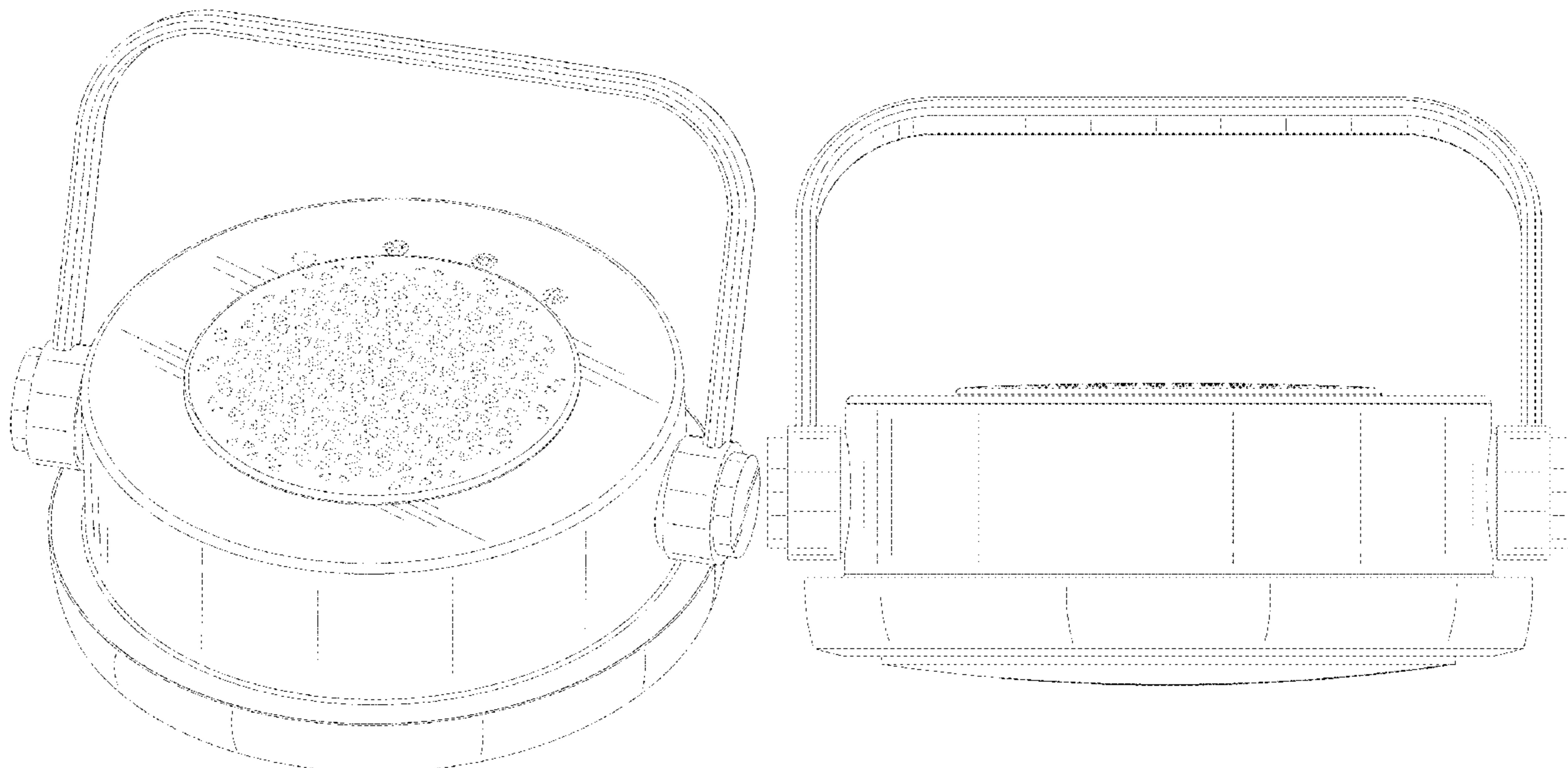
(57) **CLAIM**

The ornamental design for a filter, as shown and described.

DESCRIPTION

FIG. 1 is a front, top and right side perspective view of a filter, showing my new design;
 FIG. 2 is a front view thereof;
 FIG. 3 is a rear view thereof;
 FIG. 4 is a left side view thereof;
 FIG. 5 is a right side view thereof;
 FIG. 6 is a top view thereof; and,
 FIG. 7 is a bottom view thereof.
 The broken lines in the drawings illustrate the portions of the filter, which form no part of the claimed design.

1 Claim, 7 Drawing Sheets



(56)

References Cited

U.S. PATENT DOCUMENTS

D926,919 S * 8/2021 McNeil D23/209
D926,923 S * 8/2021 Ross D23/213
D933,776 S * 10/2021 Blum D23/213
D936,787 S * 11/2021 Morgan E03C 1/084
D23/213
D937,383 S * 11/2021 Thibodeau B29C 49/60
D23/213
D937,384 S * 11/2021 Khubani D23/213
D944,360 S * 2/2022 Stein D23/209
D946,110 S * 3/2022 Blum E03C 1/086
D23/213
D946,707 S * 3/2022 Blum E03C 1/084
D23/249
D964,507 S 9/2022 Hensinger
D966,460 S * 10/2022 Ellis D23/209
D971,729 S * 12/2022 Hegdahl D23/209
D974,525 S * 1/2023 Stein D23/213
2005/0263525 A1 * 12/2005 Yoshida B60K 15/0406
220/304
2016/0273199 A1 * 9/2016 Blum E03C 1/08
2019/0301148 A1 * 10/2019 Schurle E03C 1/08
2020/0199857 A1 * 6/2020 Stein E03C 1/086
2021/0148619 A1 * 5/2021 Wilkinson F25B 39/04
2021/0178299 A1 * 6/2021 Sullivan B01D 35/30
2021/0205743 A1 * 7/2021 Barid B01D 35/143
2021/0277639 A1 * 9/2021 Birmelin E03C 1/086
2021/0285194 A1 * 9/2021 Stein E03C 1/084
2021/0379423 A1 * 12/2021 Howell A41D 13/1161
2021/0388586 A1 * 12/2021 Stein E03C 1/084
2022/0016553 A1 * 1/2022 Russell B01D 35/306

* cited by examiner

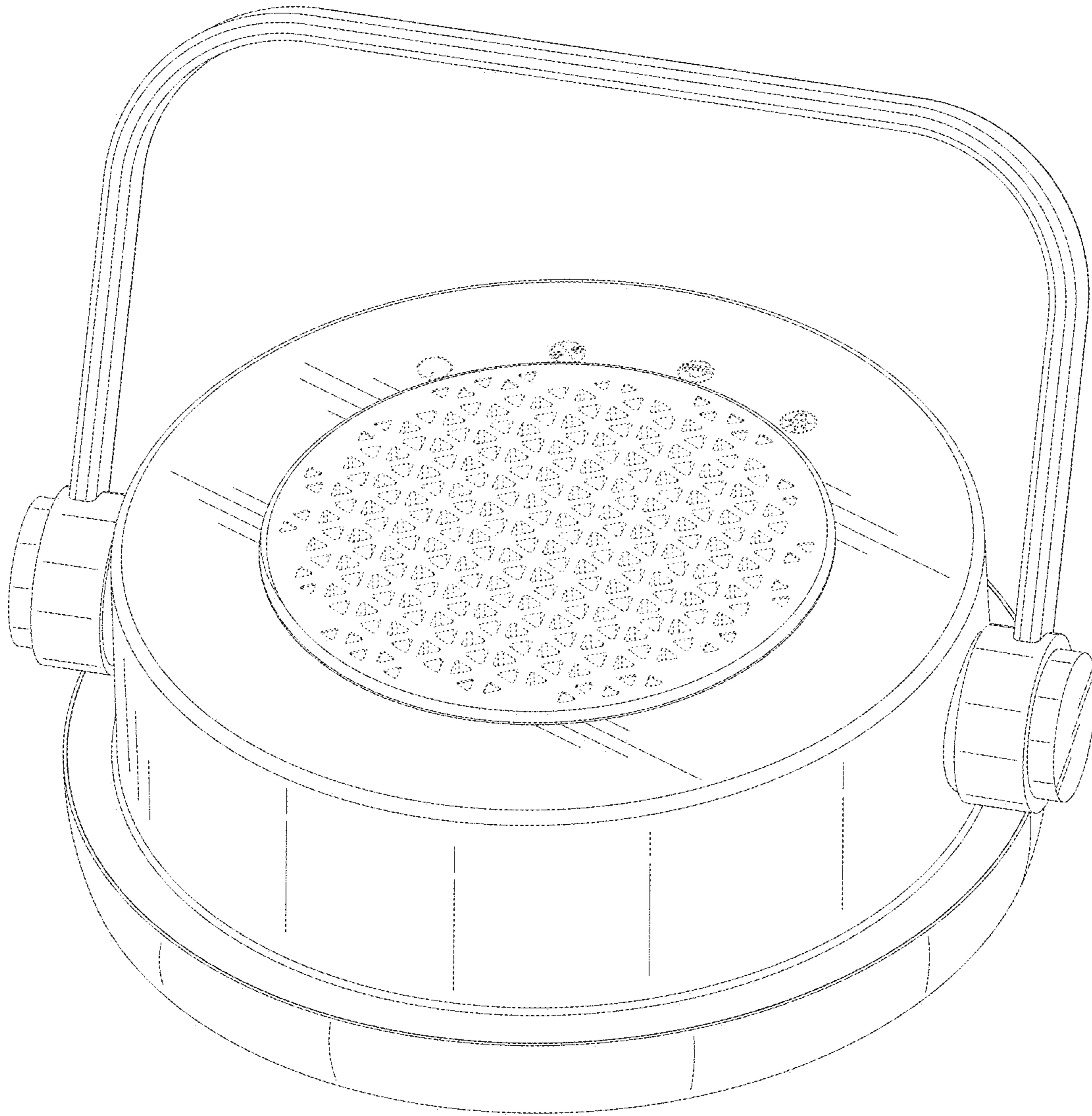


FIG. 1

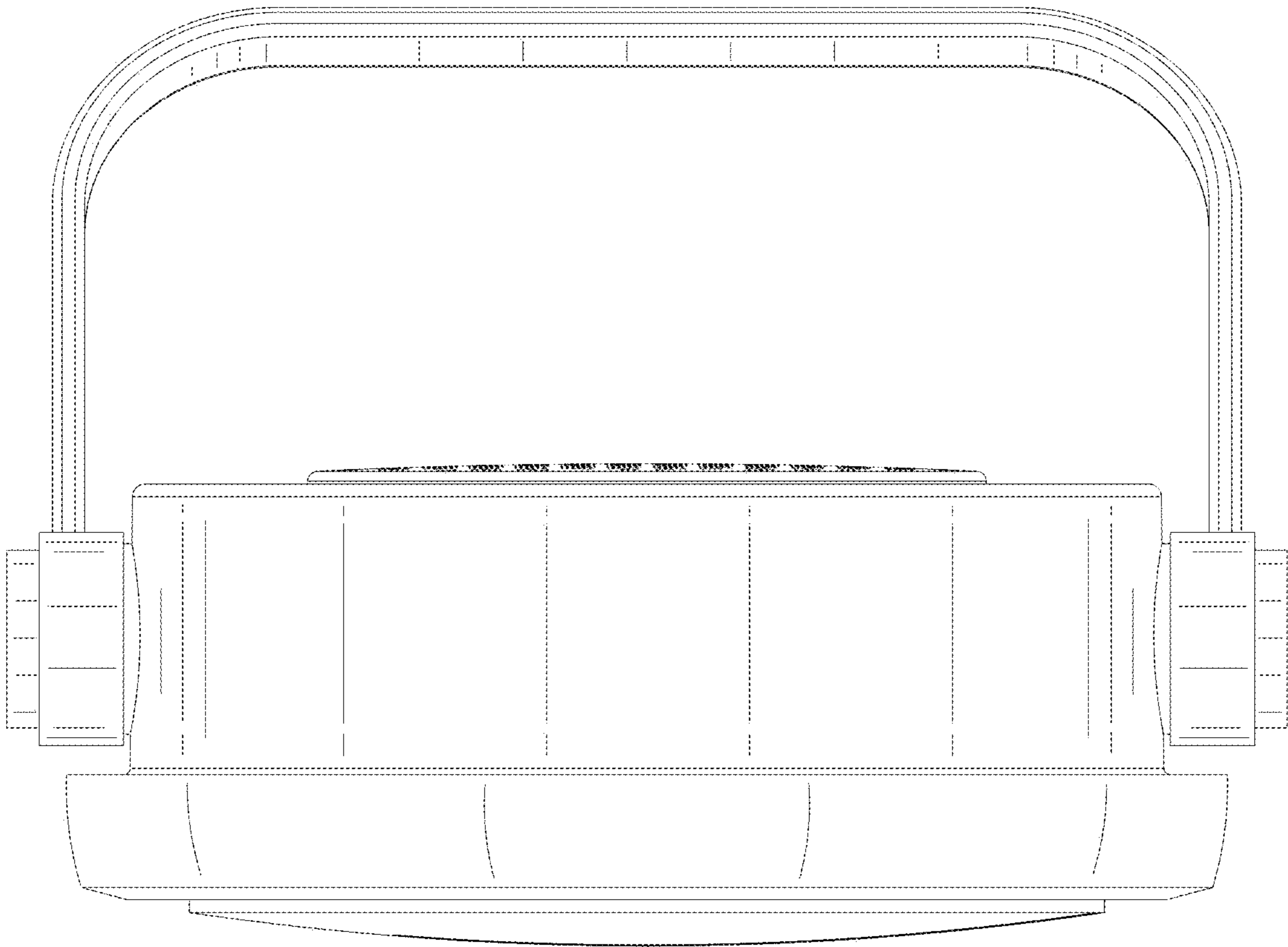


FIG. 2

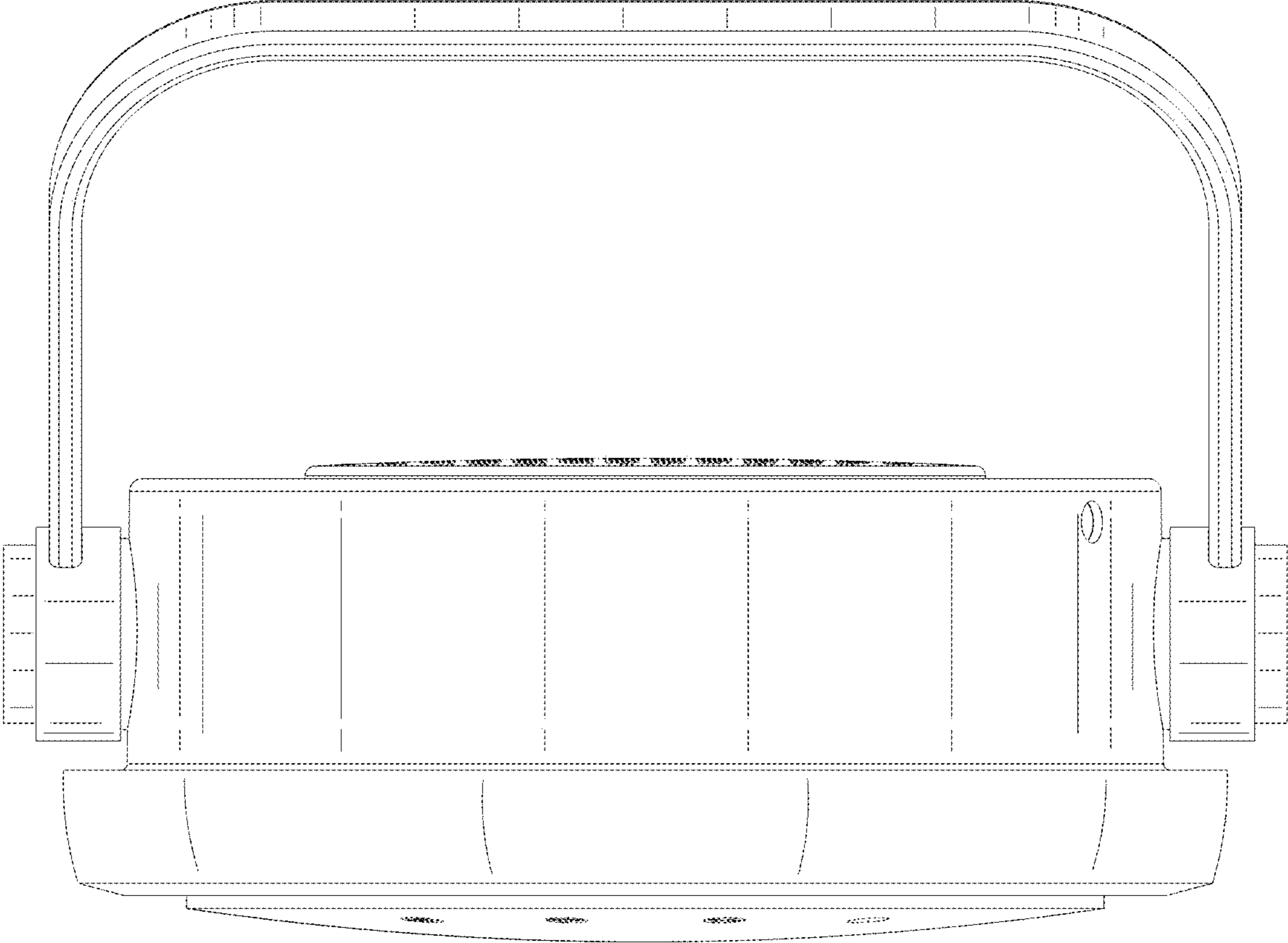


FIG. 3

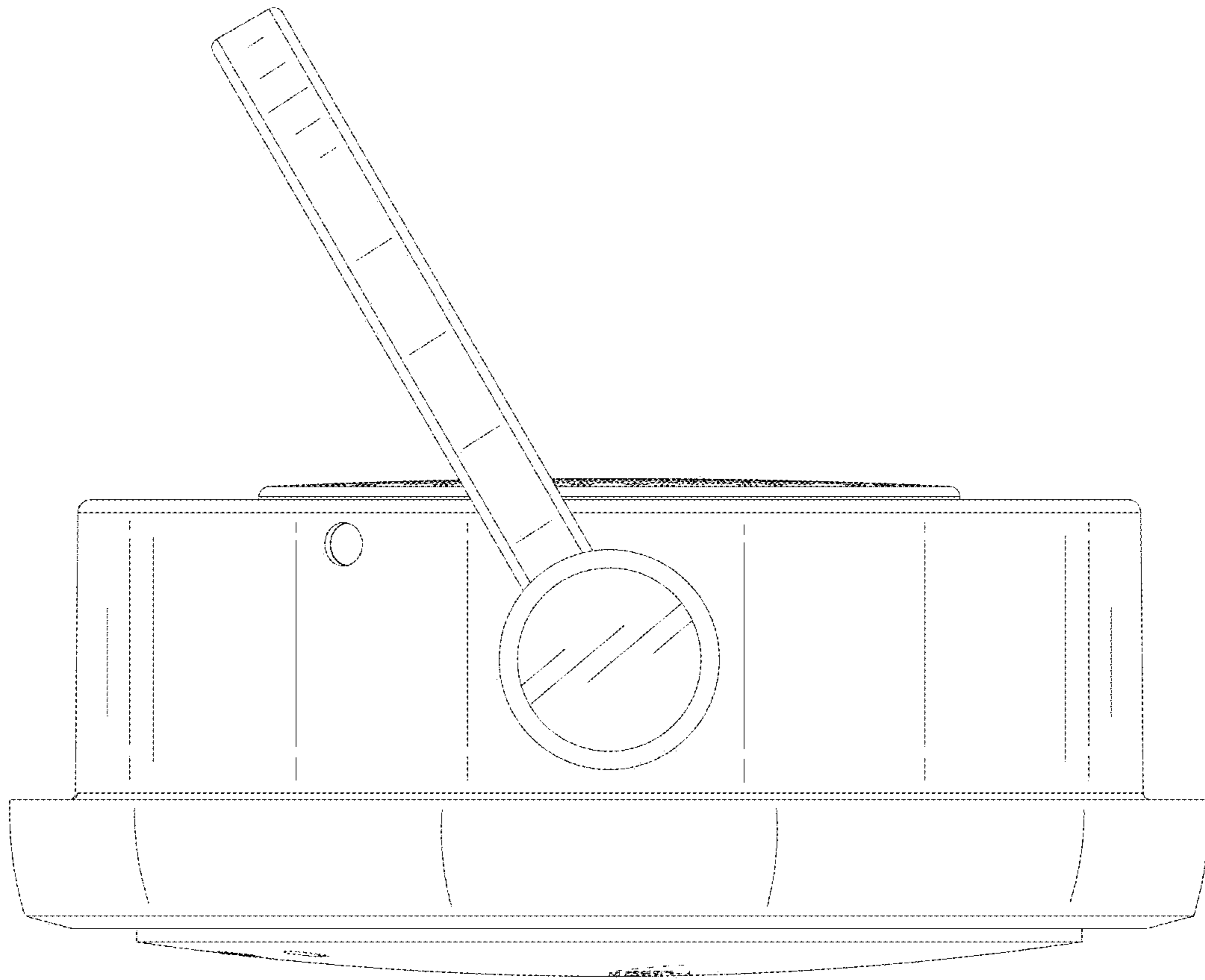


FIG. 4

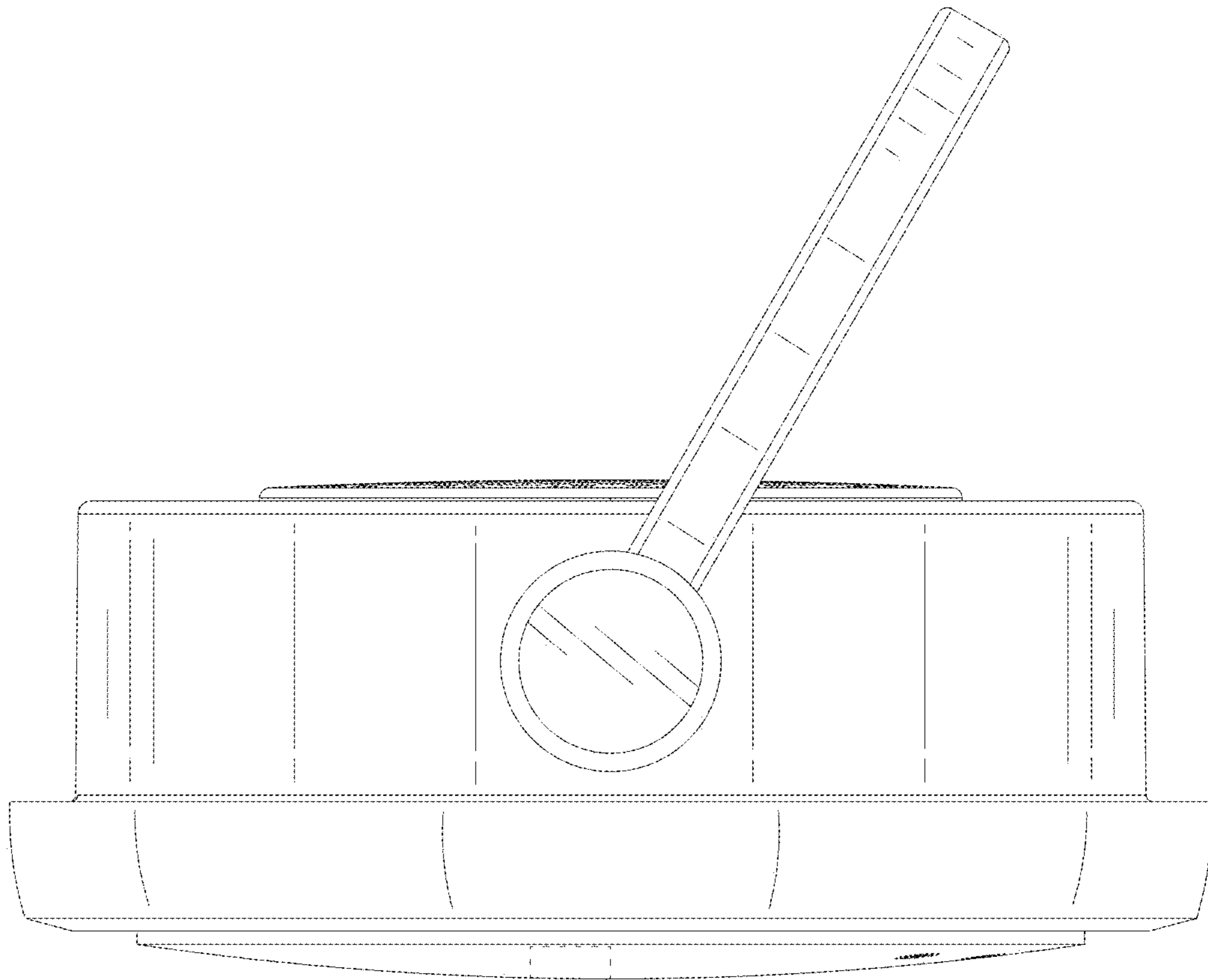


FIG. 5

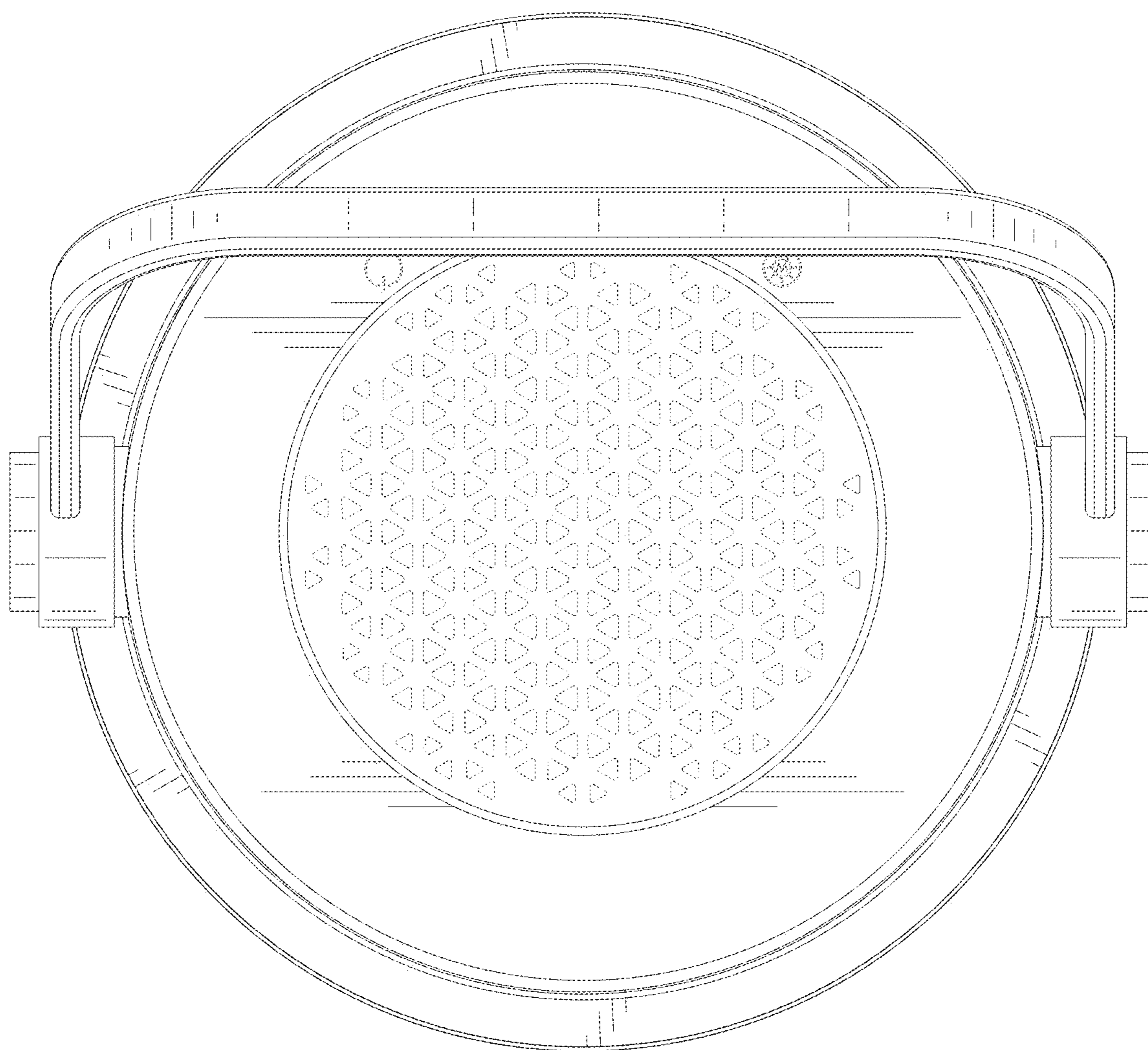


FIG. 6

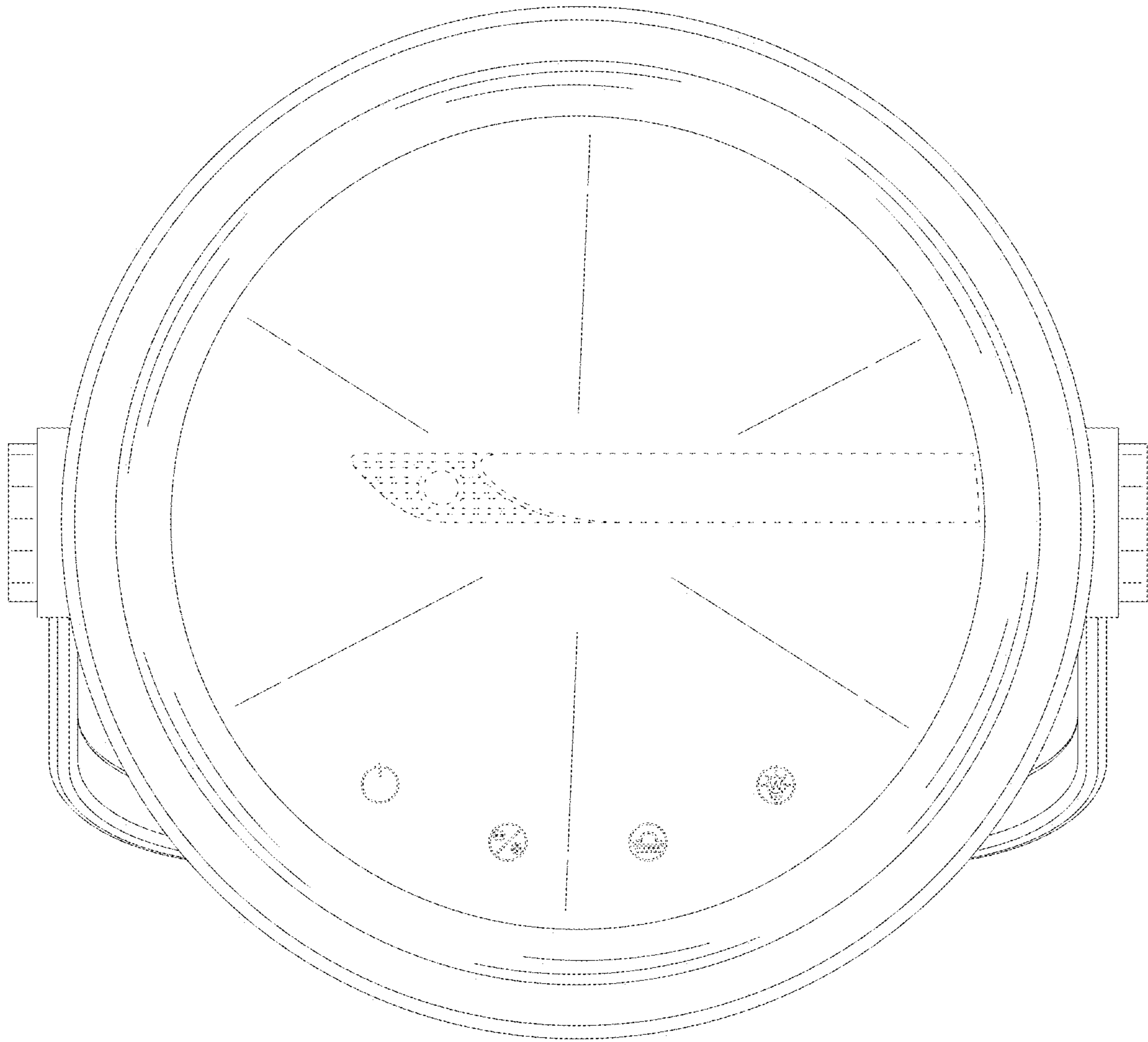


FIG. 7