



US00D987776S

(12) **United States Design Patent**  
**Chen**

(10) **Patent No.:** **US D987,776 S**

(45) **Date of Patent:** **\*\* May 30, 2023**

(54) **PET FOUNTAIN FILTER**

(71) Applicant: **Yun Chen**, Fuzhou (CN)

(72) Inventor: **Yun Chen**, Fuzhou (CN)

(\*\*) Term: **15 Years**

(21) Appl. No.: **29/817,420**

(22) Filed: **Dec. 1, 2021**

(51) **LOC (14) Cl.** ..... **23-01**

(52) **U.S. Cl.**  
USPC ..... **D23/209**

(58) **Field of Classification Search**  
USPC ..... D23/206, 207, 208, 209, 210, 355, 363,  
D23/365

CPC . A01K 7/00; A01K 7/02; A01K 7/022; A01K  
7/025; B01D 2221/02; B01D 2239/06;  
C02F 2307/10

See application file for complete search history.

(56) **References Cited**

**U.S. PATENT DOCUMENTS**

5,588,395	A *	12/1996	Lee	.....	A01K 39/02 119/72
D657,843	S *	4/2012	Lipscomb	.....	D23/209
D912,763	S *	3/2021	Huang	.....	D23/209
D912,766	S *	3/2021	Tu	.....	D23/209
D935,552	S *	11/2021	Wang	.....	D23/209
D947,990	S *	4/2022	Tao	.....	D23/209
D949,286	S *	4/2022	Tu	.....	D23/209
D949,287	S *	4/2022	Tu	.....	D23/209
D949,288	S *	4/2022	Wang	.....	D23/209
11,291,183	B1 *	4/2022	Mayer	.....	C02F 1/002
2005/0039690	A1 *	2/2005	Sage	.....	A01K 5/0114 119/61.5
2006/0230676	A1 *	10/2006	Rowe	.....	A01G 9/02 119/74
2011/0067638	A1 *	3/2011	Lipscomb	.....	A01K 7/02 137/560
2013/0019809	A1 *	1/2013	McCallum	.....	A01K 7/00 210/143

2019/0075755	A1 *	3/2019	Imaizumi	.....	A01K 39/02
2021/0212286	A1 *	7/2021	Sayers	.....	F04D 13/06
2021/0345582	A1 *	11/2021	Yoo	.....	G05D 9/12

**OTHER PUBLICATIONS**

Cat Water Supporter Filter, Feb. 26, 2021, Amazon, site visited Sep. 9, 2022: <https://www.amazon.co.jp/-/en/dp/B08XNS32X5/> (Year: 2021).\*

Ecoconut Filter Replacement, Apr. 3, 2021, Amazon, site visited Sep. 9, 2022: <https://www.amazon.com/dp/B08T8KLQ2T/> (Year: 2021).\*

Cat Water Fountain Filter Replacement, Nov. 5, 2021, Amazon, site visited Sep. 9, 2022: <https://www.amazon.com/dp/B09L4W4VDG/> (Year: 2021).\*

NPET Pet Water Fountain Filters, Apr. 28, 2020, Amazon, site visited Sep. 9, 2022: <https://www.amazon.com/dp/B087R2TVGQ/> (Year: 2020).\*

\* cited by examiner

*Primary Examiner* — Jack Reickel

*Assistant Examiner* — Bobby W Jones, II

(74) *Attorney, Agent, or Firm* — Che-Yang Chen; Law Office of Michael Chen

(57) **CLAIM**

The ornamental design for a pet fountain filter, substantially as shown and described.

**DESCRIPTION**

FIG. 1 is a bottom, front and left side perspective view of a pet fountain filter, showing my new design;

FIG. 2 is a top plan view thereof;

FIG. 3 is a bottom plan view thereof;

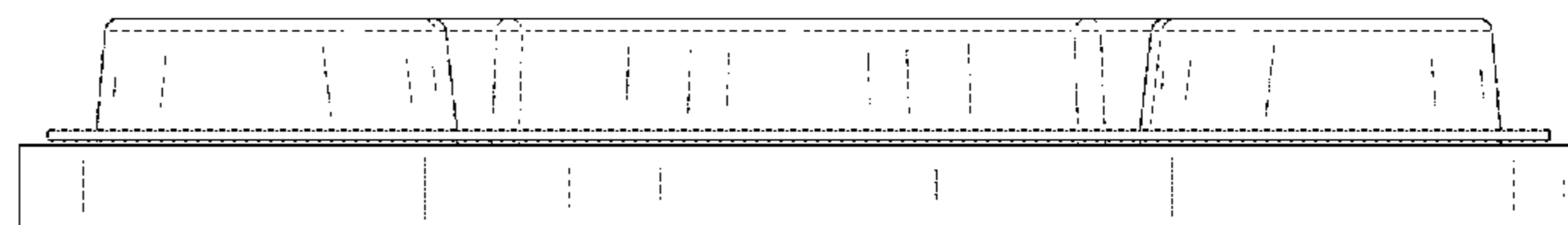
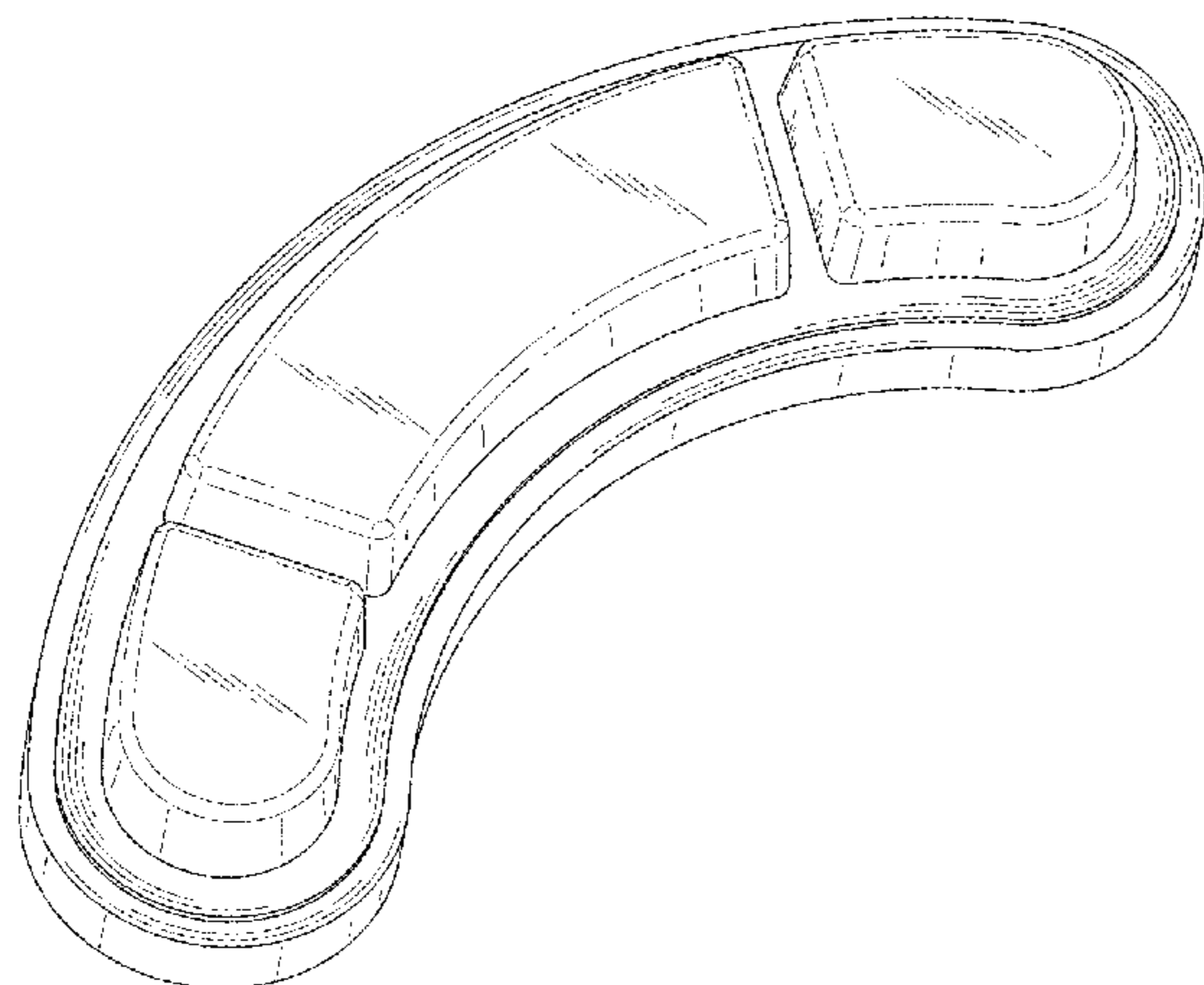
FIG. 4 is a left side elevational view thereof;

FIG. 5 is a right side elevational view thereof;

FIG. 6 is a rear elevational view thereof; and,

FIG. 7 is a front elevational view thereof.

**1 Claim, 7 Drawing Sheets**



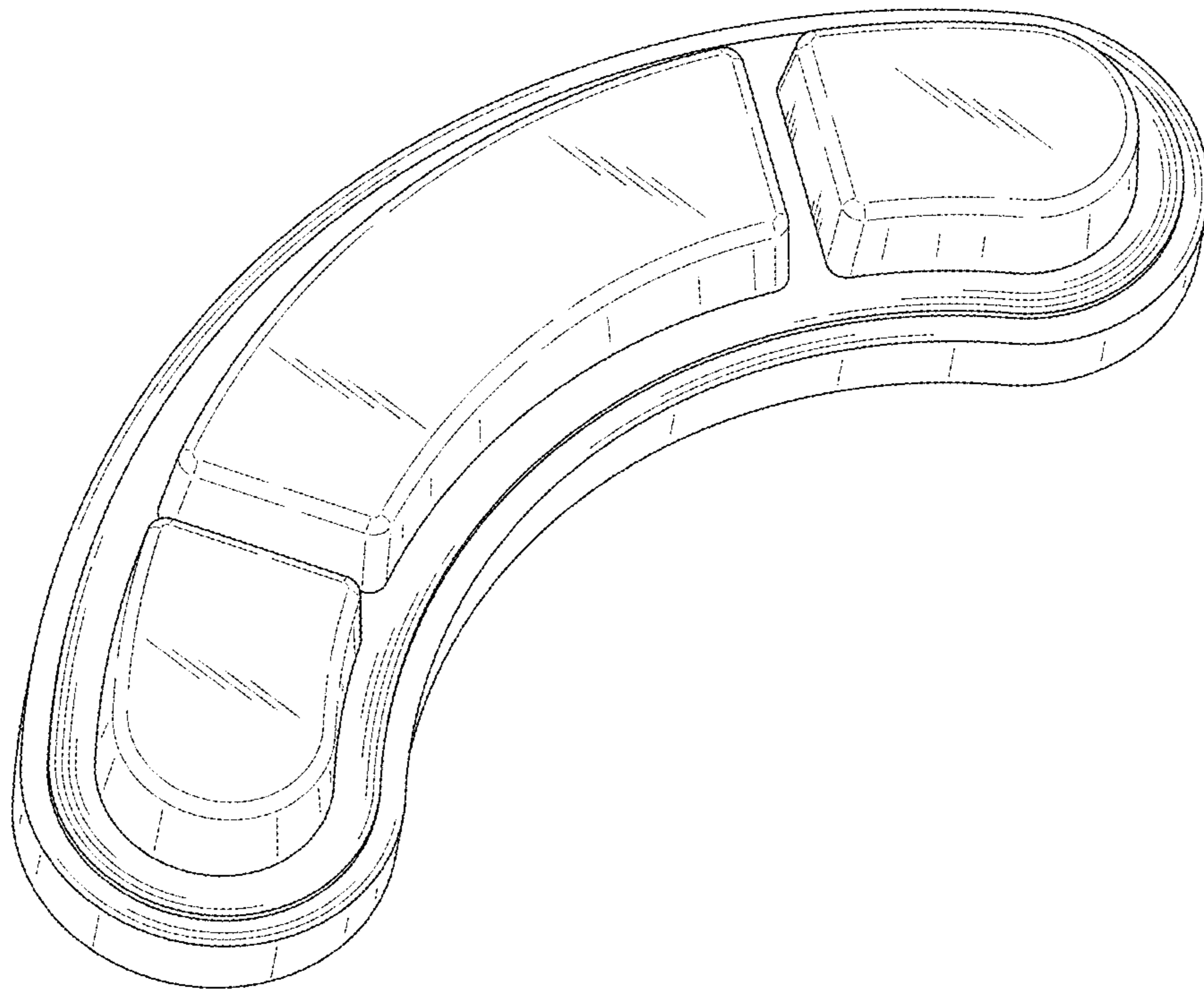


FIG. 1

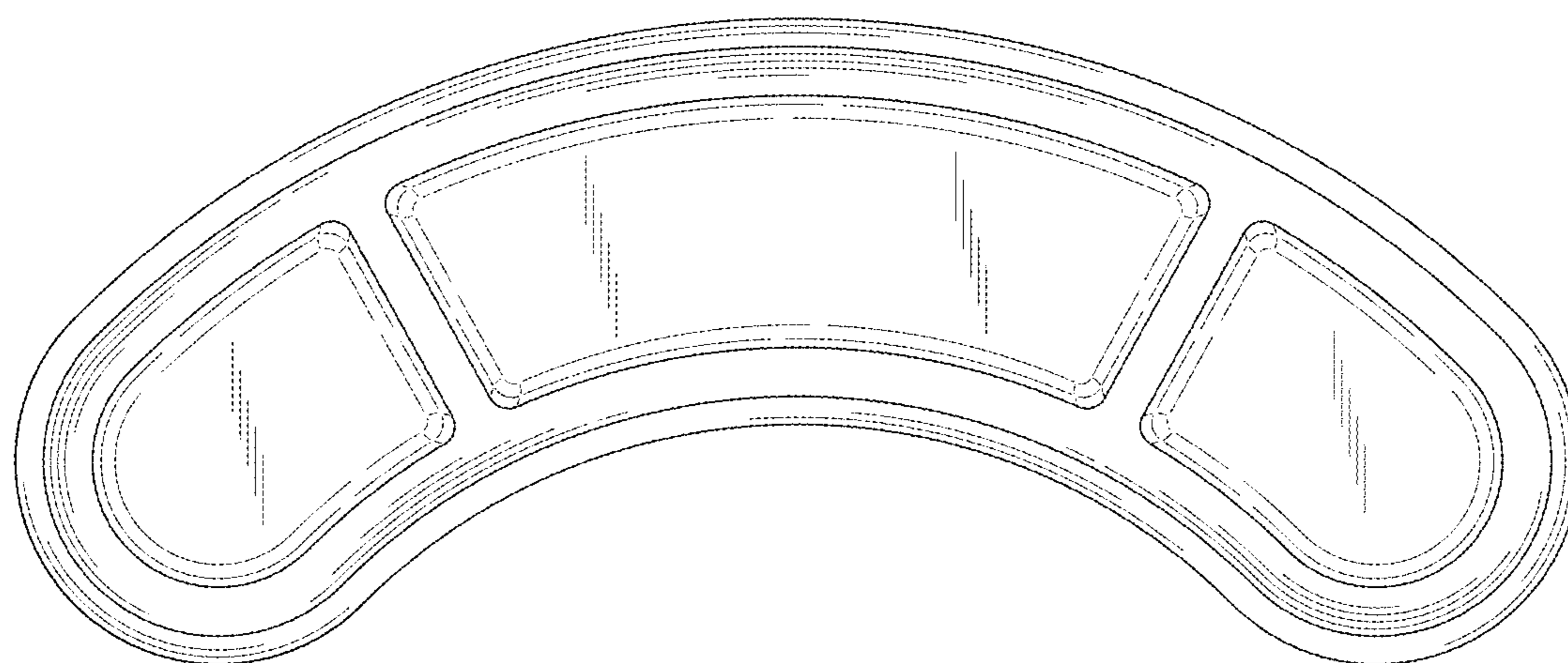


FIG. 2

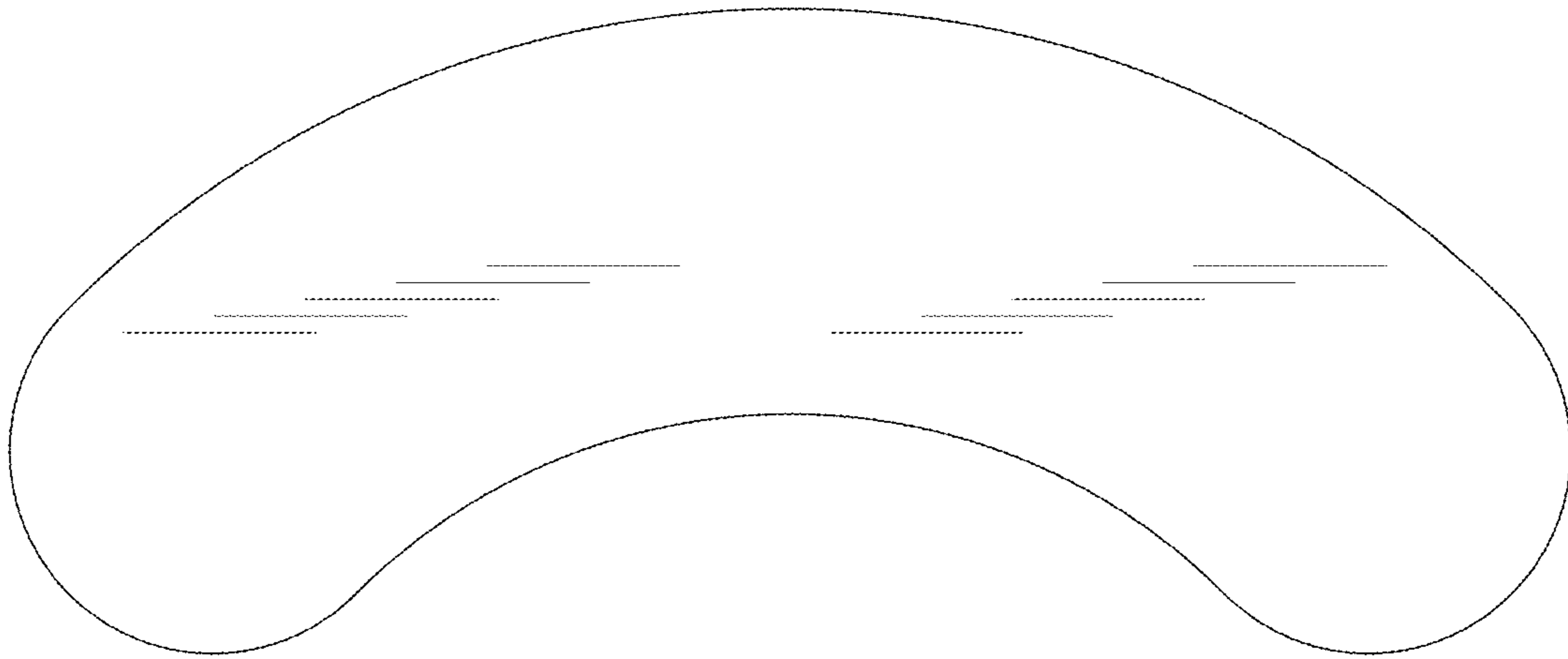


FIG. 3

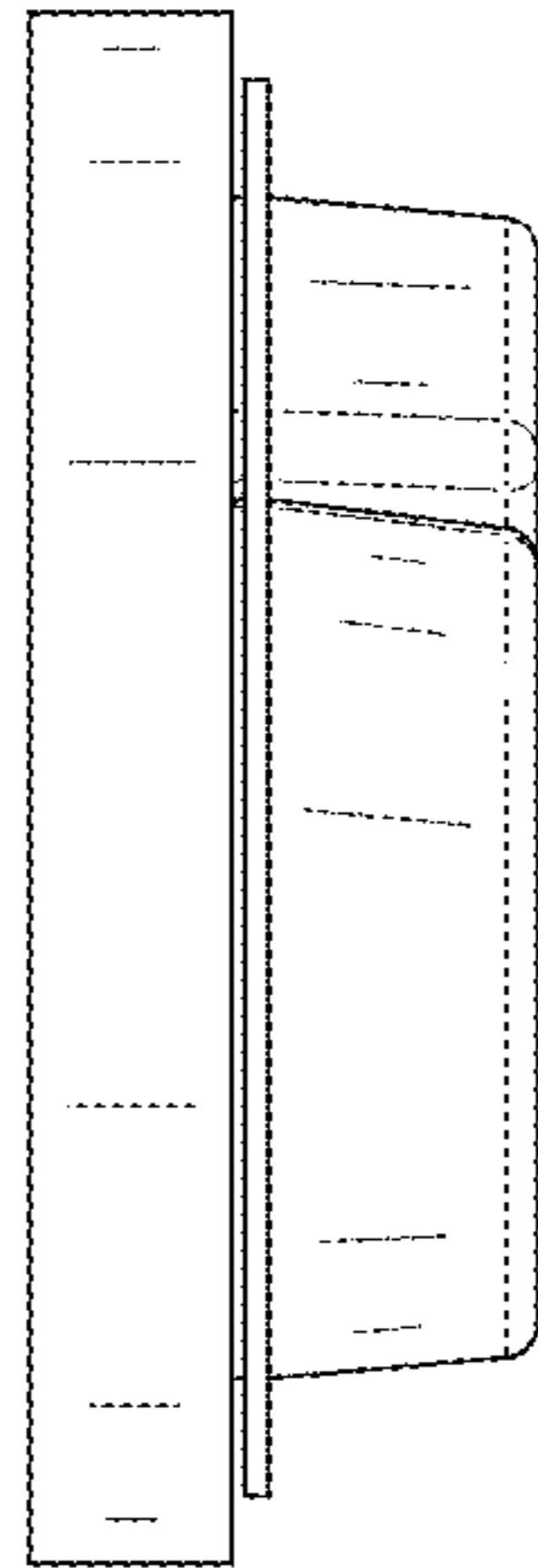


FIG.4

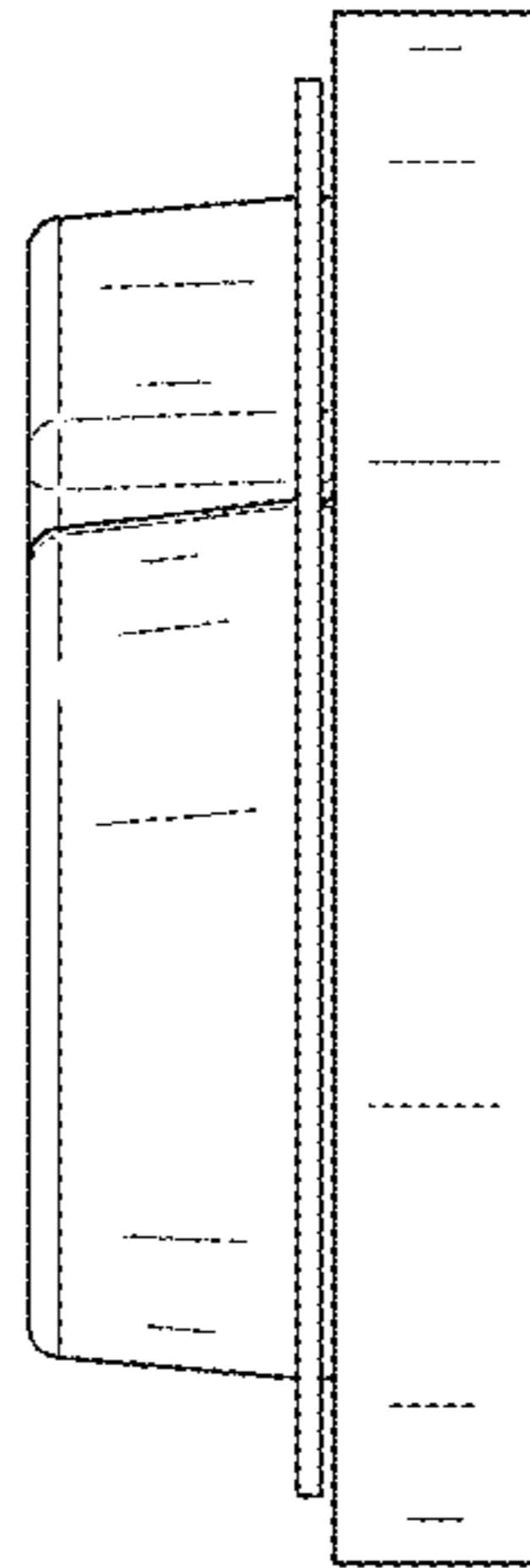


FIG. 5

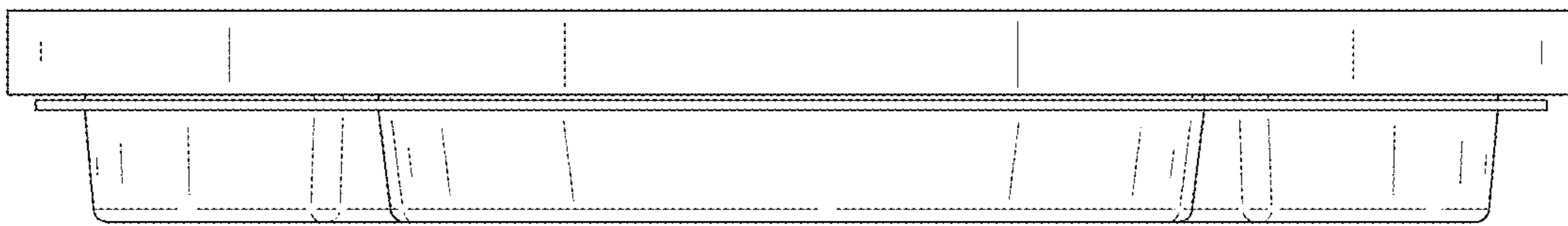


FIG. 6

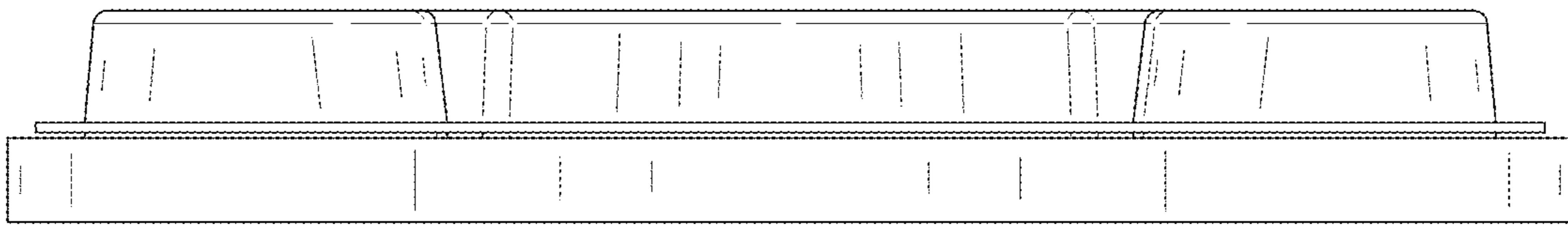


FIG. 7