



US00D987773S

(12) **United States Design Patent** (10) **Patent No.:** **US D987,773 S**
Ehrenberg et al. (45) **Date of Patent:** **** May 30, 2023**

(54) **RADIAL SEAL FILTER** D855,755 S * 8/2019 Coelho D23/209
D885,519 S * 5/2020 Suzuki D23/209
(71) Applicant: **THE SY-KLONE COMPANY, LLC,** D913,417 S * 3/2021 Huaping D23/209
Jacksonville, FL (US) (Continued)

(72) Inventors: **Eric L. Ehrenberg,** Jacksonville, FL
(US); **James G. Moredock,** Saint
Augustine, FL (US)

FOREIGN PATENT DOCUMENTS

CN 205287916 U 6/2016
DE 2824280 A1 12/1978
(Continued)

(73) Assignee: **THE SY-KLONE COMPANY, LLC,**
Jacksonville, FL (US)

OTHER PUBLICATIONS

(**) Term: **15 Years**
(21) Appl. No.: **29/797,339**
(22) Filed: **Jun. 30, 2021**

Culligan Water Filter, Sep. 20, 2004, Amazon.com, Apr. 20, 2021.
URL: [https://www.amazon.com/Culligan-R50-BBSA-Sediment-
Replacement-Cartridge/dp/B000BQWYDO](https://www.amazon.com/Culligan-R50-BBSA-Sediment-Replacement-Cartridge/dp/B000BQWYDO) (Year: 2004).*
Teirl Water Spa filtration. Jun. 5, 2018, Amazon.com, Apr. 21,
2021. URL: <https://www.amazon.com/dp/B00FW0UC9W> (Year:
2018).*
Guardian Filtration Antimicrobial, Jul. 11, 2019, Amazon.com, Apr.
21, 2021. URL: <https://www.amazon.com/dp/B01L9M3VRG> (Year:
2019).*

(Continued)

Related U.S. Application Data

(63) Continuation of application No. 17/138,052, filed on
Dec. 30, 2020.

(51) **LOC (14) Cl.** **23-01**
(52) **U.S. Cl.**

USPC **D23/209**
(58) **Field of Classification Search**
USPC D23/209, 235, 341, 358, 363-365;
D15/5
CPC B01D 46/0002; B01D 46/10; F02M 35/04;
F02M 35/10; F02M 35/024
See application file for complete search history.

Primary Examiner — Keith J Wilson
(74) *Attorney, Agent, or Firm* — Oliff PLC

(57) **CLAIM**

The ornamental design for a radial seal filter, as shown and
described.

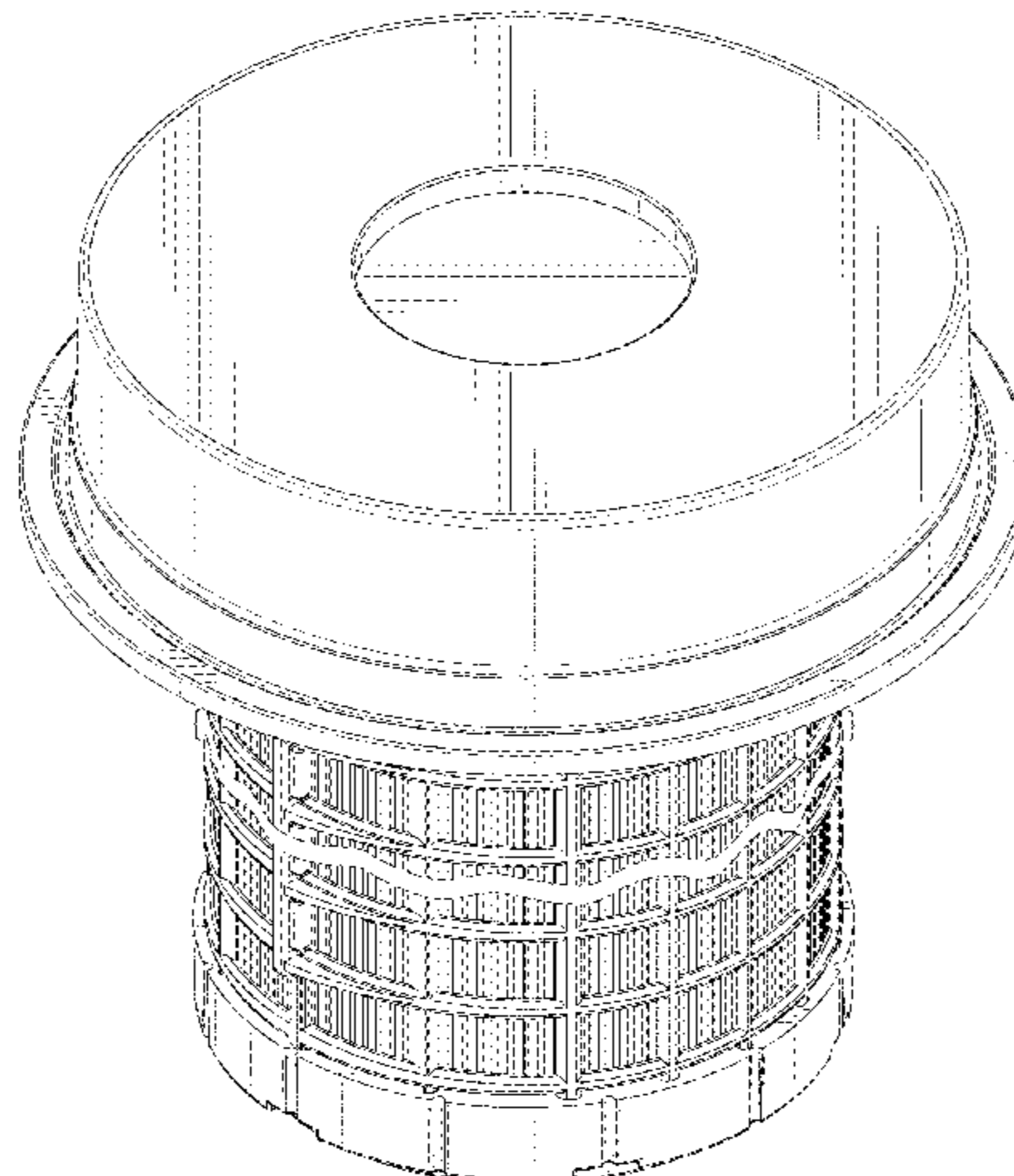
DESCRIPTION

FIG. 1 is a top, right perspective view of the radial seal filter,
showing the new design;
FIG. 2 is a front elevational view thereof;
FIG. 3 is a rear elevational view thereof;
FIG. 4 is a left-side elevational view thereof;
FIG. 5 is a right-side elevational view thereof;
FIG. 6 is a top plan view thereof;
FIG. 7 is a bottom plan view thereof; and,
FIG. 8 is a bottom, right perspective view thereof.
The appearance of any portion of the radial seal filter
between the jagged break lines, regardless of length, forms
no part of the claimed design.

(56) **References Cited**
U.S. PATENT DOCUMENTS

D306,640 S * 3/1990 Kott D23/209
5,211,846 A * 5/1993 Kott B01D 29/21
210/232
D403,740 S * 1/1999 Kott D23/209
5,954,849 A 9/1999 Berkhoel et al.
6,447,567 B1 9/2002 Ehrenberg
D638,034 S * 5/2011 Jiang D15/5
D773,014 S * 11/2016 Pale D23/209
D849,899 S * 5/2019 Bryant D23/341

1 Claim, 8 Drawing Sheets



(56)

References Cited

U.S. PATENT DOCUMENTS

D916,238 S * 4/2021 Coelho D23/209
 D967,370 S * 10/2022 Han D23/364
 11,486,339 B2 11/2022 Lejstrand et al.
 2004/0124129 A1* 7/2004 Booth B01D 29/96
 210/232
 2010/0051537 A1 3/2010 Amesoeeder et al.
 2010/0146920 A1 6/2010 Iddings et al.
 2010/0243554 A1* 9/2010 Herrin B01D 29/232
 210/457
 2010/0263339 A1 10/2010 Steins et al.
 2011/0168647 A1* 7/2011 Wieczorek B01D 29/21
 210/799
 2012/0080372 A1* 4/2012 Ries B01D 35/005
 210/440
 2014/0102058 A1 4/2014 Kaufmann et al.
 2014/0224129 A1 8/2014 Kaufmann et al.
 2014/0260982 A1 9/2014 Williams et al.
 2015/0113931 A1 4/2015 Bartel et al.
 2018/0036667 A1 2/2018 Neef et al.
 2018/0112429 A1* 4/2018 Coelho C02F 1/001
 2018/0264382 A1* 9/2018 Dani B01D 29/96
 2019/0054410 A1* 2/2019 Tanaka B01D 46/52
 2019/0060814 A1 2/2019 Donauer et al.
 2019/0060815 A1 2/2019 Movia et al.
 2019/0070549 A1 3/2019 Fritzsching et al.
 2020/0023296 A1 1/2020 Stark et al.
 2021/0370215 A1* 12/2021 Ehrenberg B01D 46/009
 2022/0410059 A1* 12/2022 Ehrenberg B01D 46/009

FOREIGN PATENT DOCUMENTS

DE 19547664 A1 6/1997
 DE 102007017091 A1 10/2008

DE 102014009323 A1 12/2015
 JP 2014-529483 A 11/2014
 WO 2013/019364 A1 2/2013

OTHER PUBLICATIONS

Dodge Ram 6.7 Liter Diesel Fuel Filter Water Separator Set, Dec. 31, 2016, amazon.ca, Jan. 13, 2023, URL: <https://www.amazon.ca/Dodge-Liter-Diesel-Filter-Separator/dp/B01MF70UW8/> (Year: 2016).
 Notonmek New Filter Set Filters, Nov. 30, 2020, amazon.ca, Jan. 13, 2023, URL: <https://www.amazon.ca/Notonmek-SB190-SB210-SB230-SB330/dp/B08PB5GBSJ/> (Year: 2020).
 Oct. 4, 2021 Partial Search Report issued in European Patent Application No. 21171390.4.
 Sep. 26, 2022 Office Action issued in Australian Patent Application No. 2021202580.
 Jul. 15, 2022 Search Report issued in Chinese Patent Application No. 202110483726.5.
 Jul. 21, 2022 Office Action issued in Chinese Patent Application No. 202110483726.5.
 Dec. 15, 2021 Extended Search Report issued in European Patent Application No. 21171390.4.
 Nov. 10, 2022 Non-Final Office Action Issued in U.S. Appl. No. 17/138,052.
 Nov. 1, 2022 Office Action issued in Japanese Patent Application No. 2021-076353.
 Feb. 8, 2023 Notice of Allowance Issued In U.S. Appl. No. 29/797,345.
 Feb. 14, 2023 Notice of Allowance Issued In U.S. Appl. No. 29/797,382.
 Feb. 21, 2023 Notice of Allowance Issued In U.S. Appl. No. 29/797,348.
 Feb. 8, 2023 Notice of Allowance Issued In U.S. Appl. No. 29/797,378.
 Feb. 15, 2023 Notice of Allowance Issued In U.S. Patent Design U.S. Appl. No. 29/797,376.

* cited by examiner

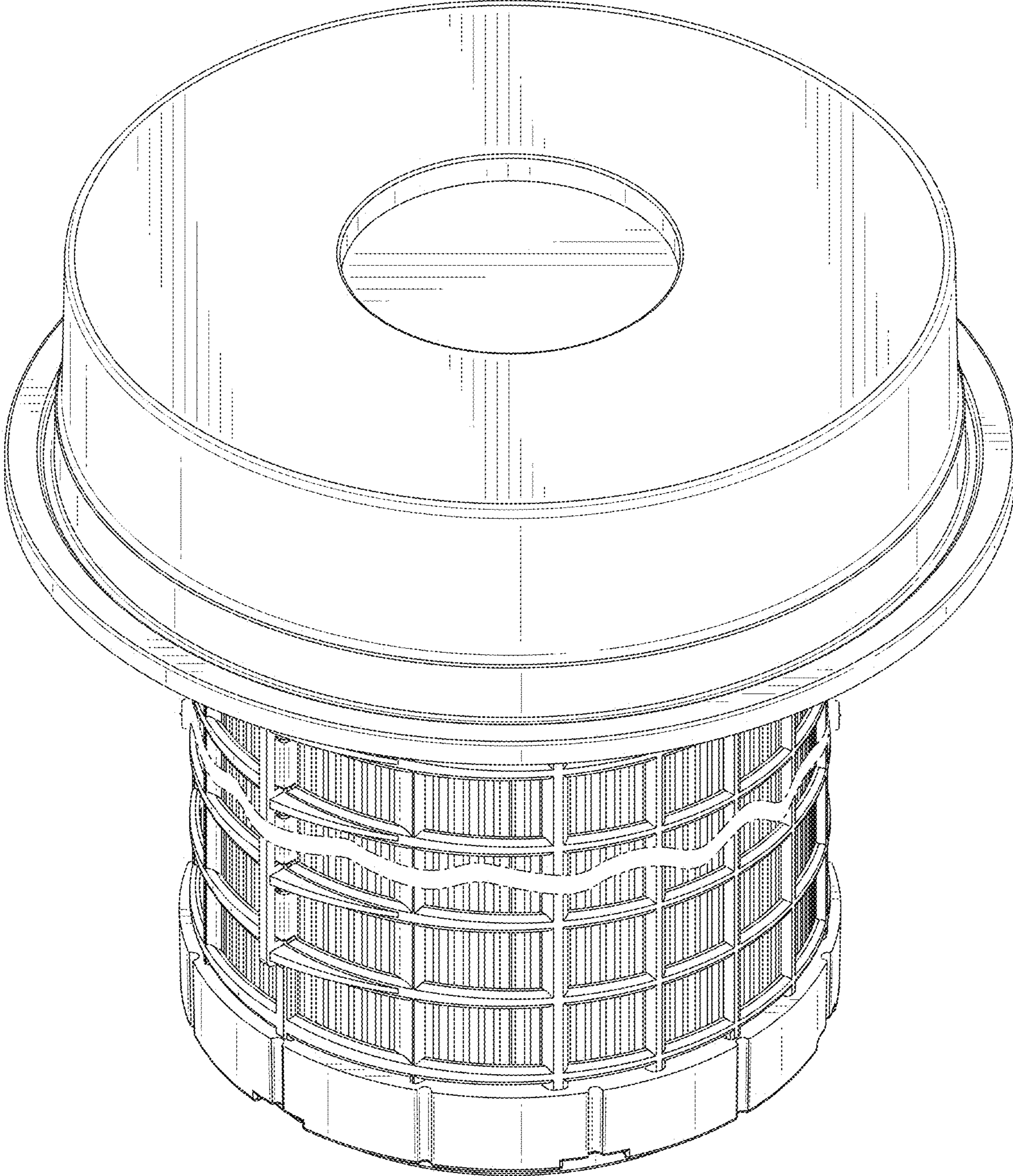


FIG. 1

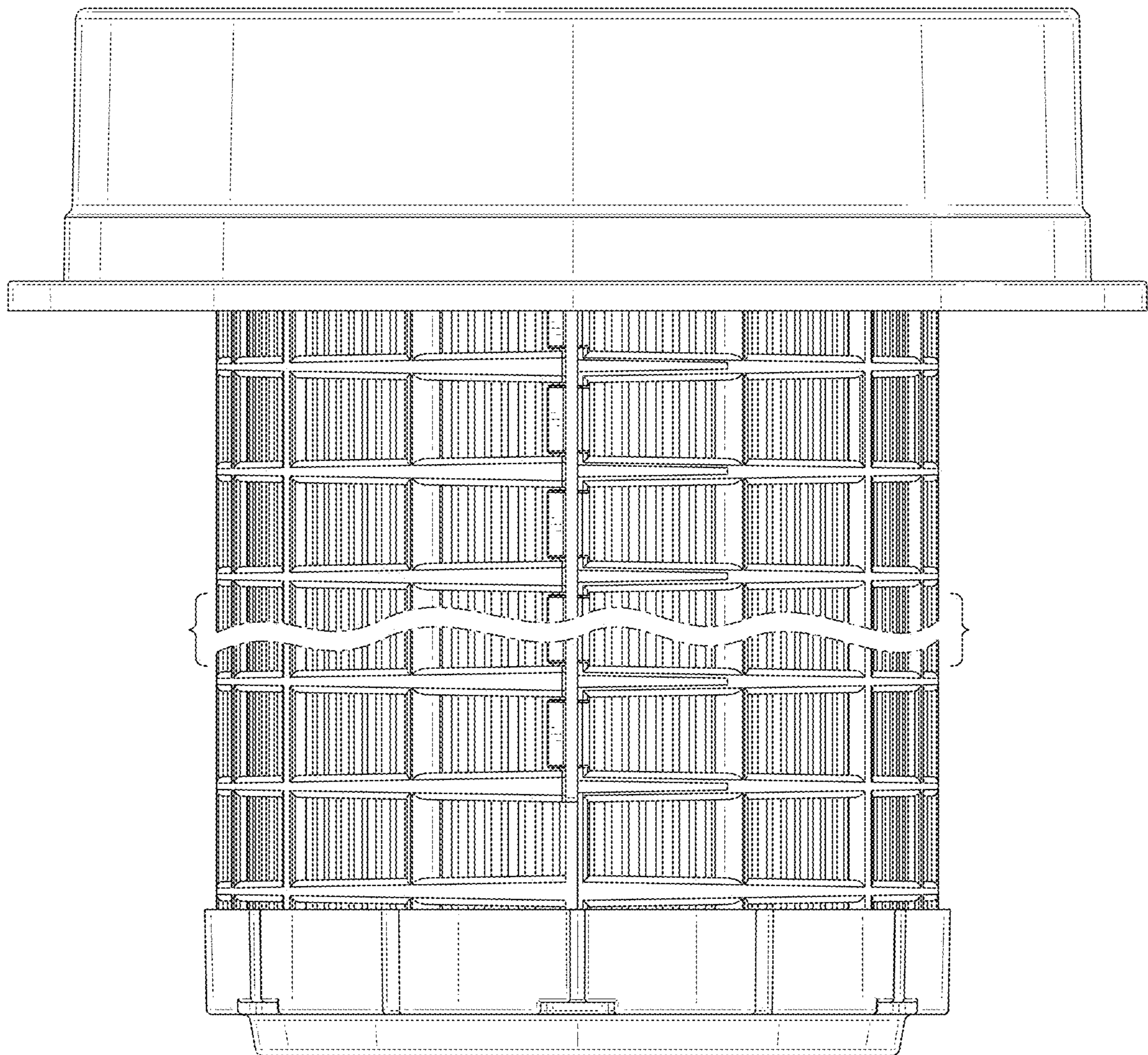


FIG. 2

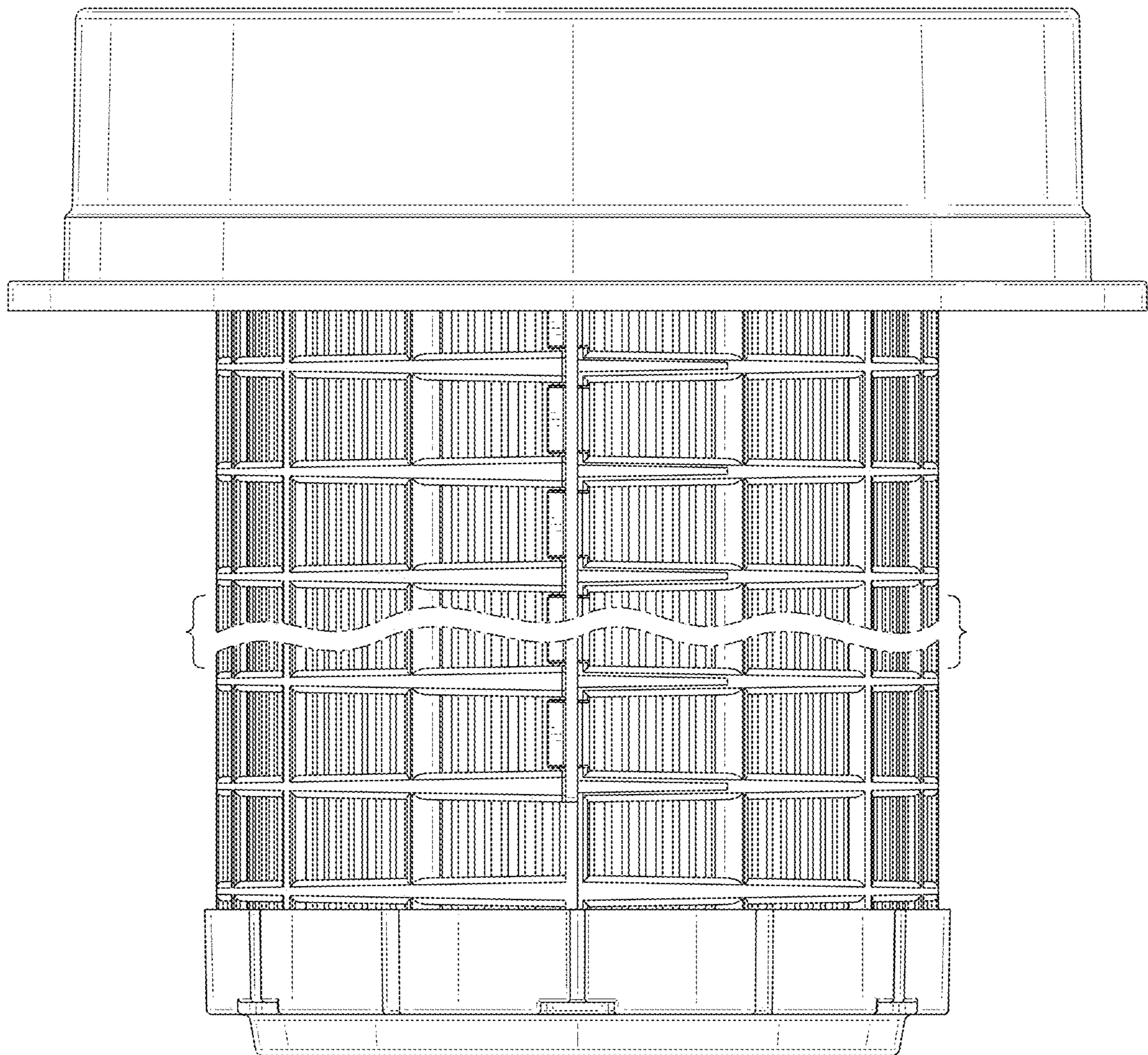


FIG. 3

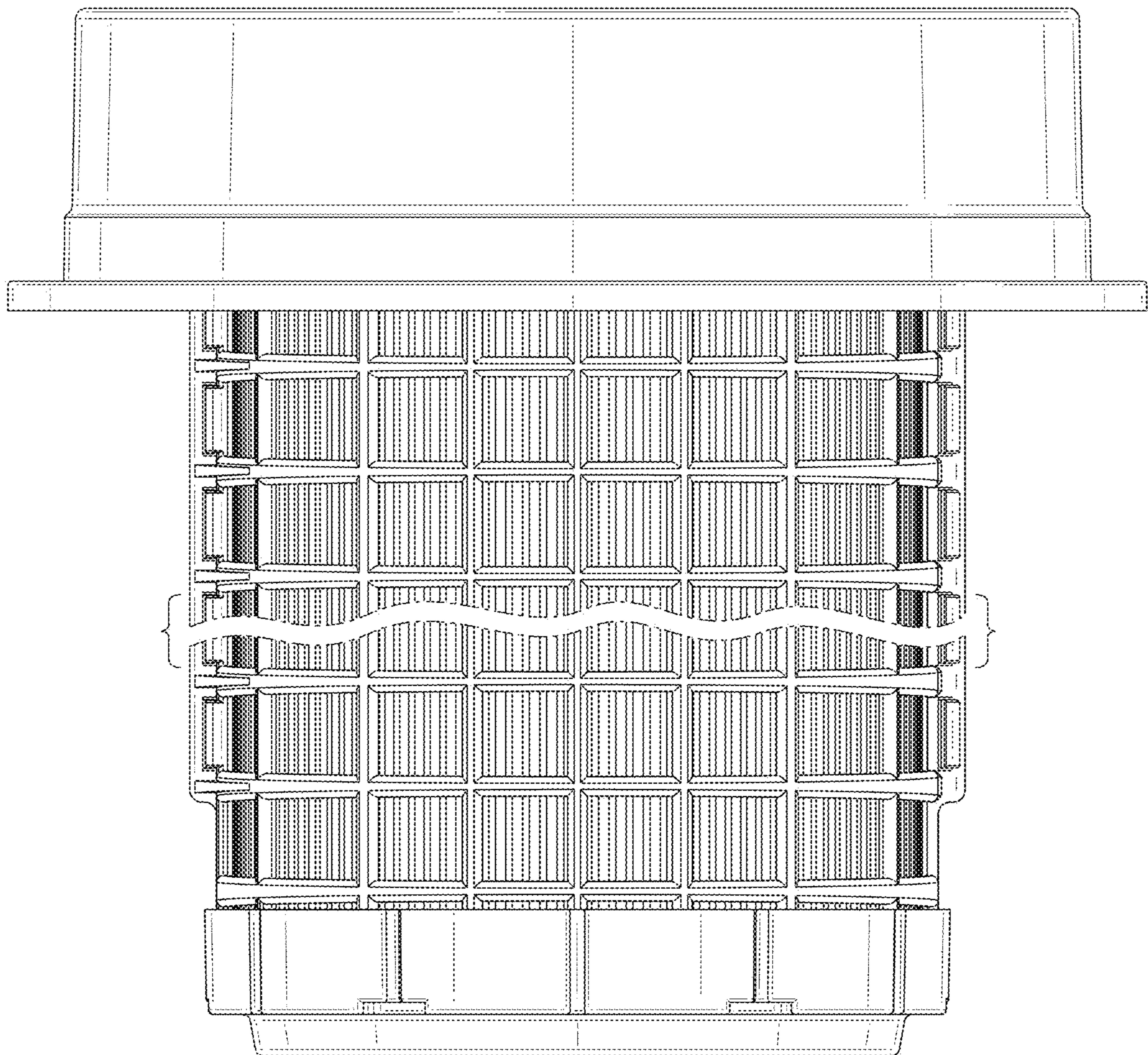


FIG. 4

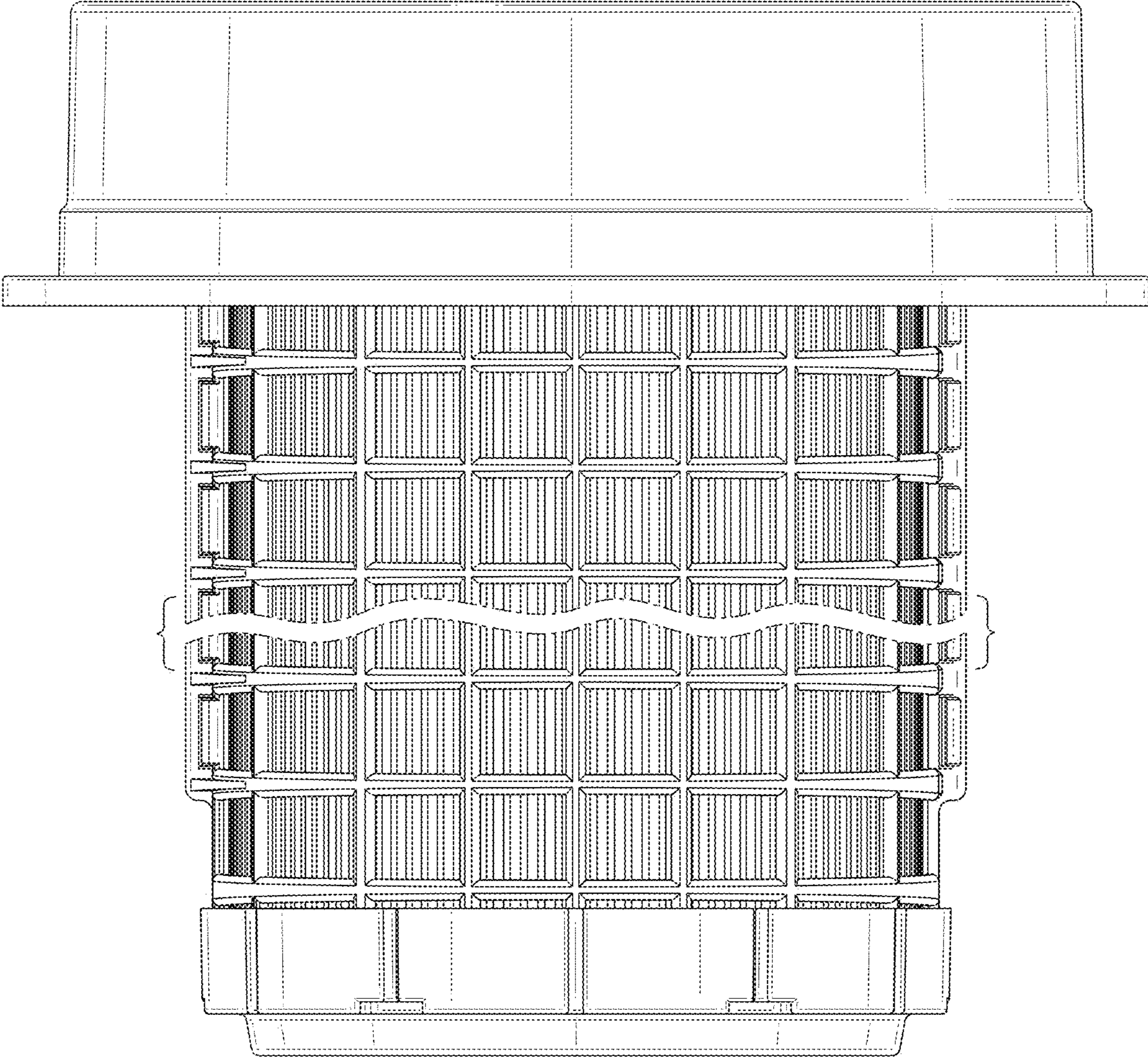


FIG. 5

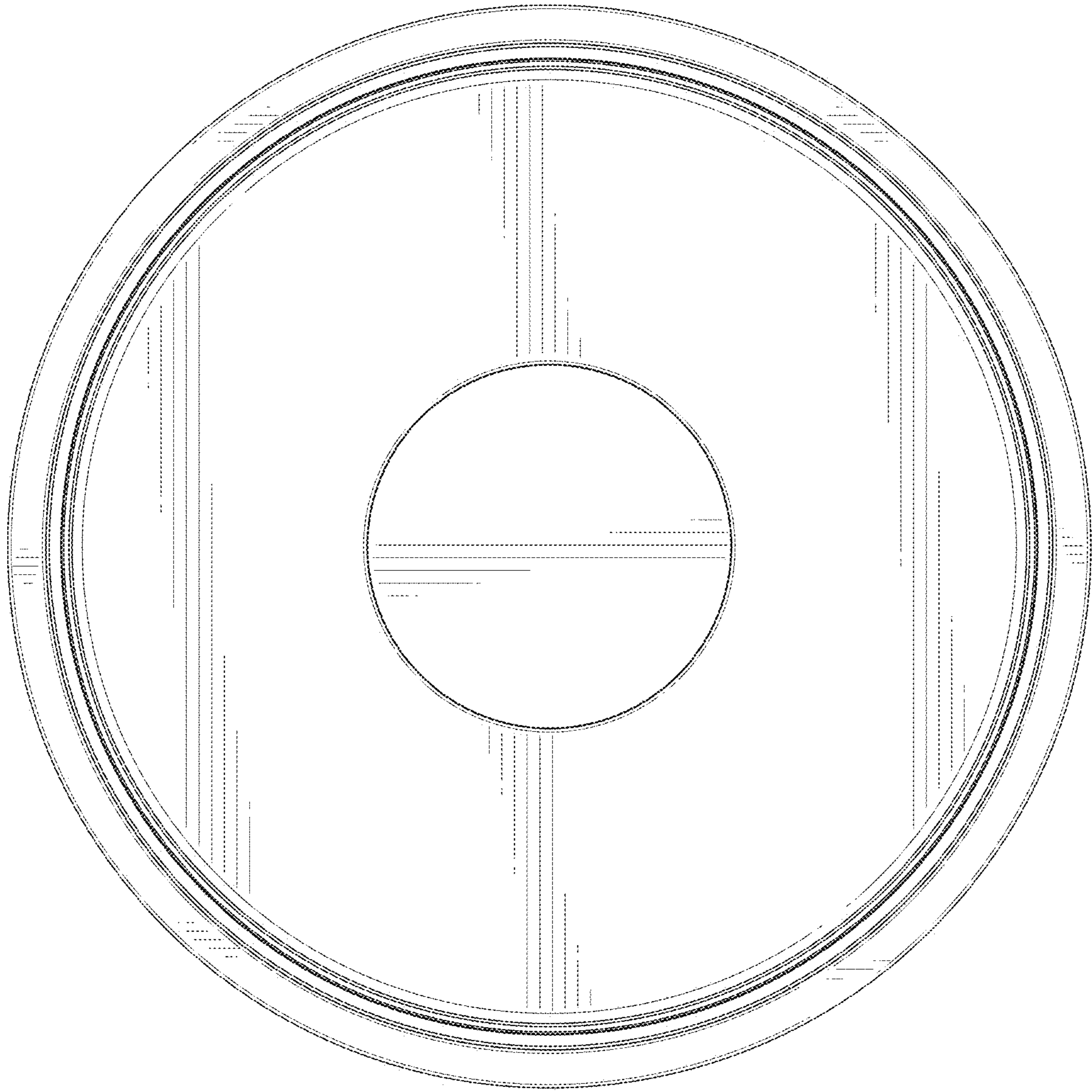


FIG. 6

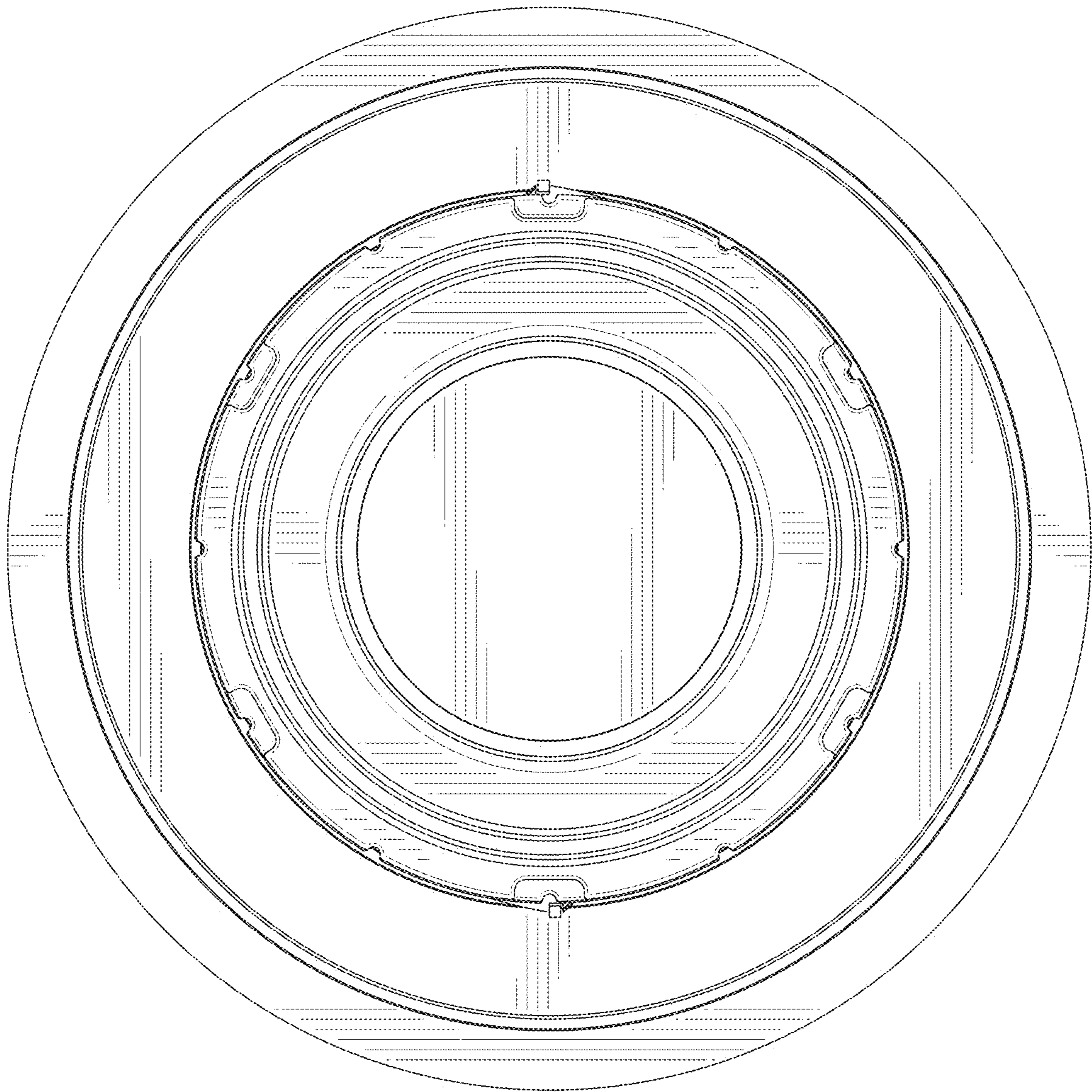


FIG. 7

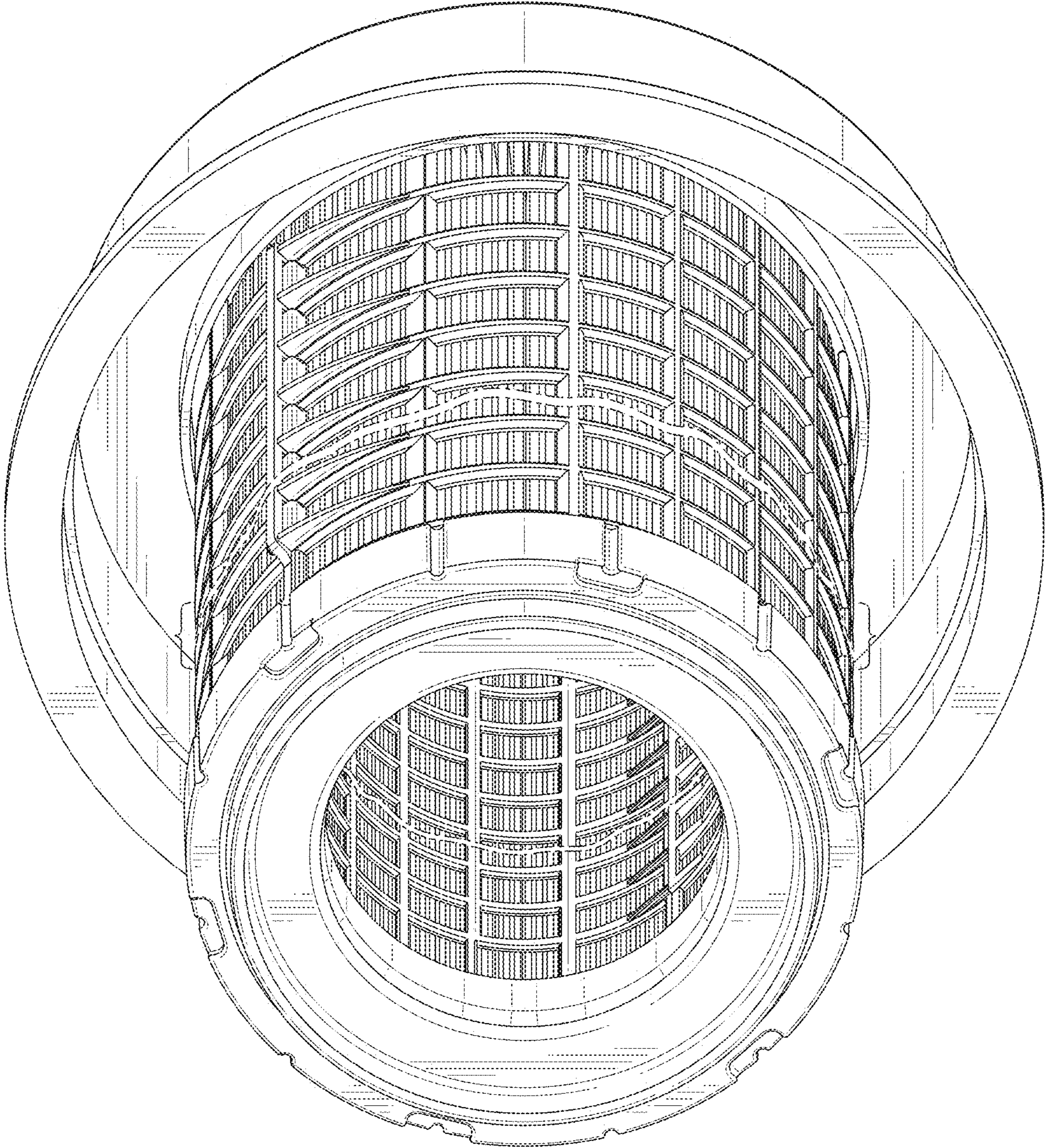


FIG. 8