



US00D987769S

(12) **United States Design Patent** (10) **Patent No.:** **US D987,769 S**
Anderson (45) **Date of Patent:** **** May 30, 2023**

(54) **BAIT CUTTING GUIDE**
(71) Applicant: **Michael Thomas Anderson**, Barnum, MN (US)
(72) Inventor: **Michael Thomas Anderson**, Barnum, MN (US)
(**) Term: **15 Years**
(21) Appl. No.: **29/770,343**
(22) Filed: **Feb. 11, 2021**
(51) **LOC (14) Cl.** **22-05**
(52) **U.S. Cl.**
USPC **D22/149**
(58) **Field of Classification Search**
USPC D22/149, 144, 199, 134; D7/673, 698
CPC .. B43L 7/00; B23Q 3/00; B27G 13/00; B27G 5/00; B27G 19/00; G01C 1/00
See application file for complete search history.

5,797,192 A * 8/1998 Curtis A47G 27/0487
33/526
5,813,306 A * 9/1998 Jacoff B27G 5/026
83/762
D654,333 S * 2/2012 Aguirre D7/699
D708,696 S * 7/2014 Corbett, Jr. D22/134

OTHER PUBLICATIONS

Sea Time, posted Mar. 11, 2022 [online], [retrieved Apr. 5, 2023]. Retrieved from internet, https://www.youtube.com/watch?v=IUb2_Prf40A (Date:2023) (Year: 2022).*
Sea Time 30 sec, posted Jan. 19, 2021 [online], [retrieved Apr. 5, 2023]. Retrieved from internet, <https://www.facebook.com/SeaTimeSportFishing/photos/a.150491052255000/741567416480691/> (Date:2023) (Year: 2021).*

(Continued)

Primary Examiner — Christian P. McLean
Assistant Examiner — Kristopher Michael Blechschmidt
(74) *Attorney, Agent, or Firm* — Vidas, Arrett & Steinkraus PA; Richard Arrett; Edwin E. Voigt, II

(56) **References Cited**

U.S. PATENT DOCUMENTS

470,754 A * 3/1892 Hartig B43L 7/00
33/483
781,117 A * 1/1905 Willits G01C 15/00
33/492
D47,697 S * 8/1915 Korpa 30/304
1,462,717 A * 7/1923 Maus A23G 9/285
D7/673
2,398,192 A * 4/1946 Scheminger, Jr. B26B 29/063
D7/673
3,811,356 A * 5/1974 Wyler B27G 5/02
83/762
4,095,500 A * 6/1978 Rouse B27G 5/026
83/762
4,133,238 A * 1/1979 Jacobs B26B 29/063
83/762
5,680,803 A * 10/1997 Vizurraga B26B 29/063
83/468.5

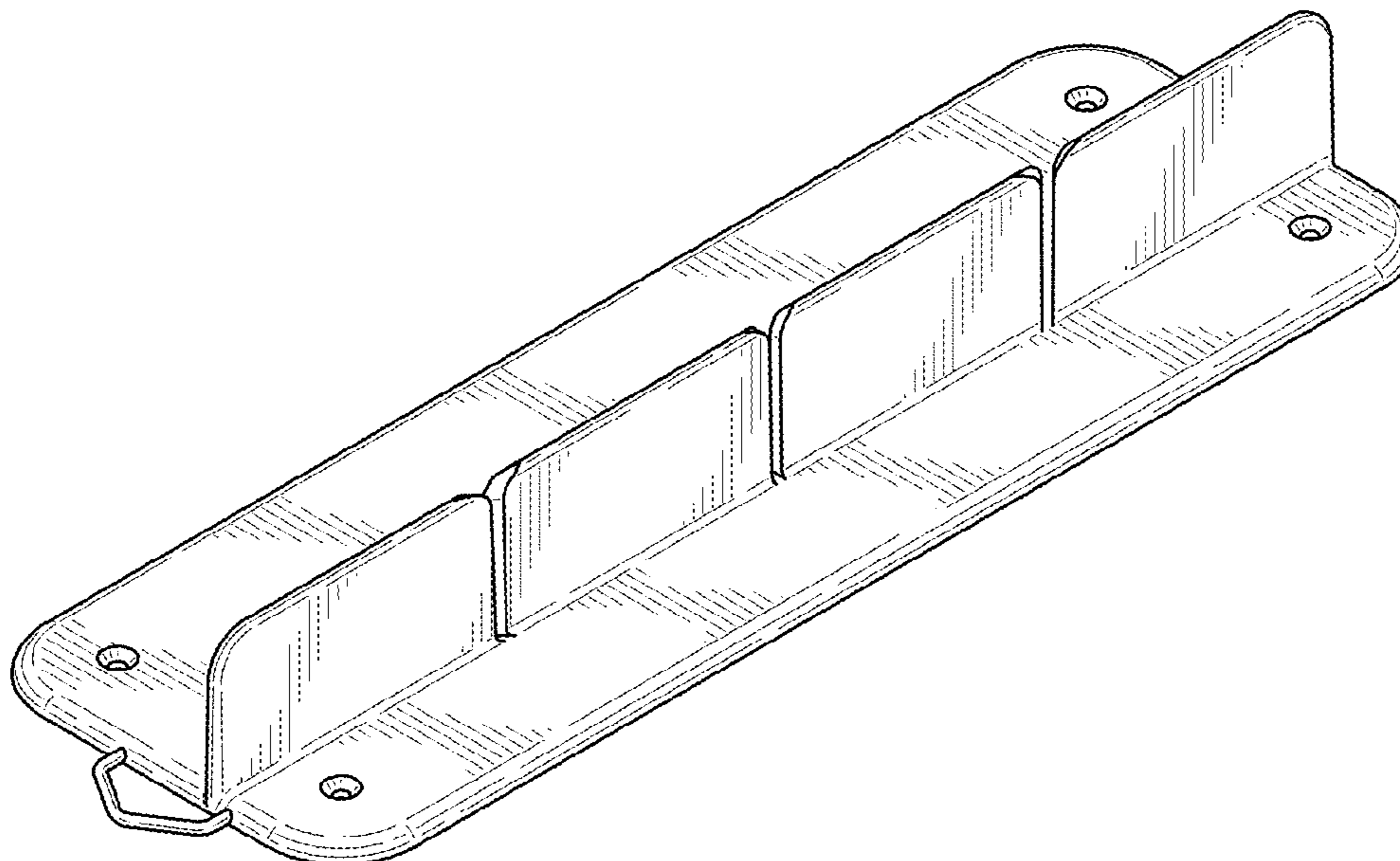
(57) **CLAIM**

The ornamental design for a bait cutting guide, as shown and described.

DESCRIPTION

FIG. 1 is a right front and top perspective view of the bait cutting guide.
FIG. 2 is right side of the bait cutting guide.
FIG. 3 is a left side view of the bait cutting guide.
FIG. 4 is a top view of the bait cutting guide.
FIG. 5 is a bottom view of the bait cutting guide.
FIG. 6 is a front view of the bait cutting guide; and,
FIG. 7 is back view of the bait cutting guide.

1 Claim, 4 Drawing Sheets



(56)

References Cited

OTHER PUBLICATIONS

So weve now, posted Mar. 17, 2021 [online], [retrieved Apr. 5, 2023]. Retrieved from internet, <https://www.facebook.com/SeaTimeSportFishing/photos/a.147523439218428/771760420128057/> (Date:2023) (Year: 2021).*

Danielson Bait Cutting Guide, posted Jun. 14, 2010 [online], [retrieved Apr. 5, 2023]. Retrieved from internet, <https://www.amazon.com/Danielson-BCG1-Bait-Cutting-Guide/dp/B003CU2WUG/ref> (Date:2023) (Year: 2010).*

* cited by examiner

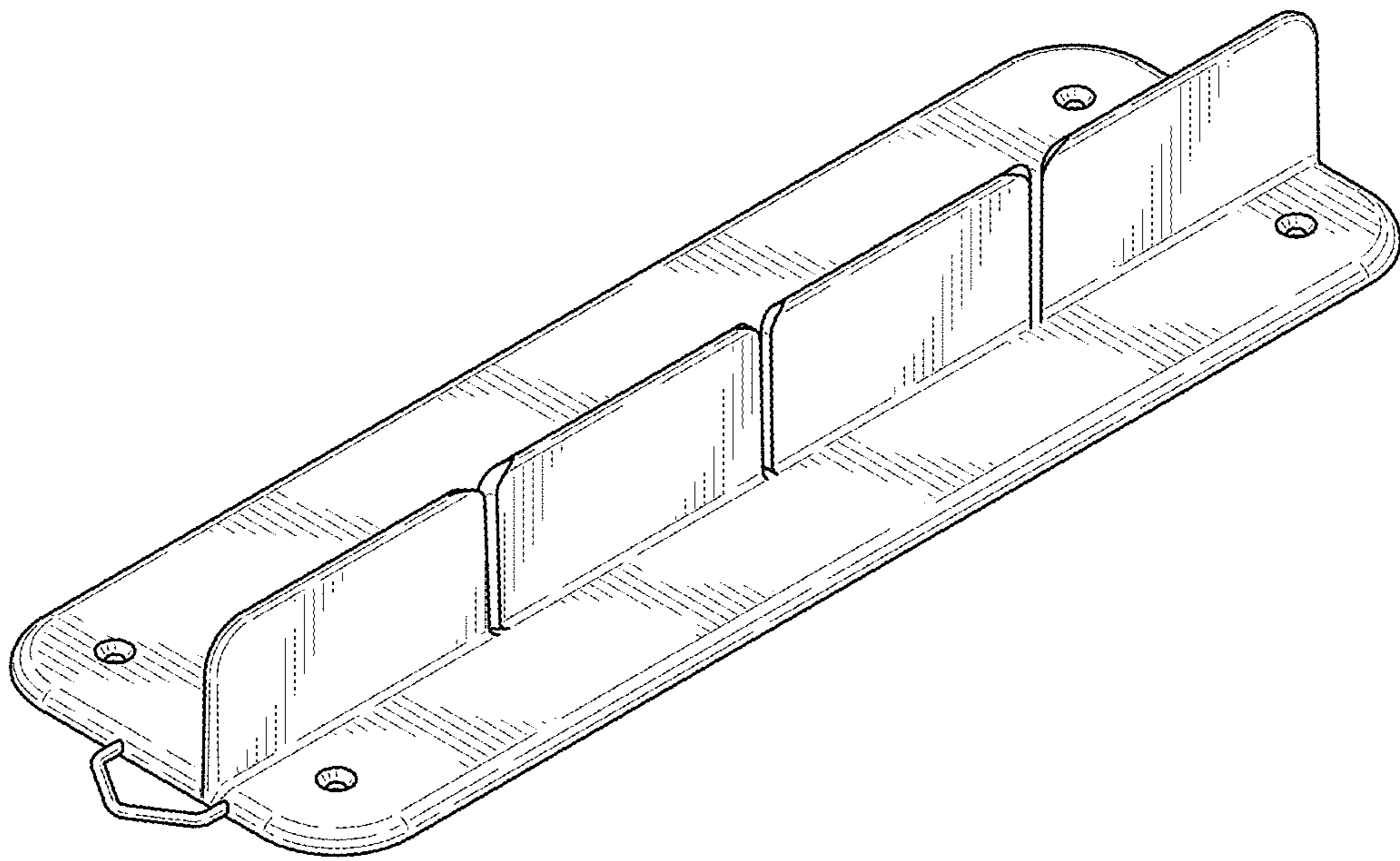


FIG. 1

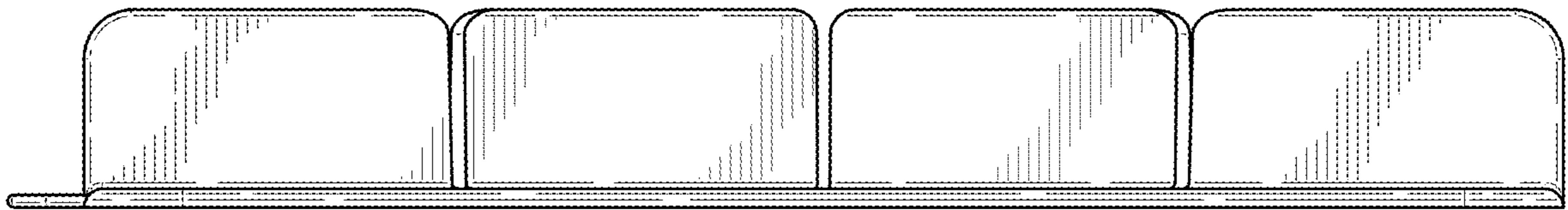


FIG. 2

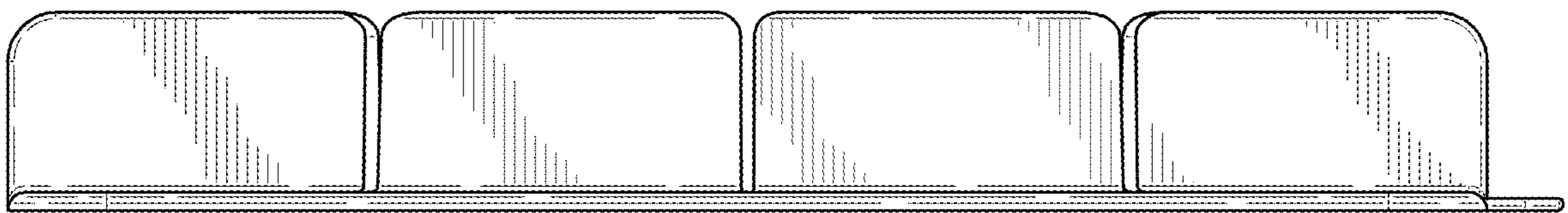


FIG. 3

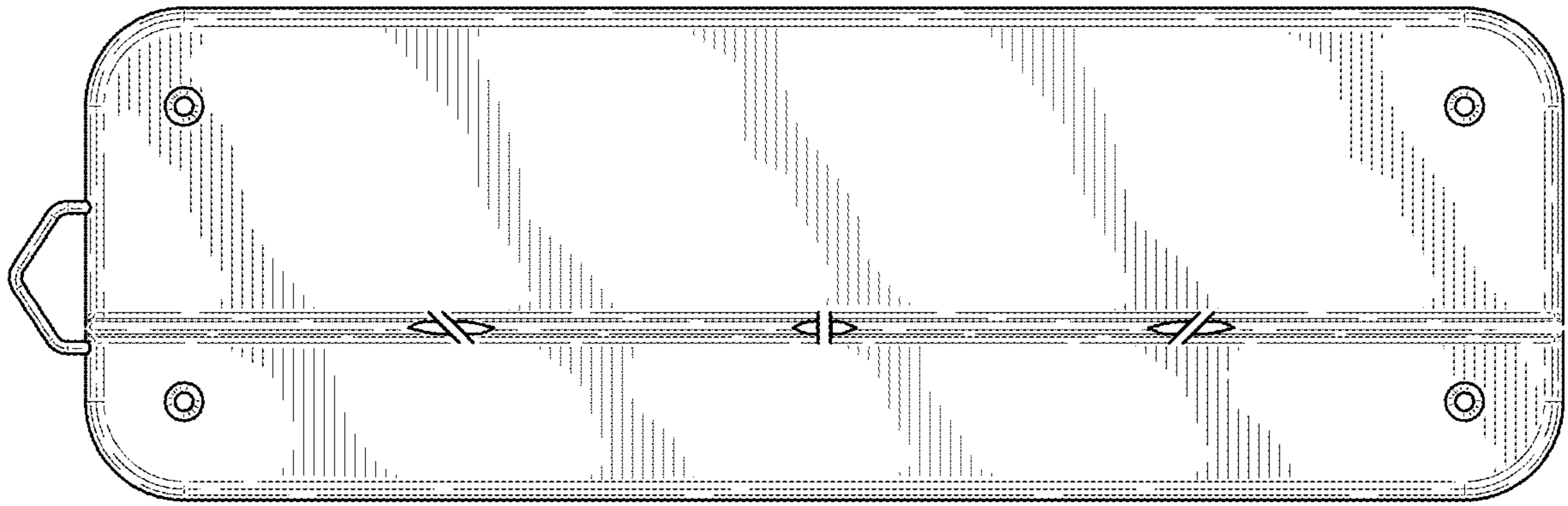


FIG. 4

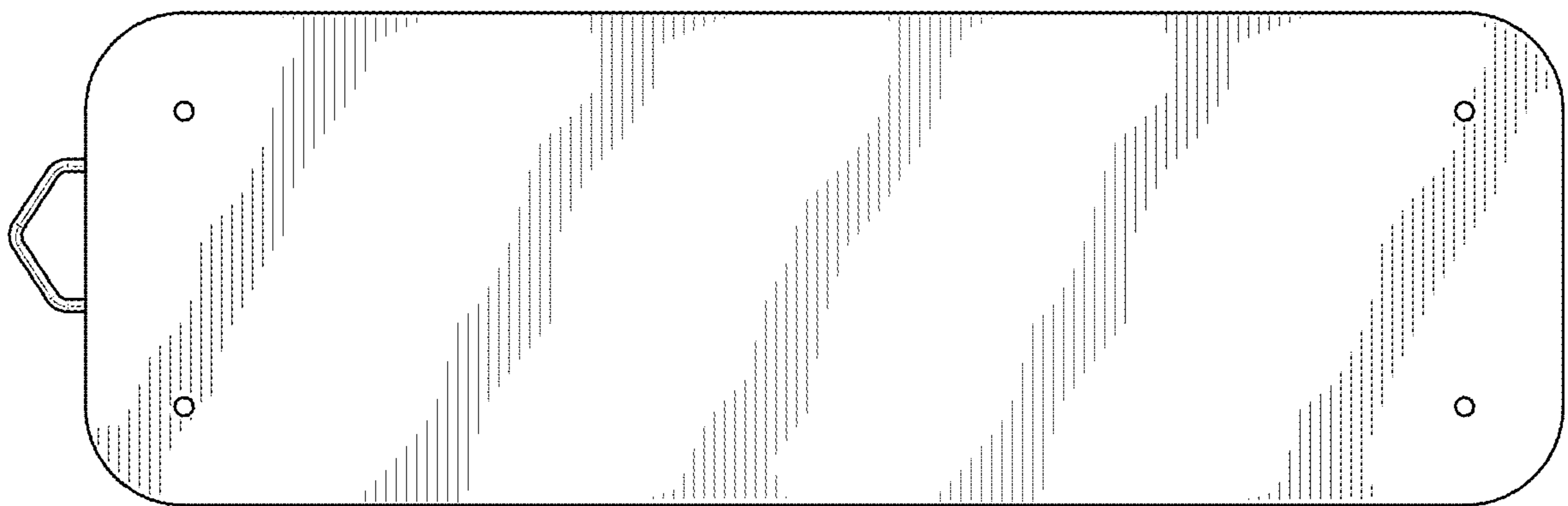


FIG. 5

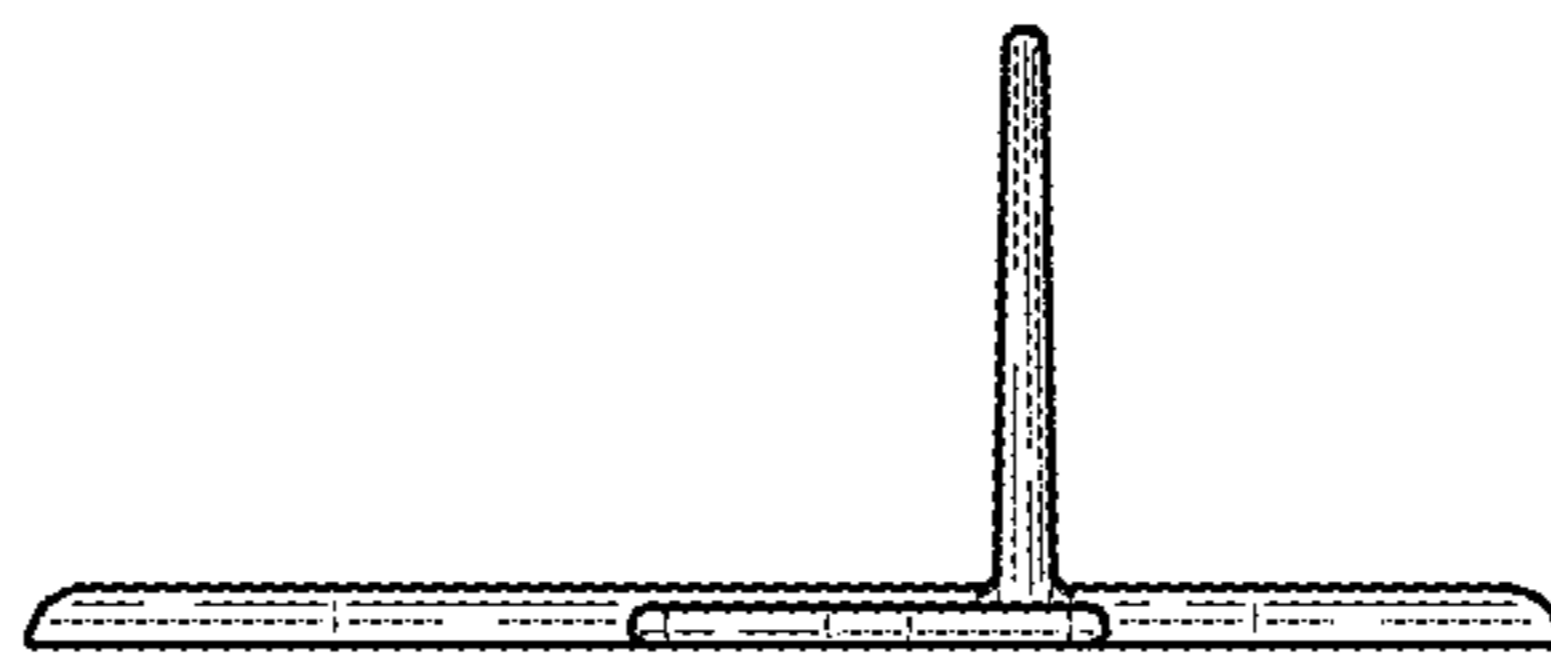


FIG. 6

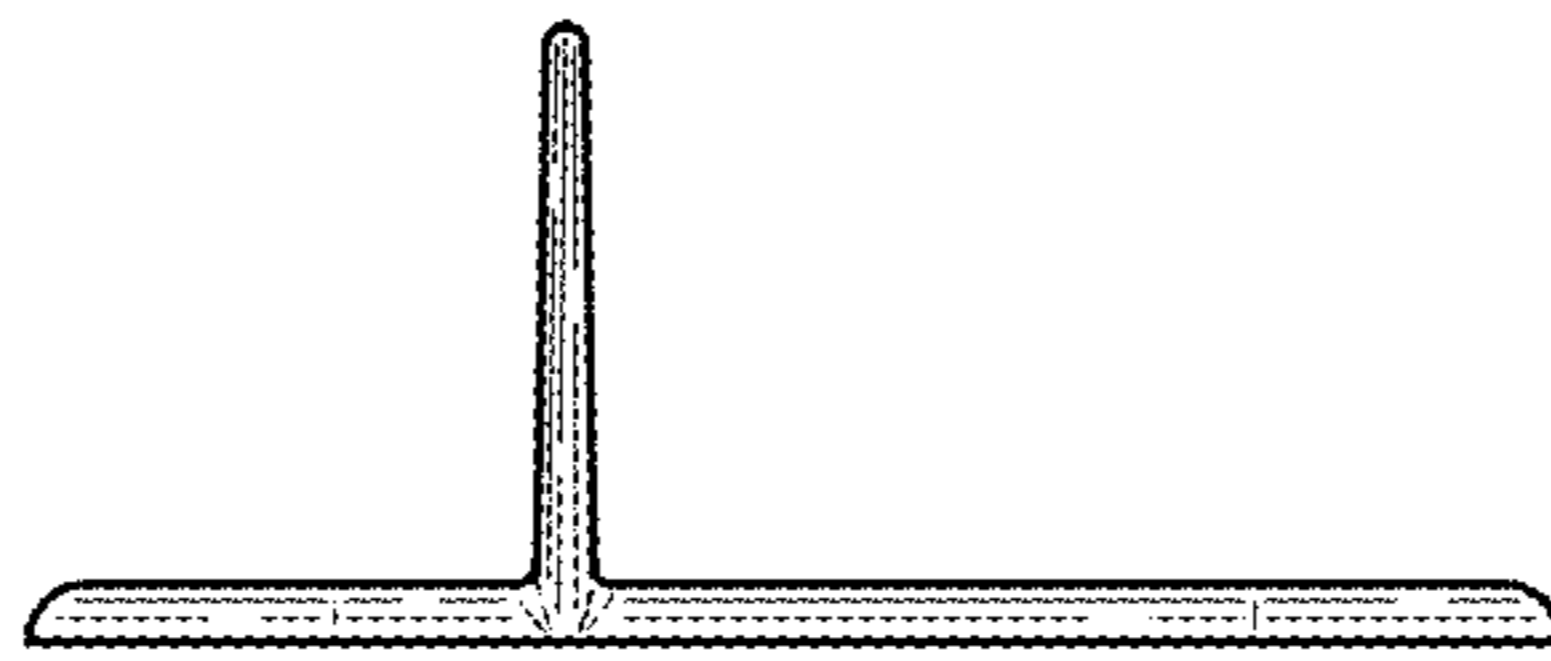


FIG. 7