



US00D987768S

(12) **United States Design Patent**  
**Wu**

(10) **Patent No.:** **US D987,768 S**  
(45) **Date of Patent:** **\*\* May 30, 2023**

(54) **INSECT CAGE**

OTHER PUBLICATIONS

(71) Applicant: **SHENZHEN HEXINGLONG TECHNOLOGY CO., LTD.**, Shenzhen (CN)

[https://www.amazon.com/ESSENSON-Butterfly-Explorer-Magnifying-Exploration/dp/B08M5MYP2Q/ref=sr\\_1\\_34?keywords=insect+kits+for+kids&qid=1672249827&sr=8-34](https://www.amazon.com/ESSENSON-Butterfly-Explorer-Magnifying-Exploration/dp/B08M5MYP2Q/ref=sr_1_34?keywords=insect+kits+for+kids&qid=1672249827&sr=8-34) (Year: 2021).\*

(72) Inventor: **Jisheng Wu**, Shenzhen (CN)

[https://www.amazon.com/Nature-Bound-Catcher-Backyard-Exploration/dp/B08WJWH8VP/ref=sr\\_1\\_1\\_ssps?crid=VEPGDS566X50&keywords=nature+bound+bug+catcher&qid=1672250768&srefix=nature+bound%2Caps%2C84&sr=8-1-spons&psc=1&smid=A1C5917DIK0HSJ&spLa=ZW5jcnlwdGVkUXVhbGlmaWVyPUExMlJkV0IRN1E3TURGJmVuY3J5cHRIZElkPUEwNTc1MzE5MIRVVkFRtDE3TURITSZlbnNyeXB0ZWRBZEIkPUEwMDY0MDE4MVIpRFJMRldYSTRGNsZ3aWRnZXROYW1IPXNwX2F0ZiZhY3Rpb249Y2xpY2tSZWRpcmVjdCZkb05vdExvZ0NsaWNrPXRydWU=](https://www.amazon.com/Nature-Bound-Catcher-Backyard-Exploration/dp/B08WJWH8VP/ref=sr_1_1_ssps?crid=VEPGDS566X50&keywords=nature+bound+bug+catcher&qid=1672250768&srefix=nature+bound%2Caps%2C84&sr=8-1-spons&psc=1&smid=A1C5917DIK0HSJ&spLa=ZW5jcnlwdGVkUXVhbGlmaWVyPUExMlJkV0IRN1E3TURGJmVuY3J5cHRIZElkPUEwNTc1MzE5MIRVVkFRtDE3TURITSZlbnNyeXB0ZWRBZEIkPUEwMDY0MDE4MVIpRFJMRldYSTRGNsZ3aWRnZXROYW1IPXNwX2F0ZiZhY3Rpb249Y2xpY2tSZWRpcmVjdCZkb05vdExvZ0NsaWNrPXRydWU=) (Year: 2021).\*

(73) Assignee: **SHENZHEN HEXINGLONG TECHNOLOGY CO., LTD.**, Shenzhen (CN)

(\*) Notice: Patent file contains an affidavit/declaration under 37 CFR 1.130(b).

(\*\*) Term: **15 Years**

\* cited by examiner

(21) Appl. No.: **29/787,702**

*Primary Examiner* — Catherine R Oliver-Garcia

(22) Filed: **Jun. 8, 2021**

(74) *Attorney, Agent, or Firm* — ScienBiziP, P.C.

(51) **LOC (14) Cl.** ..... **22-06**

(52) **U.S. Cl.**  
USPC ..... **D22/122**

(57) **CLAIM**

The ornamental design for an insect cage, as shown and described.

(58) **Field of Classification Search**  
USPC ..... D22/122–123, 119; D21/487–488;  
D30/108–109, 111–112

CPC .... A01K 1/00; A01K 1/10035; A01K 1/0236;  
A01K 31/06; A01K 67/00

See application file for complete search history.

**DESCRIPTION**

FIG. 1 is a front, left, and top perspective view of an insect cage, showing my design.

FIG. 2 is a rear, right, and bottom perspective view thereof.

FIG. 3 is a front elevation view thereof.

FIG. 4 is a rear elevation view thereof.

FIG. 5 is a left side elevation view thereof.

FIG. 6 is a right side elevation view thereof.

FIG. 7 is a top plan view thereof; and,

FIG. 8 is a bottom plan view thereof.

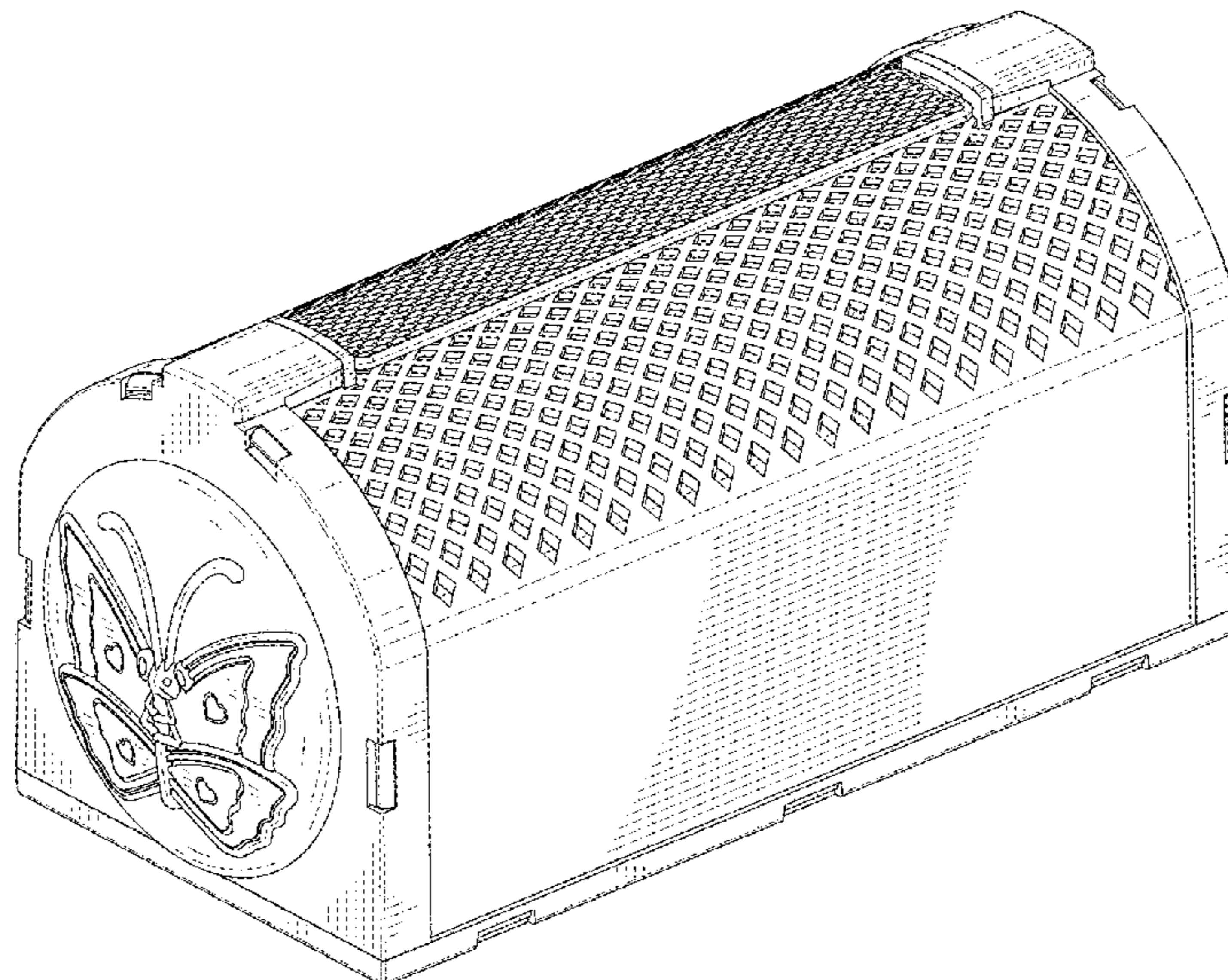
The broken line showing of portions of the insect cage is included for the purpose of illustrating only and forms no part of the claimed design.

(56) **References Cited**

U.S. PATENT DOCUMENTS

D407,266	S	*	3/1999	Silva	.....	D30/108
D426,613	S	*	6/2000	Curtis	.....	D22/123
D461,024	S	*	7/2002	Newdoll	.....	D30/108
D483,834	S	*	12/2003	Shultz	.....	D22/122
D608,954	S	*	1/2010	Tharp	.....	D30/109
D838,055	S	*	1/2019	Villarreal	.....	D30/108
D863,494	S	*	10/2019	Luo	.....	D22/120
11,147,262	B2	*	10/2021	Liu	.....	A01M 23/16
D948,656	S	*	4/2022	Zhang	.....	D22/119
2022/0295762	A1	*	9/2022	Mosley	.....	A01K 67/00

**1 Claim, 8 Drawing Sheets**





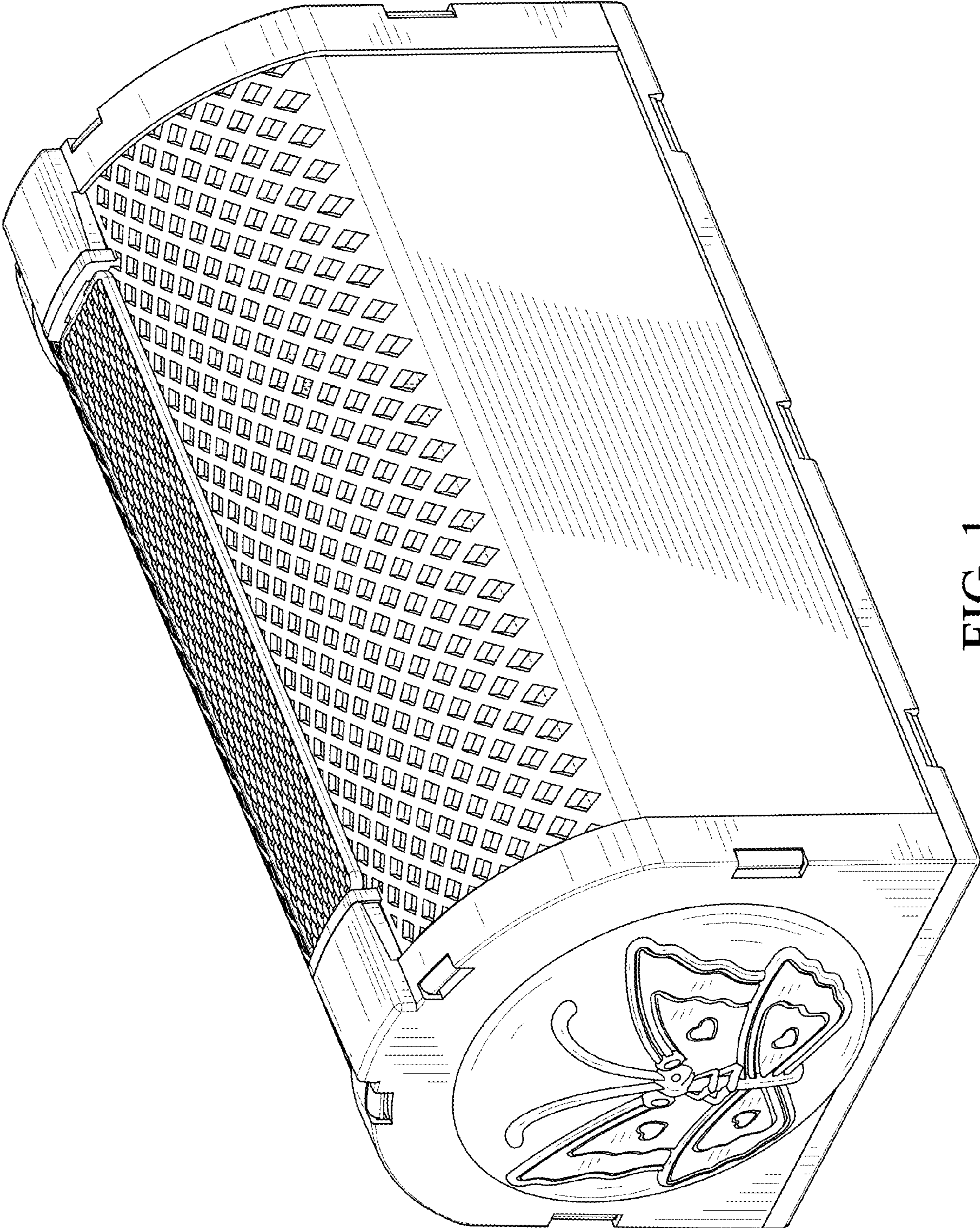


FIG. 1

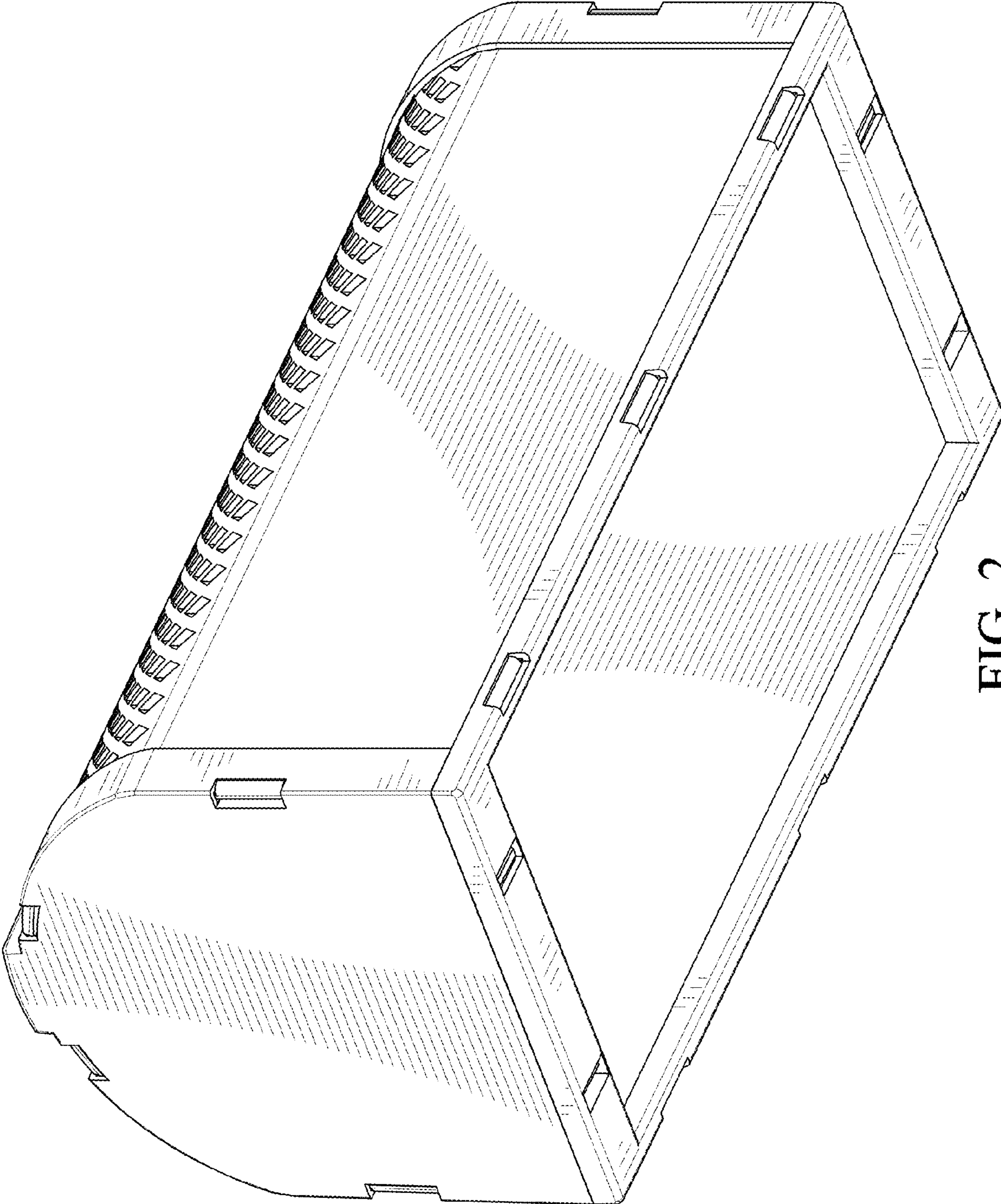


FIG. 2



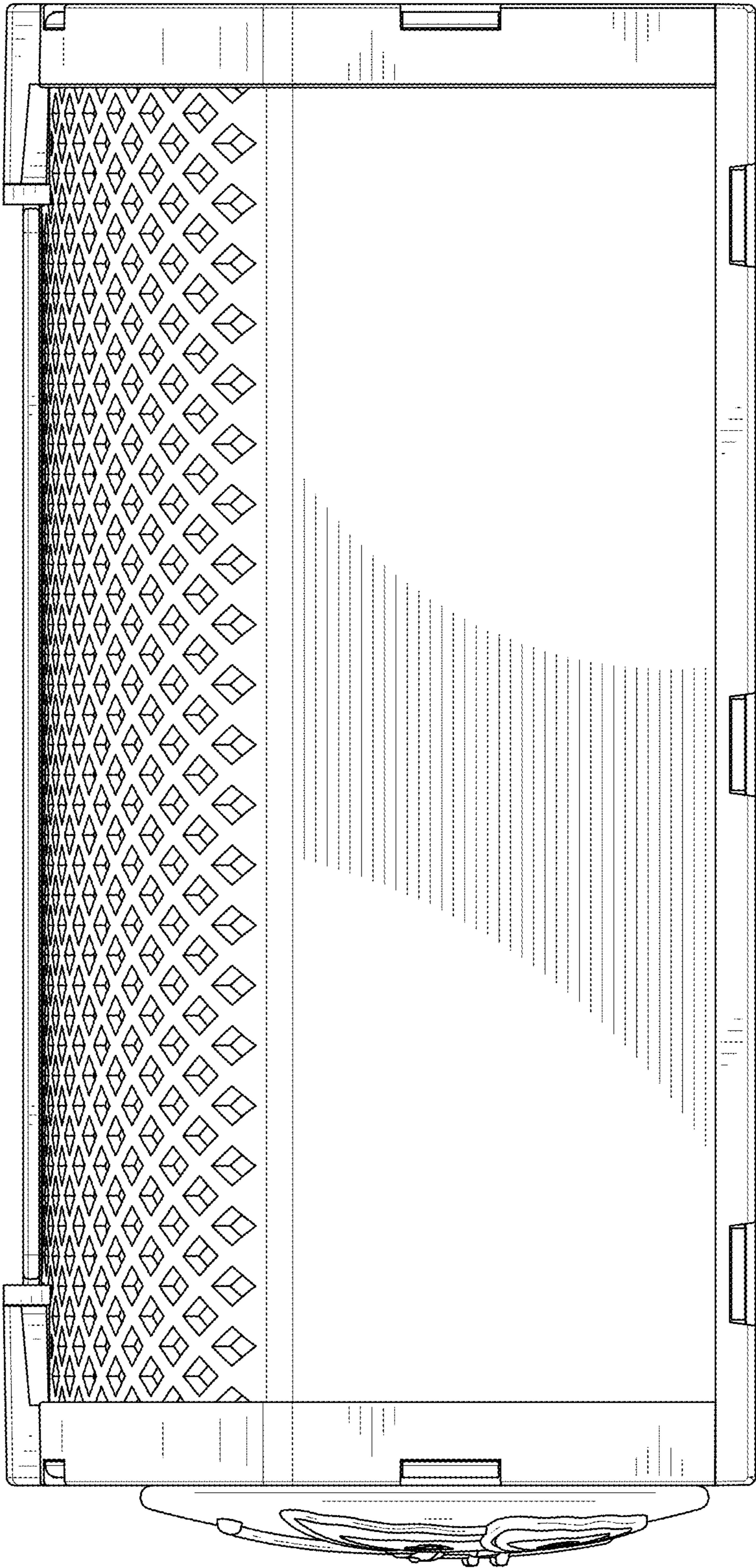


FIG. 3

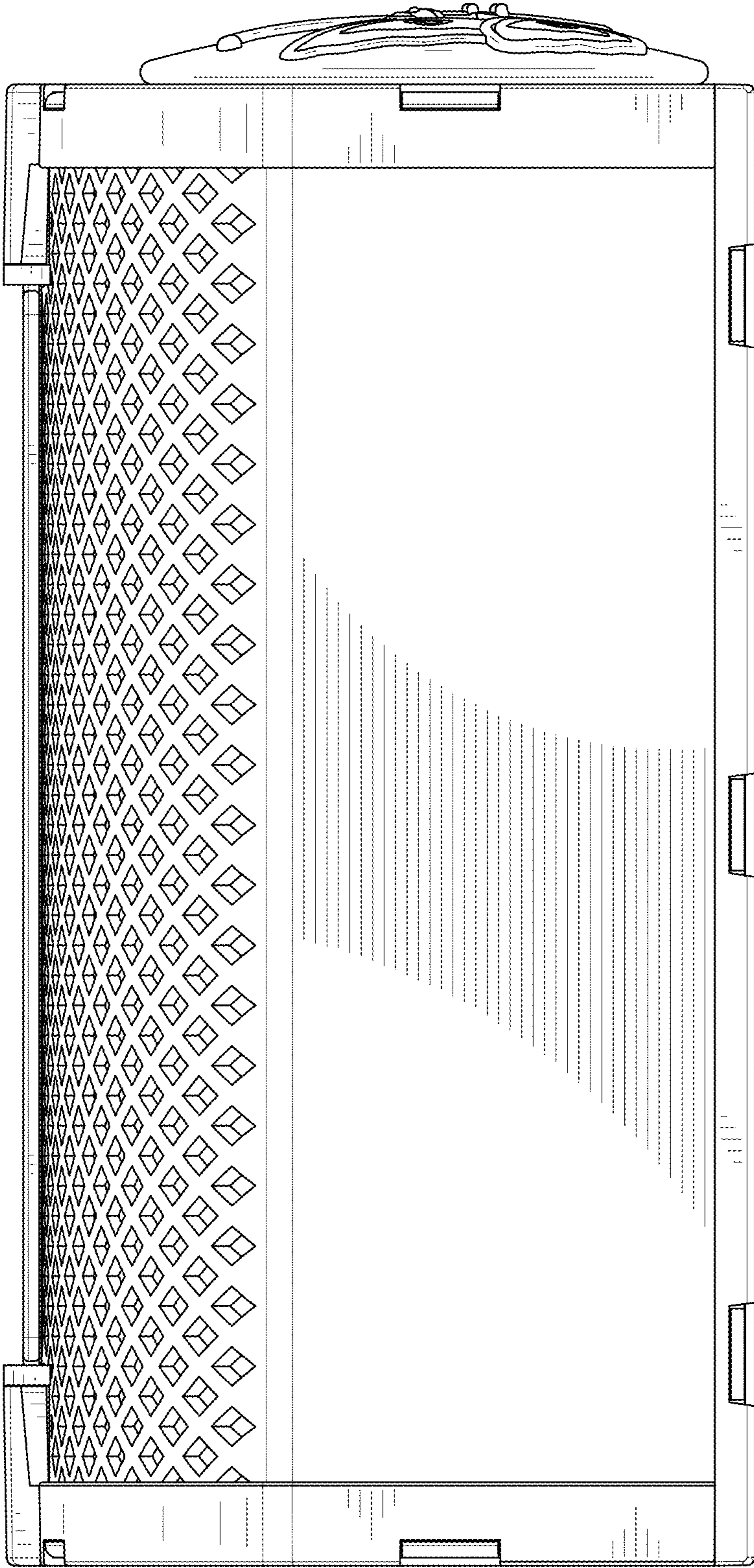


FIG. 4

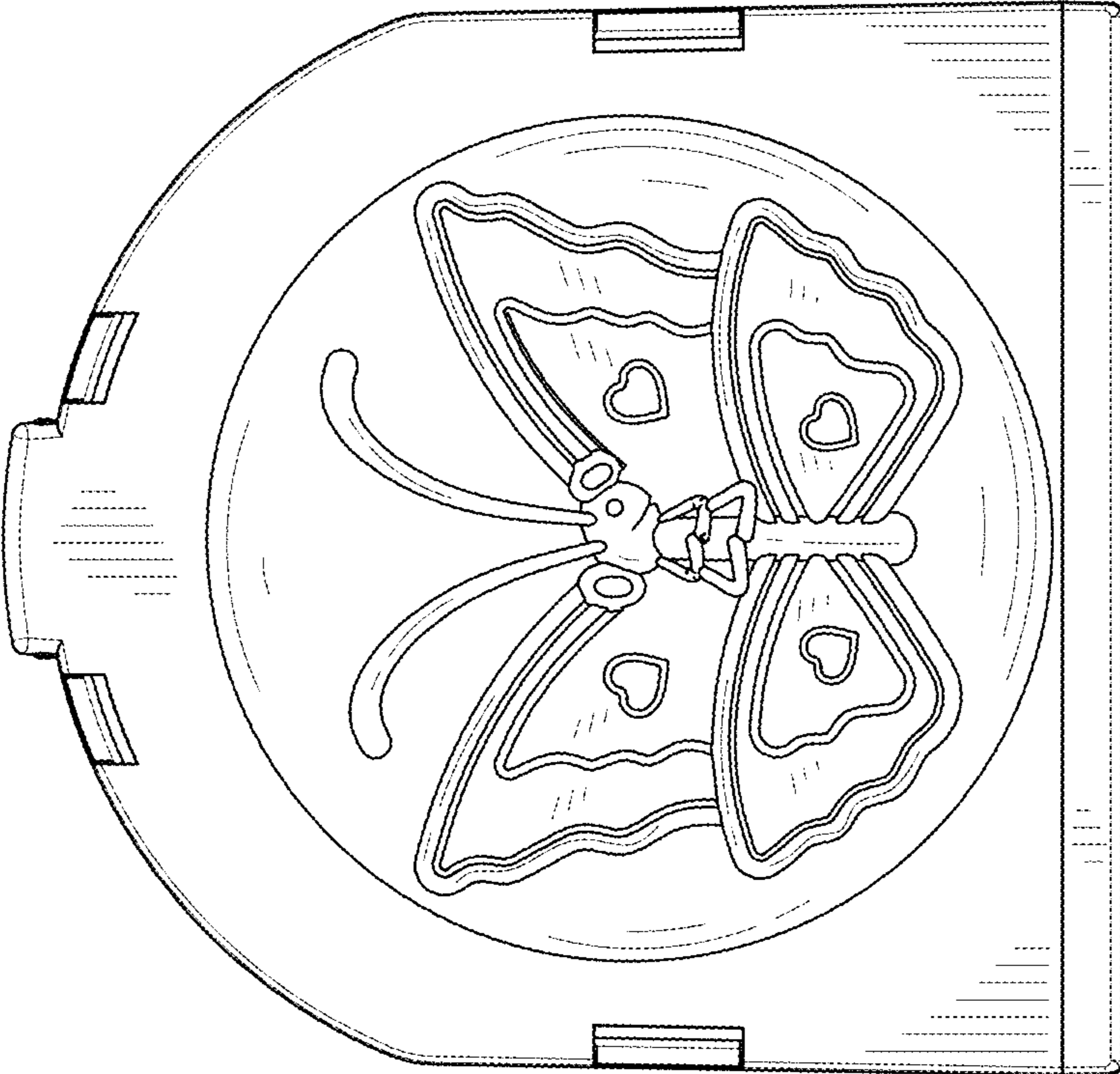


FIG. 5



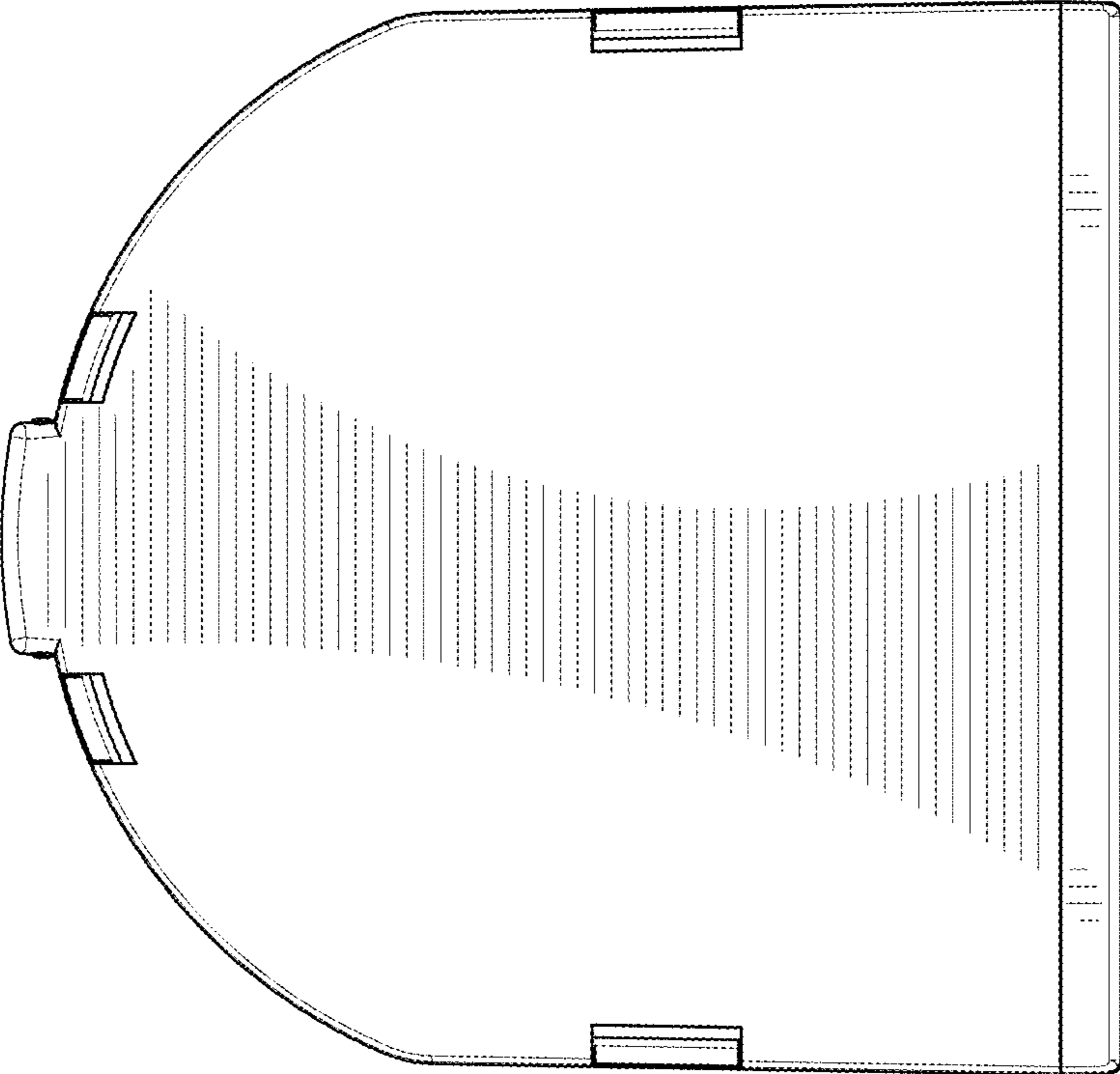


FIG. 6

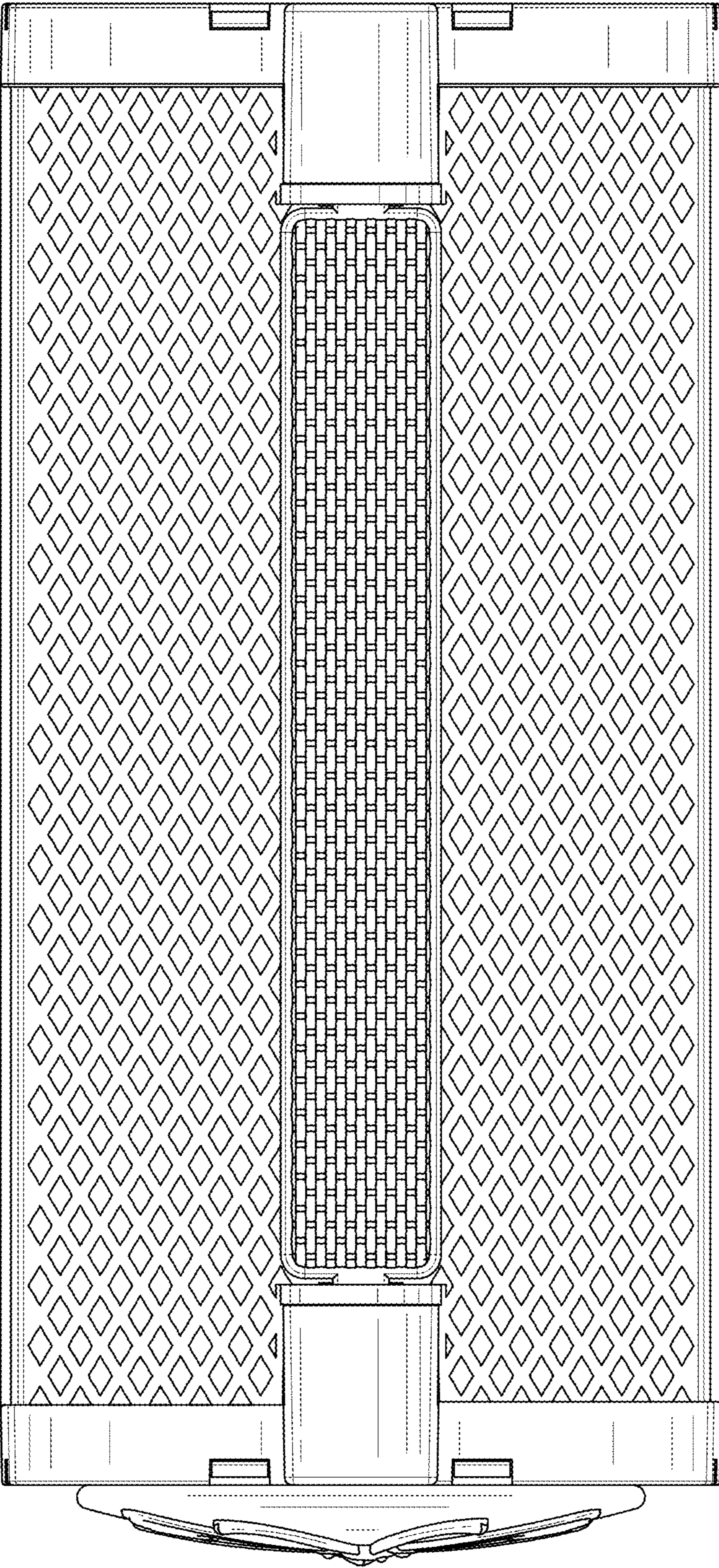


FIG. 7



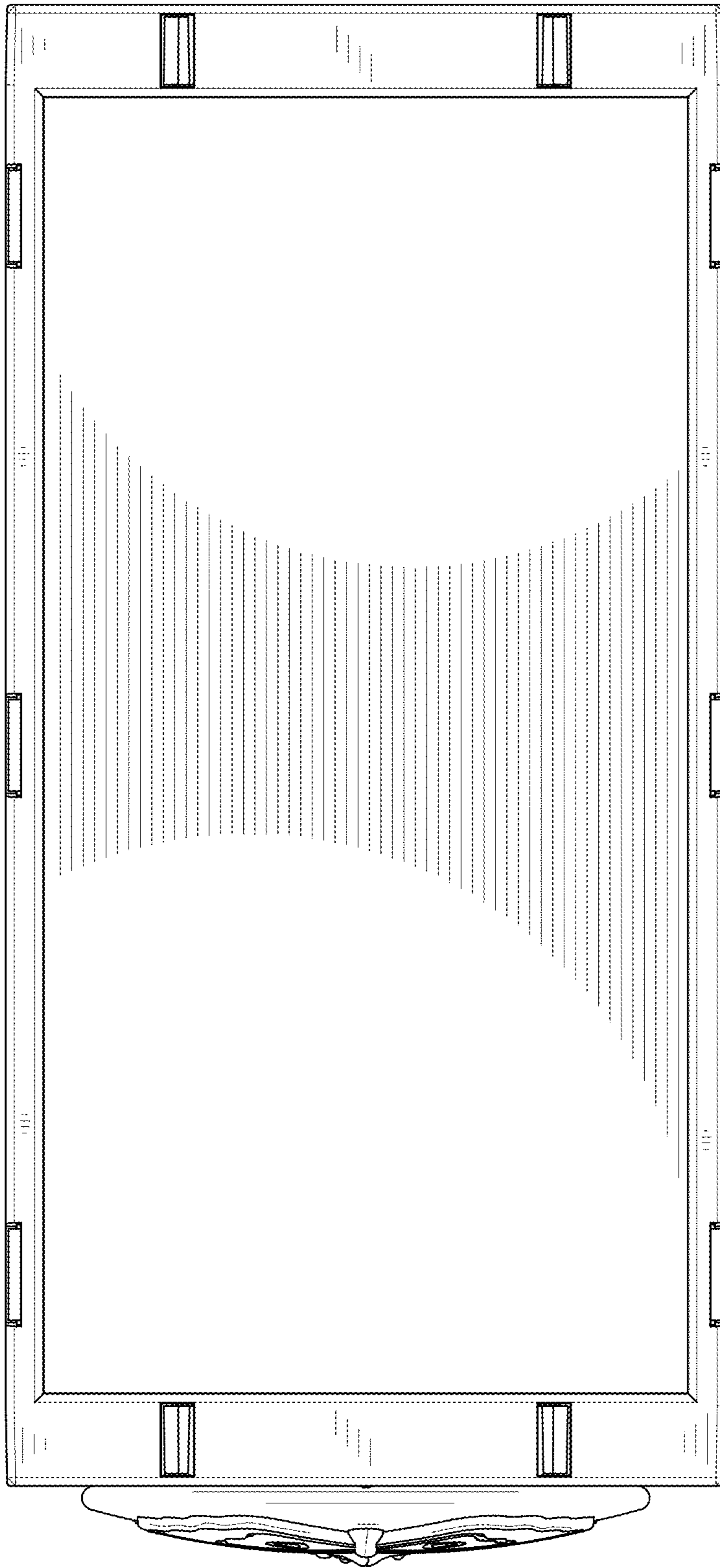


FIG. 8