



US00D987767S

(12) **United States Design Patent** (10) **Patent No.:** **US D987,767 S**  
**Middleton et al.** (45) **Date of Patent:** **\*\* May 30, 2023**

(54) **RETRACTABLE BAYONET**

*Primary Examiner* — Catherine R Oliver-Garcia  
(74) *Attorney, Agent, or Firm* — Bond, Schoeneck & King, PLLC

(71) Applicant: **The Ontario Knife Company,**  
Franklinville, NY (US)

(72) Inventors: **Benjamin Middleton,** Moorpark, CA (US); **Kenneth D. Trbovich,** South Wales, NY (US); **David Fenske,** Orchard Park, NY (US); **Kirby Jerge,** Franklinville, NY (US); **Kelly Brickey,** Cuba, NY (US)

(57) **CLAIM**

The ornamental design for a retractable bayonet, as shown and described.

(73) Assignee: **The Ontario Knife Company,**  
Franklinville, NY (US)

**DESCRIPTION**

(\*\*) Term: **15 Years**

FIG. 1 is a perspective view of a retractable bayonet in a closed configuration;  
FIG. 2 is a front elevational view of the retractable bayonet shown in FIG. 1;  
FIG. 3 is a rear elevational view of the retractable bayonet shown in FIG. 1;  
FIG. 4 is a left side elevational view of the retractable bayonet shown in FIG. 1;  
FIG. 5 is a right side elevational view of the retractable bayonet shown in FIG. 1;  
FIG. 6 is a top view of the retractable bayonet shown in FIG. 1;  
FIG. 7 is a bottom view of the retractable bayonet shown in FIG. 1;  
FIG. 8 is a perspective view of a retractable bayonet in an extended configuration;  
FIG. 9 is a front elevational view of the retractable bayonet shown in FIG. 8;  
FIG. 10 is a rear elevational view of the retractable bayonet shown in FIG. 8;  
FIG. 11 is a left side elevational view of the retractable bayonet shown in FIG. 8;  
FIG. 12 is a right side elevational view of the retractable bayonet shown in FIG. 8;  
FIG. 13 is a top view of the retractable bayonet shown in FIG. 8; and,  
FIG. 14 is a bottom view of the retractable bayonet shown in FIG. 8.

(21) Appl. No.: **29/768,325**

(22) Filed: **Jan. 28, 2021**

(51) **LOC (14) Cl.** ..... **22-02**

(52) **U.S. Cl.**  
USPC ..... **D22/118**

(58) **Field of Classification Search**  
USPC ..... D22/118; D3/220; 42/53, 142; D21/568  
CPC ..... F41B 13/00; F41C 27/16; F41C 27/18  
See application file for complete search history.

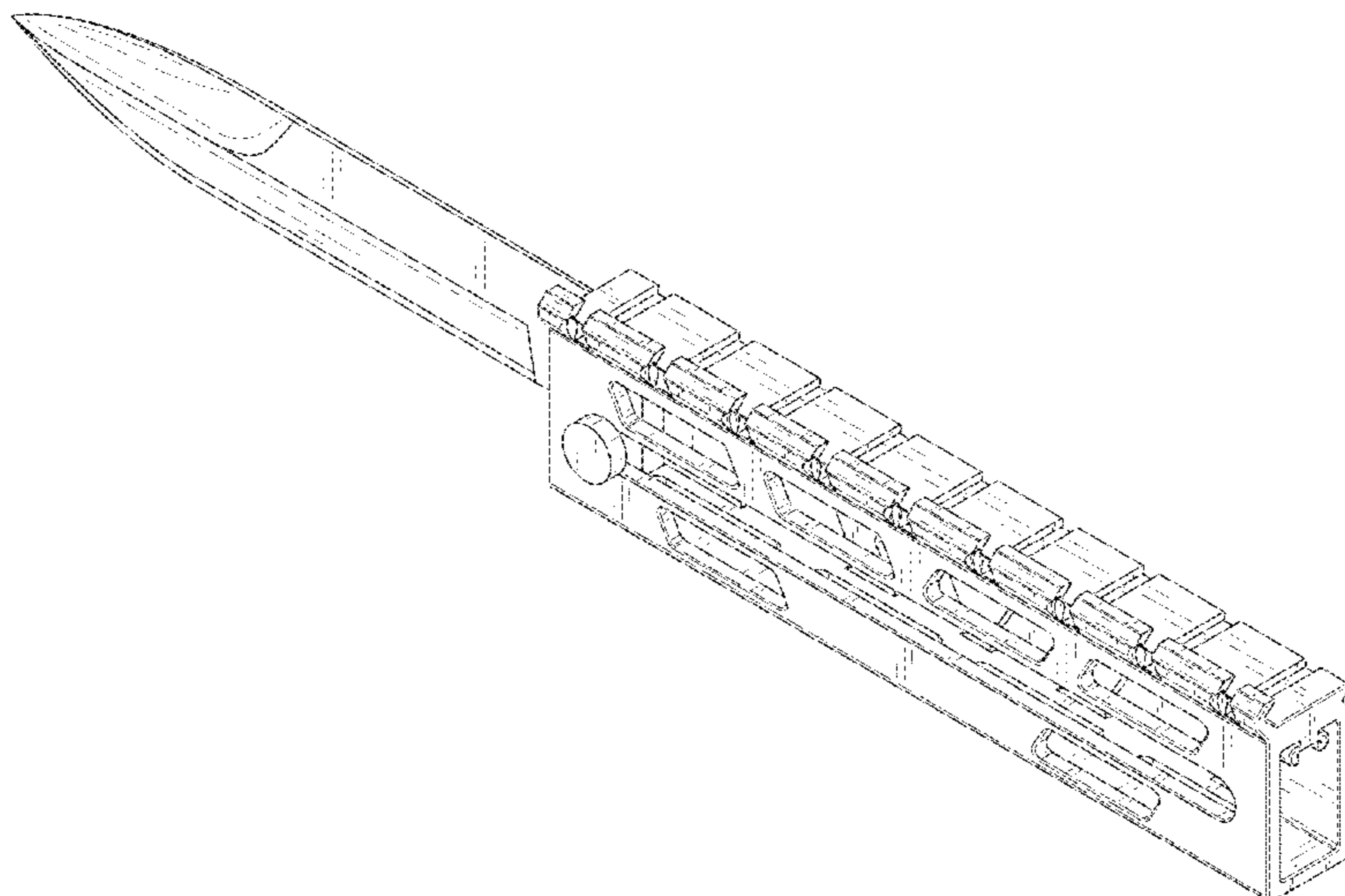
(56) **References Cited**

**U.S. PATENT DOCUMENTS**

1,260,827	A *	3/1918	Stefanov	.....	F41C 27/18
					30/162
1,504,073	A *	8/1924	Moore	.....	F41C 27/18
					30/162
2,330,637	A *	9/1943	Spagnolo	.....	F41C 27/18
					42/86
2,665,478	A *	1/1954	Clemens	.....	F41B 13/00
					30/162
D205,769	S *	9/1966	Beckwith	.....	D3/220
D302,199	S *	7/1989	Newman	.....	D22/118
D369,673	S *	5/1996	Morton	.....	D3/220
D467,634	S *	12/2002	Eickhorn	.....	D22/118
D515,171	S *	2/2006	Castrati	.....	D22/118

(Continued)

**1 Claim, 12 Drawing Sheets**



(56)

**References Cited**

U.S. PATENT DOCUMENTS

D527,788 S \* 9/2006 Kellgren ..... D22/118  
8,769,856 B2 \* 7/2014 Berntsen ..... F41G 11/003  
42/84  
9,784,528 B2 \* 10/2017 Rockwell ..... F41C 27/18  
11,226,171 B2 \* 1/2022 Sugar ..... B26B 1/08

\* cited by examiner

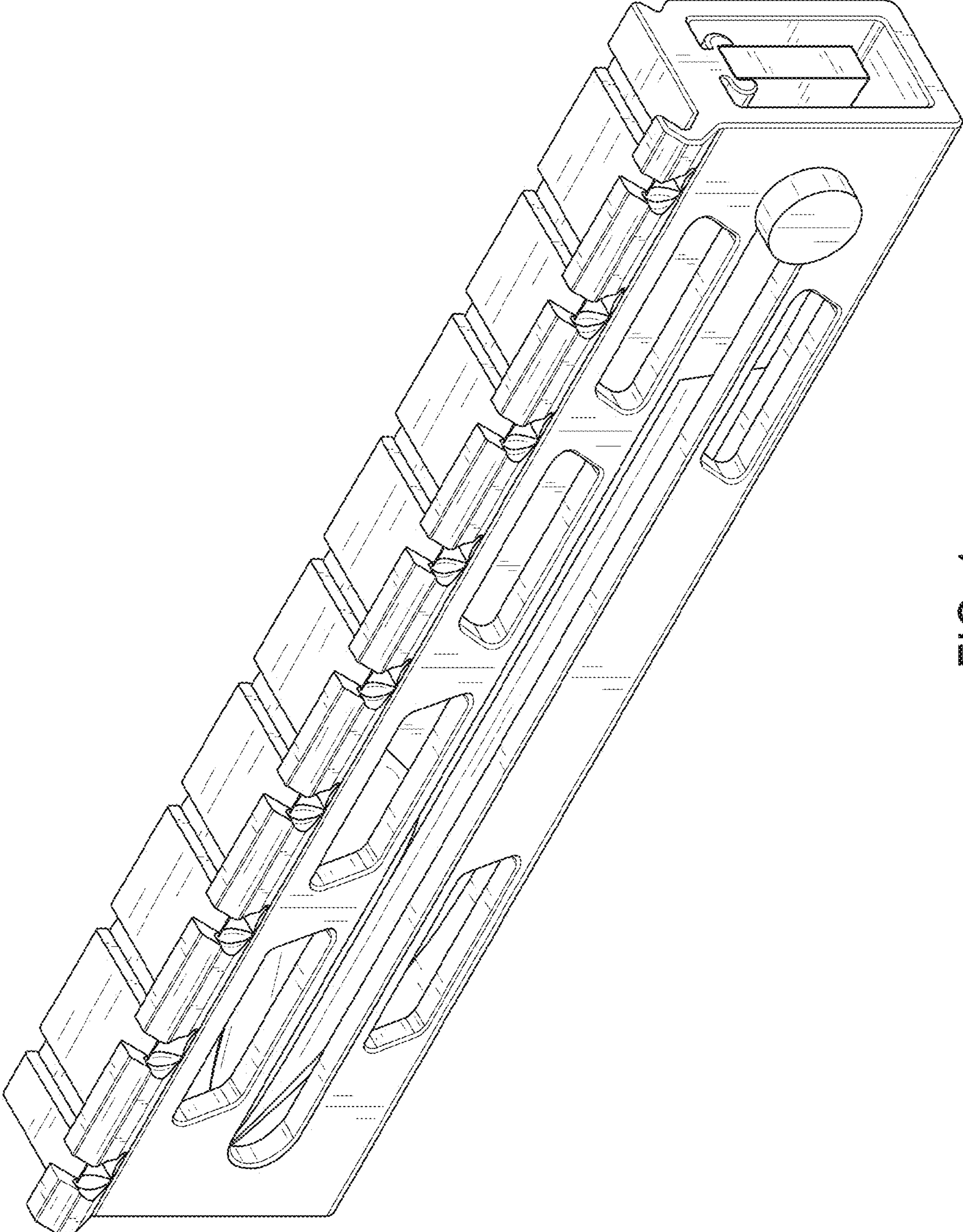


FIG. 1

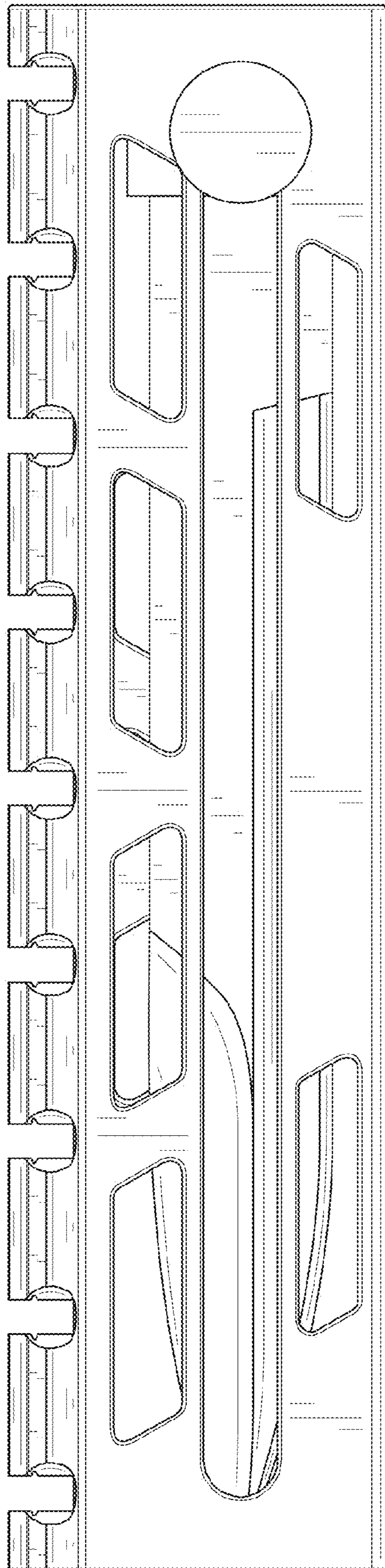


FIG. 2

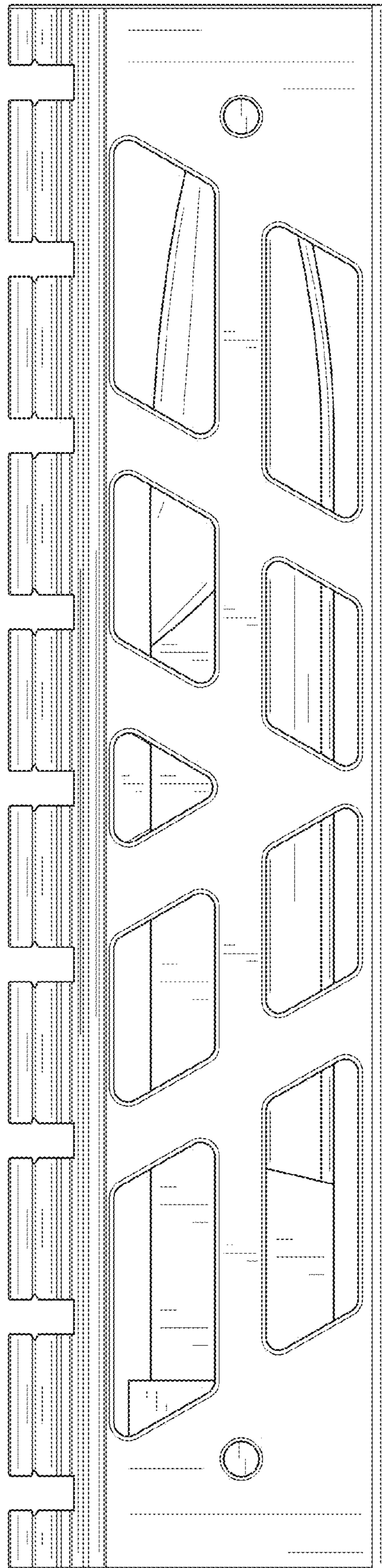


FIG. 3

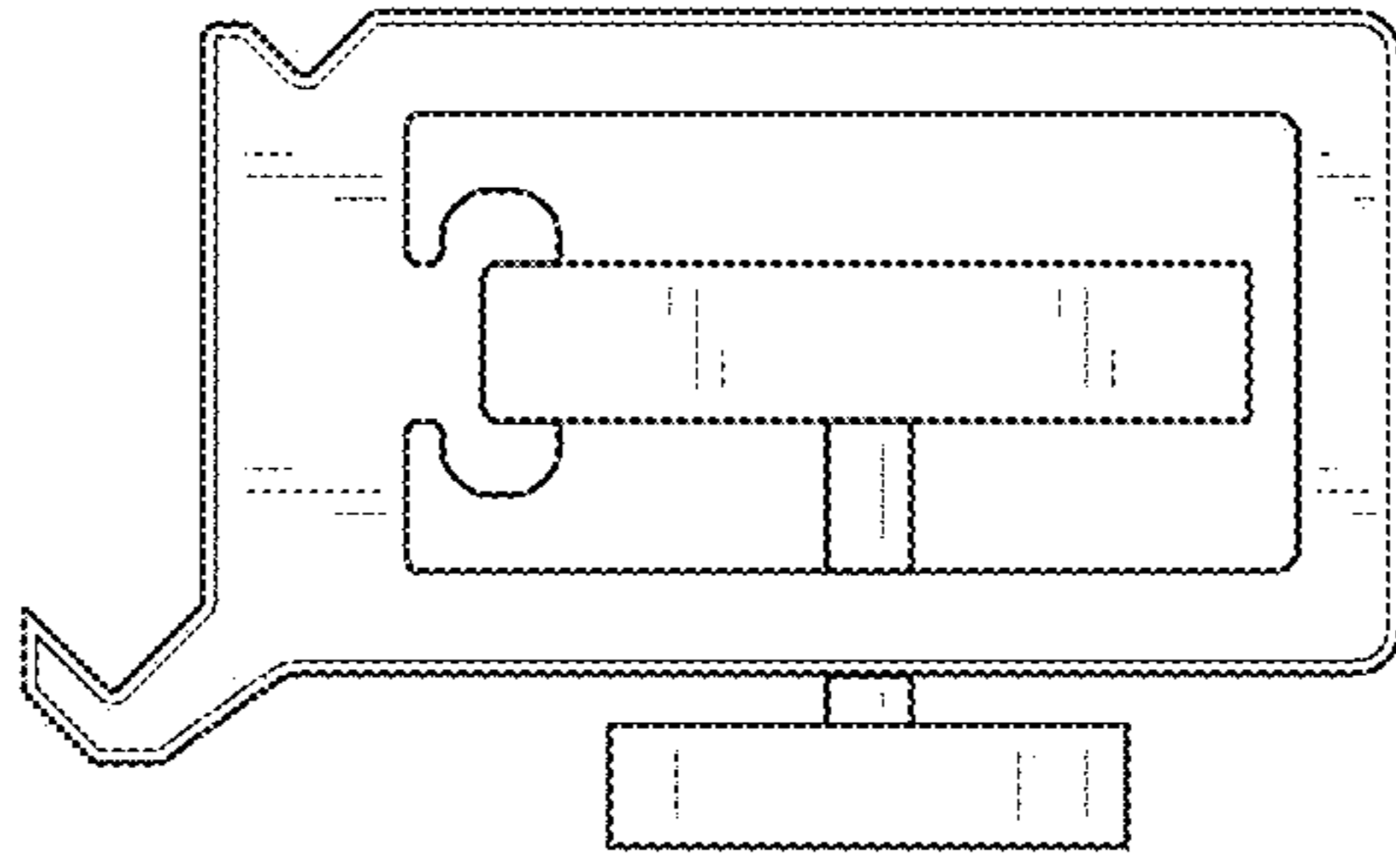


FIG. 5

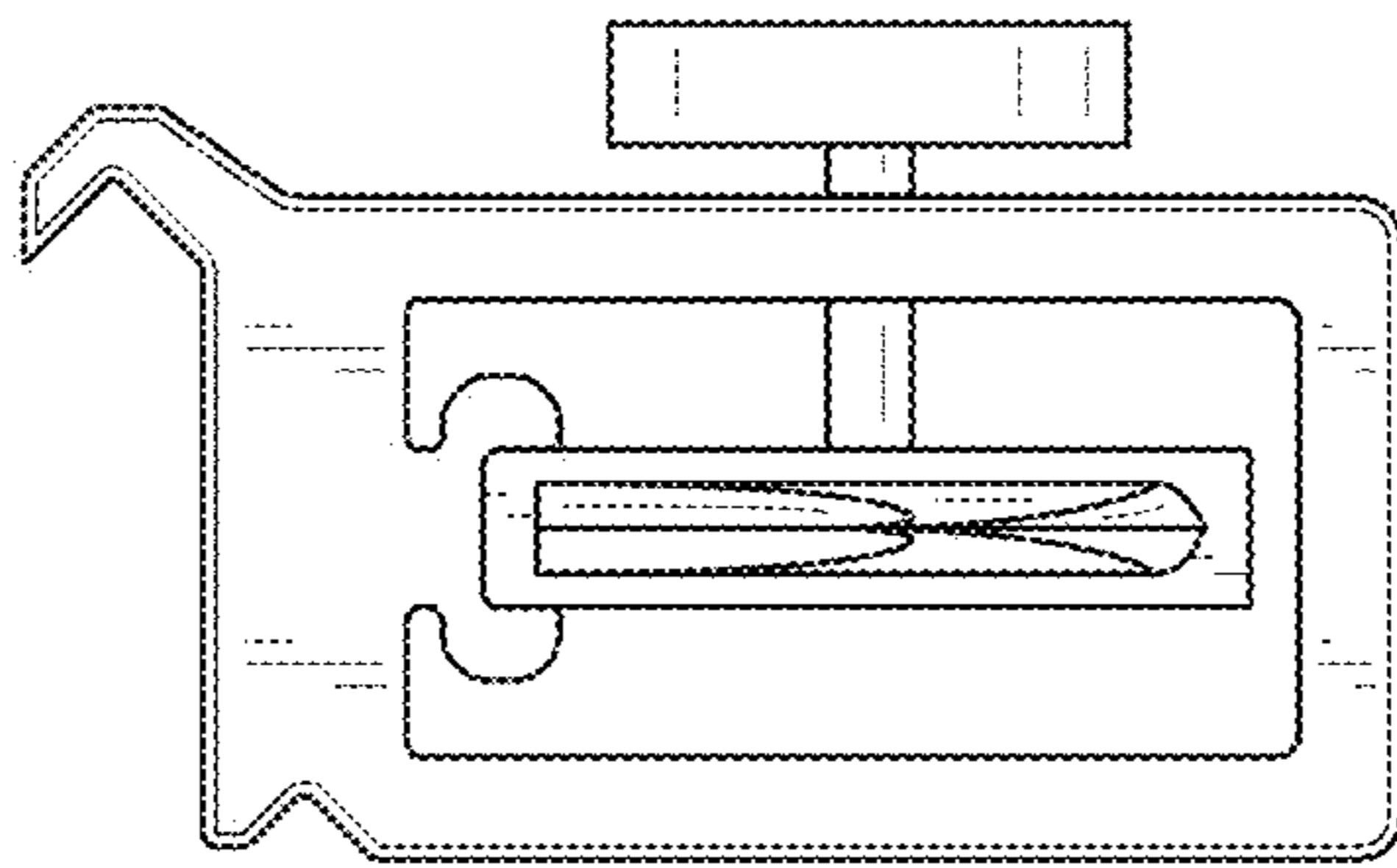


FIG. 4

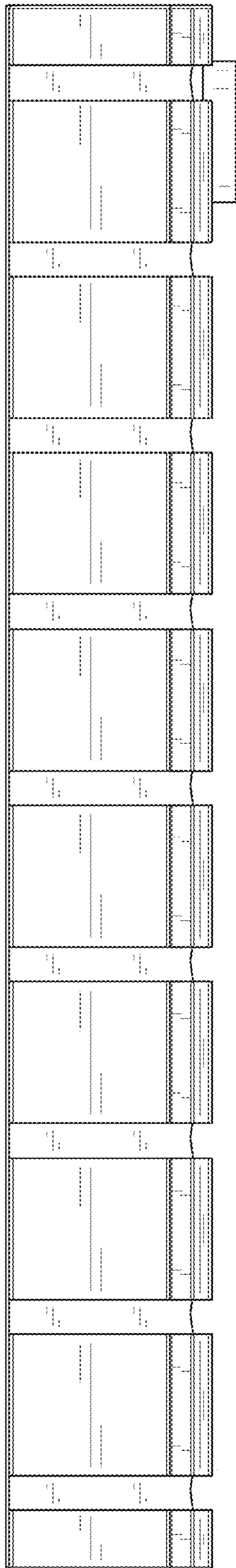


FIG. 6

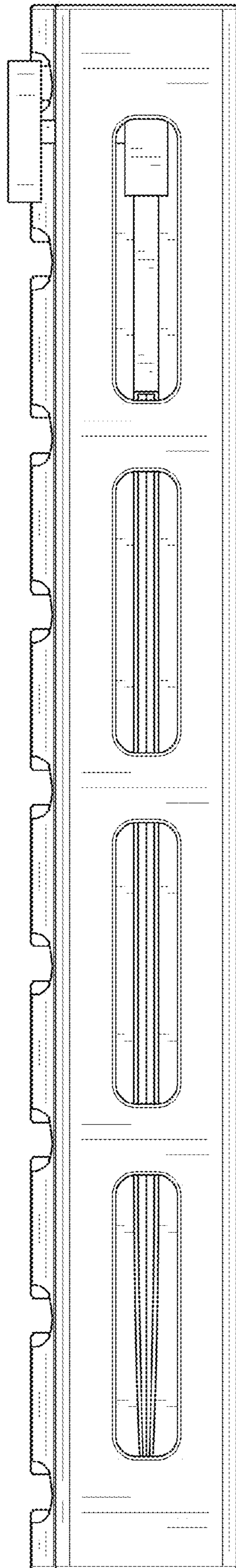


FIG. 7



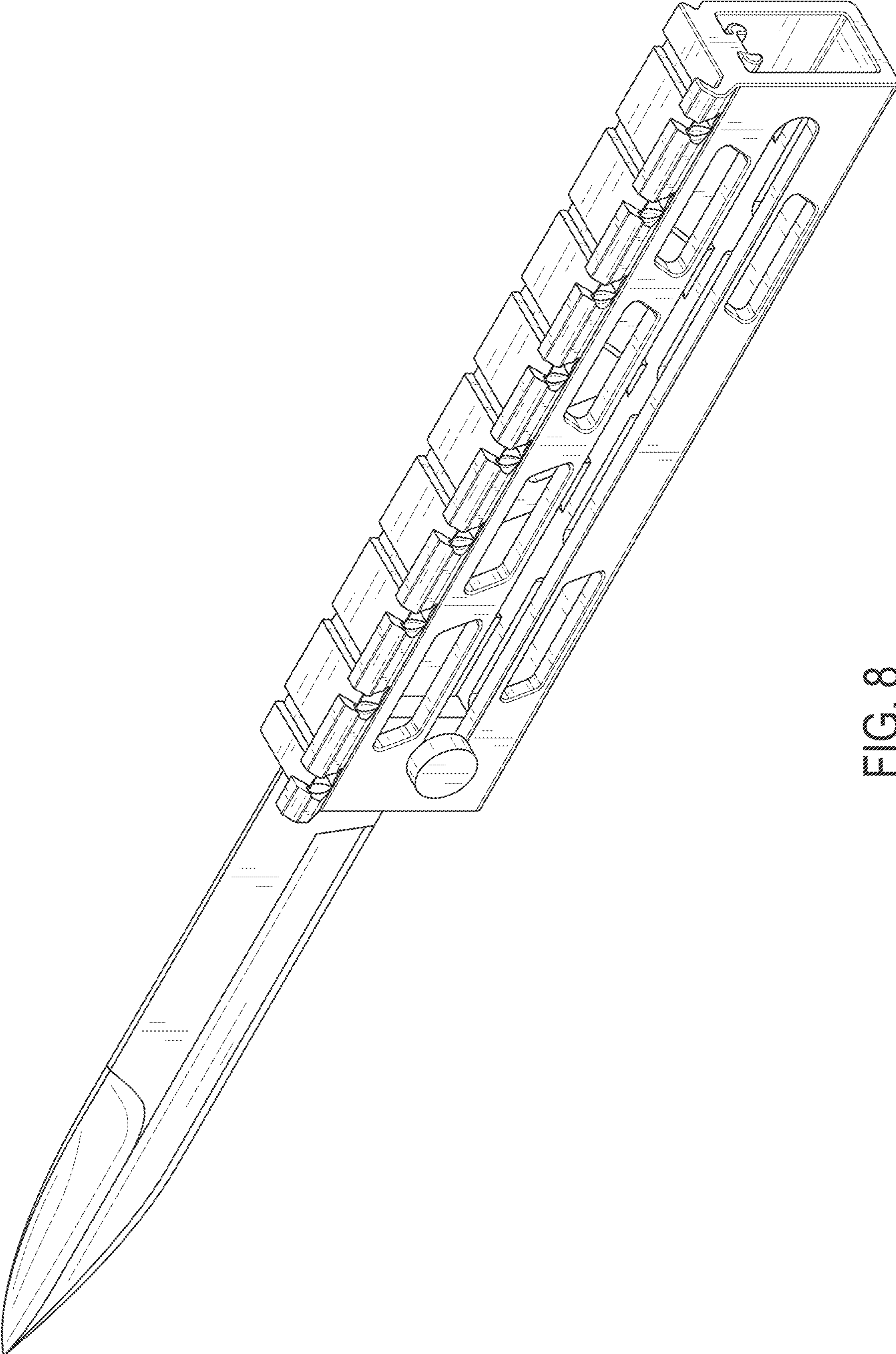


FIG. 8

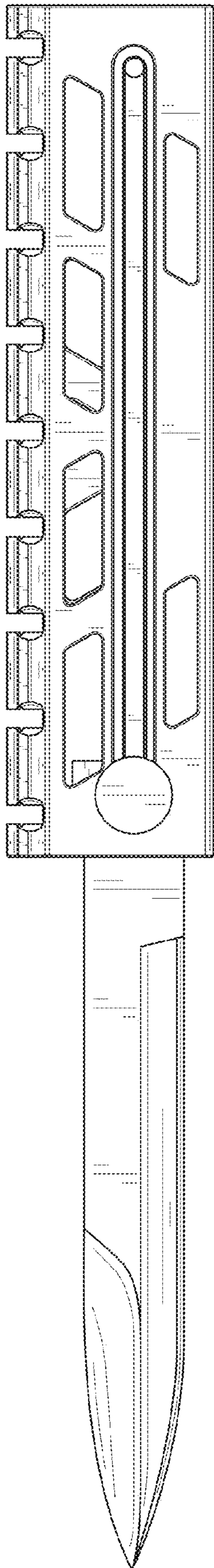


FIG. 9

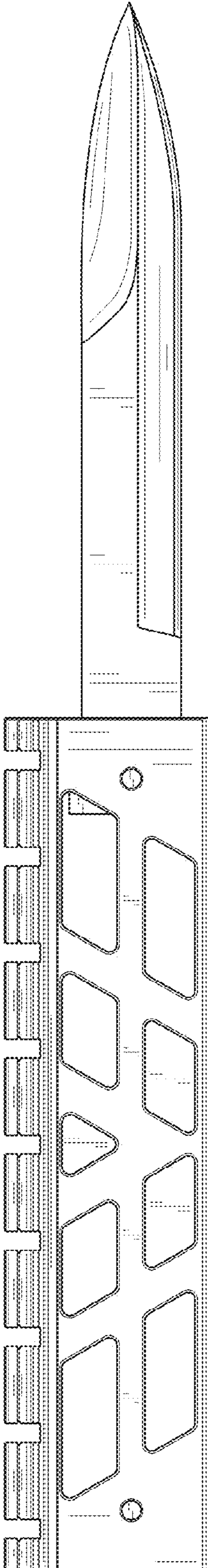


FIG. 10

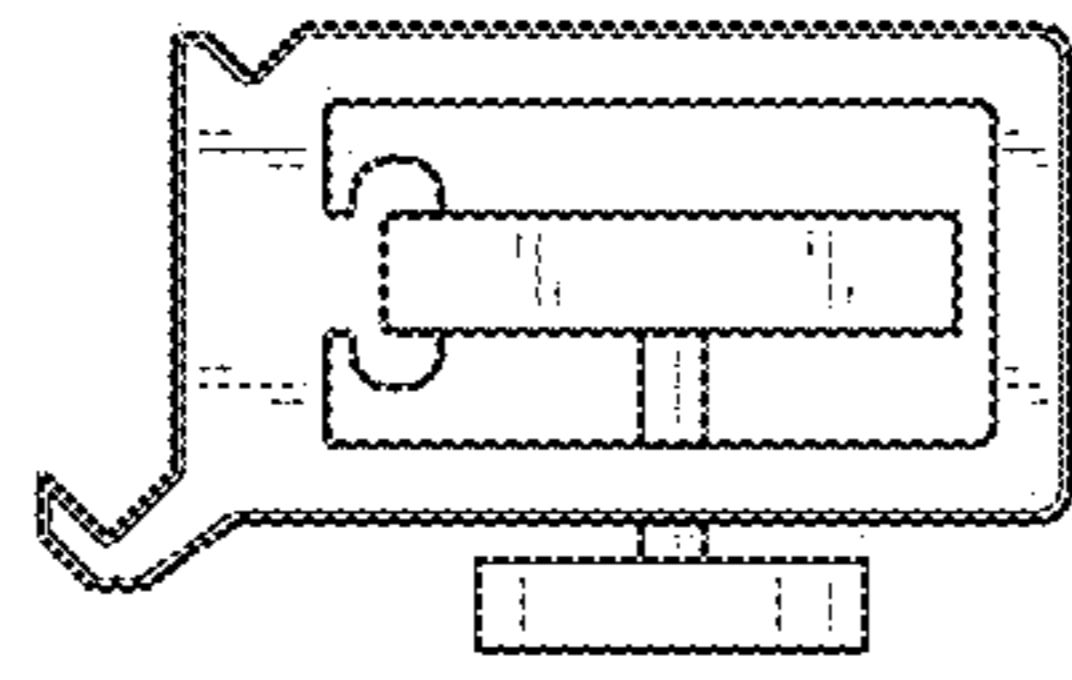


FIG. 12

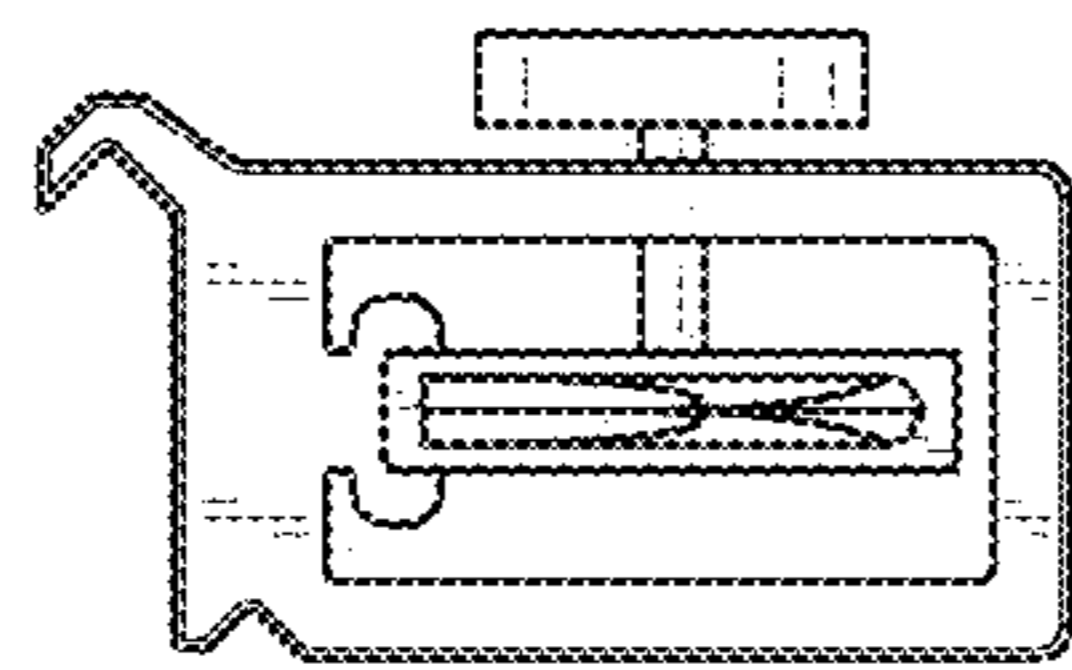


FIG. 11

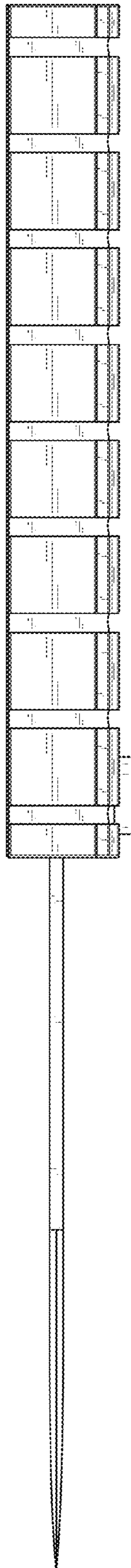


FIG. 13

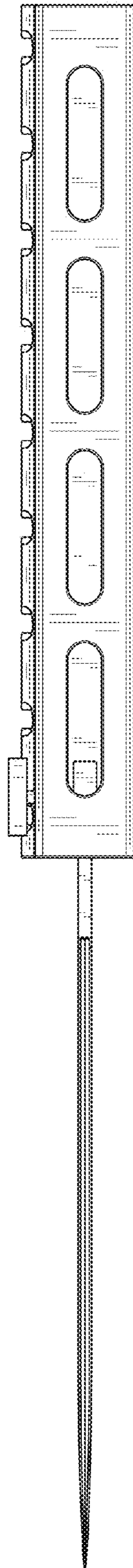


FIG. 14