



US00D987766S

(12) **United States Design Patent** (10) **Patent No.:** **US D987,766 S**
Parker et al. (45) **Date of Patent:** **** May 30, 2023**

- (54) **HOLOGRAPHIC SIGHT**
- (71) Applicant: **Marsupial Holdings, Inc.**, Waitsfield, VT (US)
- (72) Inventors: **William P Parker**, Waitsfield, VT (US); **Mara Schimelpfenig**, Waitsfield, VT (US); **Loren Thompson**, Waitsfield, VT (US)
- (73) Assignee: **Marsupial Holdings, Inc.**, Waitsfield, VT (US)
- (**) Term: **15 Years**
- (21) Appl. No.: **29/789,984**
- (22) Filed: **Oct. 28, 2021**

Related U.S. Application Data

- (63) Continuation-in-part of application No. PCT/US2021/030314, filed on Apr. 30, 2021.
- (51) **LOC (14) Cl.** **22-01**
- (52) **U.S. Cl.**
USPC **D22/109**
- (58) **Field of Classification Search**
USPC D22/108, 109, 110, 199
CPC F41G 1/16; F41G 1/02; F41G 1/06; F41G 1/14; F41G 1/40; F41G 11/003
See application file for complete search history.

(56) **References Cited**

U.S. PATENT DOCUMENTS

D720,034 S	*	12/2014	Cheng	D22/109
D747,431 S	*	1/2016	Cheng	D22/109
D837,927 S	*	1/2019	Trulsson	D22/109
D848,567 S	*	5/2019	Soejima	D22/109
D849,180 S	*	5/2019	Cheng	D22/109
D869,594 S	*	12/2019	Lance	D22/108

D869,596 S	*	12/2019	Huston	D22/109
D882,716 S	*	4/2020	Connolly	D22/109
D906,465 S	*	12/2020	Horton	D22/109
D921,816 S	*	6/2021	Lee	D22/108
D960,278 S	*	8/2022	Lance	D22/108
D981,524 S	*	3/2023	Sychev	D22/109
2018/0292168 A1	*	10/2018	Borrico	F41G 1/30
2022/0034631 A1	*	2/2022	Rosen	F41G 1/30

OTHER PUBLICATIONS

“SightMark Ultra Shot Plus Reflex Red Dot Sight SM26012, Color: Grey, Battery Type: CR2, 45% Off w/ Free Shipping” [online]. SightMark. [Retrieved on Mar. 24, 2023]. Retrieved from the Internet: <<https://www.opticsplanet.com/sightmark-ultra-shot-plus-grey-red-dot-reflex-sight.html>>.*

* cited by examiner

Primary Examiner — Mojtaba Tehrani

(74) *Attorney, Agent, or Firm* — STGIP, LLC; Shawn Gordon

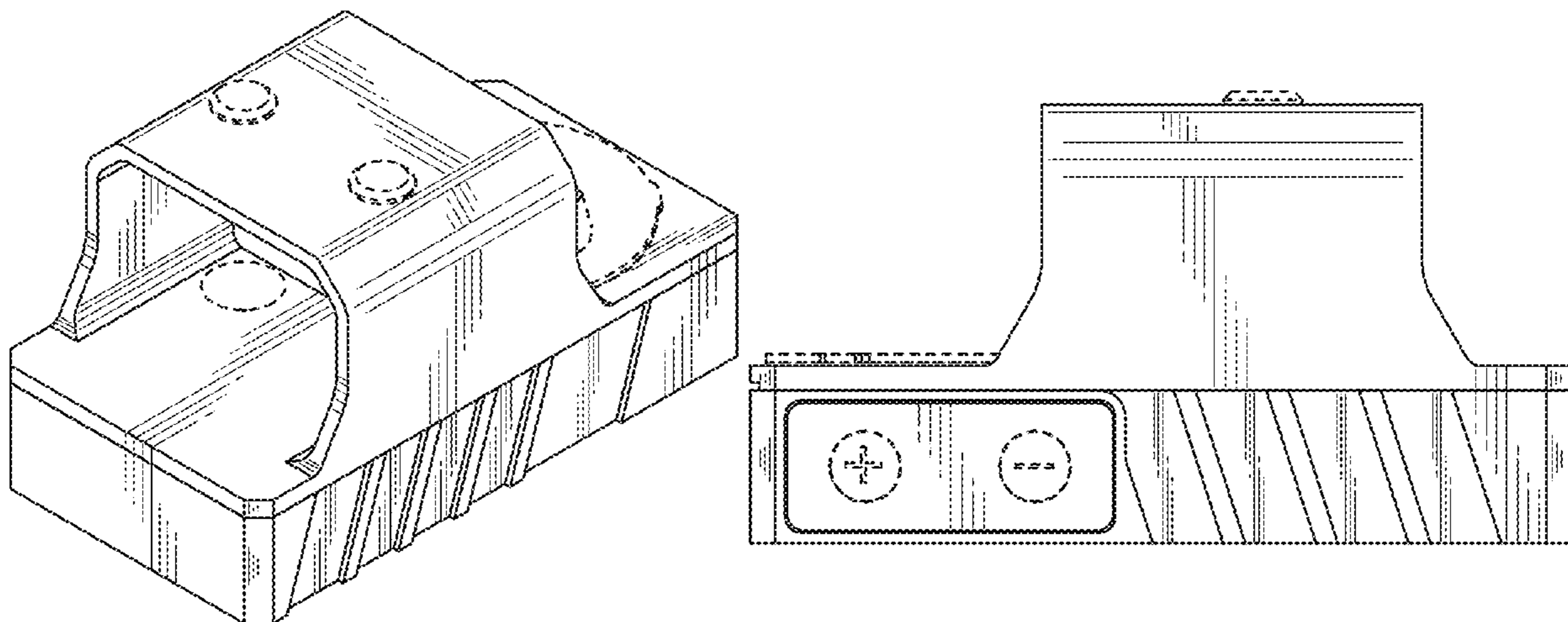
(57) **CLAIM**

The ornamental design for a holographic sight, as shown and described.

DESCRIPTION

FIG. 1 is a perspective view of a holographic sight showing our new design;
FIG. 2 is a front view thereof;
FIG. 3 is a rear view thereof;
FIG. 4 is a left side view thereof;
FIG. 5 is a right side view thereof;
FIG. 6 is a top view thereof; and,
FIG. 7 is a bottom view thereof.
The portions shown in broken line are not part of the design as claimed.

1 Claim, 4 Drawing Sheets



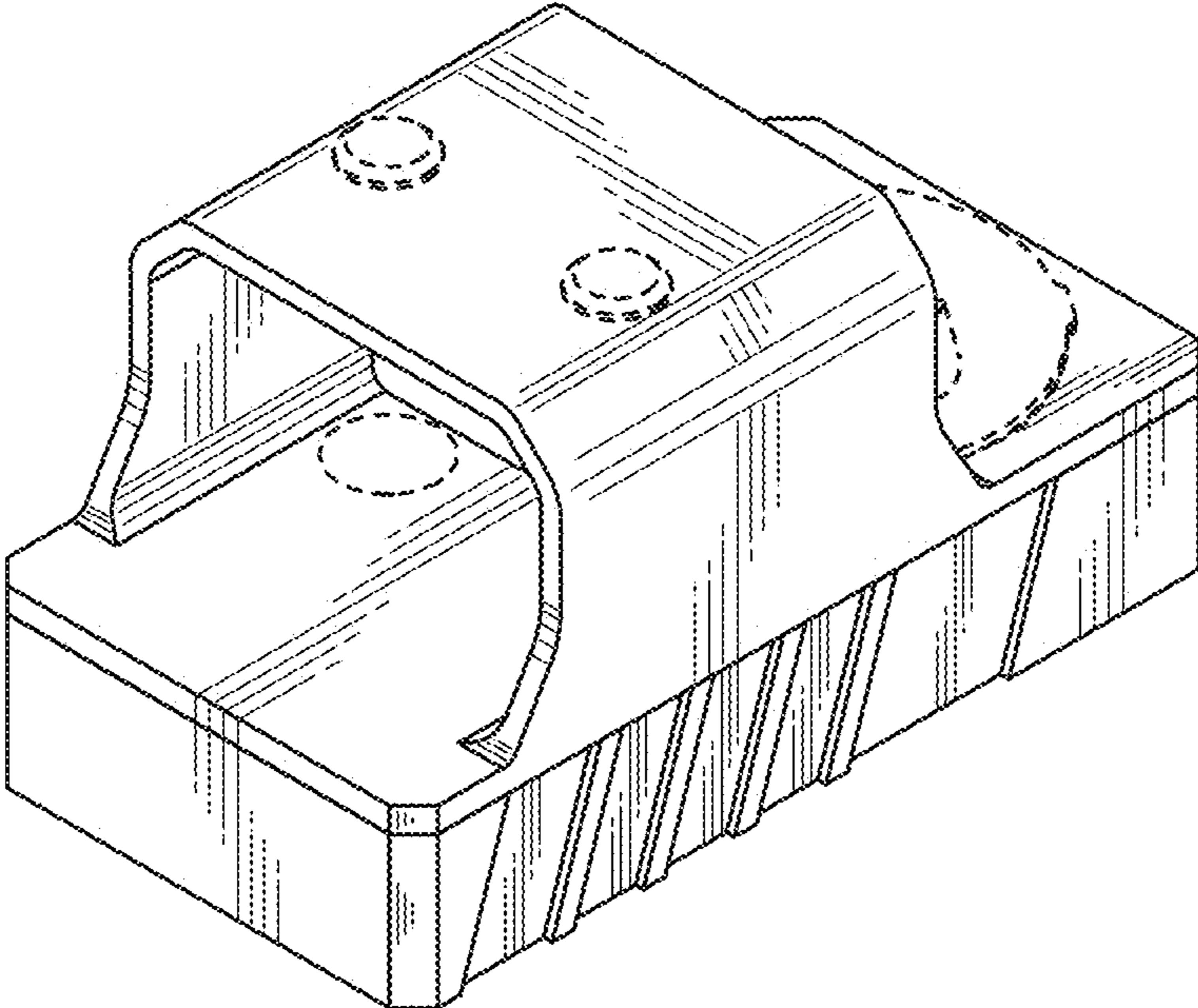


Fig. 1

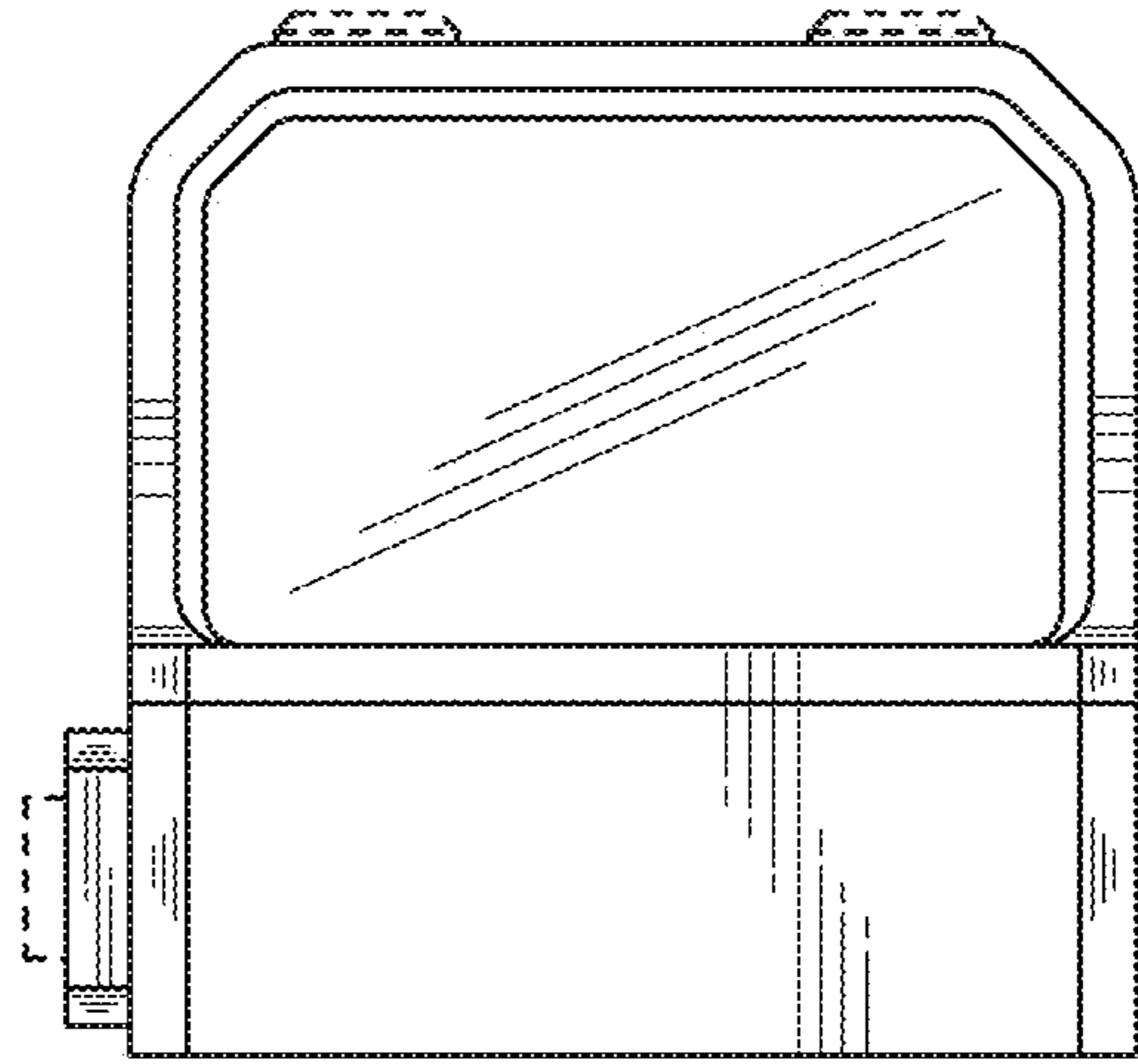


Fig. 2

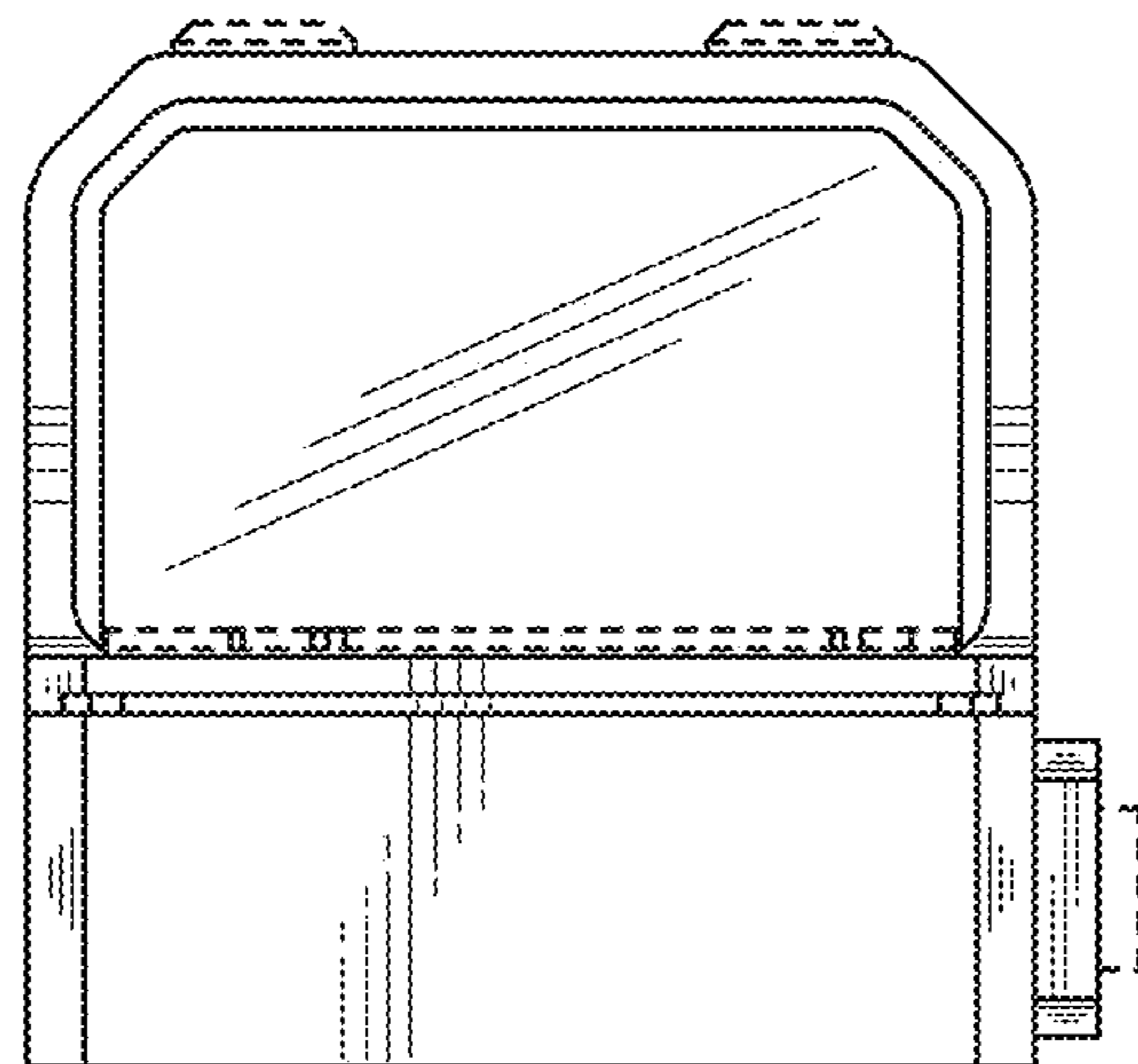


Fig. 3

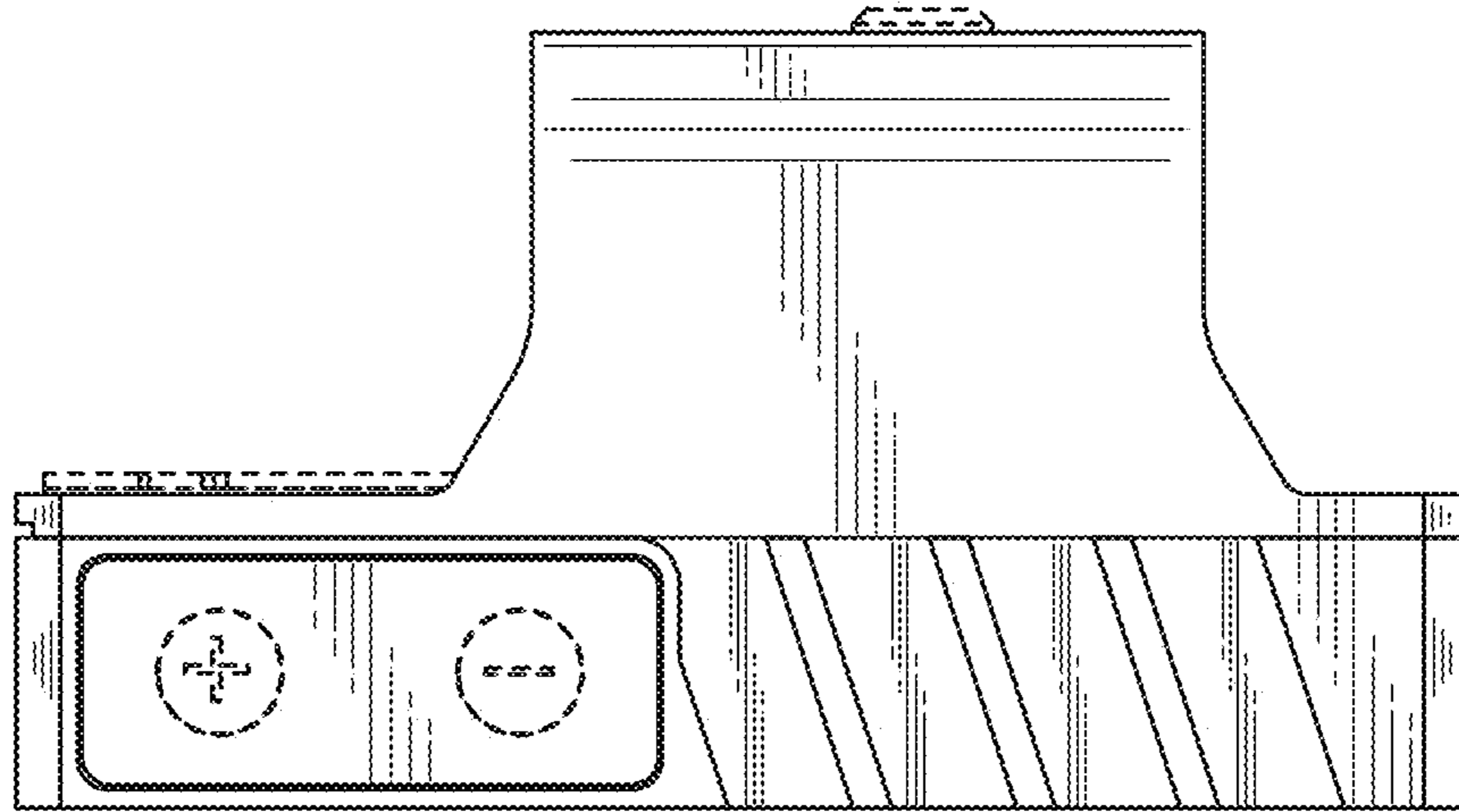


Fig. 4

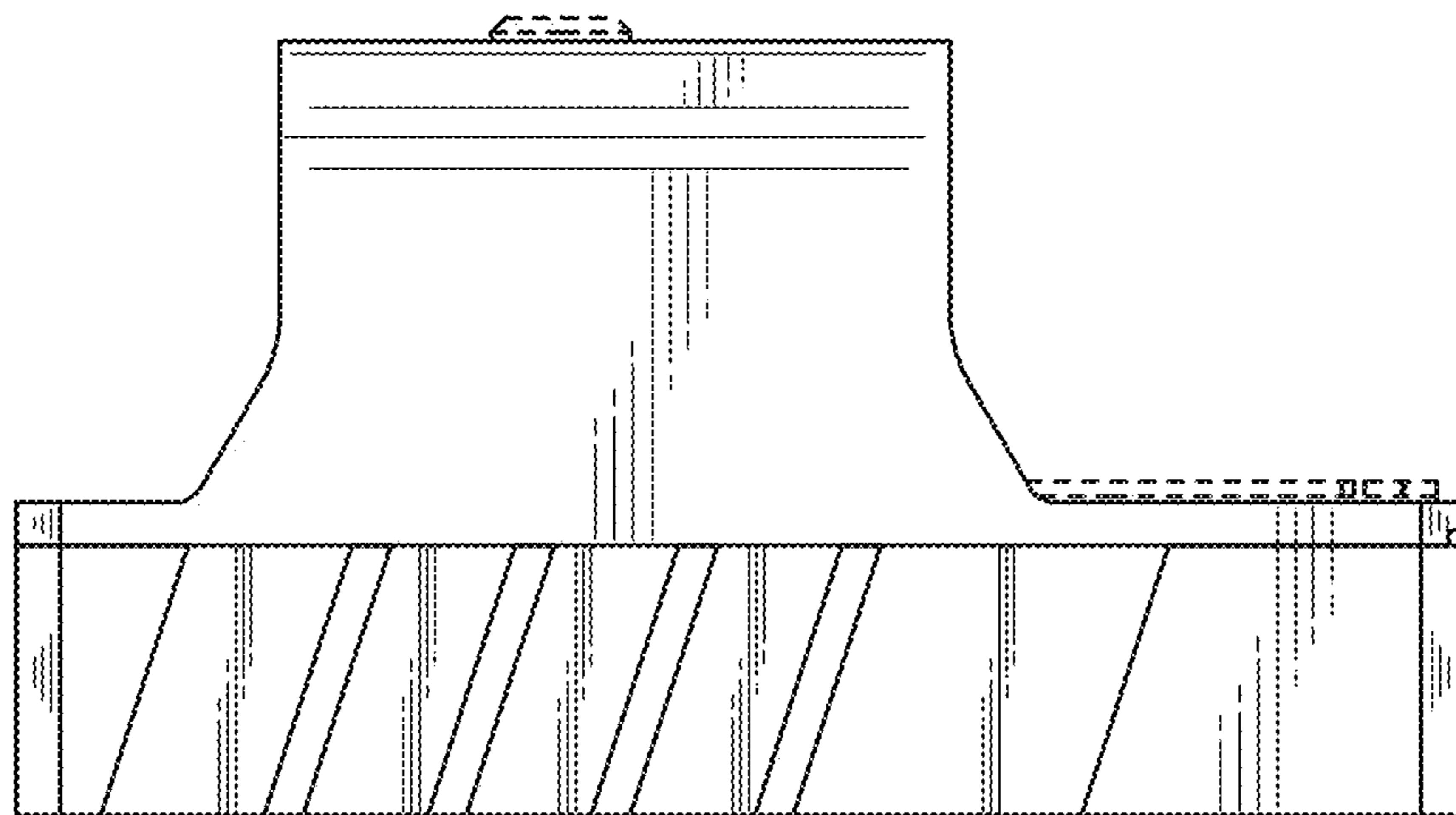


Fig. 5

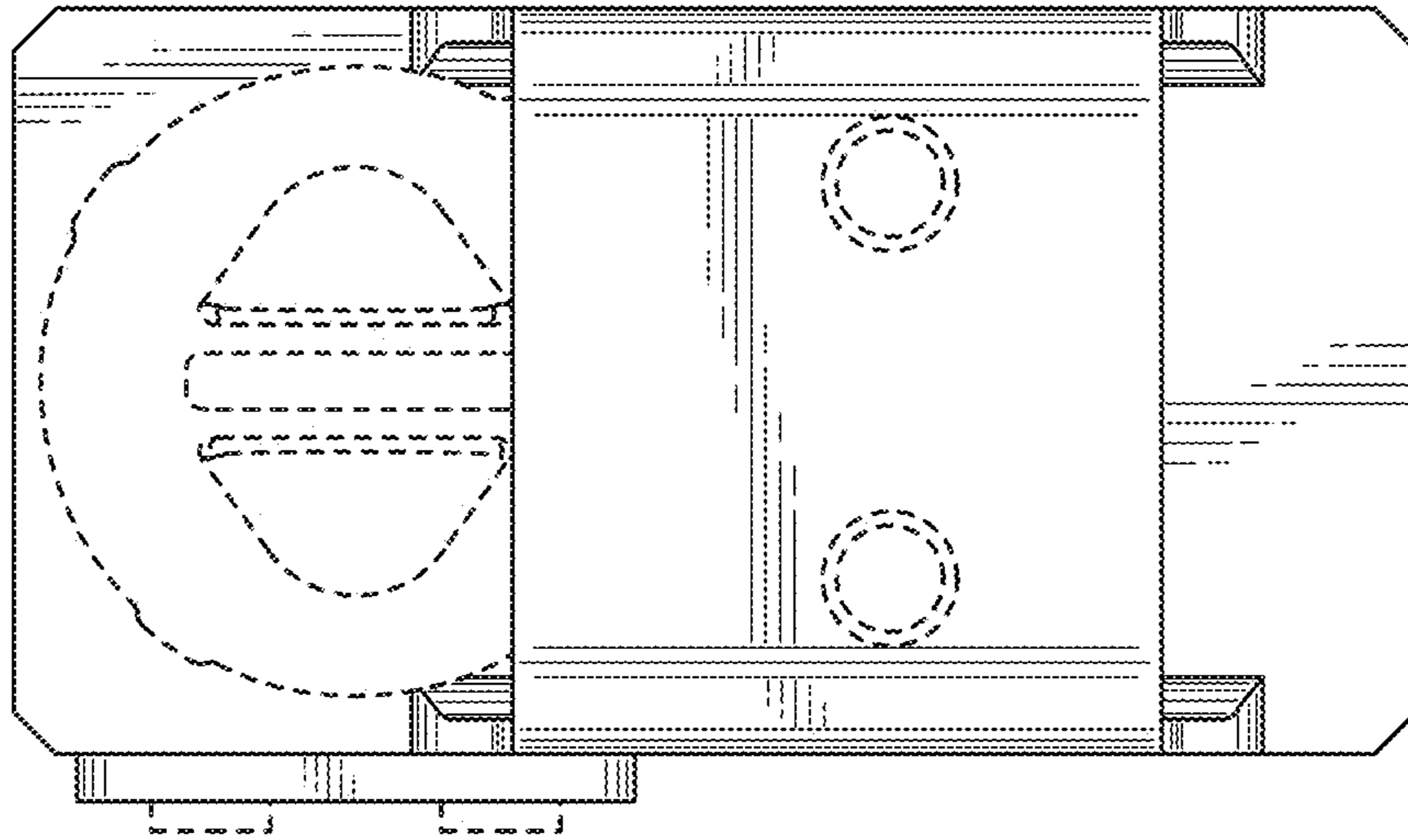


Fig. 6

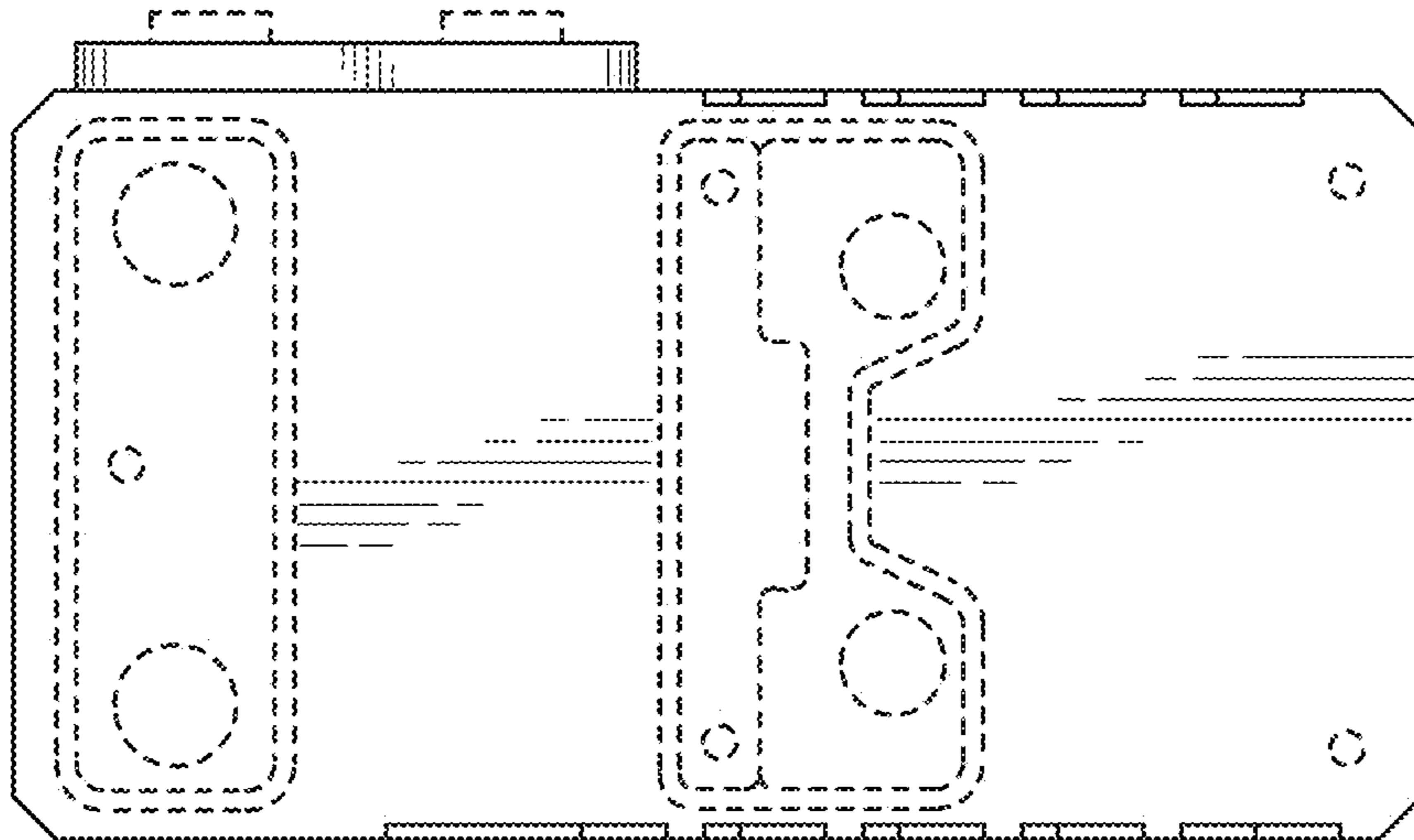


Fig. 7