



US00D987765S

(12) **United States Design Patent**
Sheets, Jr.

(10) **Patent No.:** **US D987,765 S**

(45) **Date of Patent:** **** May 30, 2023**

(54) **OPTICAL AIMING DEVICE**

(71) Applicant: **PRIMARY ARMS, LLC**, Houston, TX
(US)

(72) Inventor: **Robert E Sheets, Jr.**, Houston, TX
(US)

(73) Assignee: **PRIMARY ARMS, LLC**, Houston, TX
(US)

(**) Term: **15 Years**

(21) Appl. No.: **29/732,011**

(22) Filed: **Apr. 20, 2020**

(51) **LOC (14) Cl.** **22-01**

(52) **U.S. Cl.**

USPC **D22/109**; D22/108; D22/110; D22/199

(58) **Field of Classification Search**

USPC D22/108, 109, 132, 110, 199;
D26/37-50

CPC F41G 1/00; F41G 1/17; F41G 1/30; F41G
1/32; F41G 1/345; F41G 11/001; F41G
11/003

See application file for complete search history.

(56) **References Cited**

U.S. PATENT DOCUMENTS

D679,775 S	4/2013	Cheng	
D752,701 S	3/2016	Bengtsson	
D774,157 S	12/2016	Koesler et al.	
D787,627 S	5/2017	Horton	
D807,462 S *	1/2018	Larsson	D22/109
D819,160 S	5/2018	Hamilton et al.	
D828,478 S *	9/2018	Thomas	D22/108
D846,691 S	4/2019	Cheng et al.	
D856,458 S	8/2019	Cheng et al.	
D857,268 S *	8/2019	Worman	D26/60
D857,960 S *	8/2019	Worman	D26/60
D873,946 S *	1/2020	Hedeem	D22/109
D885,510 S *	5/2020	Wells	D22/108
D888,875 S *	6/2020	Hamilton	D22/109

D898,260 S *	10/2020	Worman	D22/108
D898,261 S *	10/2020	Worman	D22/108
D907,267 S *	1/2021	Worman	D26/60
D907,268 S *	1/2021	Worman	D26/60
D907,269 S *	1/2021	Worman	D26/60
D907,270 S *	1/2021	Worman	D26/60

(Continued)

OTHER PUBLICATIONS

The Best Optic For the End of the World?, YouTube-Garand Thumb.
Publication Date: Jul. 6, 2021. Date Accessed: Nov. 16, 2022.
Accessed on the YouTube URL: The Best Optic For the End of the
World? (Year: 2021).*

(Continued)

Primary Examiner — S. Bryan Reinholdt, Jr.

Assistant Examiner — Kaitlan Walker

(74) *Attorney, Agent, or Firm* — The Compton Law Firm,
P.C.; Scott D. Compton

(57) **CLAIM**

The ornamental design for an optical aiming device, as
shown and described.

DESCRIPTION

FIG. 1 is a top perspective view of an optical aiming device
showing my new design;

FIG. 2 is a front side view thereof;

FIG. 3 is a back side view thereof;

FIG. 4 is a left side view thereof;

FIG. 5 is a right side view thereof;

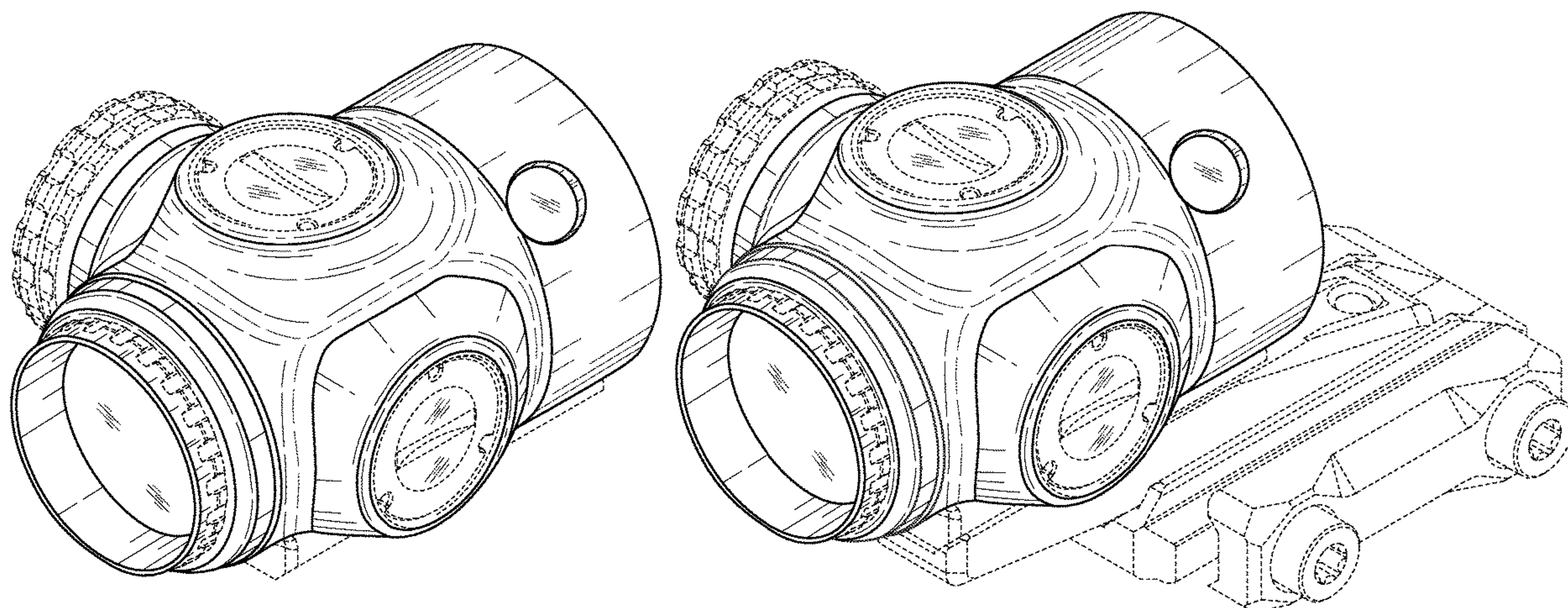
FIG. 6 is a bottom view thereof;

FIG. 7 is a top view thereof; and,

FIG. 8 is a top perspective view thereof.

The broken lines depict portions of the optical aiming device
that form no part of the claimed design. The broken lines in
FIG. 8 that depict the environment of a mount forms no part
of the claimed design.

1 Claim, 8 Drawing Sheets



(56)

References Cited

U.S. PATENT DOCUMENTS

D913,553 S * 3/2021 Worman D26/60
D913,554 S * 3/2021 Worman D26/60
D914,260 S * 3/2021 Worman D26/60
D919,149 S * 5/2021 Worman D26/60
D919,150 S * 5/2021 Worman D26/60
2010/0162611 A1* 7/2010 Samson F41G 11/003
42/125
2016/0216076 A1 7/2016 Teetzel et al.
2019/0154243 A1* 5/2019 Worman F21V 19/0035
2021/0025568 A1* 1/2021 Worman F21V 17/002
2021/0140743 A1* 5/2021 Chen F41G 11/003
2021/0254931 A1* 8/2021 Rosen F41G 1/383

OTHER PUBLICATIONS

Cool vid on our 1x ACSS Gemini 9mm, YouTube-Primary Arms, LLC. Publication Date: Dec. 30, 2021. Date Accessed: Nov. 16, 2022. Accessed on the YouTube URL: Cool vid on our 1x ACSS Gemini 9mm (Year: 2021).*

Gunboxing: New ACSS Gemini 9mm BDC 1x Micro Prism From Primary Arms, YouTube-The Chopping Block. Publication Date: Sep. 29, 2021. Date Accessed: Nov. 16, 2022. Accessed on the YouTube URL: Gunboxing: New ACSS Gemini 9mm BDC 1x Micro Prism From Primary Arms (Year: 2021).*

Primary Arms Cyclops V2, YouTube-Kit Badger. Publication Date: Jun. 20, 2022. Date Accessed: Nov. 16, 2022. Accessed on the YouTube URL: Primary Arms Cyclops V2 (Year: 2022).*

* cited by examiner

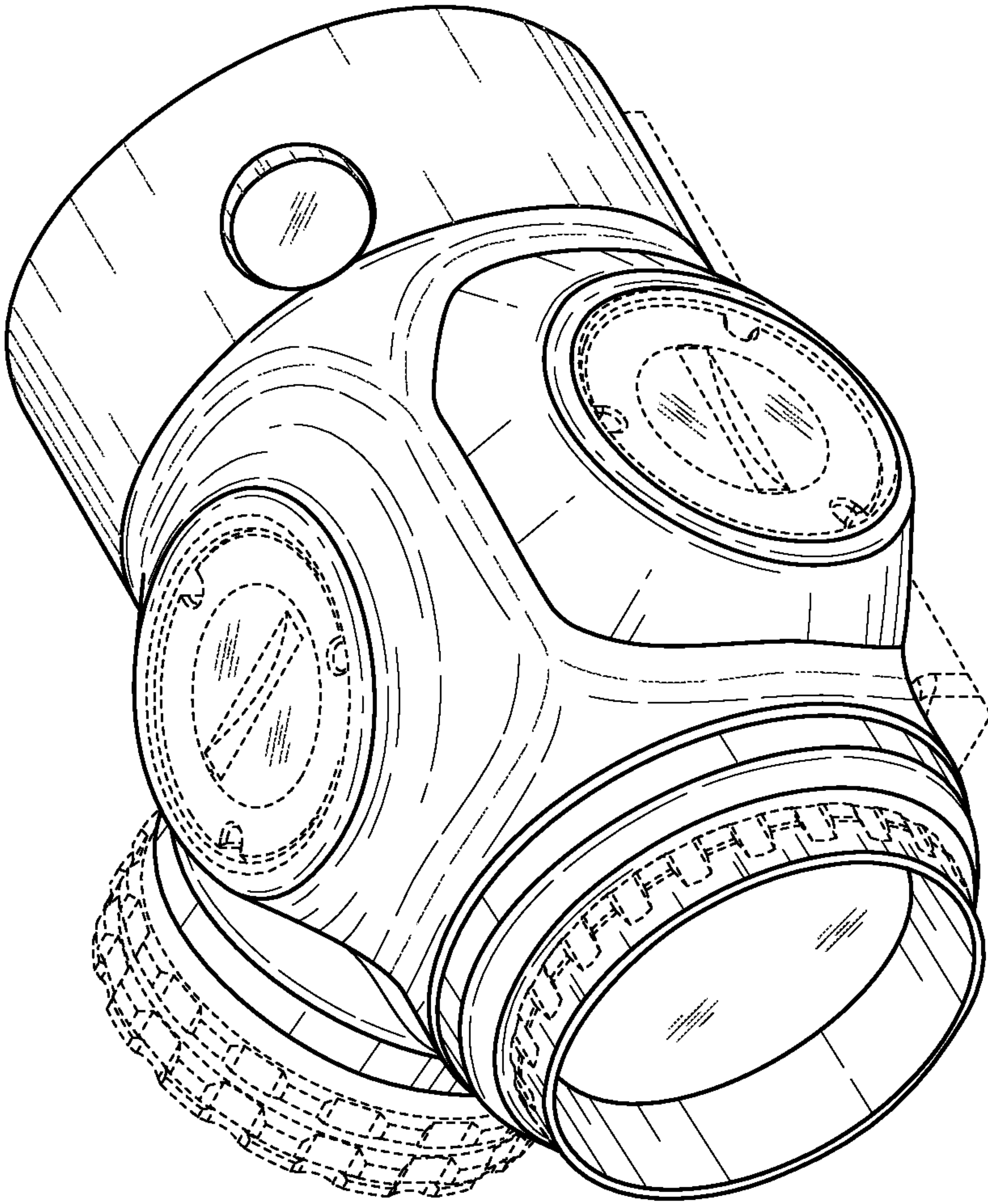


FIG. 1

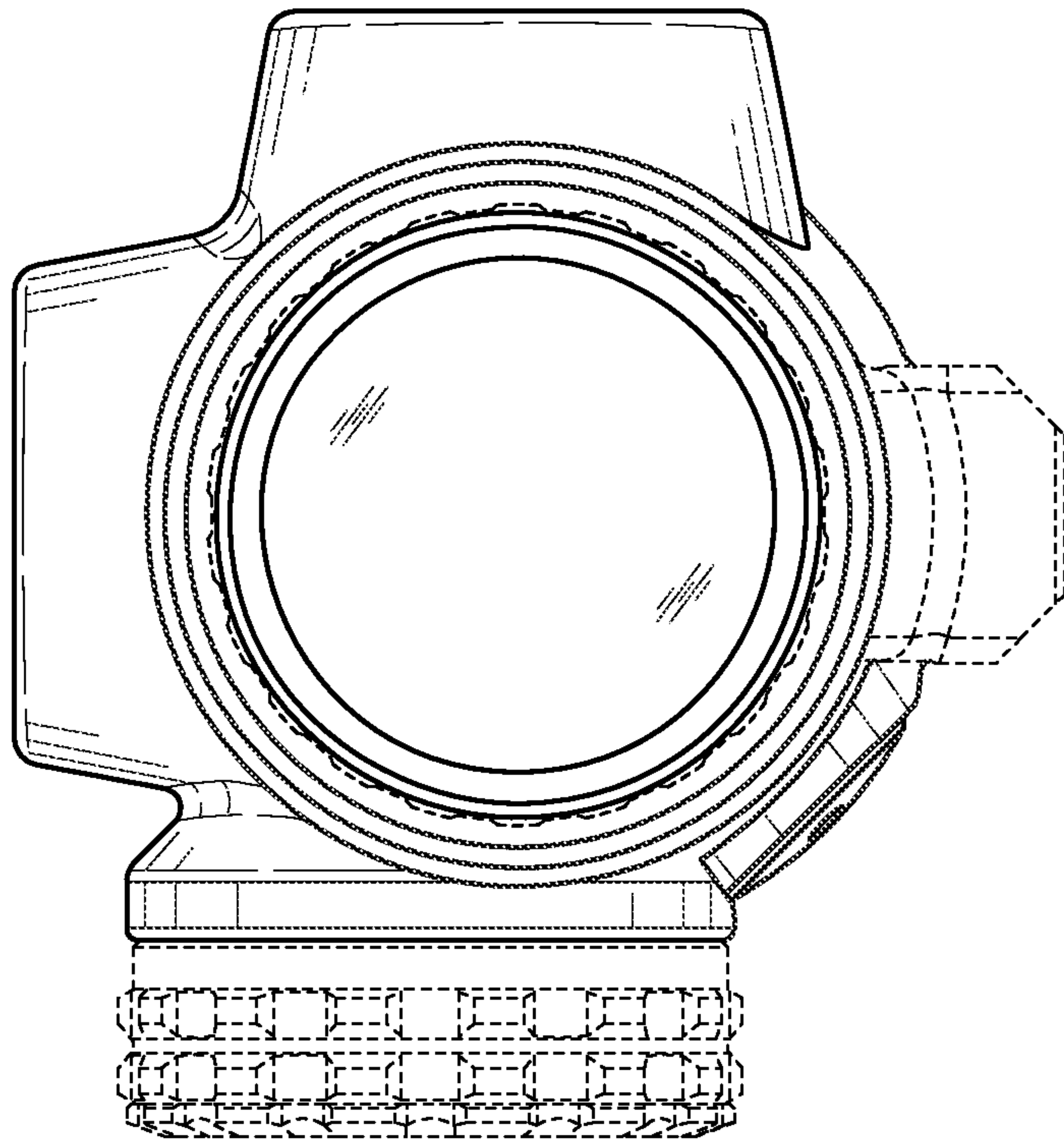


FIG. 2

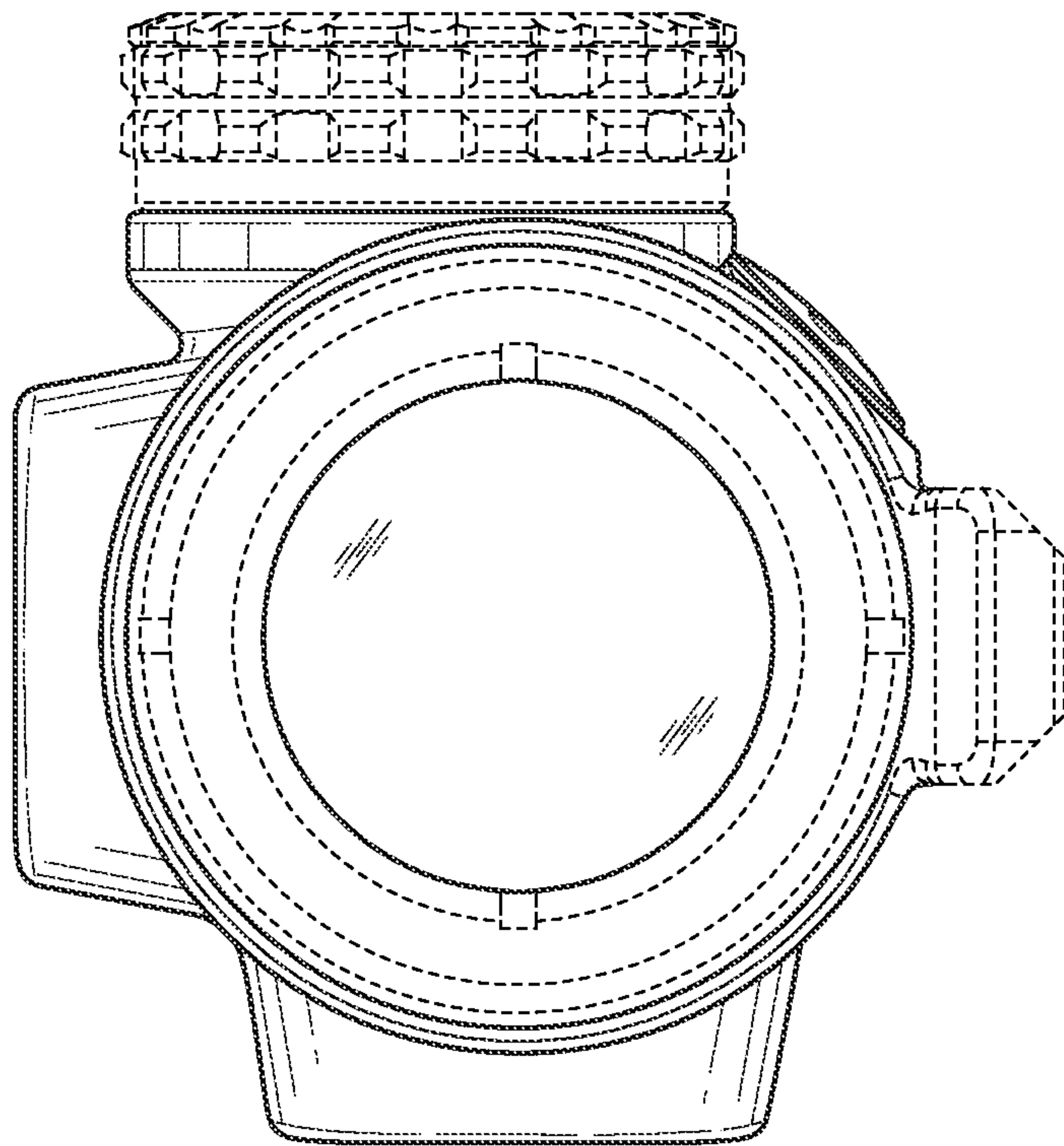


FIG. 3

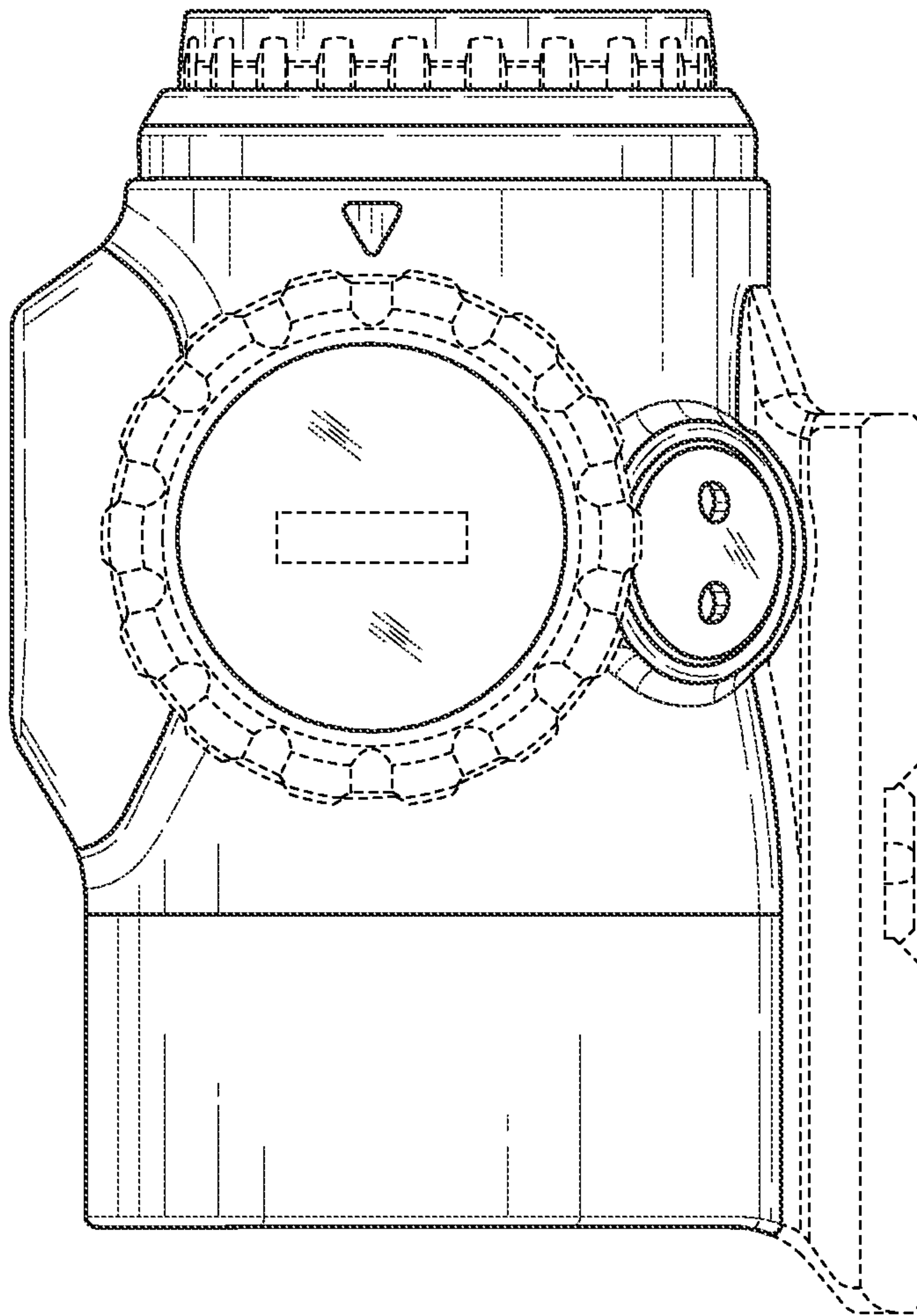


FIG. 4

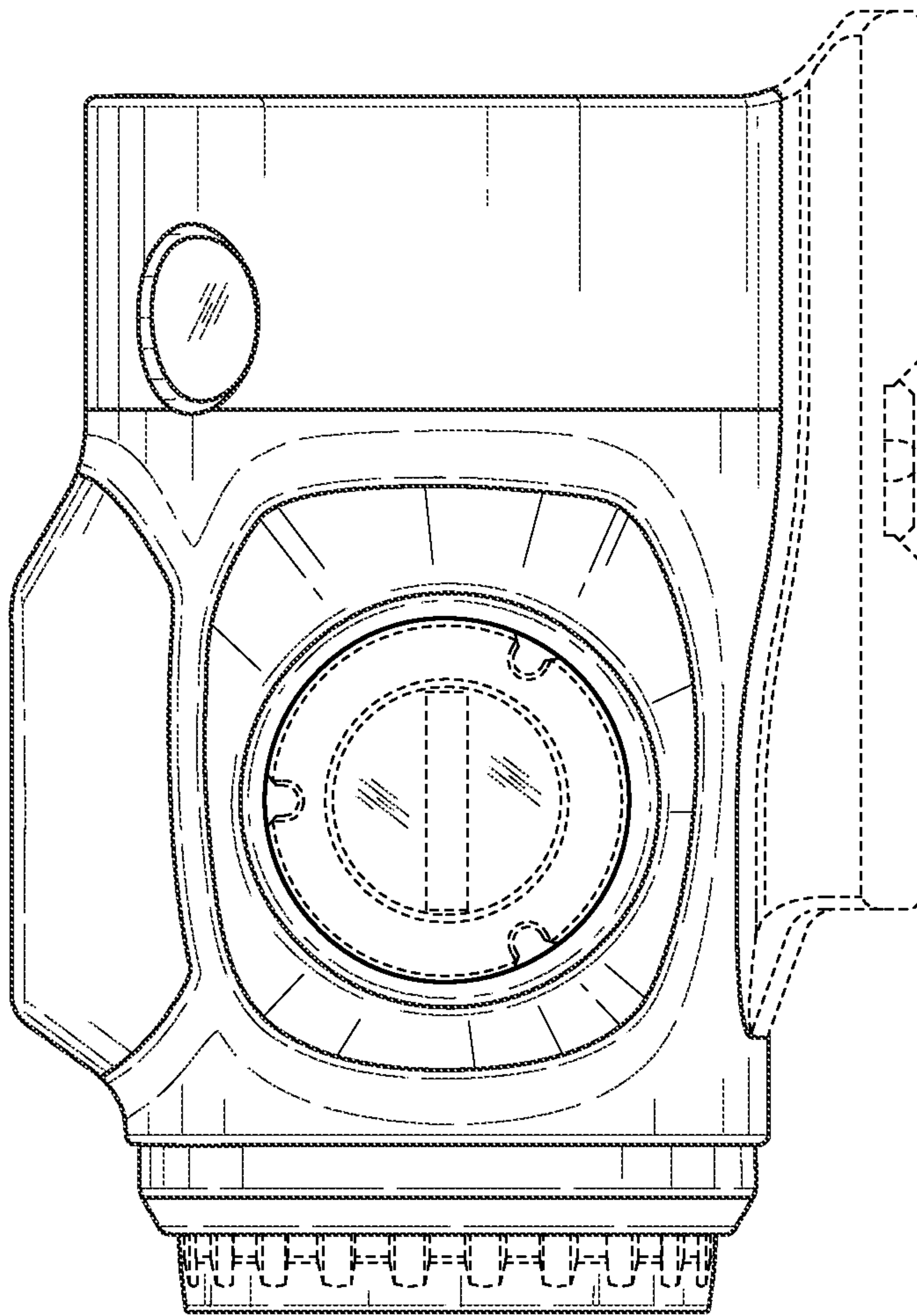


FIG. 5

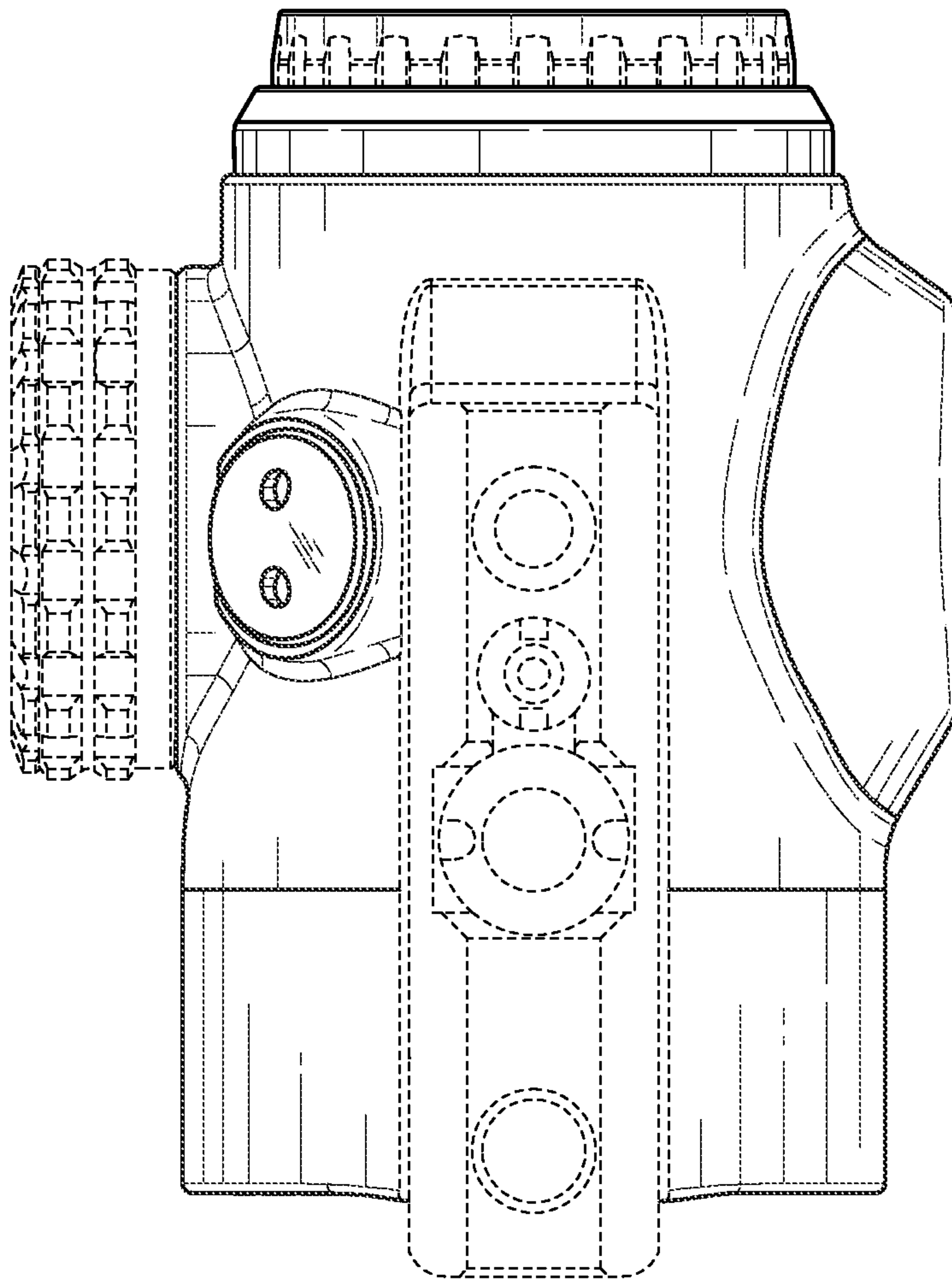


FIG. 6

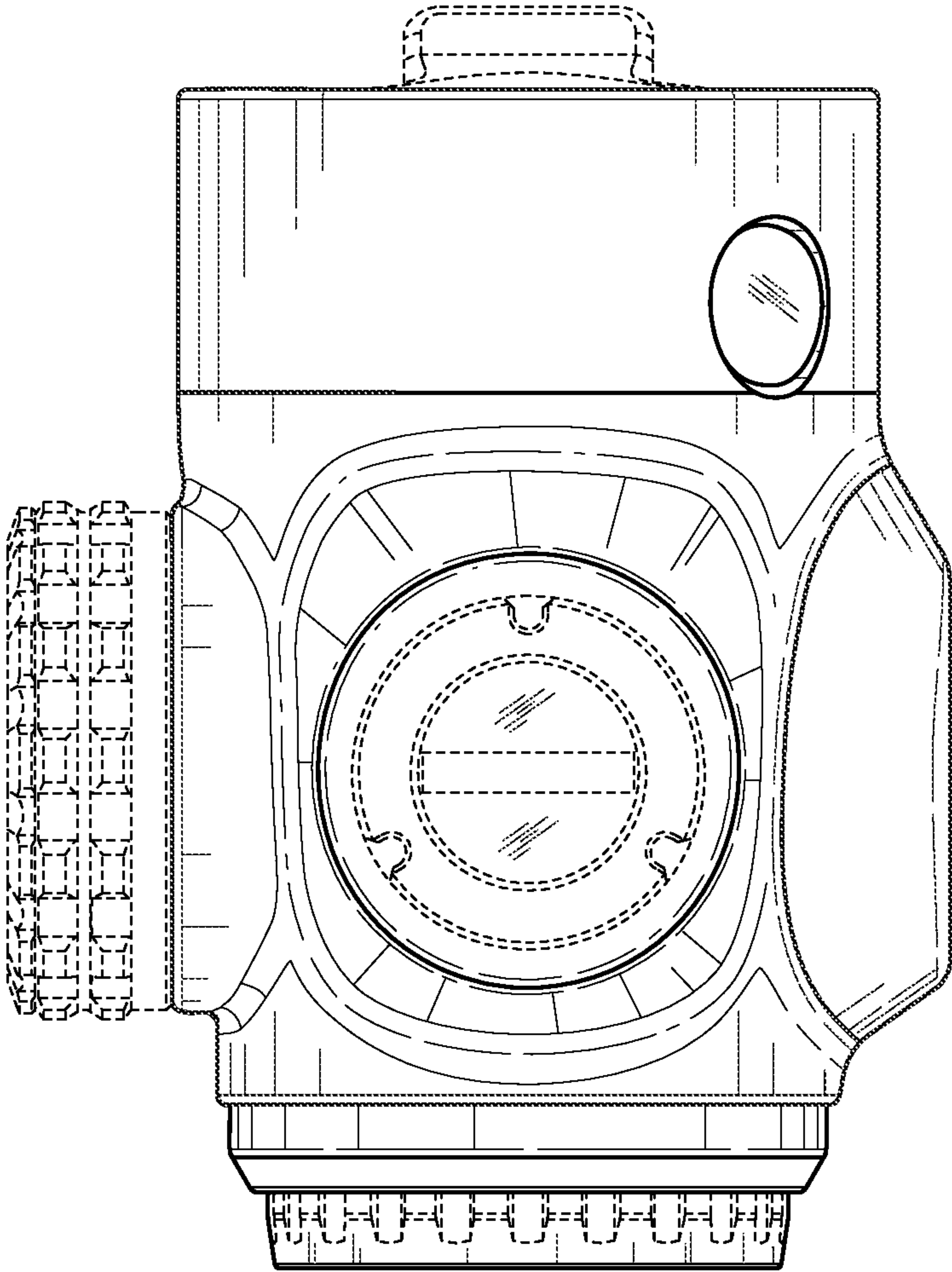


FIG. 7

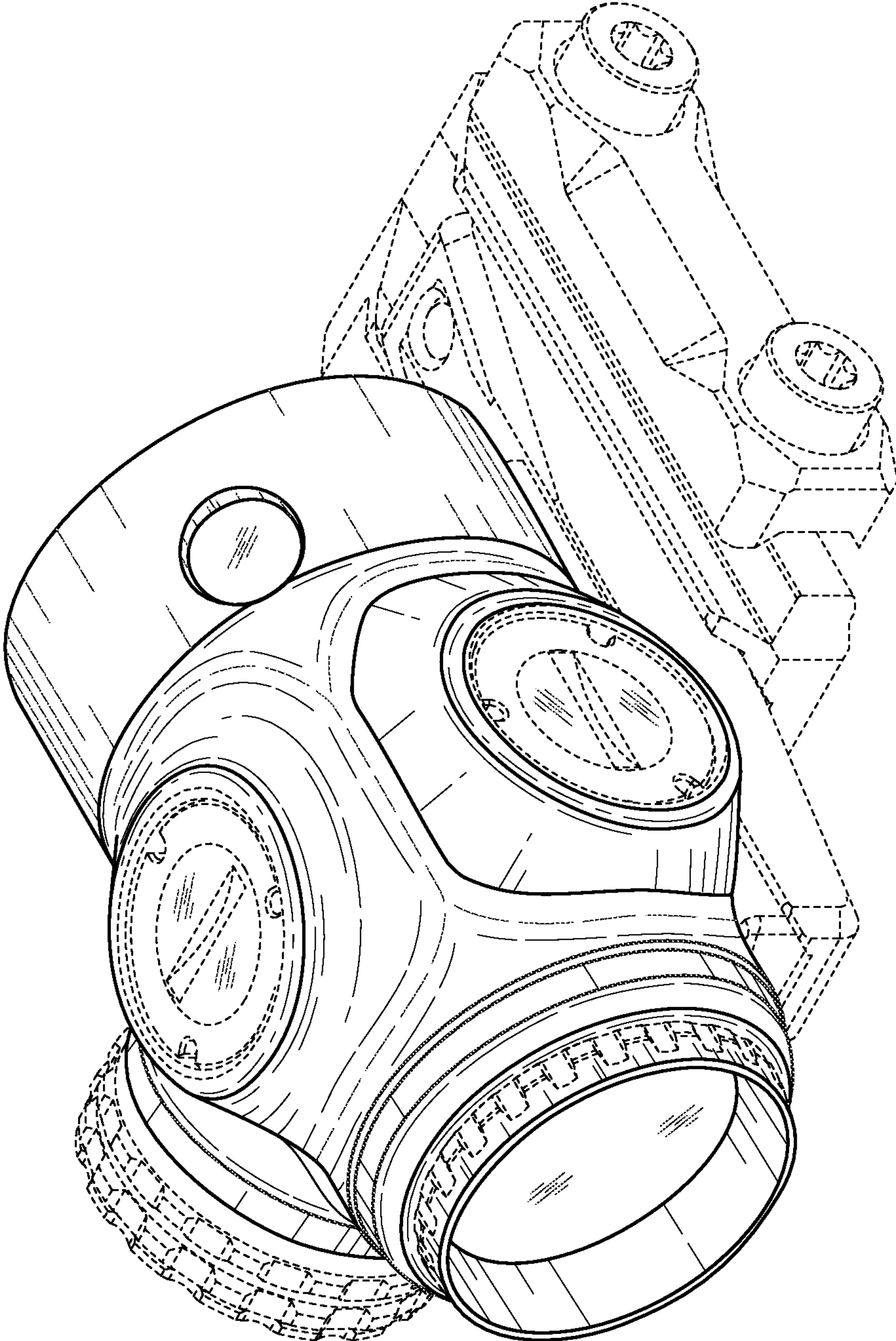


FIG. 8