



US00D987764S

(12) **United States Design Patent**
Yudys et al.

(10) **Patent No.:** **US D987,764 S**

(45) **Date of Patent:** **** May 30, 2023**

(54) **END CAP PLUG ATTACHABLE TO A FIREARM LOWER RECEIVER**

(71) Applicant: **22 Evolution LLC**, Columbia, MO (US)

(72) Inventors: **Joshua Thomas Yudys**, Columbia, MO (US); **John L. Overstreet**, Fayette, MO (US)

(73) Assignee: **22 EVOLUTION LLC**, Columbia, MO (US)

(**) Term: **15 Years**

(21) Appl. No.: **29/784,343**

(22) Filed: **May 19, 2021**

(51) **LOC (14) Cl.** **22-01**

(52) **U.S. Cl.**
USPC **D22/108**

(58) **Field of Classification Search**
USPC D3/214, 215, 221, 262; D21/694;
D22/103, 108, 109, 199
CPC F41C 23/02; F41C 33/002; F41C 33/006;
F41C 33/007
See application file for complete search history.

(56) **References Cited**

U.S. PATENT DOCUMENTS

5,859,917 A * 1/1999 Silber H04R 9/02
181/150
8,142,125 B2 * 3/2012 Vrana F16B 37/062
411/181
D667,914 S * 9/2012 Storch D22/108
8,312,662 B2 * 11/2012 Rogers F41C 23/02
42/85

(Continued)

OTHER PUBLICATIONS

CMMG, End Cap, AR15, 22LR, Logo, Online Product Page.
Earliest Publication Date: Feb. 28, 2021. Date Accessed: Jan. 27,

2023. Retrieved from Internet URL: <https://cmmg.com/end-cap-ar15-22lr-logo> (Year: 2021).*

(Continued)

Primary Examiner — S. Bryan Reinholdt, Jr.

Assistant Examiner — Kaitlan N Oliver

(74) *Attorney, Agent, or Firm* — Dinsmore & Shohl LLP

(57) **CLAIM**

The ornamental design for an end cap plug attachable to a firearm lower receiver, as shown and described.

DESCRIPTION

FIG. 1 is a perspective view of an end cap plug attachable to a firearm lower receiver in a use configuration with environment;

FIG. 2 is a 180 degree rotated perspective view of the end cap plug attachable to a firearm lower receiver in a use configuration with environment;

FIG. 3 is a perspective view of the end cap plug attachable to a firearm lower receiver;

FIG. 4 is a 180 degree rotated perspective view of FIG. 3;

FIG. 5 is a front plan view of the design shown in FIG. 3;

FIG. 6 is a rear plan view of the design shown in FIG. 3;

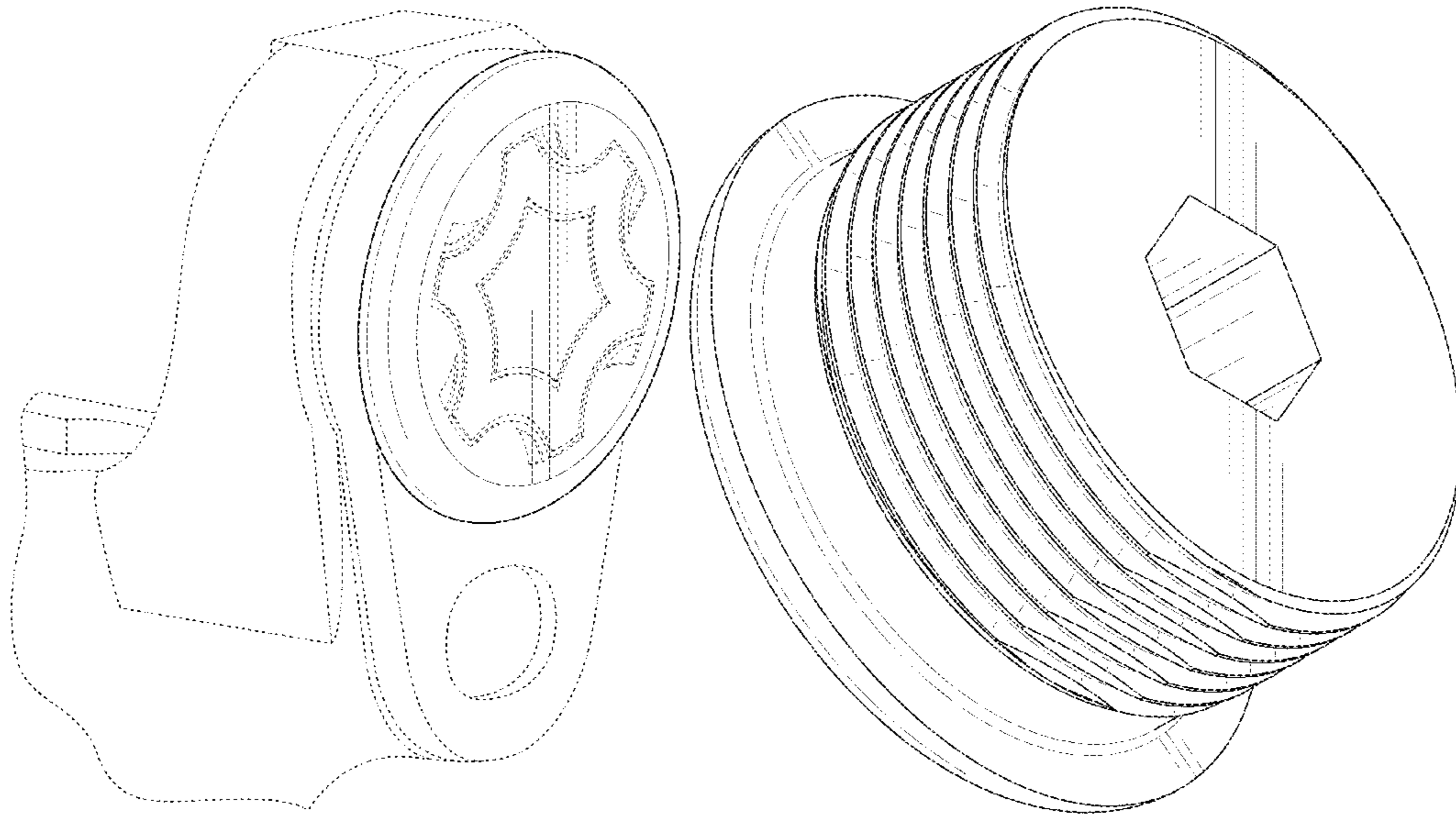
FIG. 7 is a left side plan view of the design shown in FIG. 3;

FIG. 8 is a right side plan view of the design shown in FIG. 3;

FIG. 9 is a top view of the design shown in FIG. 3; and, FIG. 10 is a bottom view of the design shown in FIG. 3.

The broken lines in FIGS. 1, 3, and 5 depict portions of the end cap plug attachable to a firearm lower receiver that form no part of the claimed design. The broken lines of FIGS. 1 and 2 depict environment of a firearm receiver that forms no part of the claimed design.

1 Claim, 9 Drawing Sheets



(56)

References Cited

U.S. PATENT DOCUMENTS

8,596,504 B2 * 12/2013 Haley, Sr. F41C 33/002
 224/150
 8,793,916 B2 * 8/2014 Rogers F41C 23/02
 24/2.5
 8,966,798 B1 3/2015 Sanzo
 9,052,157 B1 * 6/2015 Montes F41C 33/002
 D746,404 S * 12/2015 Chow D22/108
 9,435,595 B2 * 9/2016 Azhocar F41C 23/02
 9,488,435 B1 * 11/2016 Roberts F41C 23/14
 9,523,552 B2 * 12/2016 Eitan F16B 37/122
 D834,679 S * 11/2018 Garcia, Jr. D22/108
 10,184,737 B2 * 1/2019 Roberts B29C 45/14
 10,598,450 B1 3/2020 Welch et al.
 D892,252 S * 8/2020 Storch D22/108
 D905,812 S * 12/2020 Chin D22/108
 11,092,403 B2 * 8/2021 Ray F41C 23/20
 D940,811 S * 1/2022 McPhee D22/108
 2010/0162609 A1 * 7/2010 Rogers F41C 23/02
 29/525.01
 2010/0287808 A1 * 11/2010 King F41C 23/02
 42/85
 2011/0138671 A1 * 6/2011 Rogers F41C 33/002
 42/85

OTHER PUBLICATIONS

[www.model1sales.com/index.cfm?fuseaction=category.display
 &category_id=430](http://www.model1sales.com/index.cfm?fuseaction=category.display&category_id=430), Dec. 18, 2020.
[https://spikeestactical.com/collections/lower-parts/st22-pistol-
 plug/](https://spikeestactical.com/collections/lower-parts/st22-pistol-plug/), May 10, 2021, pp. 1-4.

* cited by examiner

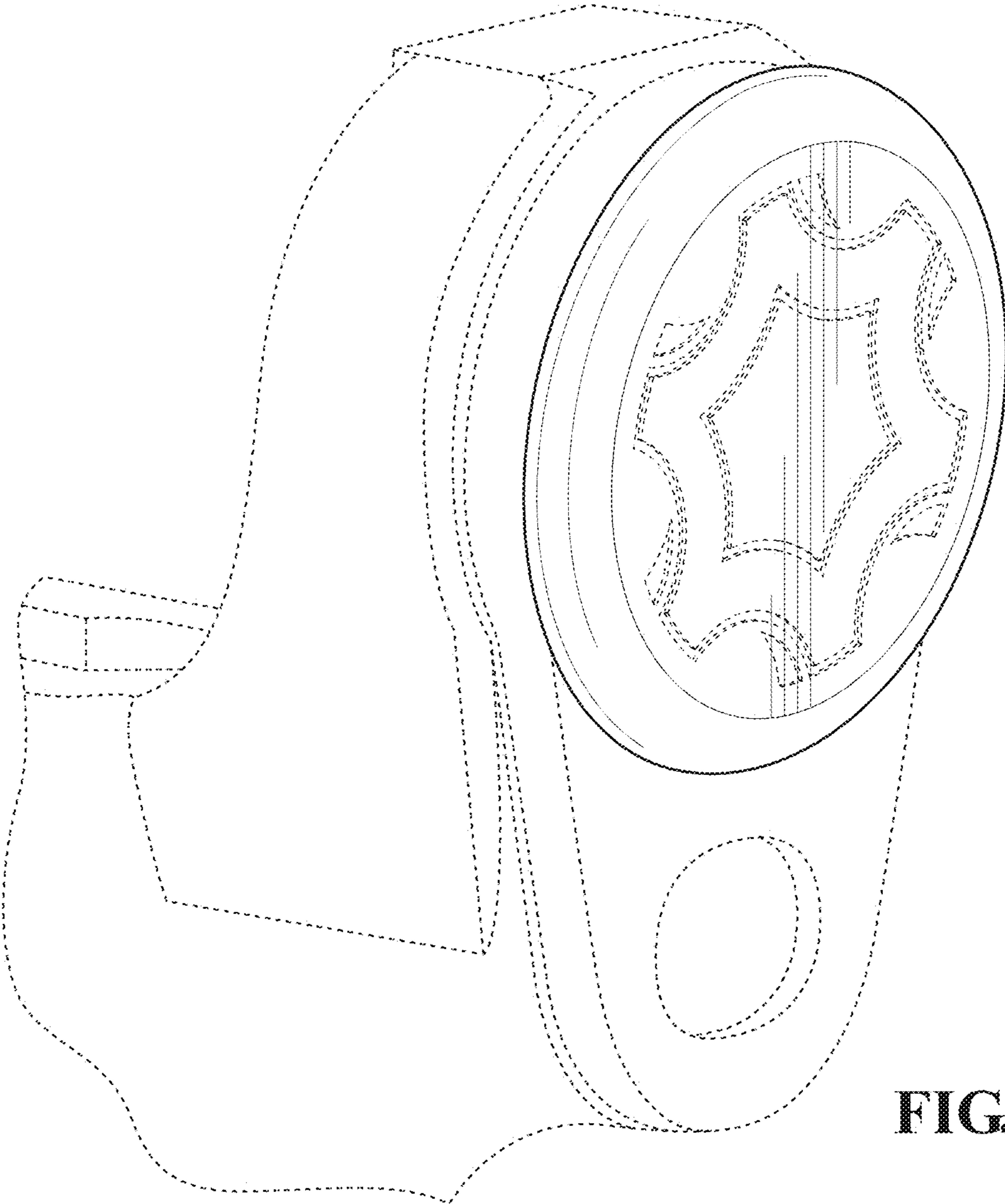


FIG. 1

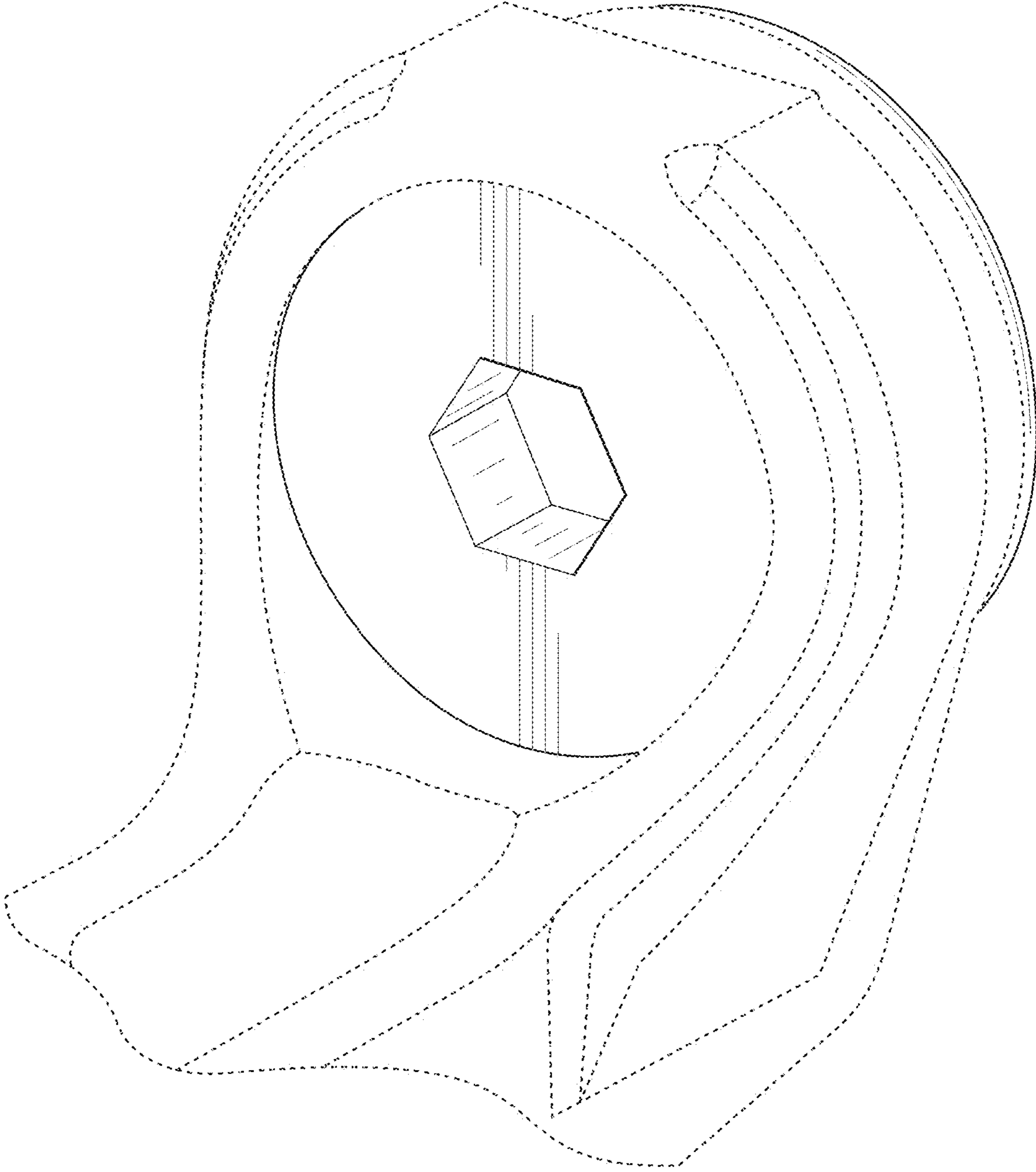


FIG. 2

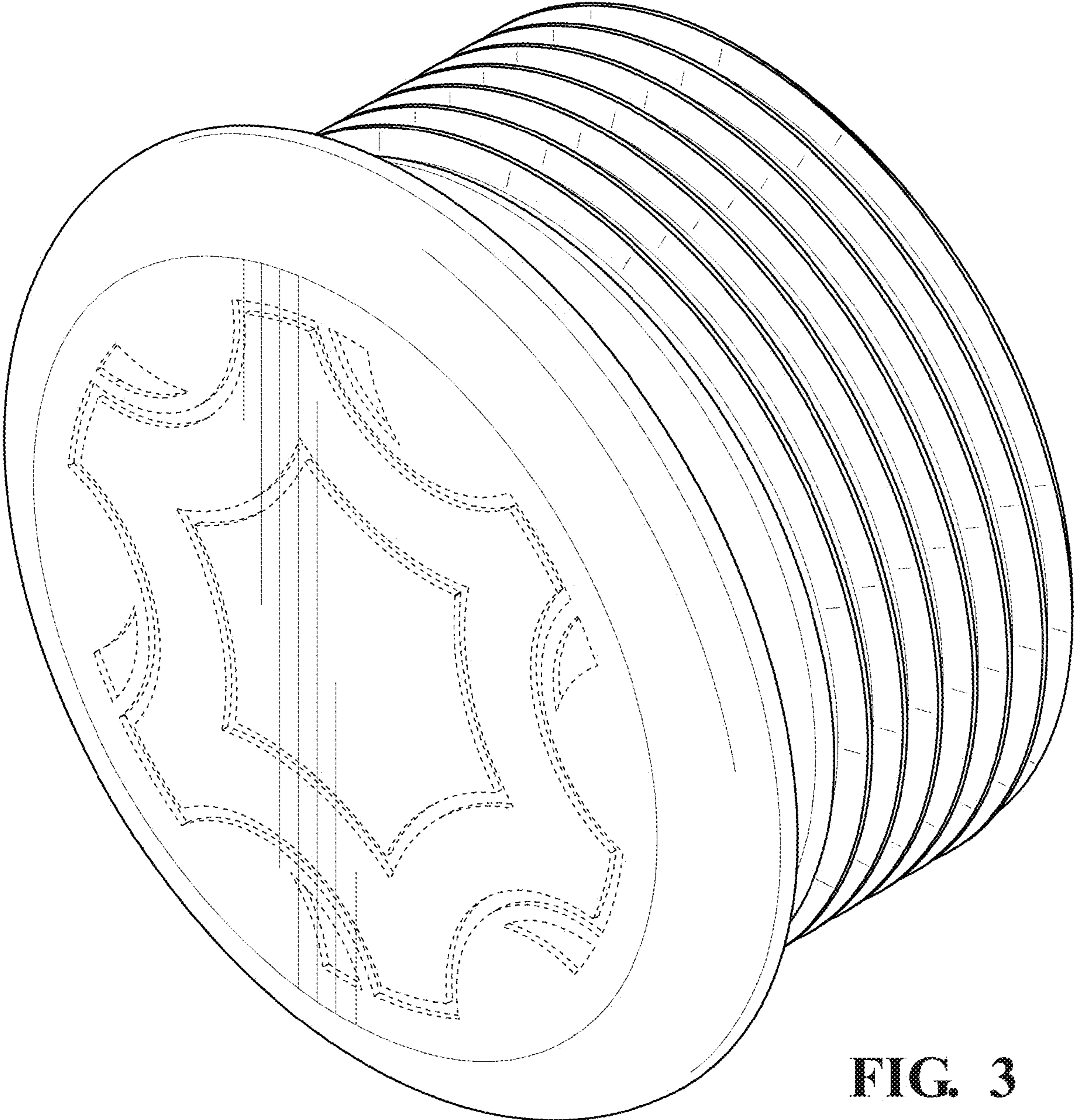


FIG. 3

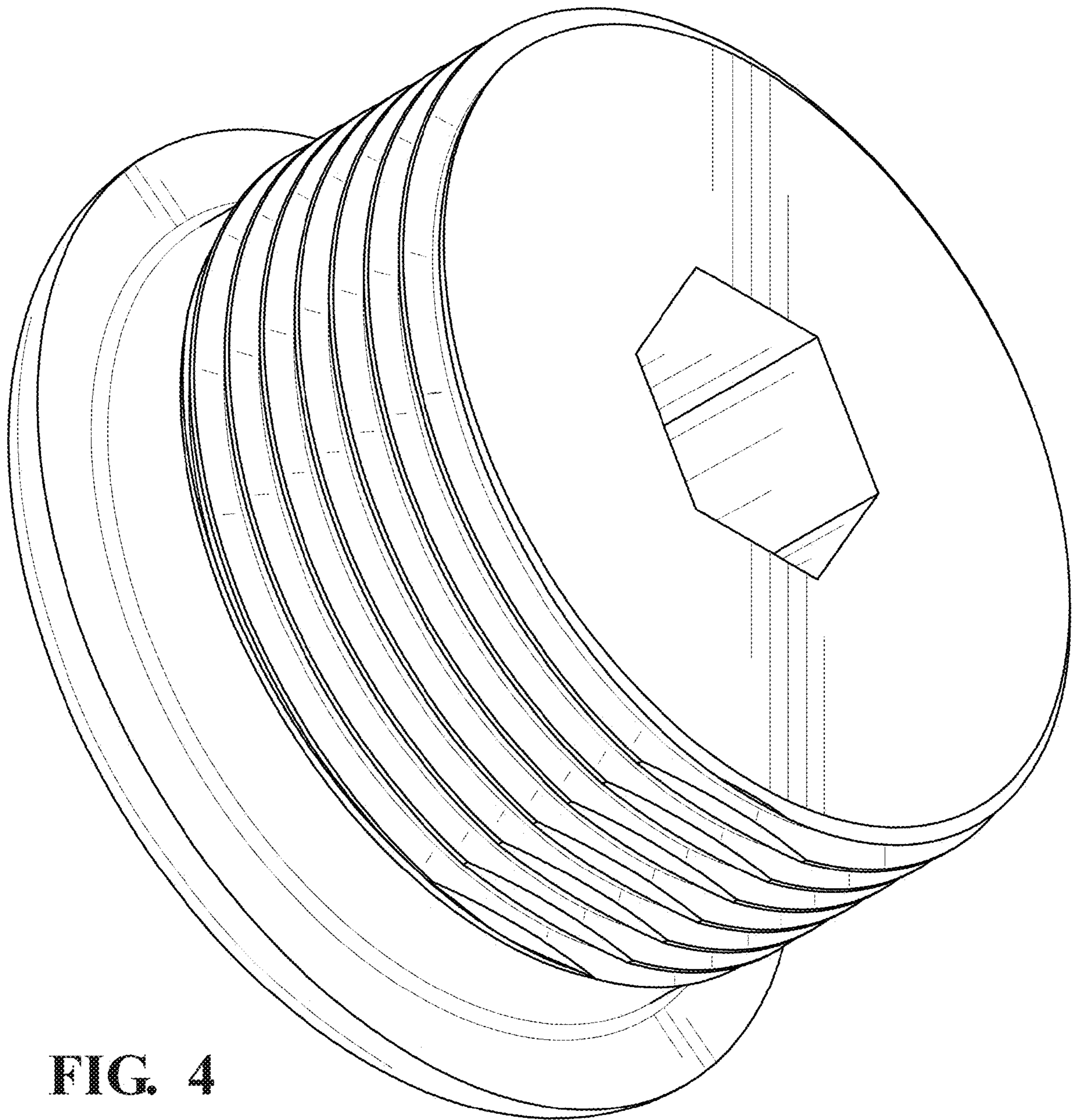


FIG. 4

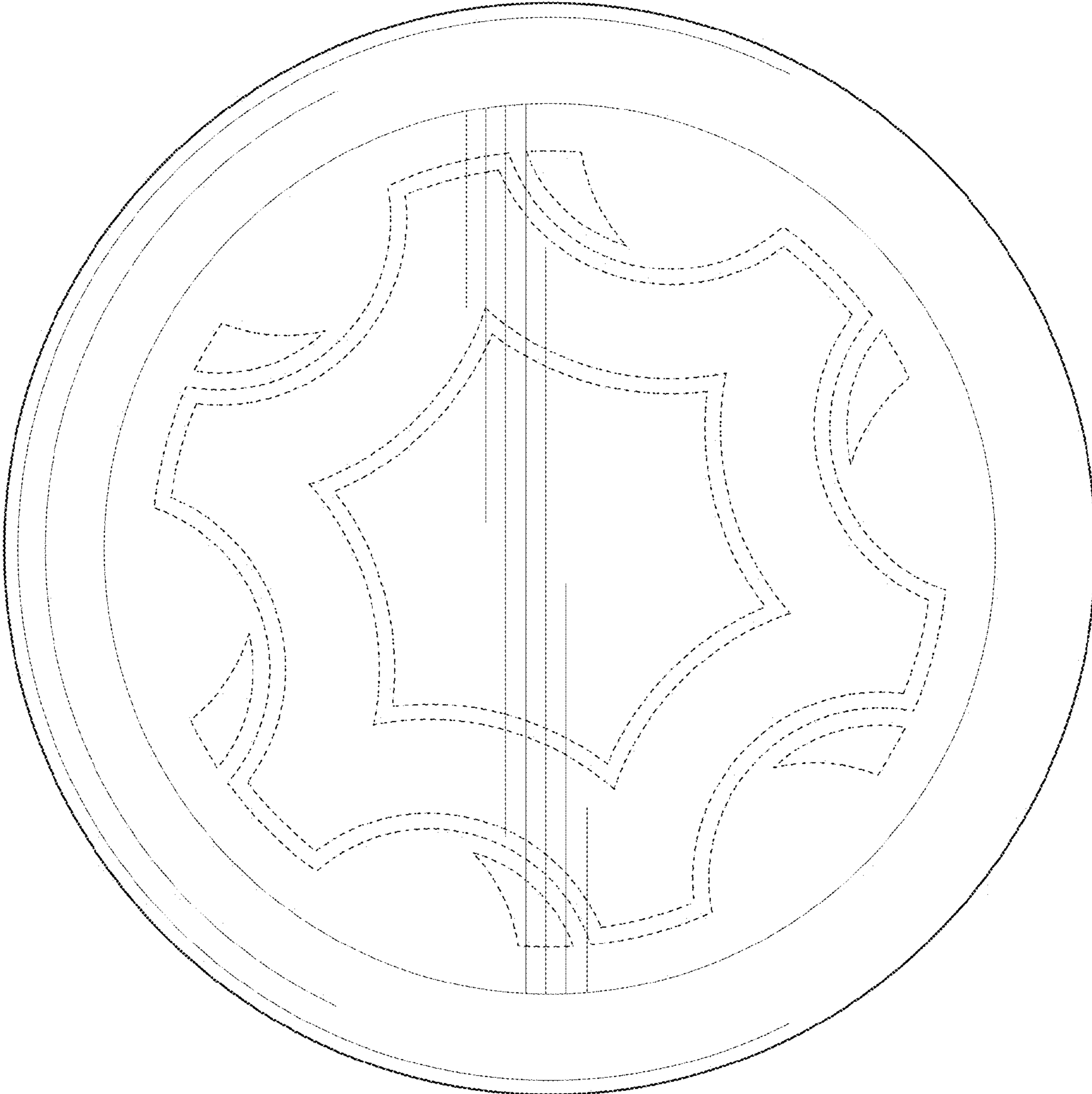


FIG. 5

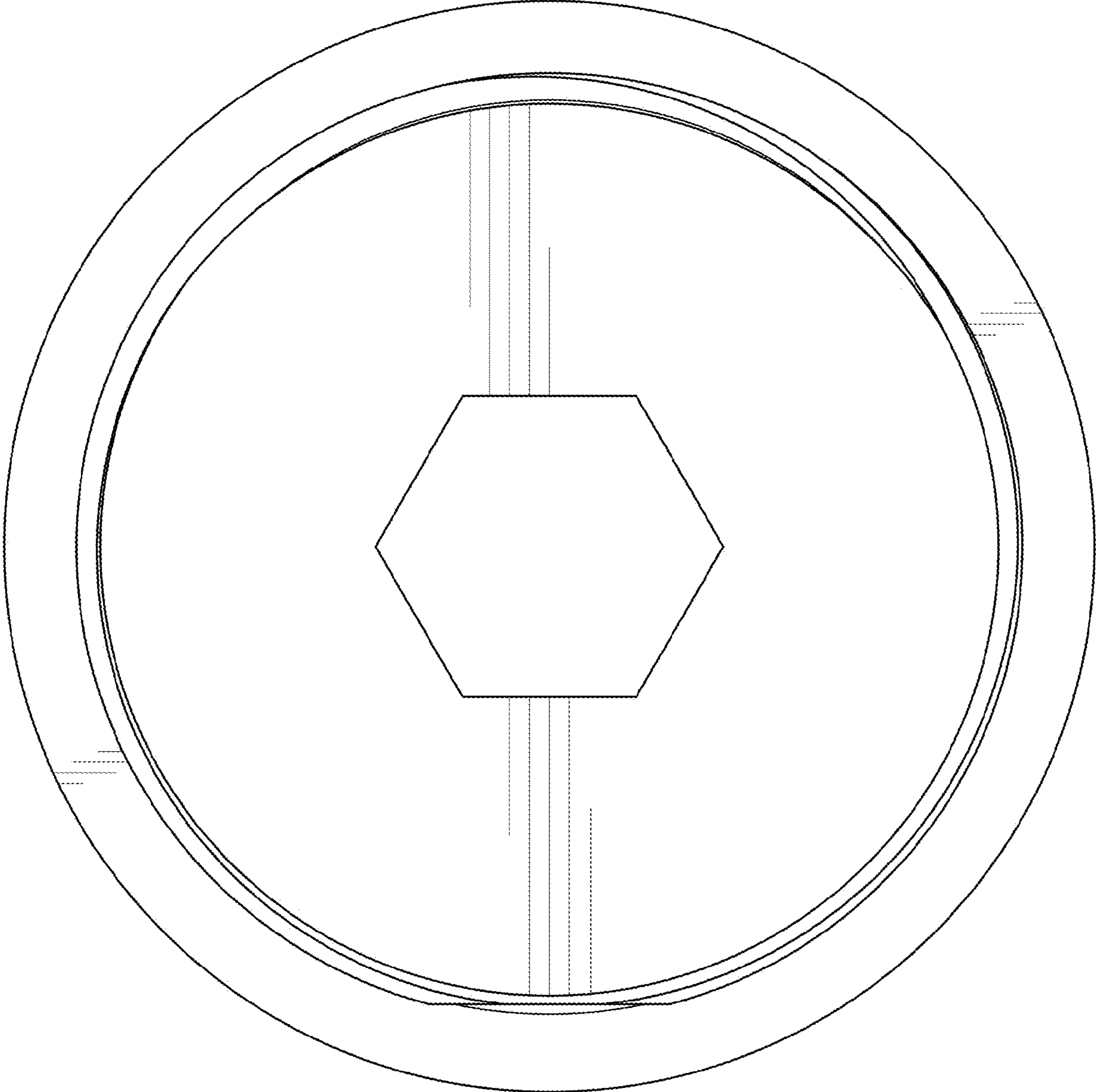


FIG. 6

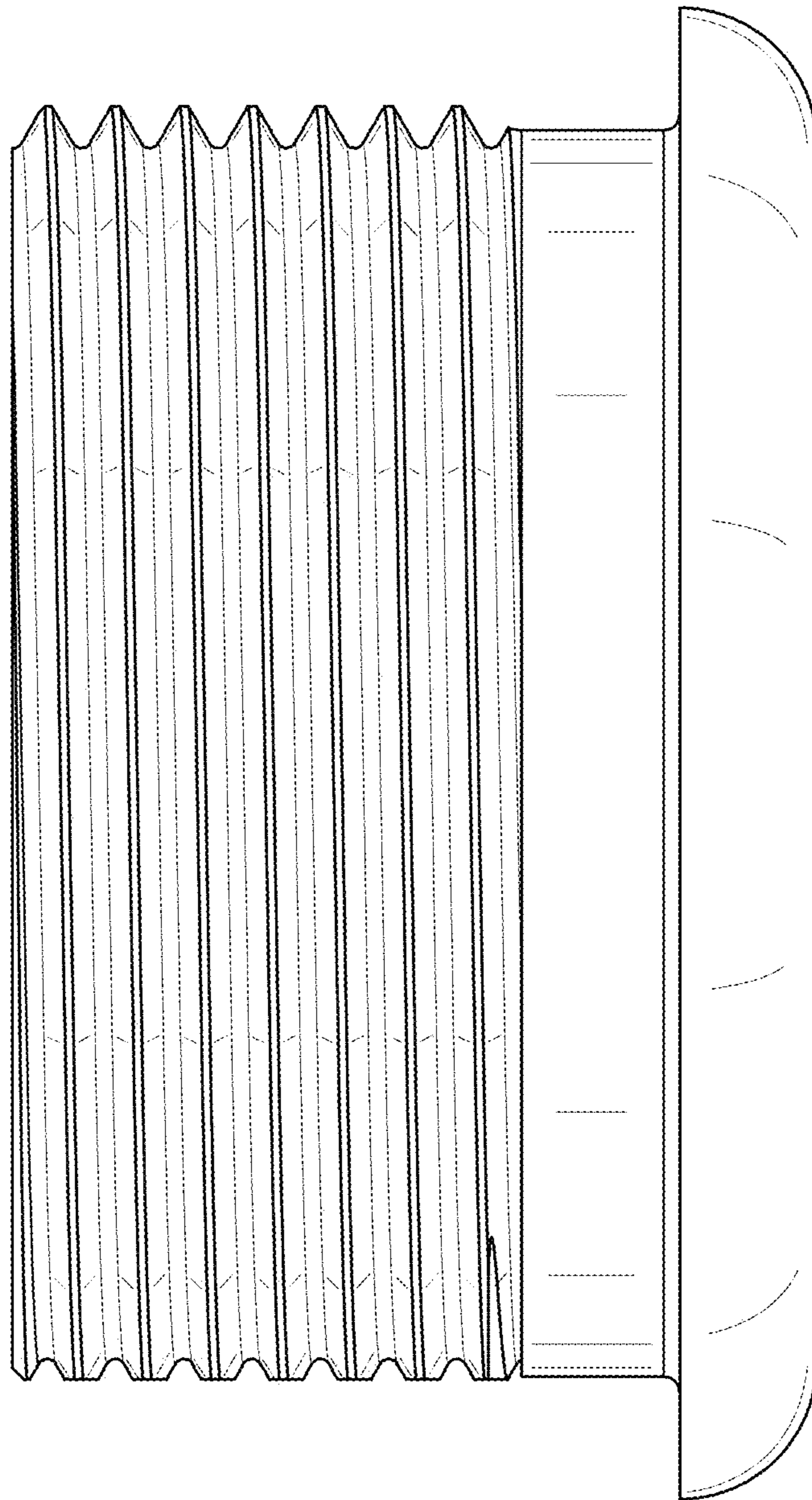


FIG. 7

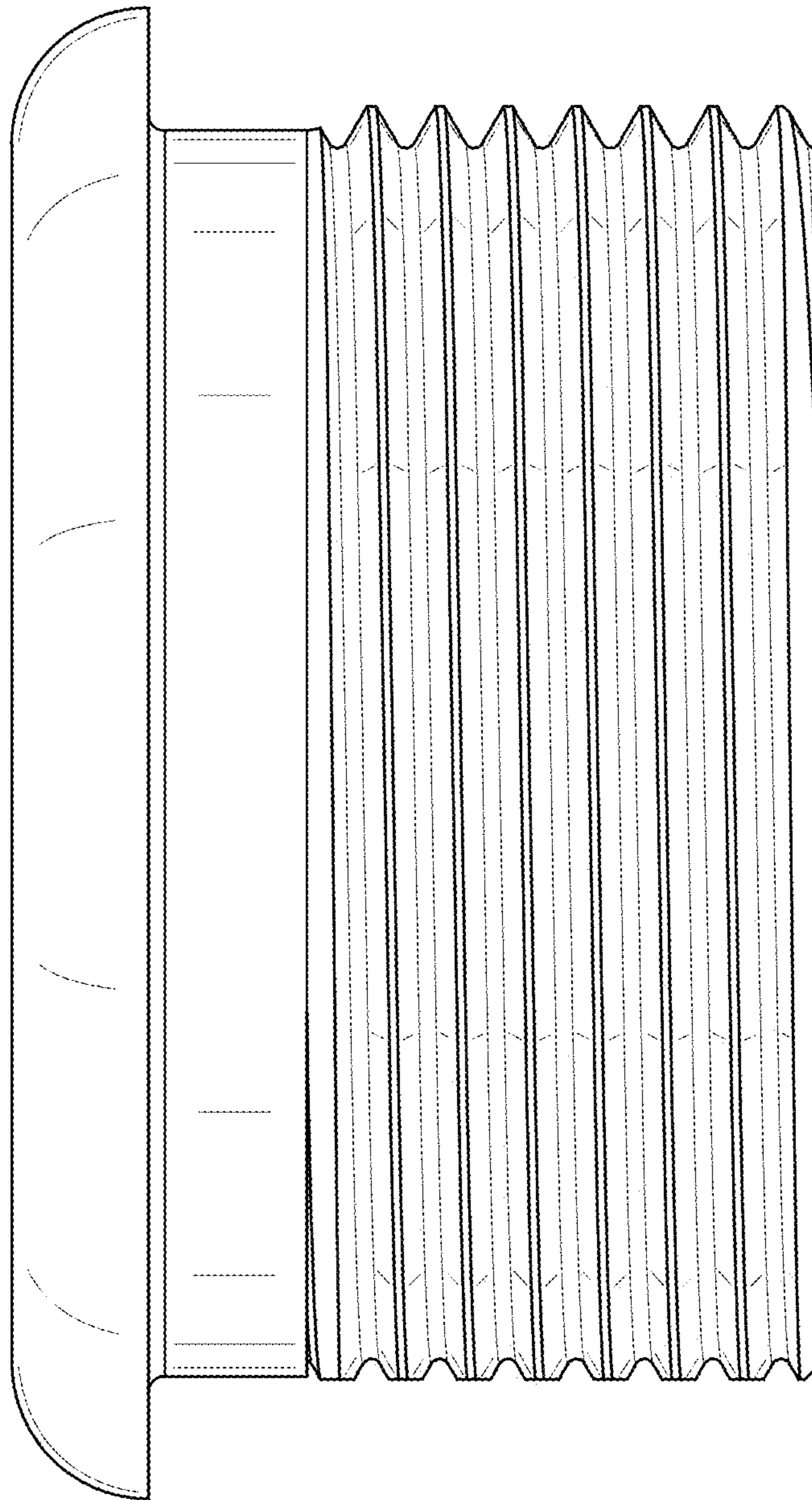


FIG. 8

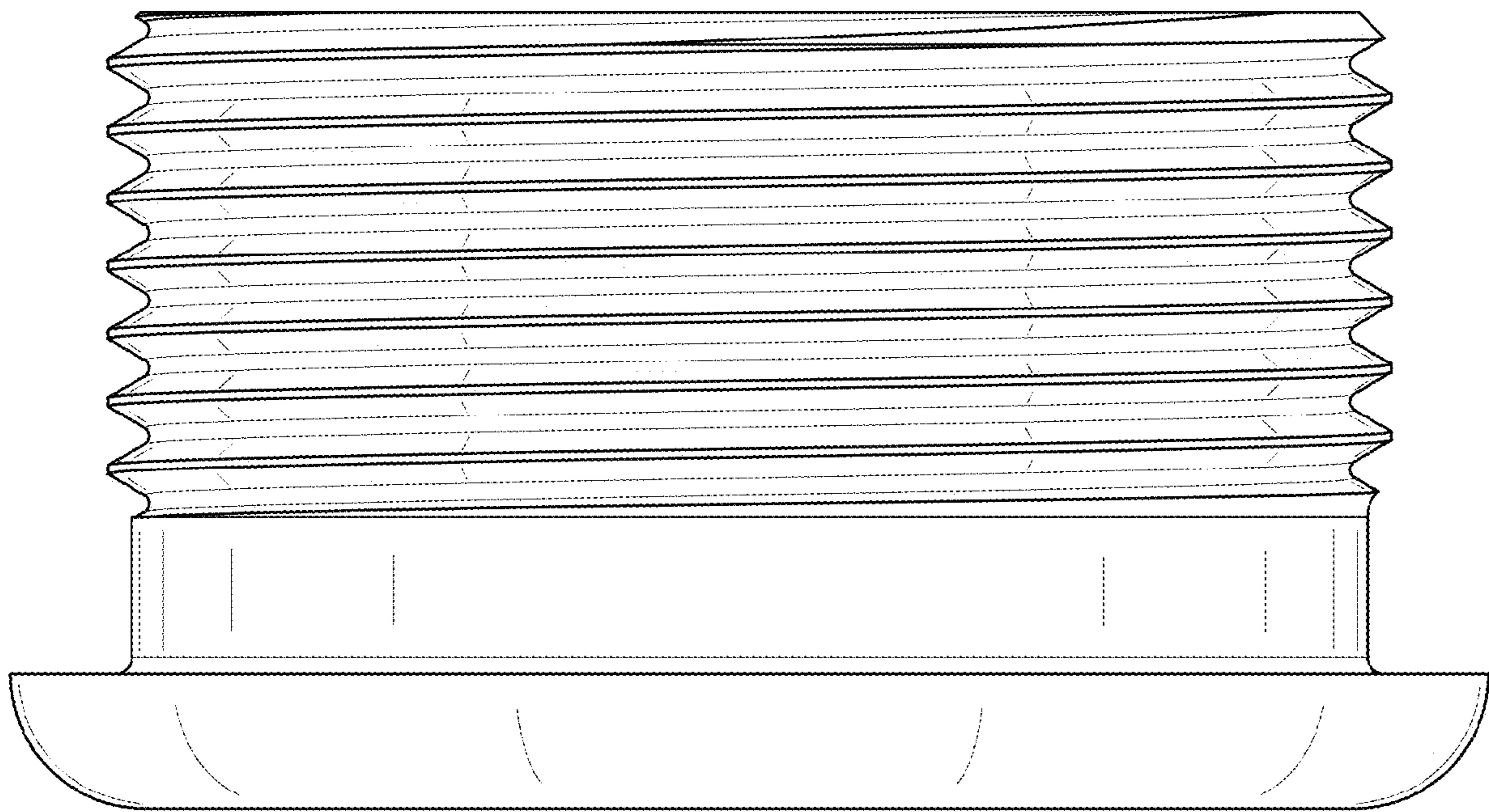


FIG. 9

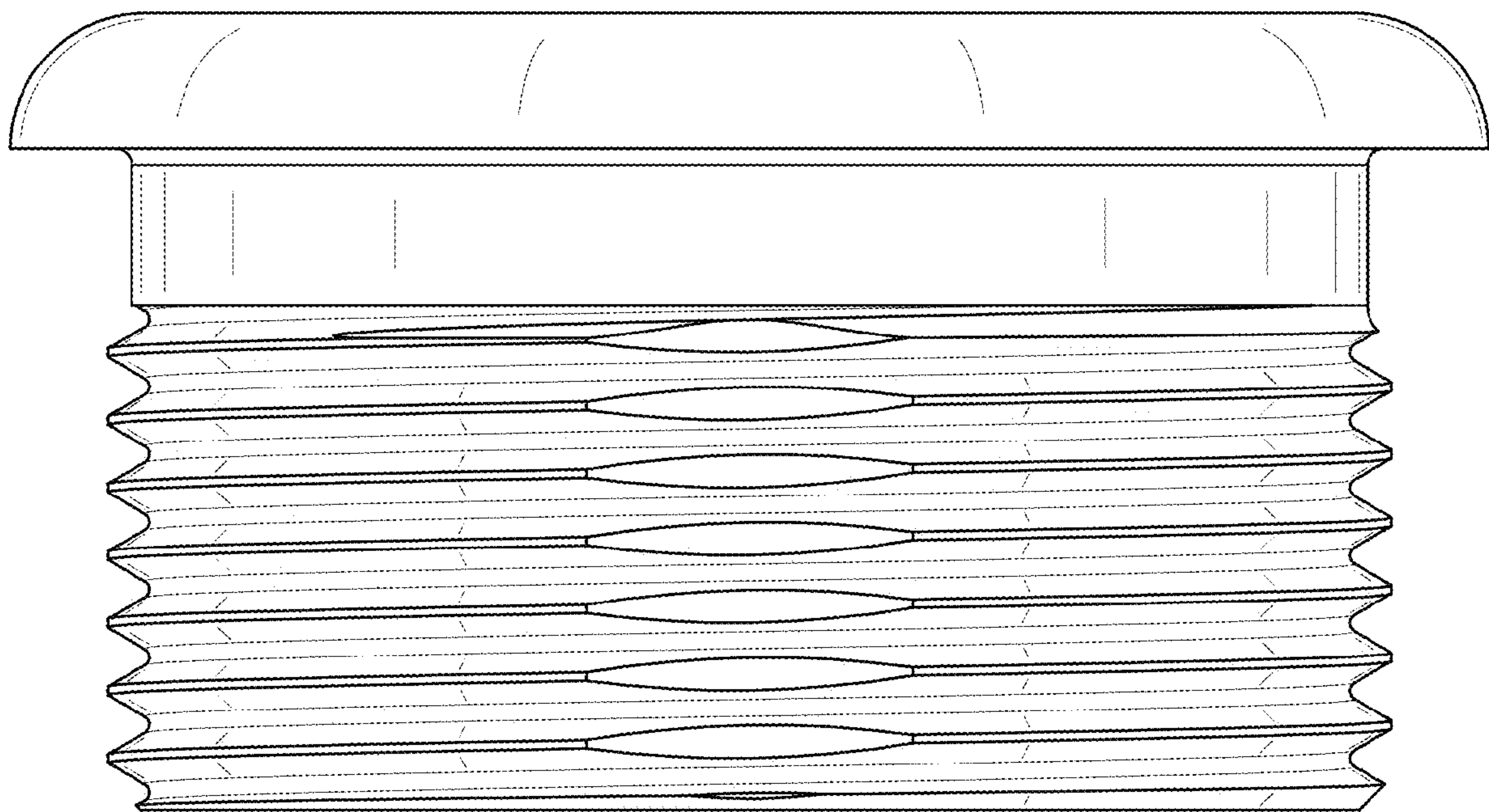


FIG. 10