



US00D987763S

(12) **United States Design Patent**  
**Overstreet et al.**

(10) **Patent No.: US D987,763 S**

(45) **Date of Patent: \*\* May 30, 2023**

- (54) **MAGAZINE FOR FIREARM**
- (71) Applicant: **22 Evolution LLC**, Boonville, MO (US)
- (72) Inventors: **John L. Overstreet**, Fayette, MO (US); **Jordan Maddox Wilson**, Blue Springs, MO (US); **Derrick Lee Roll**, Columbia, MO (US)
- (73) Assignee: **22 EVOLUTION LLC**, Columbia, MO (US)
- (\*\*) Term: **15 Years**
- (21) Appl. No.: **29/782,546**
- (22) Filed: **May 7, 2021**
- (51) **LOC (14) Cl.** ..... **22-01**
- (52) **U.S. Cl.**  
USPC ..... **D22/108; D21/302; D21/567; D21/573; D22/109; D22/199**
- (58) **Field of Classification Search**  
USPC ..... **D21/302, 567, 573; D22/108, 109, 199**  
CPC ..... **F41A 9/65; F41A 9/70; F41A 9/71; F41A 9/72; F41A 9/61**  
See application file for complete search history.

- 4,391,055 A \* 7/1983 Kadim ..... F41A 9/65 42/50
- 4,484,403 A \* 11/1984 Schwaller ..... F41A 9/68 42/50
- 4,586,281 A \* 5/1986 Chesnut ..... F41A 9/65 42/50

(Continued)

**OTHER PUBLICATIONS**

CMMG, Online Product Page, AR15, 4.6x30mm. Earliest Publication Date: Nov. 28, 2021. Date Accessed: Jan. 6, 2021. Accessed on the Internet URL: <https://web.archive.org/web/20211128154148/https://cmmg.com/magazine-ar15-4-6x30mm-40rd> (Year: 2021).\*

*Primary Examiner* — S. Bryan Reinholdt, Jr.

*Assistant Examiner* — Kaitlan N. Oliver

(74) *Attorney, Agent, or Firm* — Dinsmore & Shohl LLP

(57) **CLAIM**

The ornamental design for a magazine for firearm, as shown and described.

**DESCRIPTION**

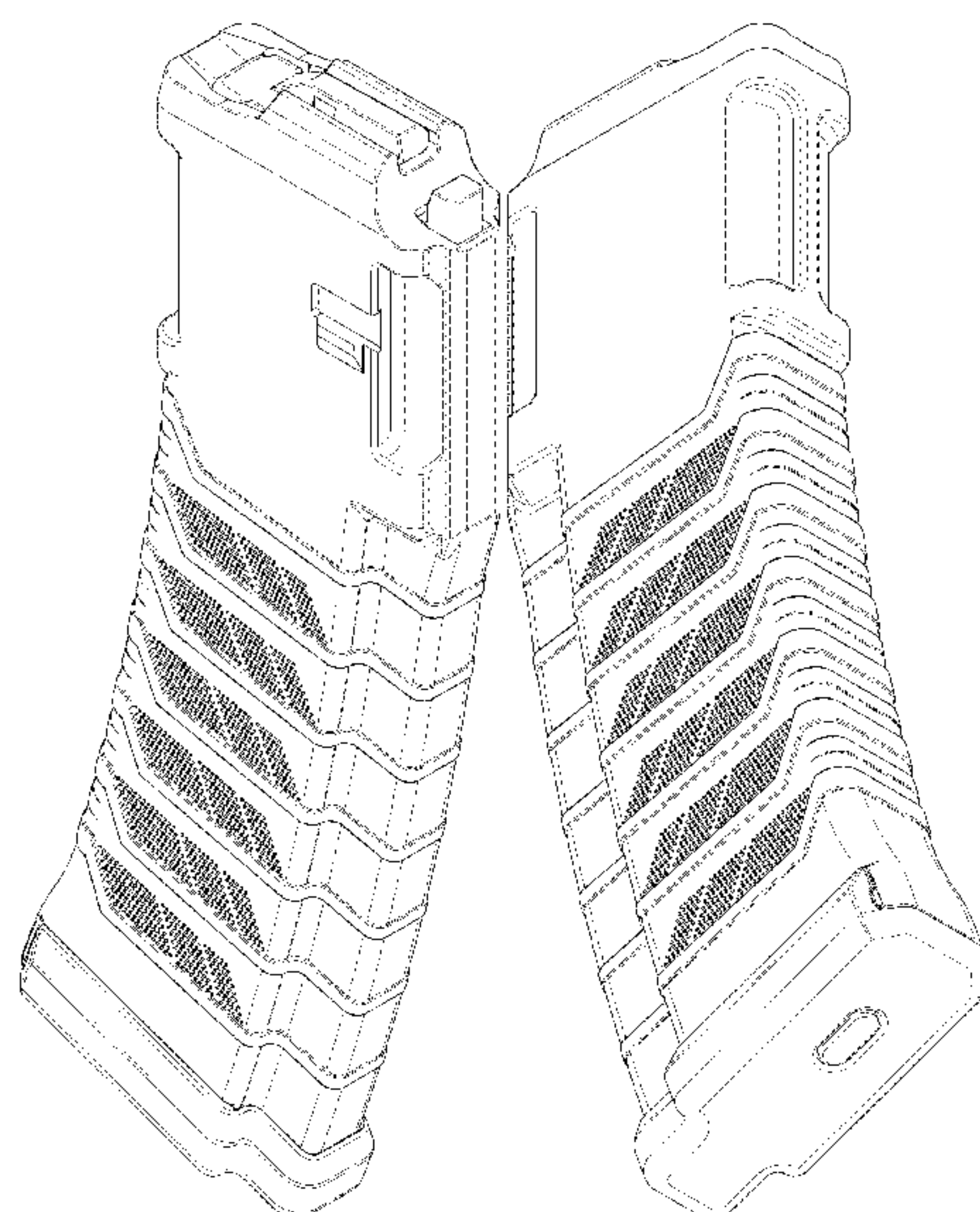
FIG. 1 is a top, front, right perspective view of a magazine for firearm of the present design;  
FIG. 2 is a rear, bottom, left perspective view of the design shown in FIG. 1;  
FIG. 3 is a front plan view of the design shown in FIG. 1;  
FIG. 4 is a rear plan view of the design shown in FIG. 1;  
FIG. 5 is a left side plan view of the design shown in FIG. 1;  
FIG. 6 is a right side plan view of the design shown in FIG. 1;  
FIG. 7 is a top view of the design shown in FIG. 1; and,  
FIG. 8 is a bottom view of the design shown in FIG. 1.  
The broken lines in FIG. 7 depict portions of the magazine for firearm that form no part of the claimed design.

**1 Claim, 6 Drawing Sheets**

(56) **References Cited**

**U.S. PATENT DOCUMENTS**

- 1,323,063 A \* 11/1919 Johnson et al. .... F41A 9/65 42/50
- 1,331,155 A \* 2/1920 Johnson ..... F41A 9/65 42/50
- 3,087,270 A \* 4/1963 Stoner ..... F41A 9/70 42/50
- 3,726,038 A \* 4/1973 Bredbury ..... F41A 9/70 42/50
- 4,027,415 A \* 6/1977 Stoner ..... F41A 9/83 42/50
- 4,139,959 A \* 2/1979 Howard ..... F41A 9/70 42/50







(56)

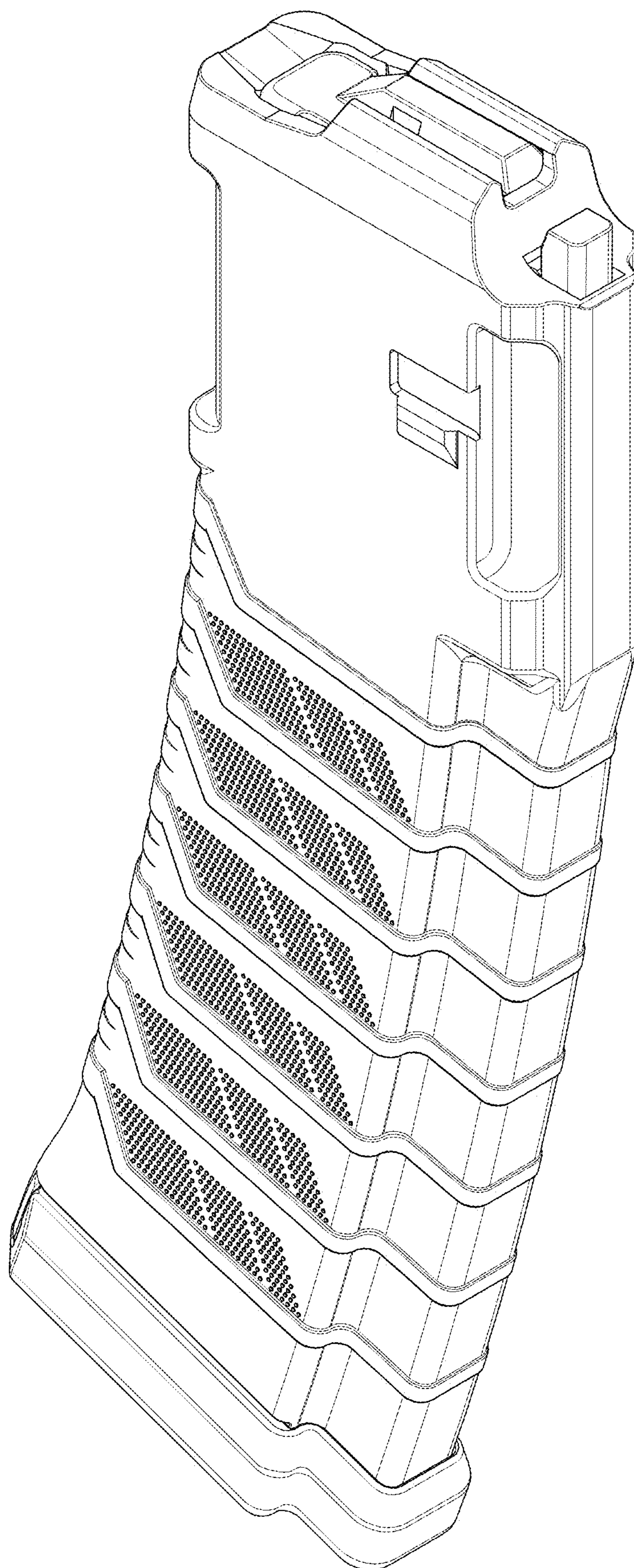
**References Cited**

## U.S. PATENT DOCUMENTS

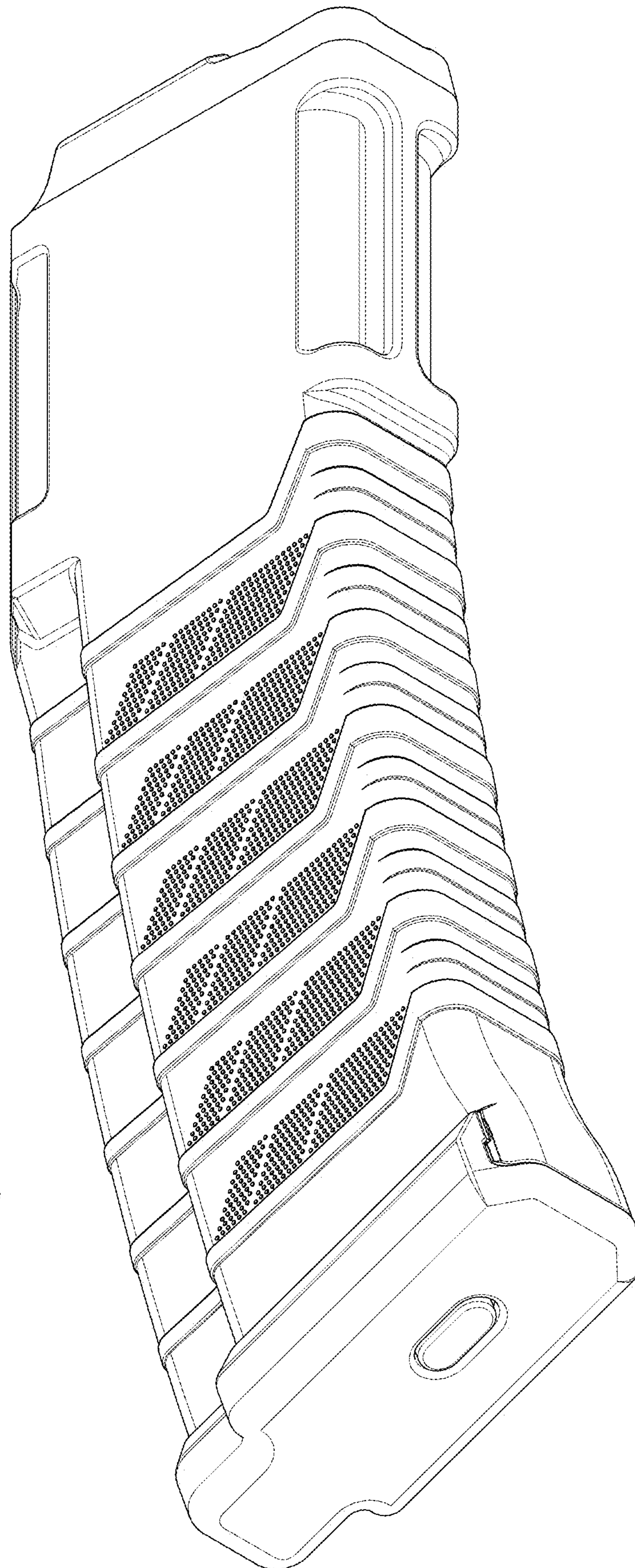
2016/0209140	A1 *	7/2016	Toth .....	F41A 9/65
2016/0282071	A1 *	9/2016	Vilardi .....	F41A 9/65
2017/0350666	A1 *	12/2017	Stamper .....	F41A 9/65
2018/0128570	A1 *	5/2018	Sawicki .....	F41A 17/44
2018/0202734	A1 *	7/2018	Dowling .....	F41A 9/71
2019/0154375	A1 *	5/2019	Simek .....	F41A 9/69
2019/0162495	A1 *	5/2019	Müller .....	F41A 9/65
2019/0195591	A1 *	6/2019	Keng .....	F41C 27/22
2019/0219348	A1 *	7/2019	Maga .....	F41A 17/38
2019/0310040	A1 *	10/2019	Ladner .....	F41A 9/71
2020/0096271	A1 *	3/2020	Vito .....	F41A 9/67
2020/0182572	A1 *	6/2020	Grougan .....	F41A 17/38
2020/0240728	A1 *	7/2020	Brooksby .....	F41A 17/34
2021/0010776	A1 *	1/2021	Underwood .....	F41A 33/00
2021/0116195	A1 *	4/2021	Philbin .....	F41A 9/70
2021/0325133	A1 *	10/2021	Kharalampiev .....	F41A 9/70
2021/0389068	A1 *	12/2021	Philbin .....	F41A 9/70
2022/0252365	A1 *	8/2022	Philbin .....	F41A 3/12
2022/0357121	A1 *	11/2022	Binder .....	F41A 9/71
2022/0364809	A1 *	11/2022	Overstreet .....	F41A 3/66

\* cited by examiner





**FIG. 1**



**FIG. 2**



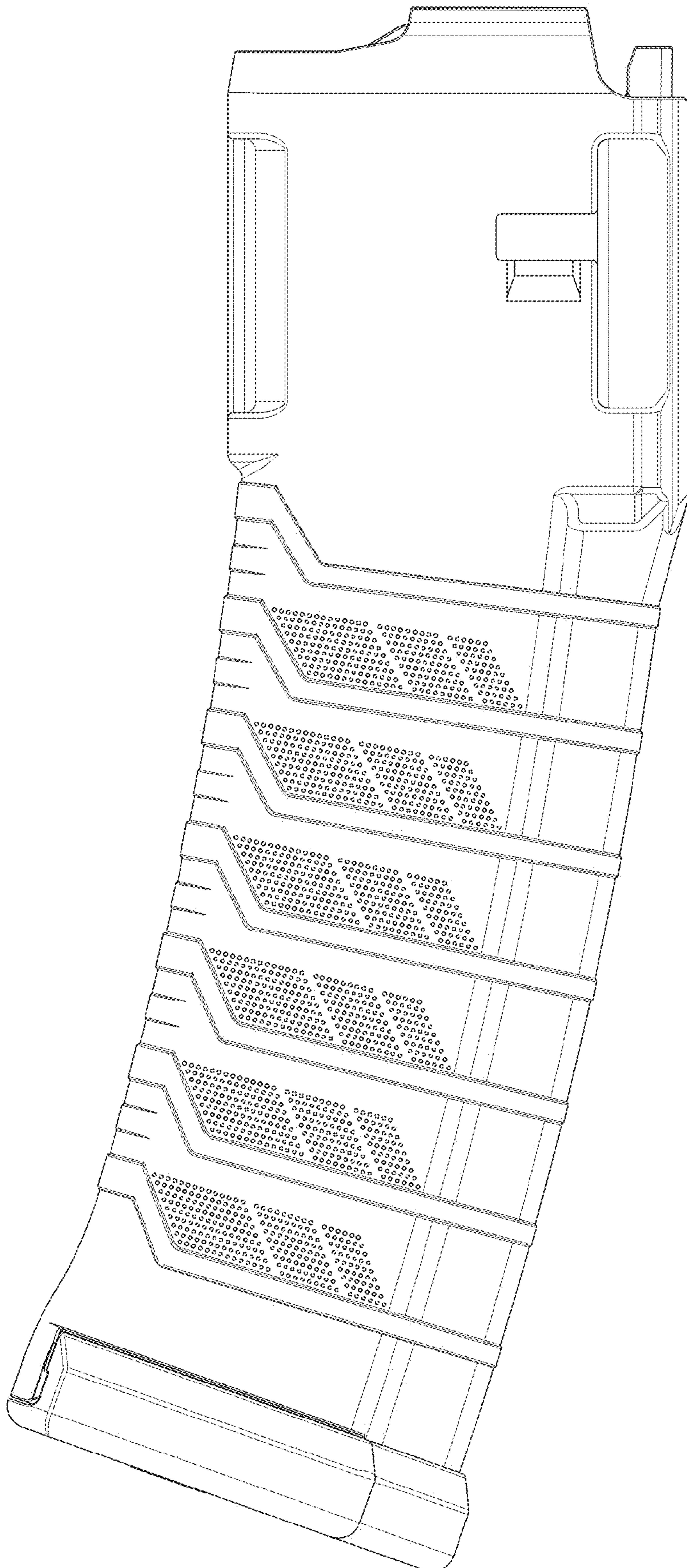
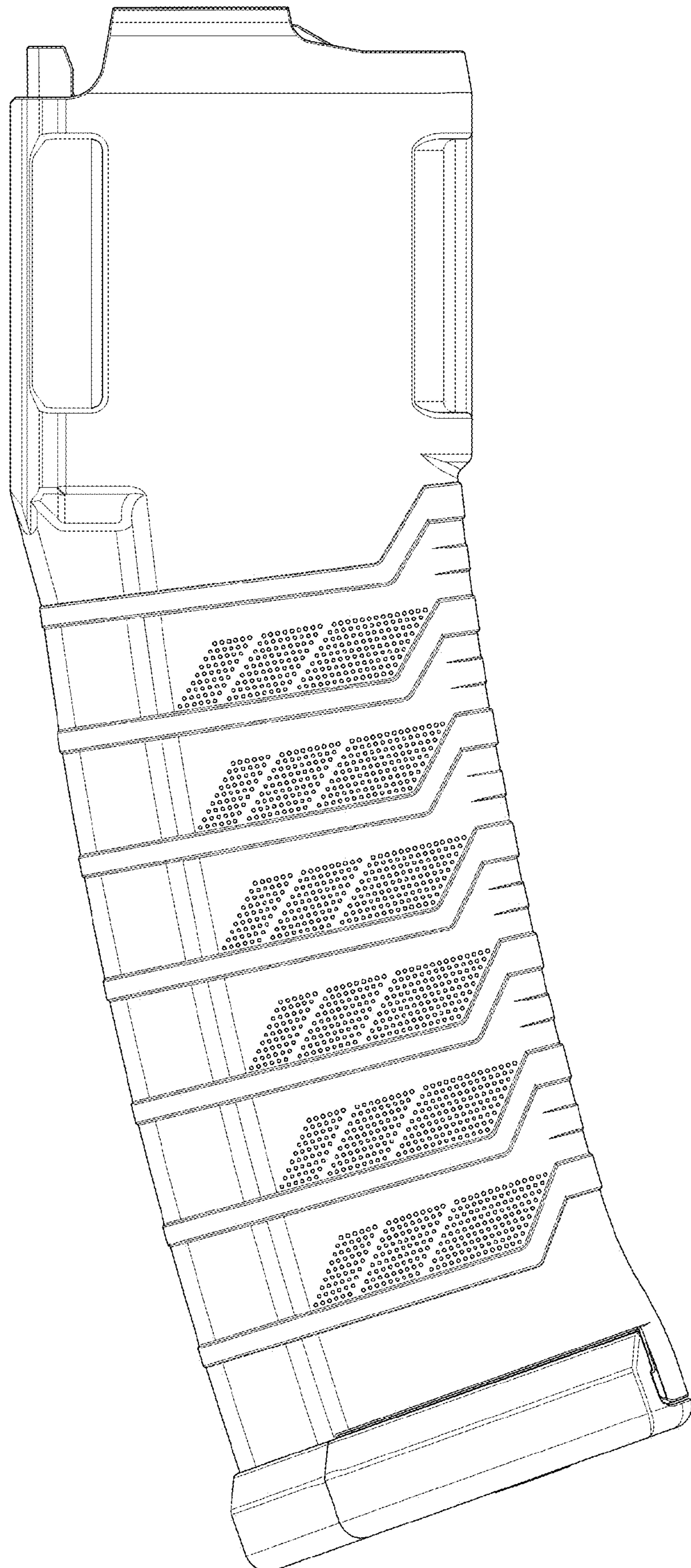
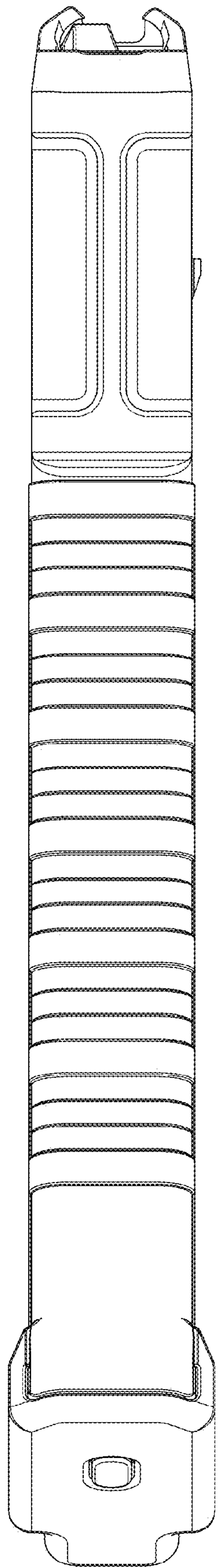


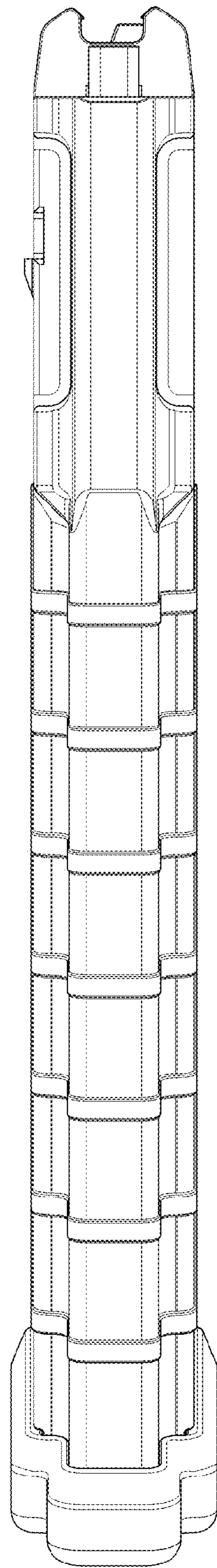
FIG. 3

FIG. 4



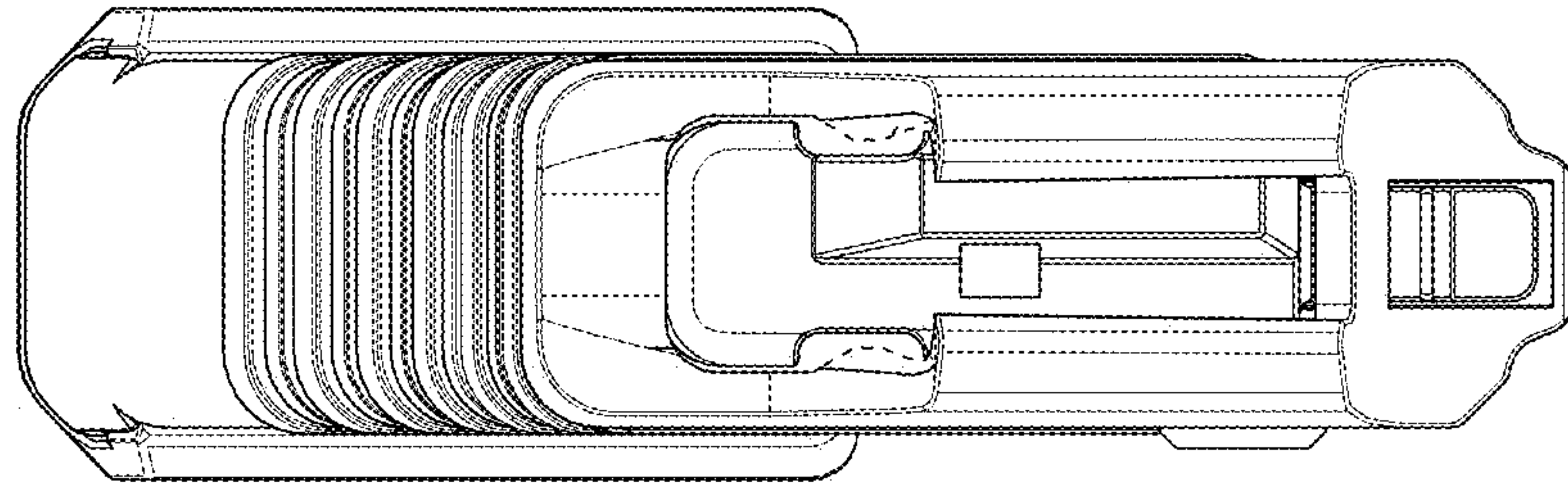


**FIG. 5**

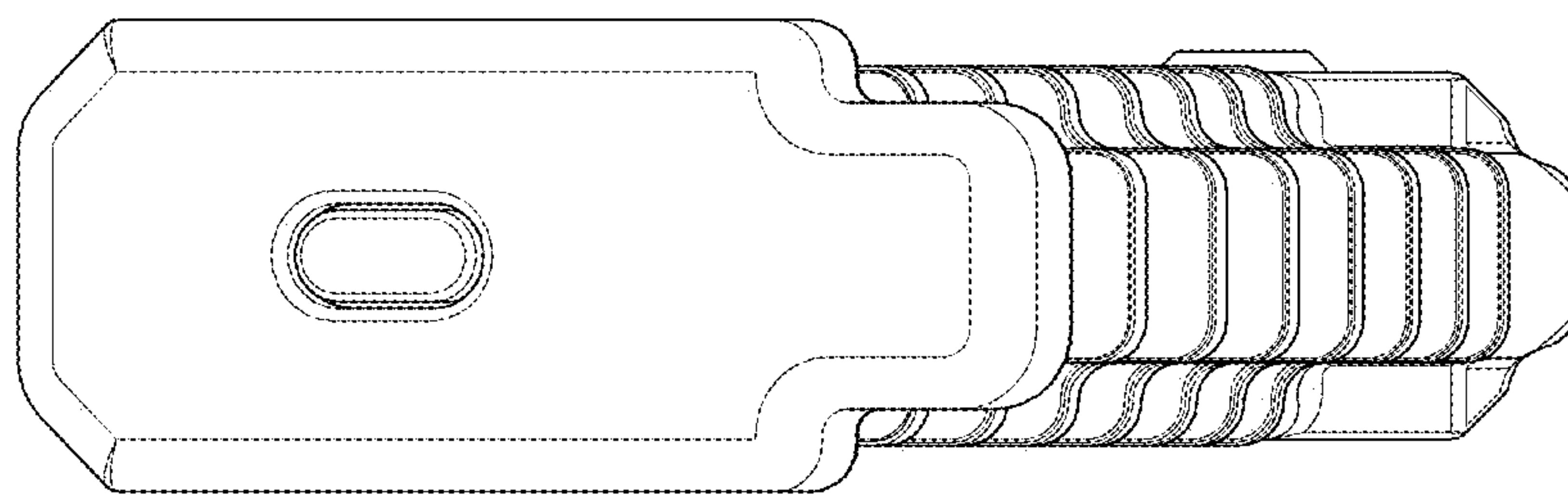


**FIG. 6**





**FIG. 7**



**FIG. 8**