



US00D987762S

(12) **United States Design Patent**  
**Roberson**

(10) **Patent No.:** **US D987,762 S**  
(45) **Date of Patent:** **\*\* May 30, 2023**

- (54) **OFFSET FLASHLIGHT MOUNT**
- (71) Applicant: **Arisaka LLC**, Apex, NC (US)
- (72) Inventor: **William Roberson**, Apex, NC (US)
- (73) Assignee: **Arisaka LLC**, Apex, NC (US)
- (\*\*) Term: **15 Years**
- (21) Appl. No.: **29/780,008**
- (22) Filed: **Apr. 22, 2021**
- (51) **LOC (14) Cl.** ..... **22-01**
- (52) **U.S. Cl.**  
USPC ..... **D22/108**
- (58) **Field of Classification Search**  
USPC ..... D22/108, 109, 110, 199, 104; D26/26,  
D26/38, 51, 60, 113; D8/381; D15/139  
CPC ..... F41A 99/00; F41A 27/00  
See application file for complete search history.

D820,938 S 6/2018 Pittman  
D901,754 S 11/2020 Roys et al.  
D903,188 S \* 11/2020 Kruger ..... D26/138  
(Continued)

**OTHER PUBLICATIONS**

Arisaka Offset Scout Mount KeyMod. By Arisaka. Dated Feb. 3, 2015. Found online [Jun. 21, 2021]. <https://arisakadefense.com/offset-scout-mount-keymod/> (Year: 2015).  
(Continued)

*Primary Examiner* — S. Bryan Reinholdt, Jr.  
*Assistant Examiner* — Kaitlan Walker  
(74) *Attorney, Agent, or Firm* — Asgaard Patent Services, LLC; F. Wayne Thompson, Jr.

(57) **CLAIM**

The ornamental design for an offset flashlight mount, as shown and described.

**DESCRIPTION**

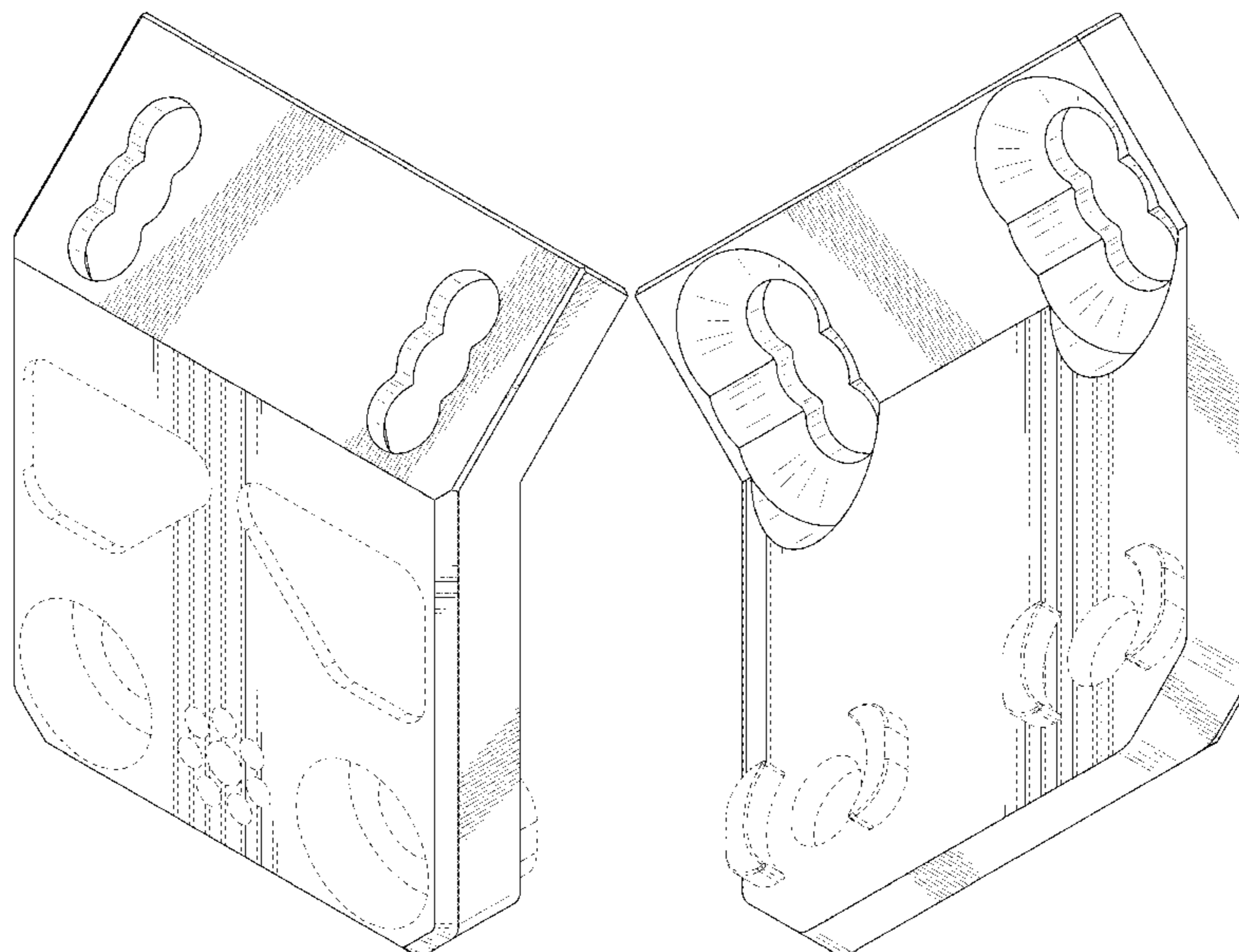
FIG. 1 is a top isometric view of an offset flashlight mount; FIG. 2 is a bottom isometric view of the offset flashlight mount shown in FIG. 1; FIG. 3 is a front elevational view of the offset flashlight mount shown in FIG. 1; FIG. 4 is a right side elevational view of the offset flashlight mount shown in FIG. 1; FIG. 5 is a left side elevational view of the offset flashlight mount shown in FIG. 1; FIG. 6 is a rear elevational view of the offset flashlight mount shown in FIG. 1; FIG. 7 is a top plan view of the offset flashlight mount shown in FIG. 1; and, FIG. 8 is a bottom plan view of the offset flashlight mount shown in FIG. 1.  
The broken lines and the areas within them represent portions of the offset flashlight mount that form no part of the claimed design.

(56) **References Cited**

**U.S. PATENT DOCUMENTS**

D371,416 S *	7/1996	Bliss	.....	D22/199
D414,835 S *	10/1999	Ottoman	.....	D22/100
D584,789 S *	1/2009	Swan	.....	D22/108
D609,770 S *	2/2010	Mulfinger	.....	D22/110
D659,220 S *	5/2012	Foltz	.....	D22/108
D697,666 S	1/2014	Grote, Jr. et al.		
D718,833 S *	12/2014	Huang	.....	D22/108
D724,687 S	3/2015	Pittman		
9,039,228 B1	5/2015	McCorkle		
D734,827 S *	7/2015	Pearson	.....	D22/108
D747,780 S *	1/2016	Swan	.....	D22/110
D765,157 S *	8/2016	Matsumoto	.....	D15/138
D766,495 S *	9/2016	Eitan	.....	D26/113
D804,285 S	12/2017	Rock et al.		
D804,286 S	12/2017	Rock et al.		
D806,199 S *	12/2017	Roberson	.....	D22/108
D813,973 S *	3/2018	McKillips	.....	D22/109

**1 Claim, 6 Drawing Sheets**



(56)

**References Cited**

## U.S. PATENT DOCUMENTS

D908,275 S \* 1/2021 Galli ..... D26/138  
D913,345 S \* 3/2021 Wachsmann ..... D15/135  
D913,346 S \* 3/2021 Wachsmann ..... D15/135  
11,067,365 B2 \* 7/2021 Roberson ..... F41G 1/16  
D943,139 S \* 2/2022 Roberson ..... D26/138  
D949,278 S \* 4/2022 Roberson ..... D22/109  
D949,279 S \* 4/2022 Roberson ..... D22/109  
D952,787 S \* 5/2022 Pittman ..... D22/109  
11,385,026 B2 \* 7/2022 Roberson ..... F41G 11/001  
2005/0254238 A1 11/2005 Parker et al.  
2010/0157581 A1 6/2010 Galli  
2016/0320160 A1 \* 11/2016 Zimmer ..... F41G 1/02  
2021/0055078 A1 \* 2/2021 Roberson ..... F41G 1/16  
2021/0262766 A1 \* 8/2021 Roberson ..... F41G 11/001  
2022/0333899 A1 \* 10/2022 Roberson ..... F41G 11/001

## OTHER PUBLICATIONS

Best Weapons Light Mount . . . By KB32 Tactical. Dated Aug. 15, 2018. Found online [Jun. 21, 2021]. [https://www.youtube.com/watch?v=3\\_m1u4adMSg](https://www.youtube.com/watch?v=3_m1u4adMSg) (Year: 2018).

William Roberson, Arisaka Releases New Offset Scout Mount [online], Arisaka, [dated Feb. 3, 2015], [Retrieved on Jan. 28, 2020], Retrieved from the Internet <URL: <https://arisakadefense.com/blogs/news/18726107-arisaka-releases-new-offset-scout-mount>>.

William Roberson, Arisaka Releases Offset Scout Mounts for Centurion ARMS CMR and M-LOK Handguards [online], Arisaka, [dated Apr. 30, 2015], [Retrieved on Jan. 28, 2020], Retrieved from the Internet <URL: <https://arisakadefense.com/blogs/news/19543299-arisaka-releases-offset-scout-mounts-for-centurion-arms-cmr-and-m-lok-handguards>>.

\* cited by examiner

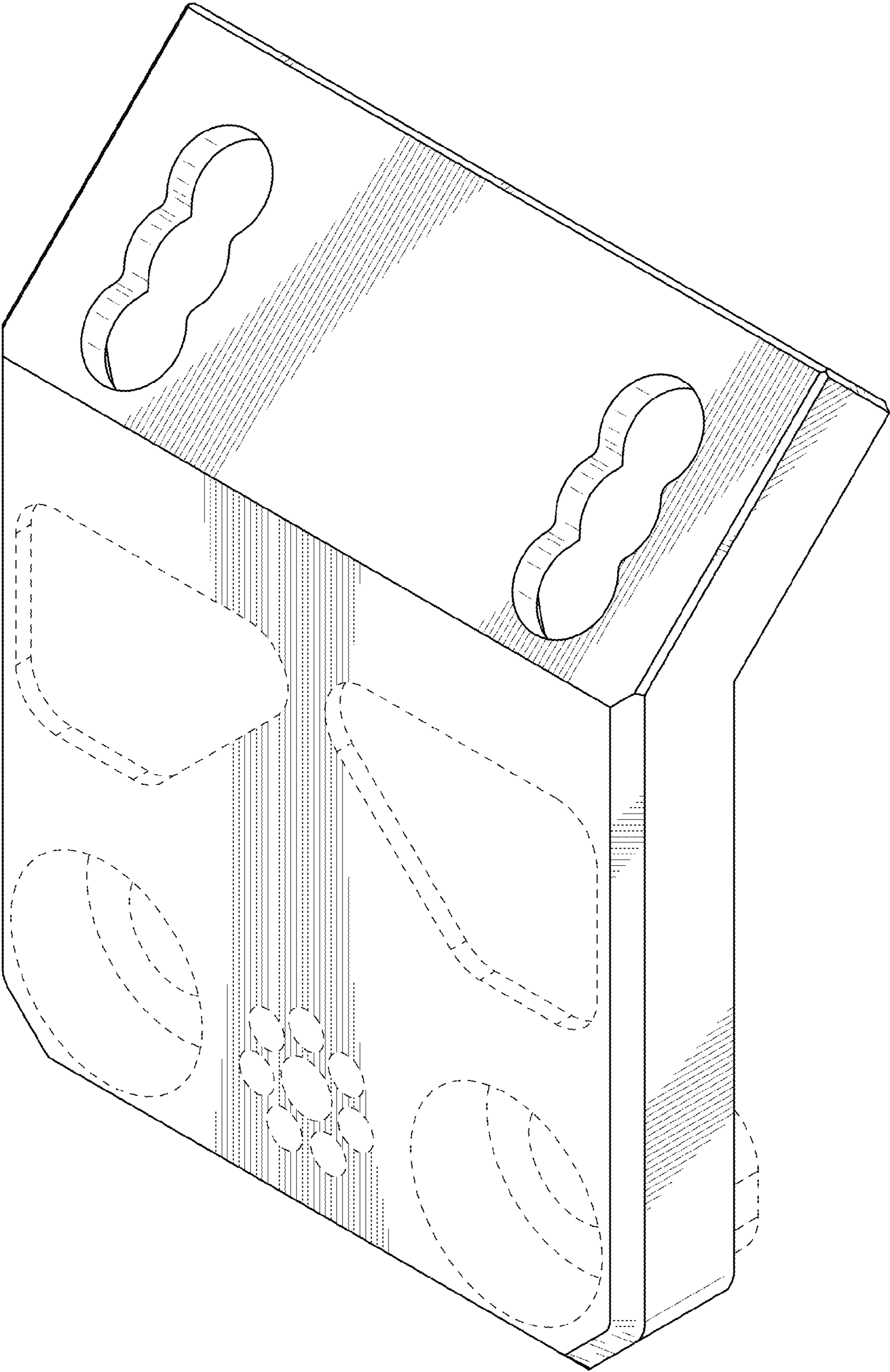


FIG. 1

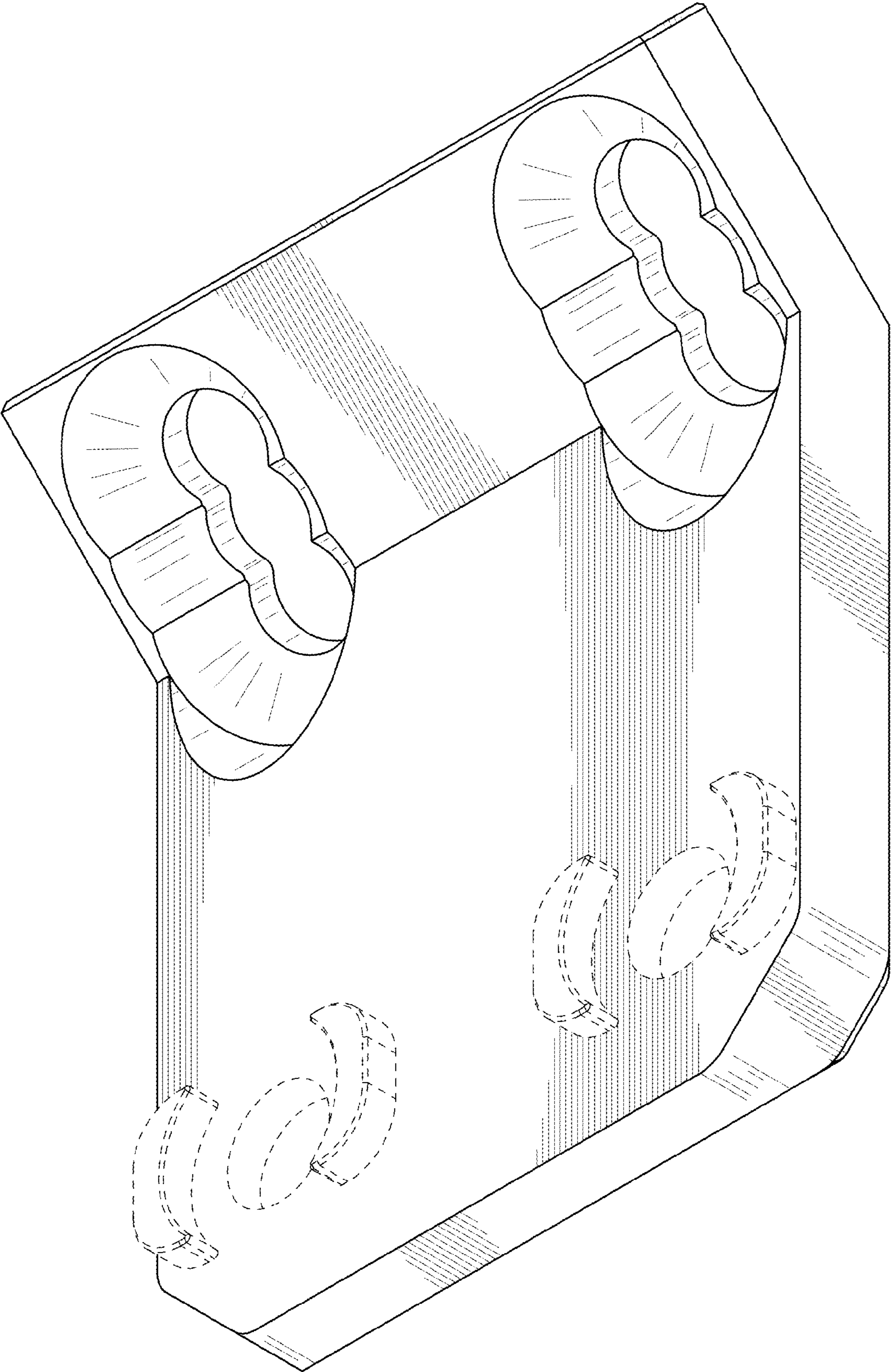


FIG. 2

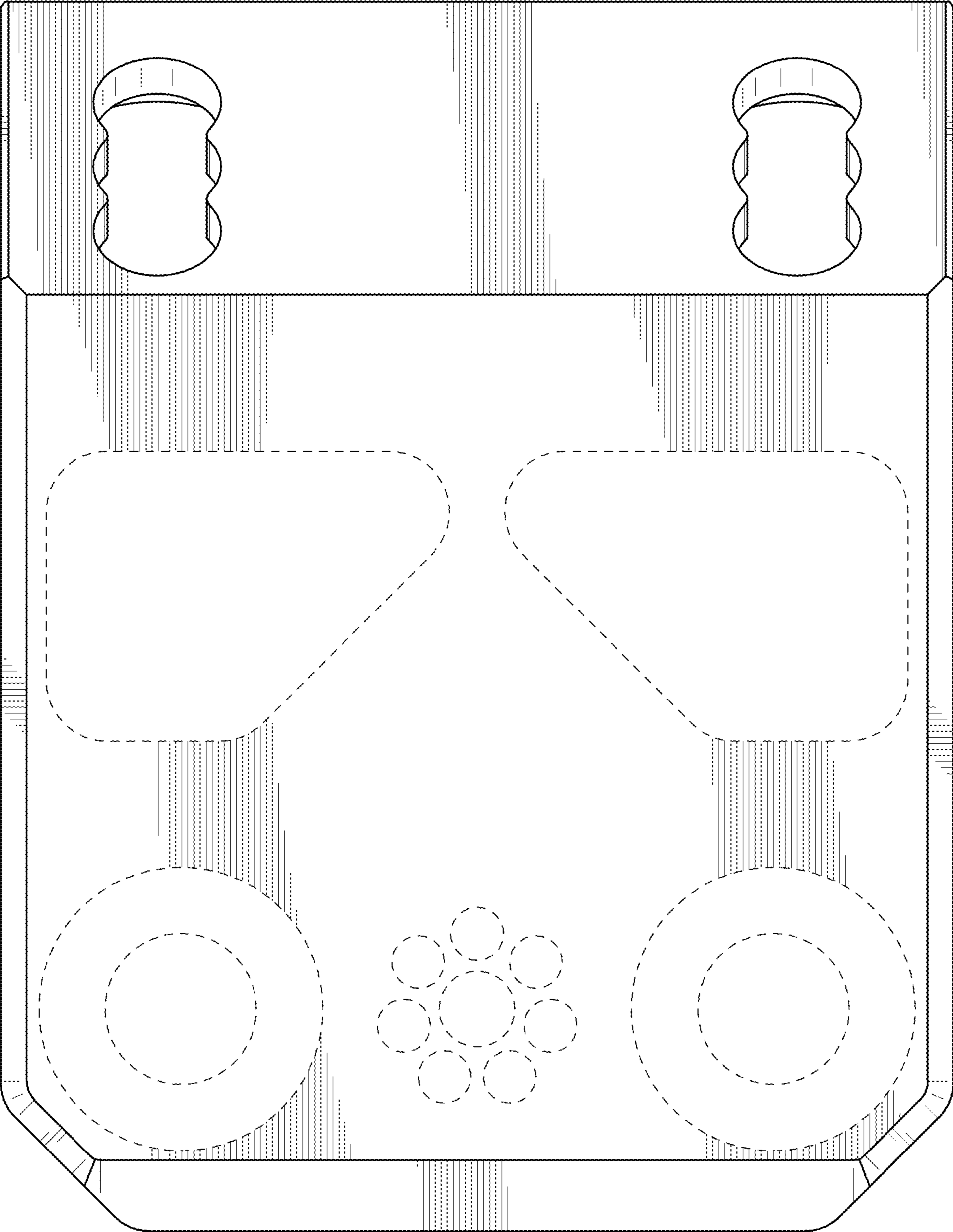


FIG. 3

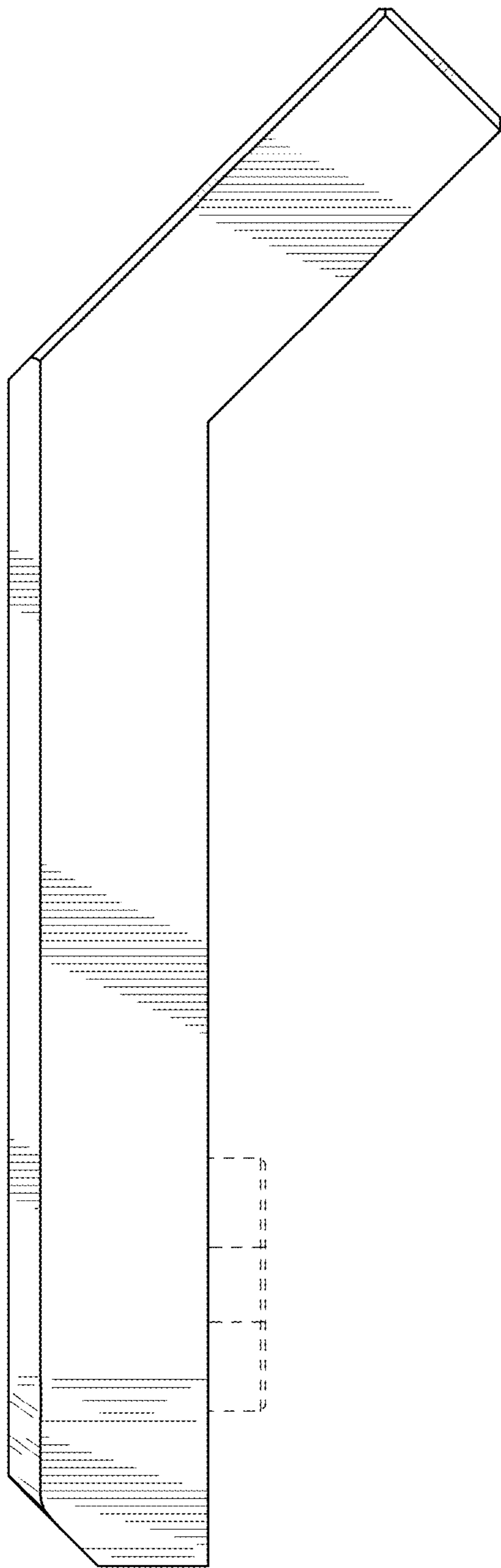


FIG. 4

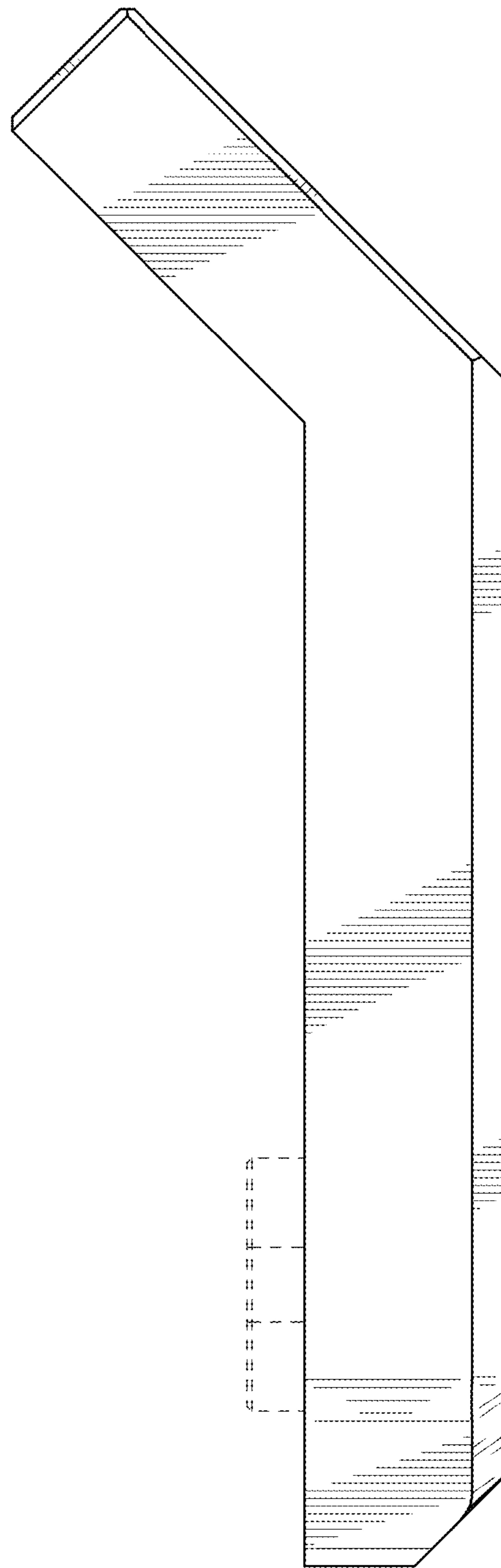


FIG. 5

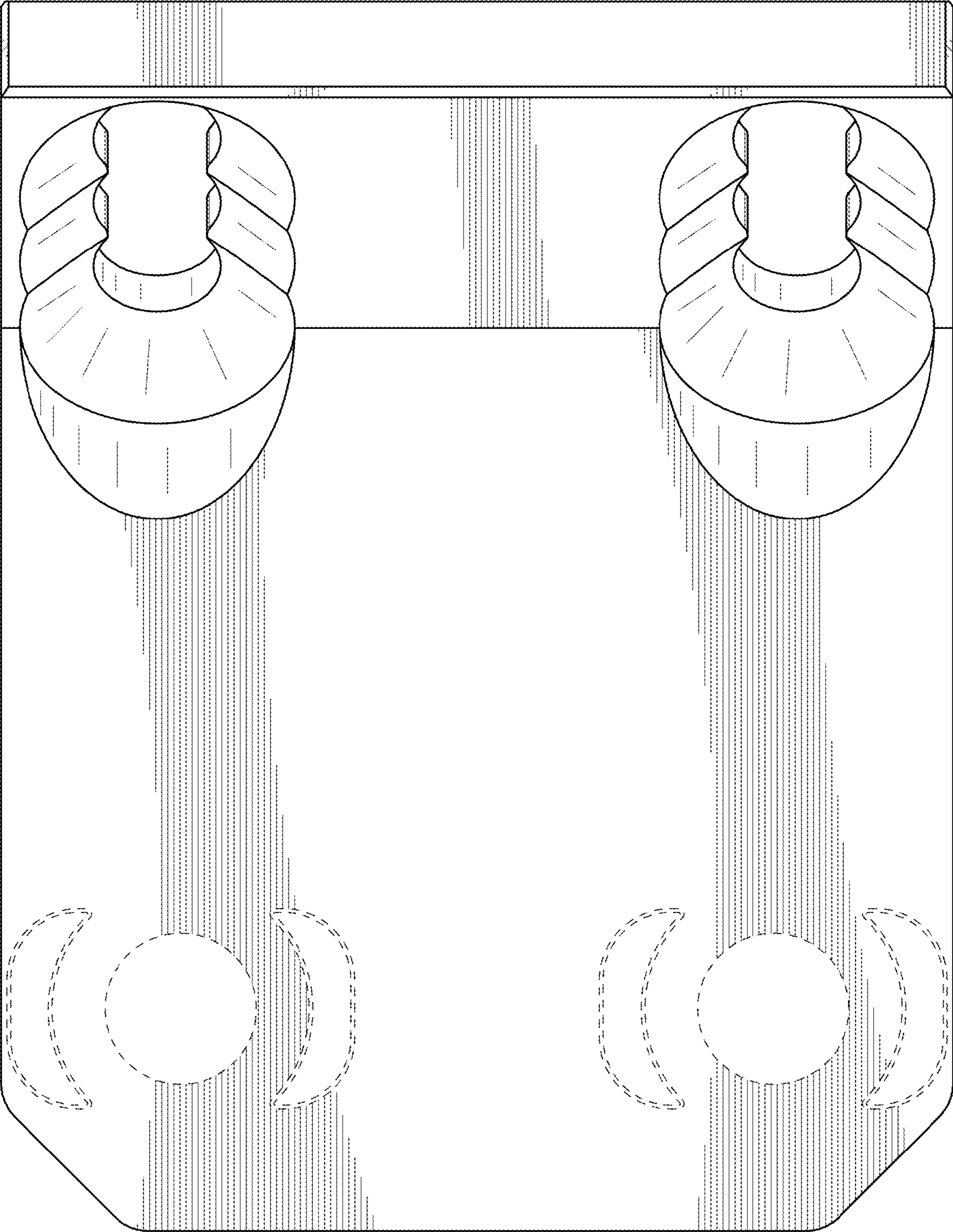


FIG. 6

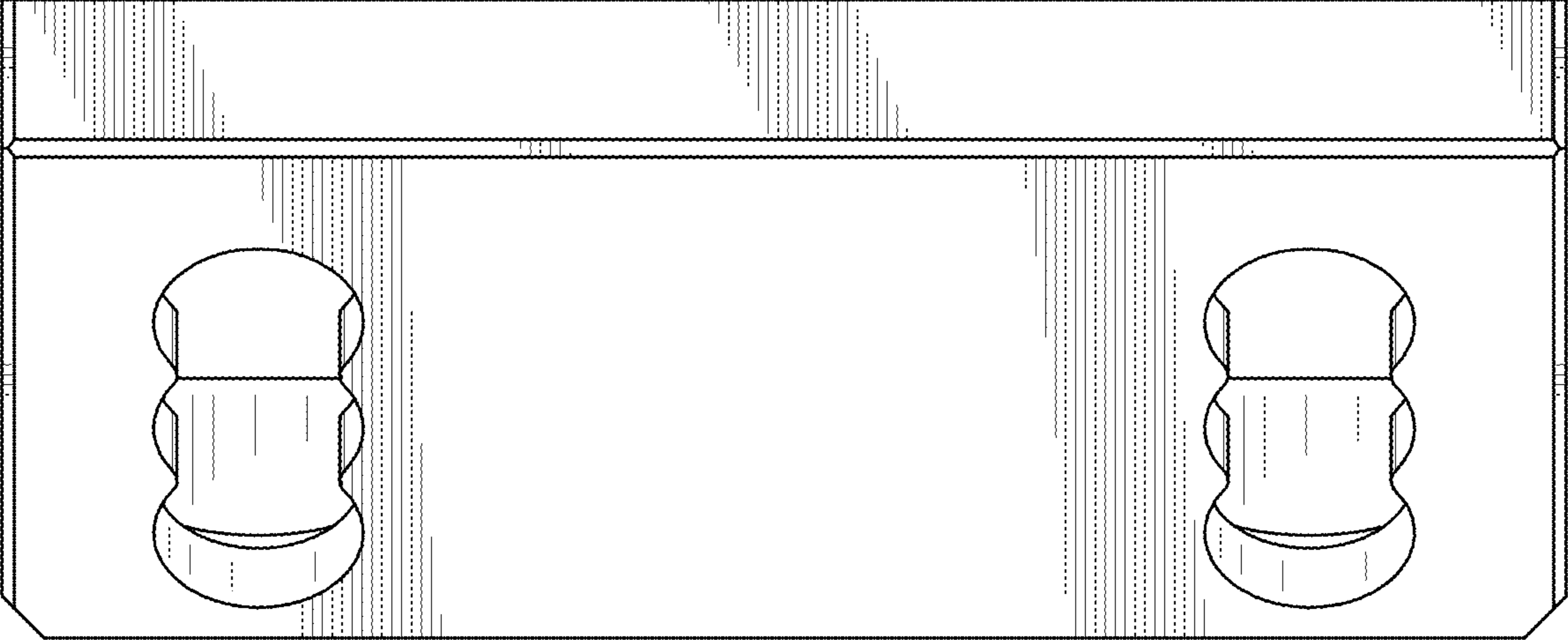


FIG. 7

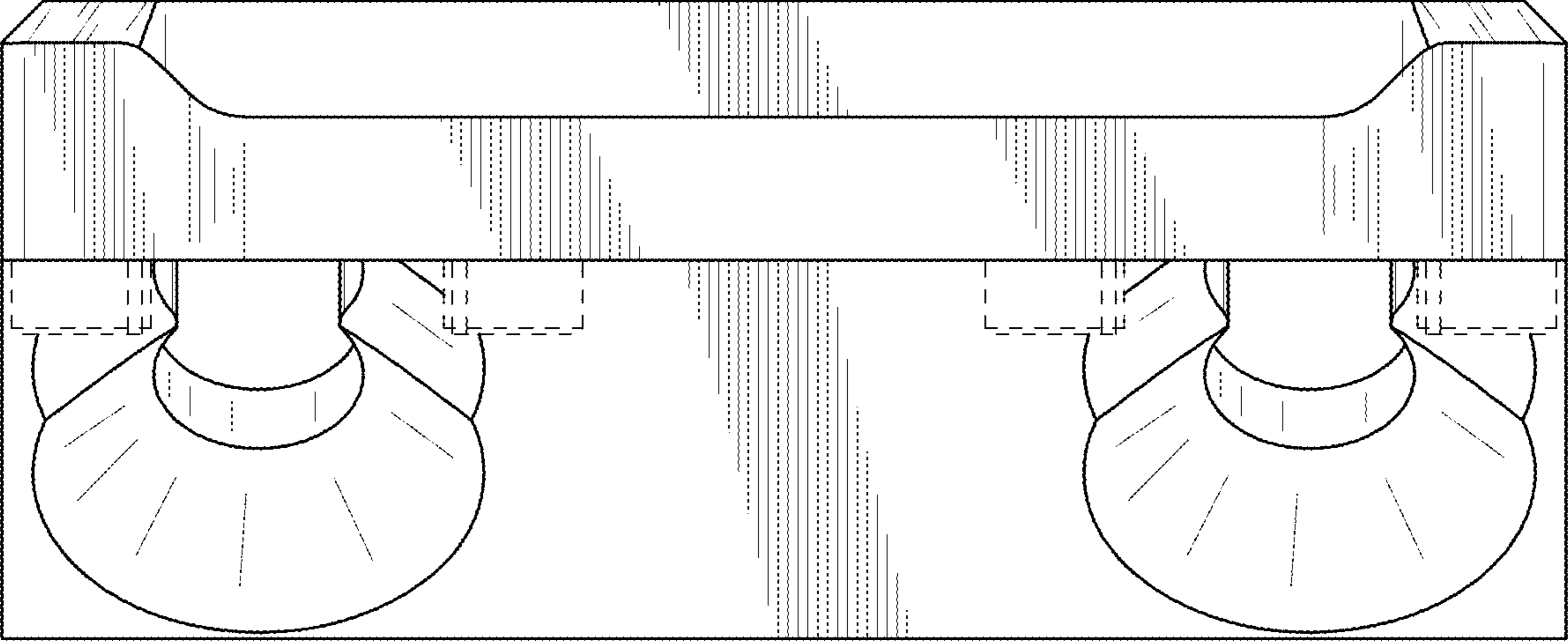


FIG. 8