



US00D987761S

(12) **United States Design Patent** (10) **Patent No.:** **US D987,761 S**
Gao (45) **Date of Patent:** **** May 30, 2023**

(54) **INFLATABLE TENT**

(71) Applicant: **Yanling Gao**, Shenzhen (CN)

(72) Inventor: **Yanling Gao**, Shenzhen (CN)

(**) Term: **15 Years**

(21) Appl. No.: **29/842,314**

(22) Filed: **Jun. 13, 2022**

(51) **LOC (14) Cl.** **21-04**

(52) **U.S. Cl.**
USPC **D21/835**; D12/403

(58) **Field of Classification Search**
USPC D21/834–839; D12/403
CPC E04H 15/00; E04H 15/001; E04H 15/003;
E04H 15/20; E04H 15/201; E04H 15/208;
E04H 15/32; E04H 15/36; E04H 15/44;
E04H 15/06

See application file for complete search history.

(56) **References Cited**

U.S. PATENT DOCUMENTS

D300,649 S *	4/1989	Tauer	E04H 15/30 D21/838
D352,690 S *	11/1994	Schorr	D12/403
D418,572 S *	1/2000	Ju	D21/834
6,179,367 B1 *	1/2001	Bowen	E04H 15/20 135/124
D630,286 S *	1/2011	Bell	D21/834
D689,159 S	9/2013	Wagoner		
8,562,066 B2 *	10/2013	Holtkamp	B60P 3/341 296/26.02
D840,488 S *	2/2019	Cha	D21/834
D851,194 S	6/2019	Kidson et al.		
D919,734 S *	5/2021	Shields	E04H 15/405 D21/837
D930,188 S *	9/2021	Xue	E04H 15/20 D25/18
D939,657 S	12/2021	Hale		
D960,277 S *	8/2022	Lah	B60P 3/341 D21/837
D970,673 S *	11/2022	Guo	D21/834
D973,572 S *	12/2022	Min	D21/837

(Continued)

OTHER PUBLICATIONS

Micoe MKCAMP Car Camping Tent, Date First Available Jun. 7, 2022 [online], [site visited Jan. 14, 2023]. Available from Internet: <URL: <https://www.amazon.com/dp/B0B38DLRKZ/>> (Year: 2022).*

Primary Examiner — Cynthia M. Chin

(74) *Attorney, Agent, or Firm* — Rumit Ranjit Kanakia

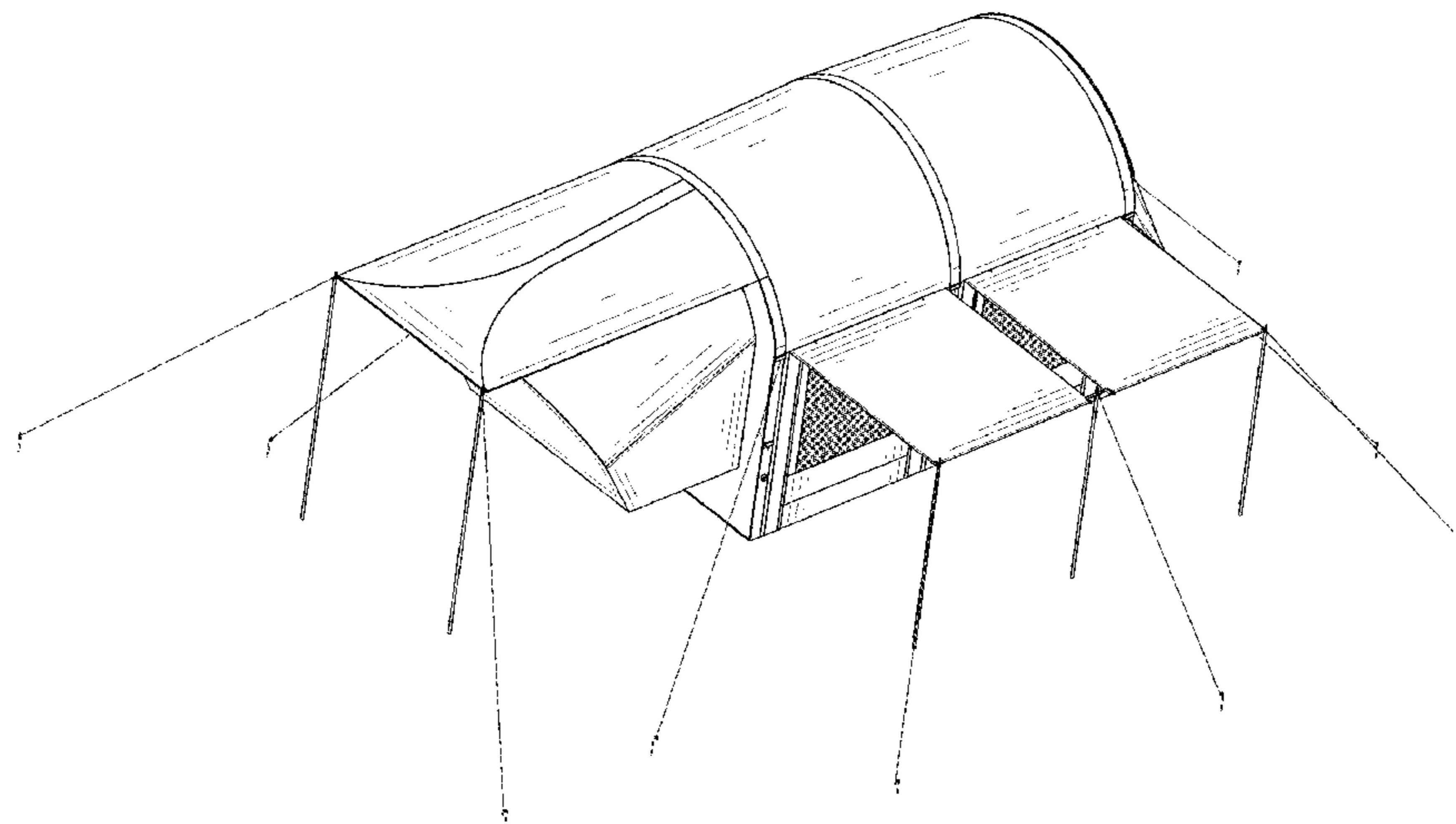
(57) **CLAIM**

The ornamental design for an inflatable tent, as shown and described.

DESCRIPTION

FIG. 1 is a first perspective view of an inflatable tent showing my new design;
 FIG. 2 is a second perspective view thereof;
 FIG. 3 is a front view thereof;
 FIG. 4 is a back view thereof;
 FIG. 5 is a left side view thereof;
 FIG. 6 is a right side view thereof;
 FIG. 7 is a top view thereof;
 FIG. 8 is a bottom view thereof;
 FIG. 9 is a perspective view of another state of the inflatable tent thereof;
 FIG. 10 is an enlarged partial view of the valve portion on the left side of the tent shown in FIG. 1;
 FIG. 11 is an enlarged partial view of the middle portion of the tent in FIG. 2; and,
 FIG. 12 is an enlarged partial view of the window portion of the tent in FIG. 9.
 The dash-dot broken lines represent the boundaries of the enlarged partial views of FIGS. 10-12. All other broken lines represent portions of the inflatable tent that form no part of the claimed design. None of the broken lines form a part of the claim.

1 Claim, 12 Drawing Sheets



(56)

References Cited

U.S. PATENT DOCUMENTS

11,530,551 B2 * 12/2022 Gantz E04H 15/30
2020/0217100 A1 * 7/2020 Xu E04H 15/405

* cited by examiner

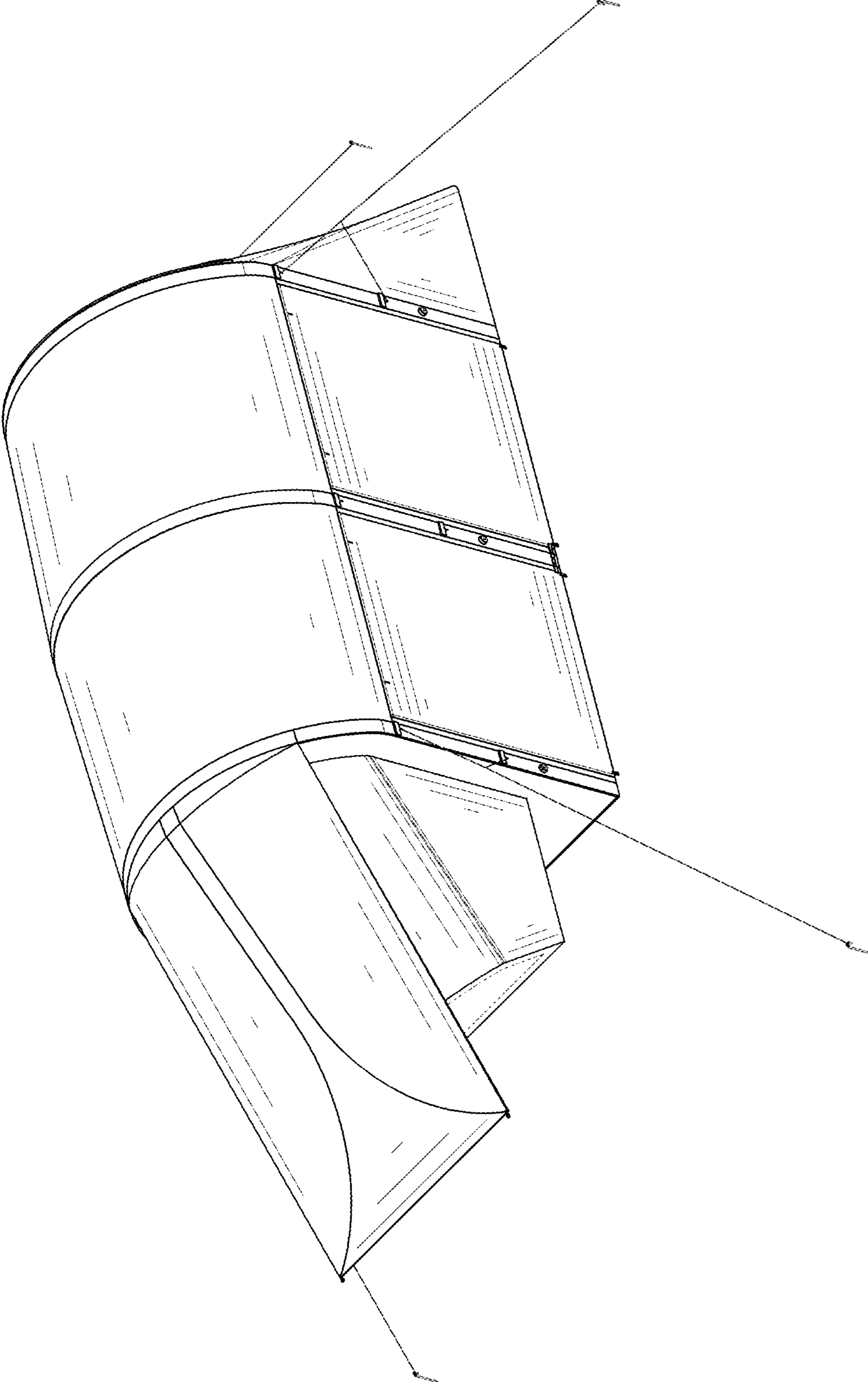


FIG. 1

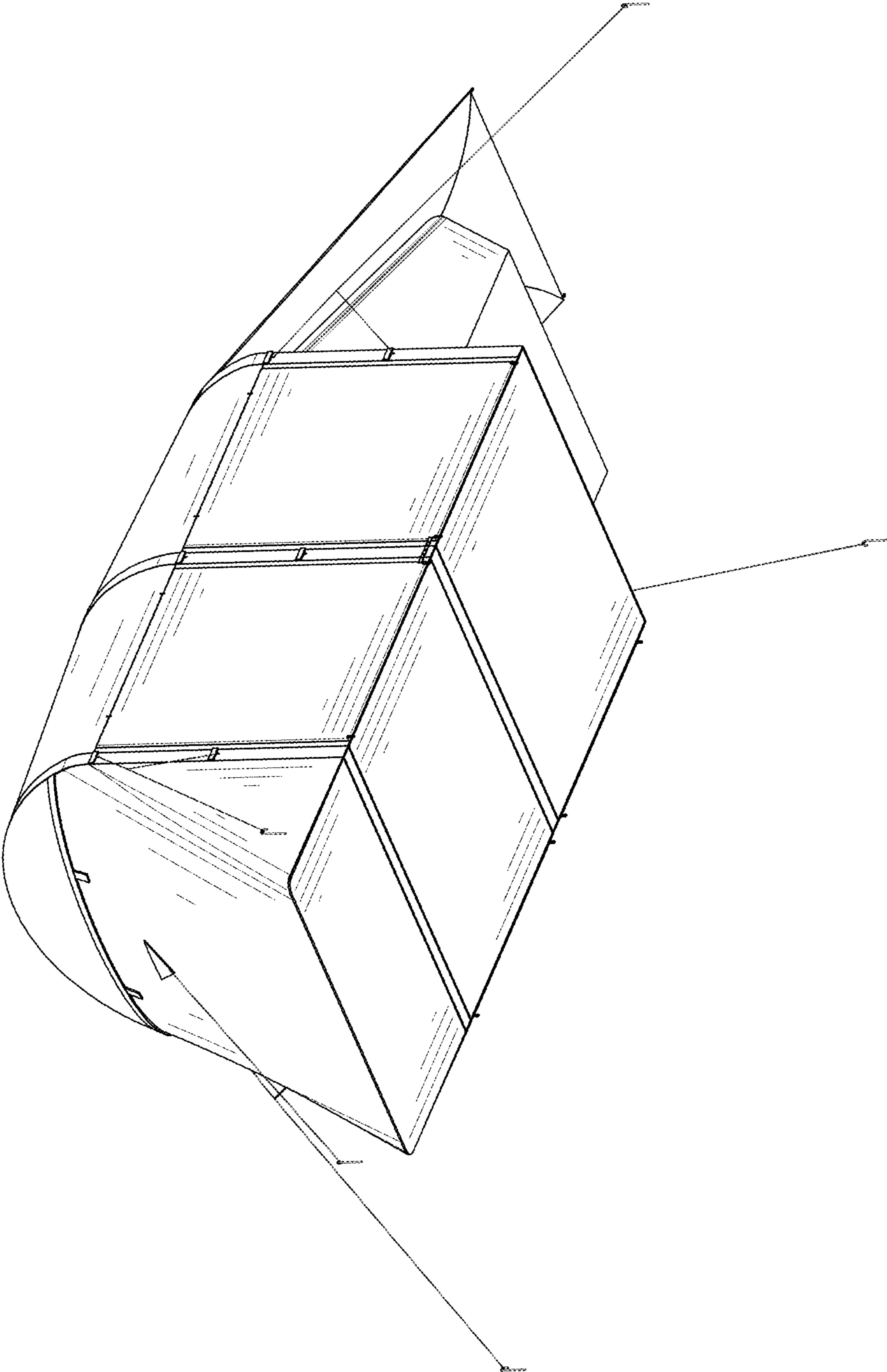


FIG. 2

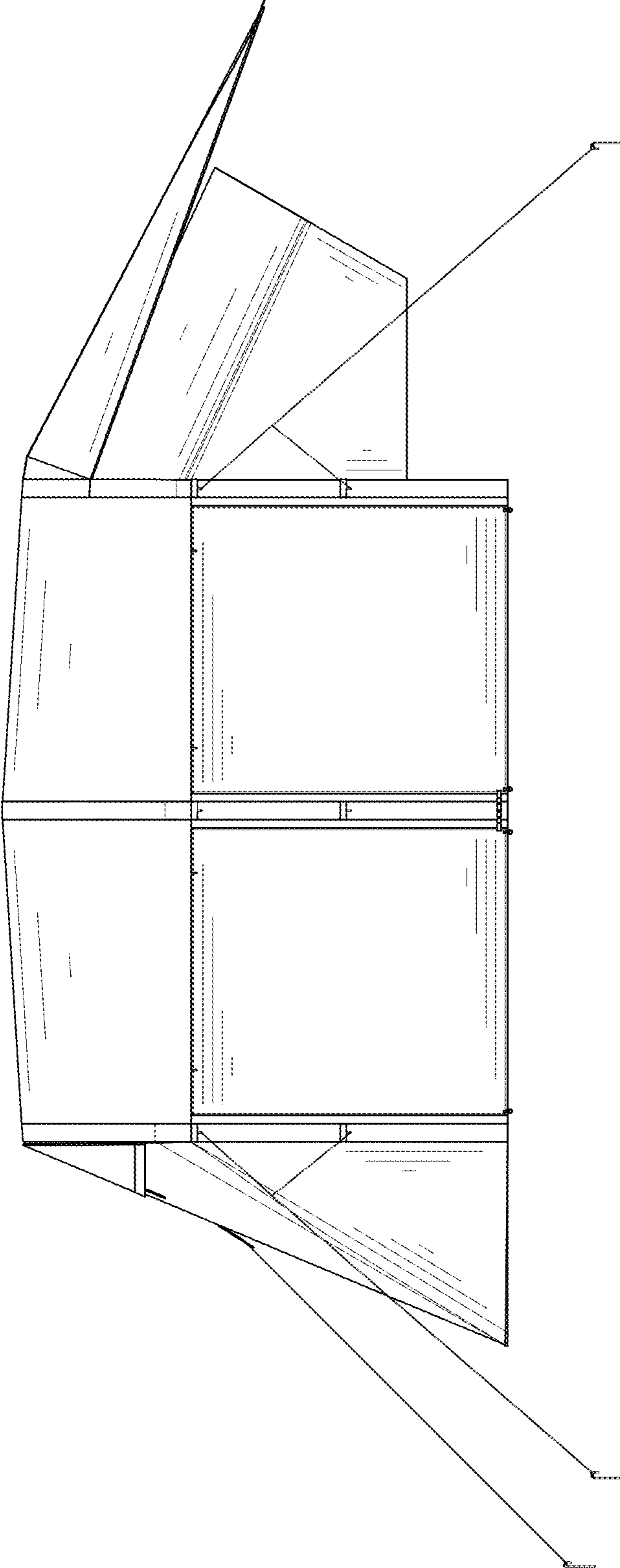


FIG. 3

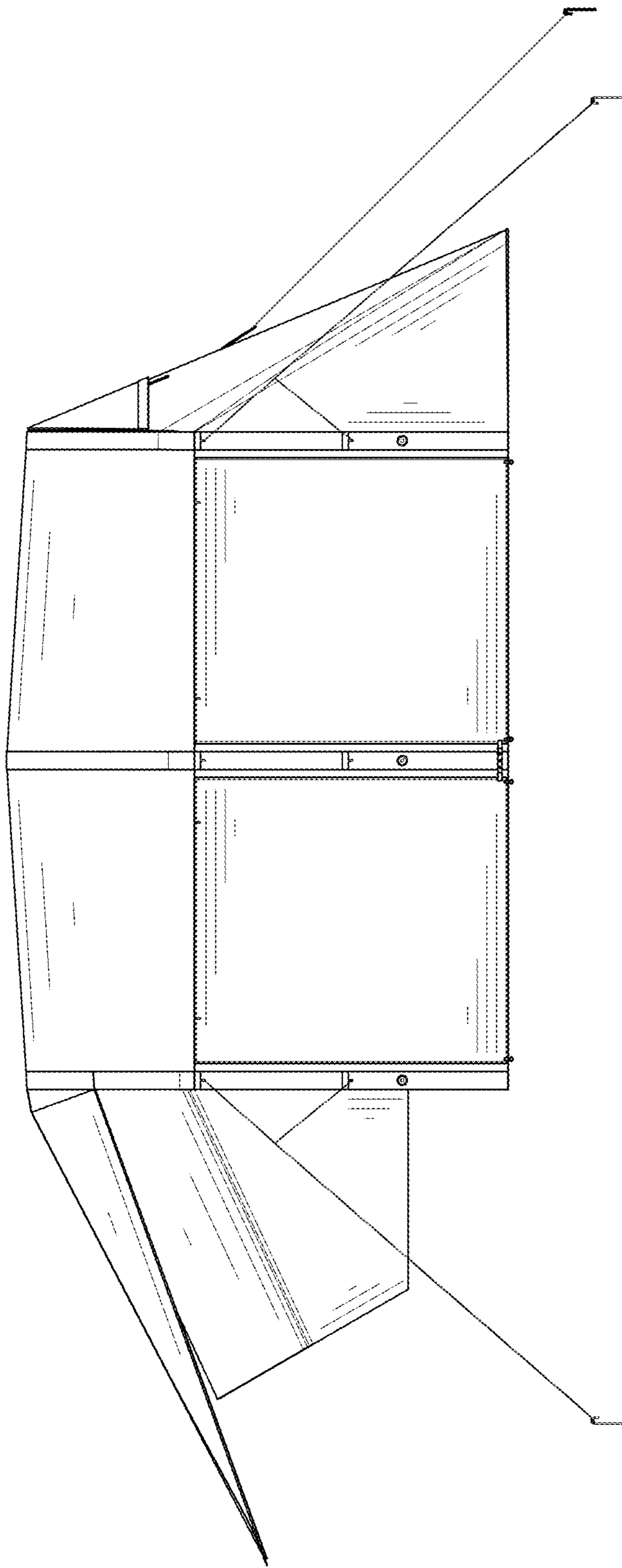


FIG. 4

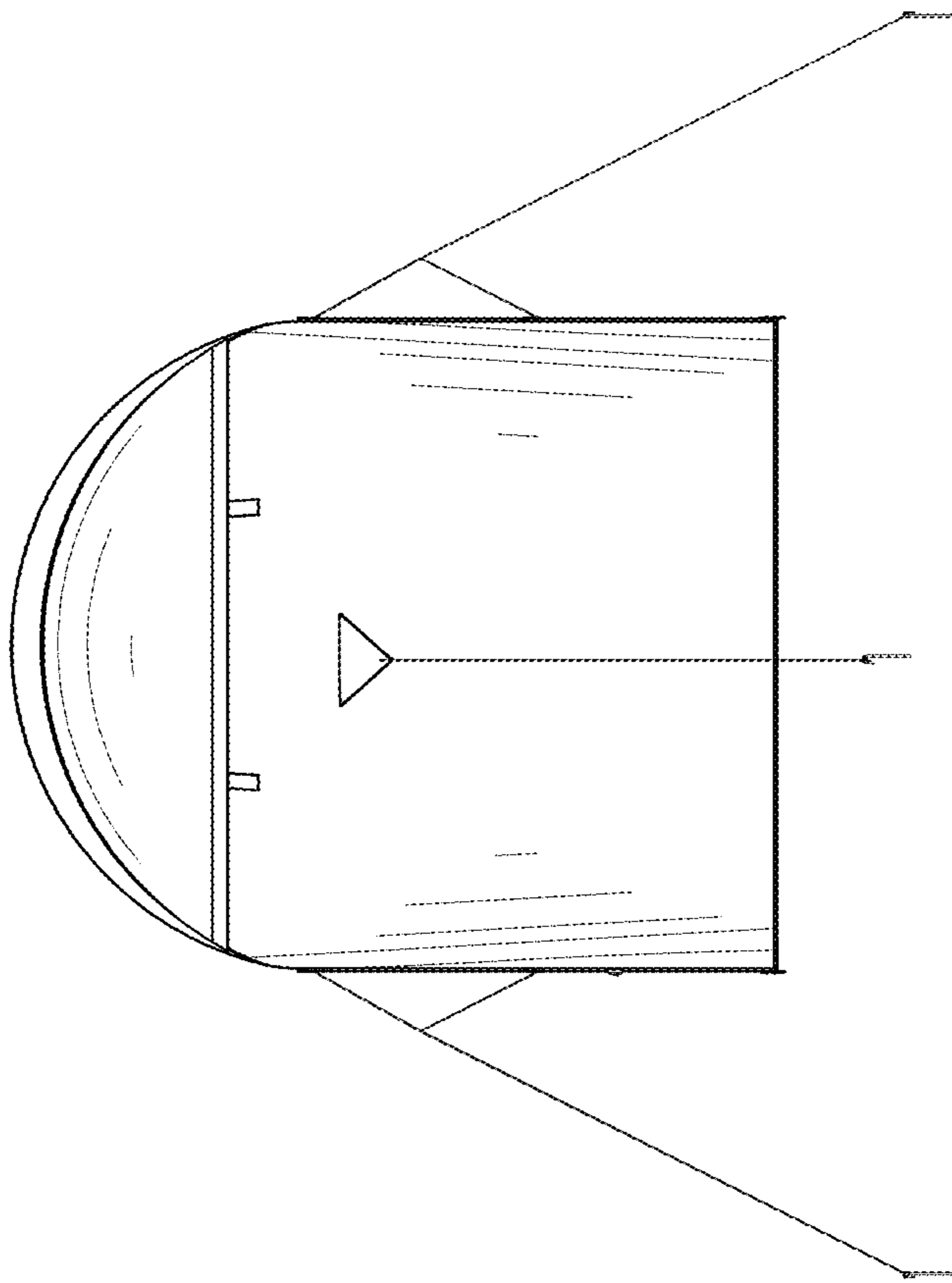


FIG. 5

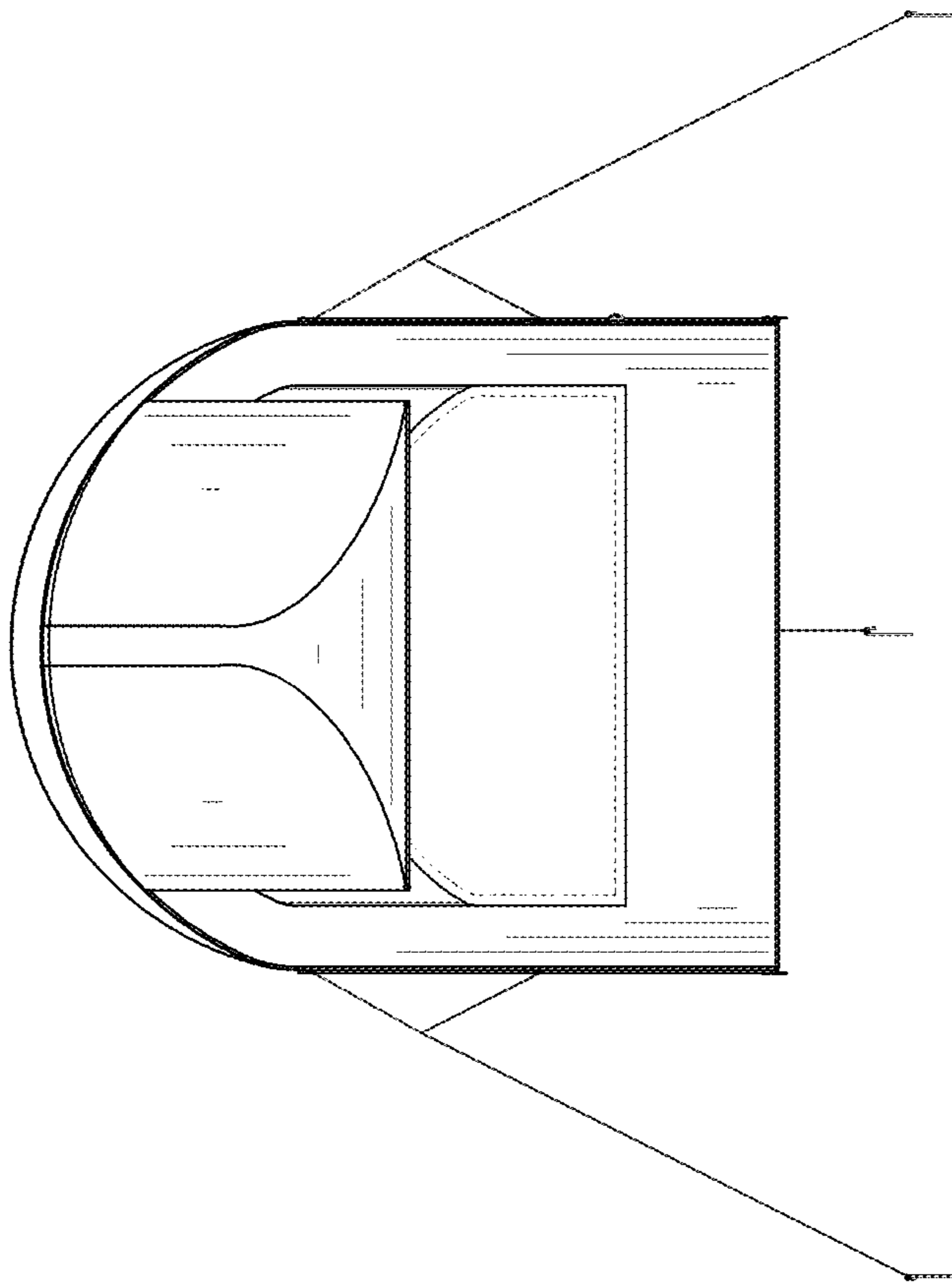


FIG. 6

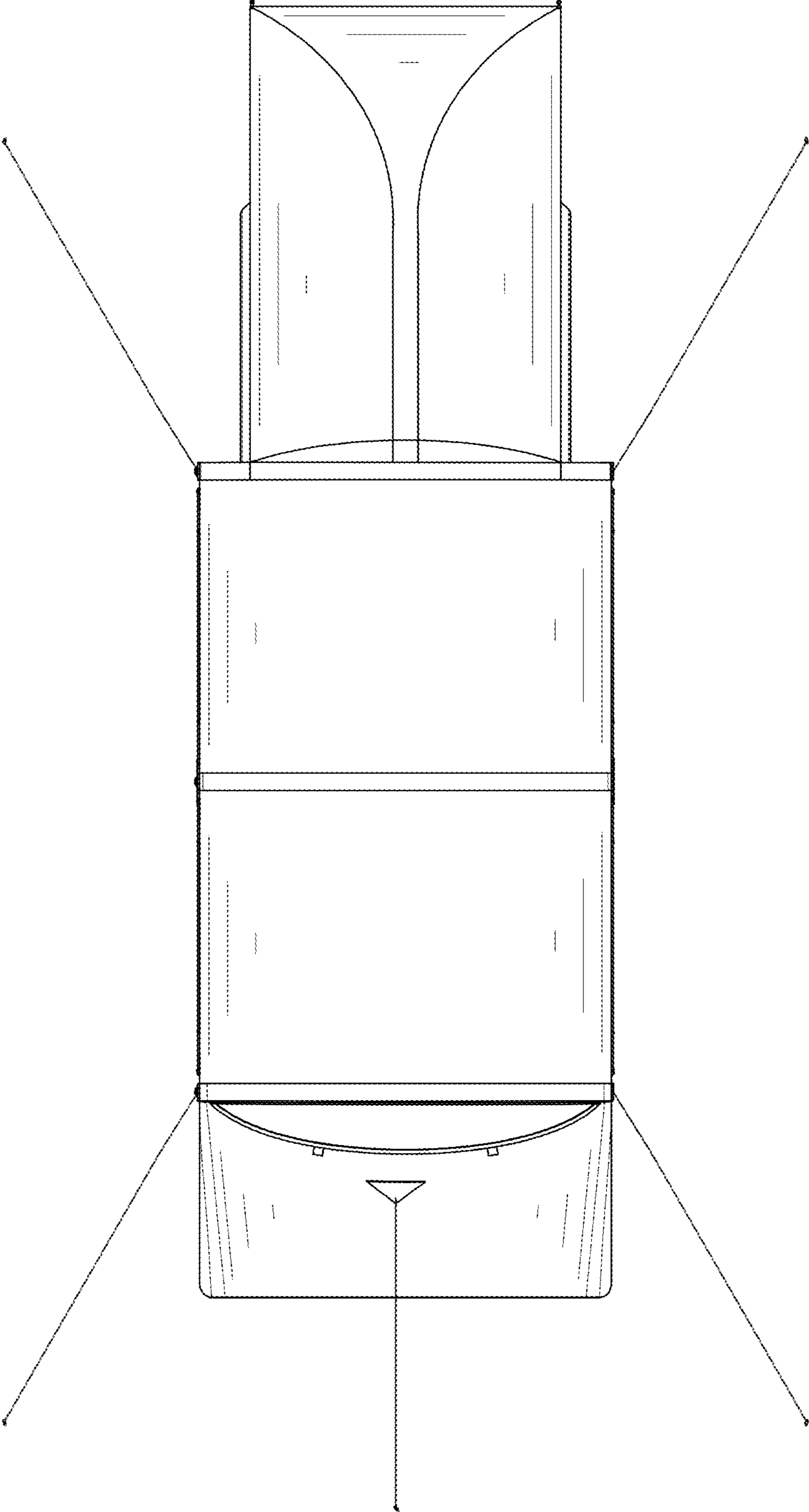


FIG. 7

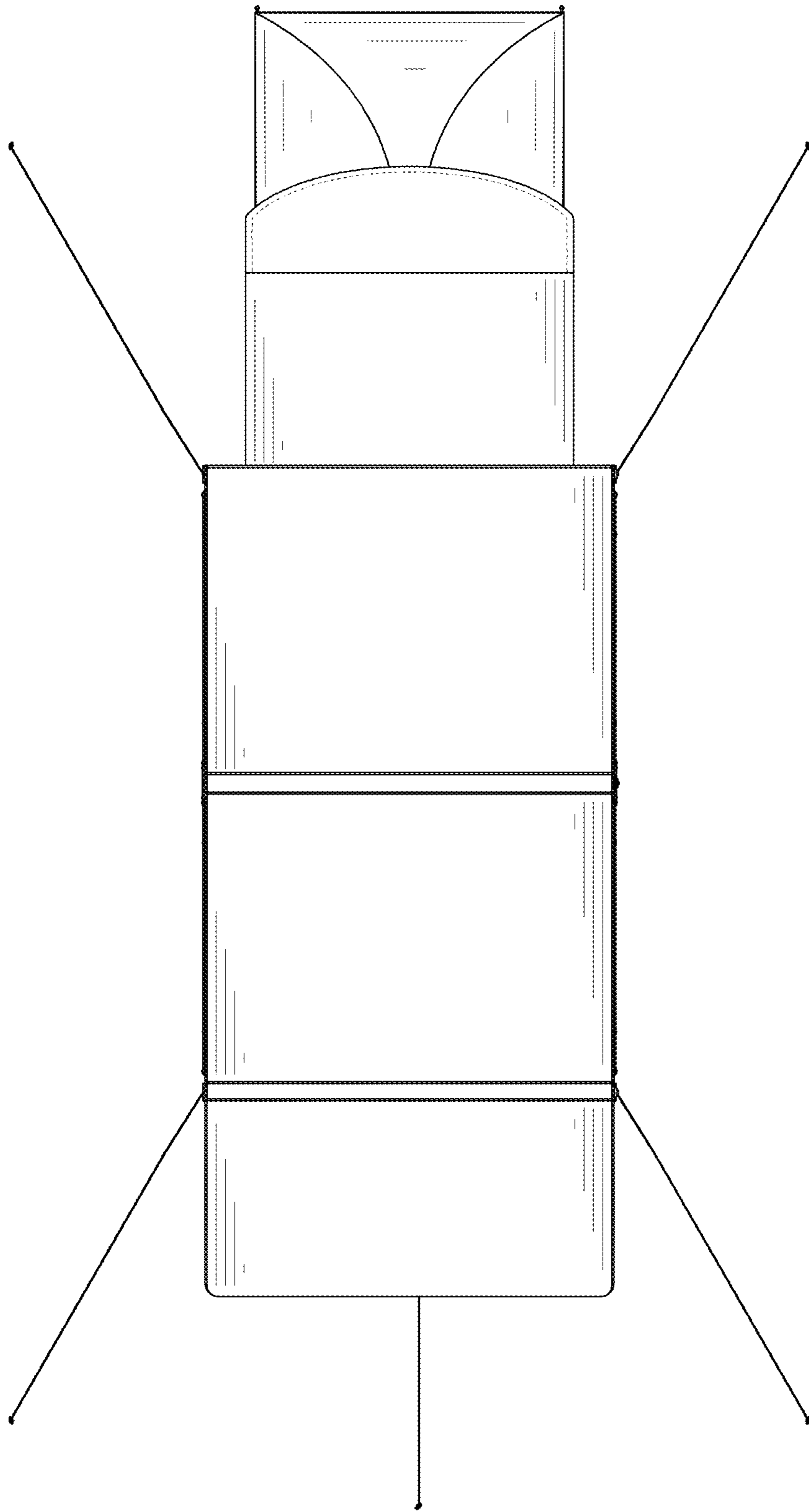


FIG. 8

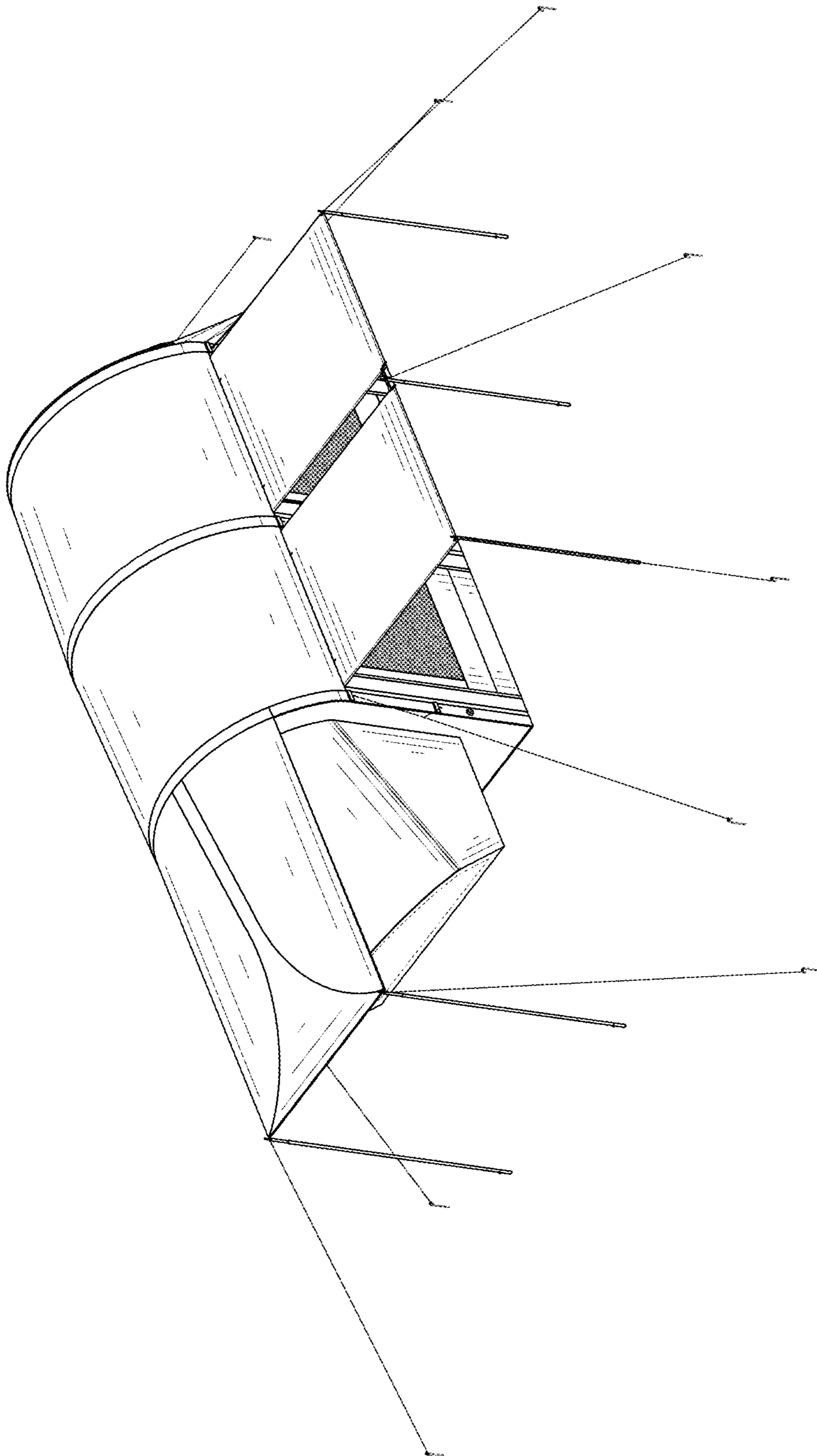


FIG. 9

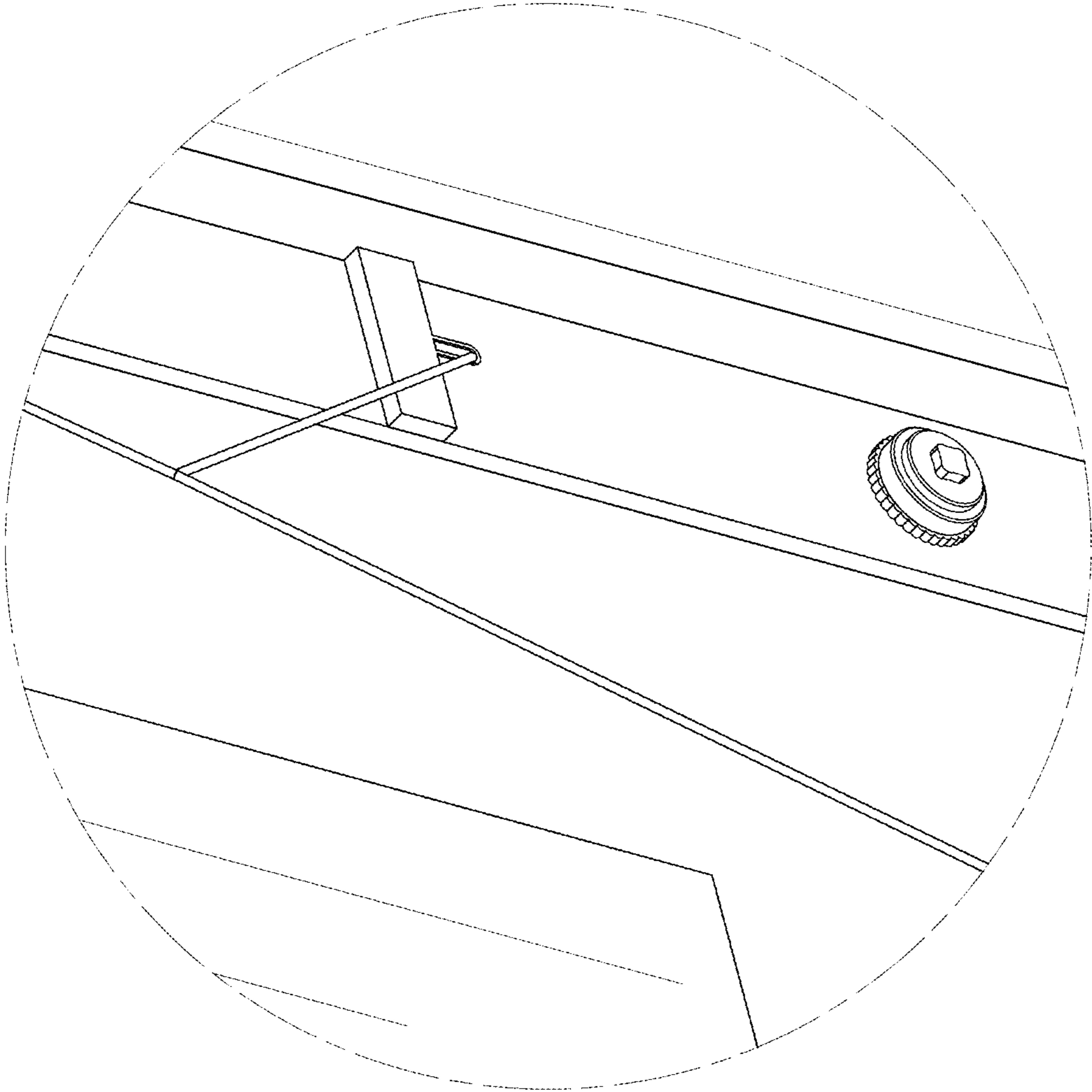


FIG. 10

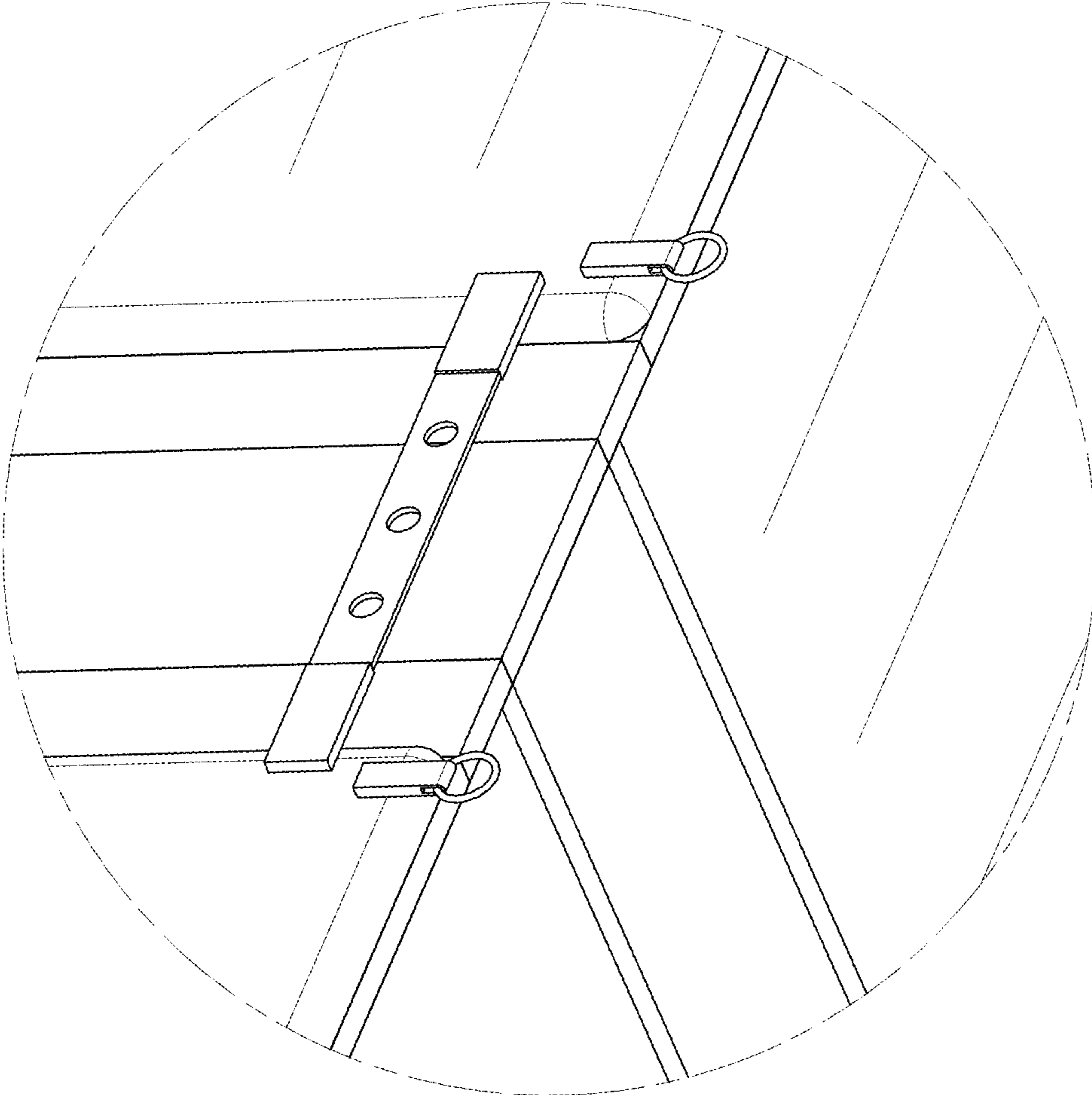


FIG. 11

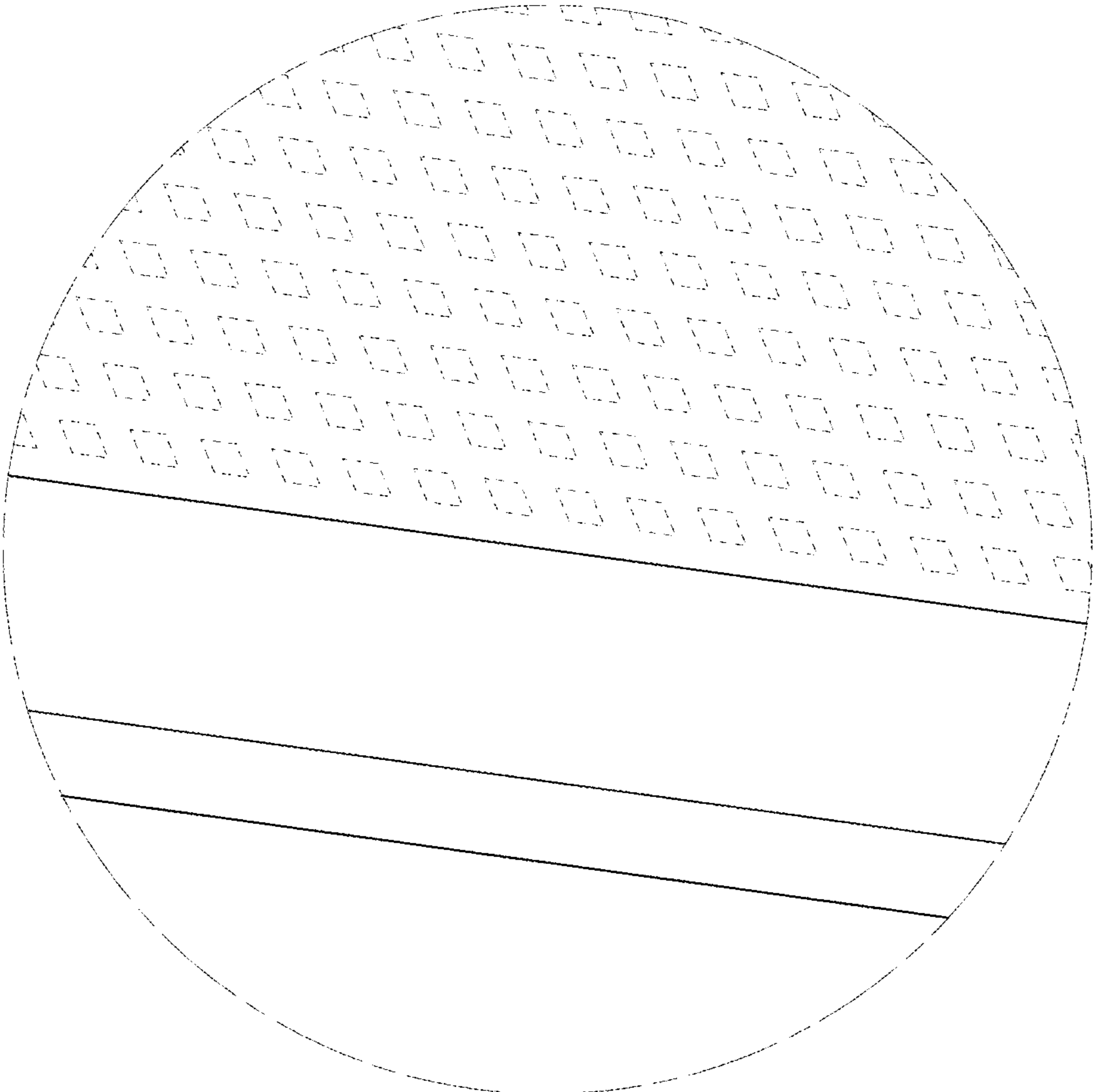


FIG. 12