



US00D987756S

(12) **United States Design Patent** (10) **Patent No.:** **US D987,756 S**  
**Borsanyi et al.** (45) **Date of Patent:** **\*\* May 30, 2023**

(54) **BALL GAME TABLE**  
(71) Applicant: **Teqball Holding S.à.r.l.**, Luxembourg (LU)  
(72) Inventors: **Gabor Borsanyi**, Luxembourg (LU); **Viktor Denes Huszar**, Luxembourg (LU); **Gyorgy Zoltan Gattyán**, Luxembourg (LU)  
(73) Assignee: **TEQBALL HOLDING S.À.R.L.**, Luxembourg (DE)

5,366,427 A 11/1994 Price, II  
5,375,837 A 12/1994 Moreau  
5,398,926 A 3/1995 Skinner  
5,487,541 A 1/1996 Dictor  
5,531,449 A 7/1996 Denton  
5,795,252 A 8/1998 Crucet  
6,213,900 B1 4/2001 Steyn et al.  
6,379,273 B1 4/2002 Takacs  
6,585,610 B2 7/2003 Sompolinsky  
D515,841 S \* 2/2006 Hsu ..... D6/691.6  
D517,620 S 3/2006 Mazloompour  
(Continued)

(\*\*) Term: **15 Years**  
(21) Appl. No.: **29/829,049**  
(22) Filed: **Mar. 2, 2022**

**FOREIGN PATENT DOCUMENTS**

DE 203021215 U1 4/2003  
FR 2606653 A1 5/1988  
(Continued)

**Related U.S. Application Data**

(62) Division of application No. 35/511,222, filed on Dec. 3, 2020 (U.S. filing date under 35 U.S.C. 384), and having an international filing date of Dec. 3, 2020, now Pat. No. Des. 958,921.  
(51) **LOC (14) Cl.** ..... **21-02**  
(52) **U.S. Cl.**  
USPC ..... **D21/799.2**  
(58) **Field of Classification Search**  
USPC ..... D6/641, 656-656.19, 685, 688.1, D6/691-691.9; D21/334, 335, 363, 365, D21/385, 397, 522, 782, 783, 784  
CPC .... A47B 3/00-0918; A47B 9/00; A47B 9/003  
See application file for complete search history.

**OTHER PUBLICATIONS**

Teqball: It's Soccer And Ping Pong In One Cool Package, Jun. 24, 2014, 3 pages. <http://www.instash.com/teqball-its-soccer-and-ping-pong-in-one-cool-package>.  
(Continued)

*Primary Examiner* — Joseph Kukella  
(74) *Attorney, Agent, or Firm* — DLA Piper LLP US

(56) **References Cited**  
U.S. PATENT DOCUMENTS

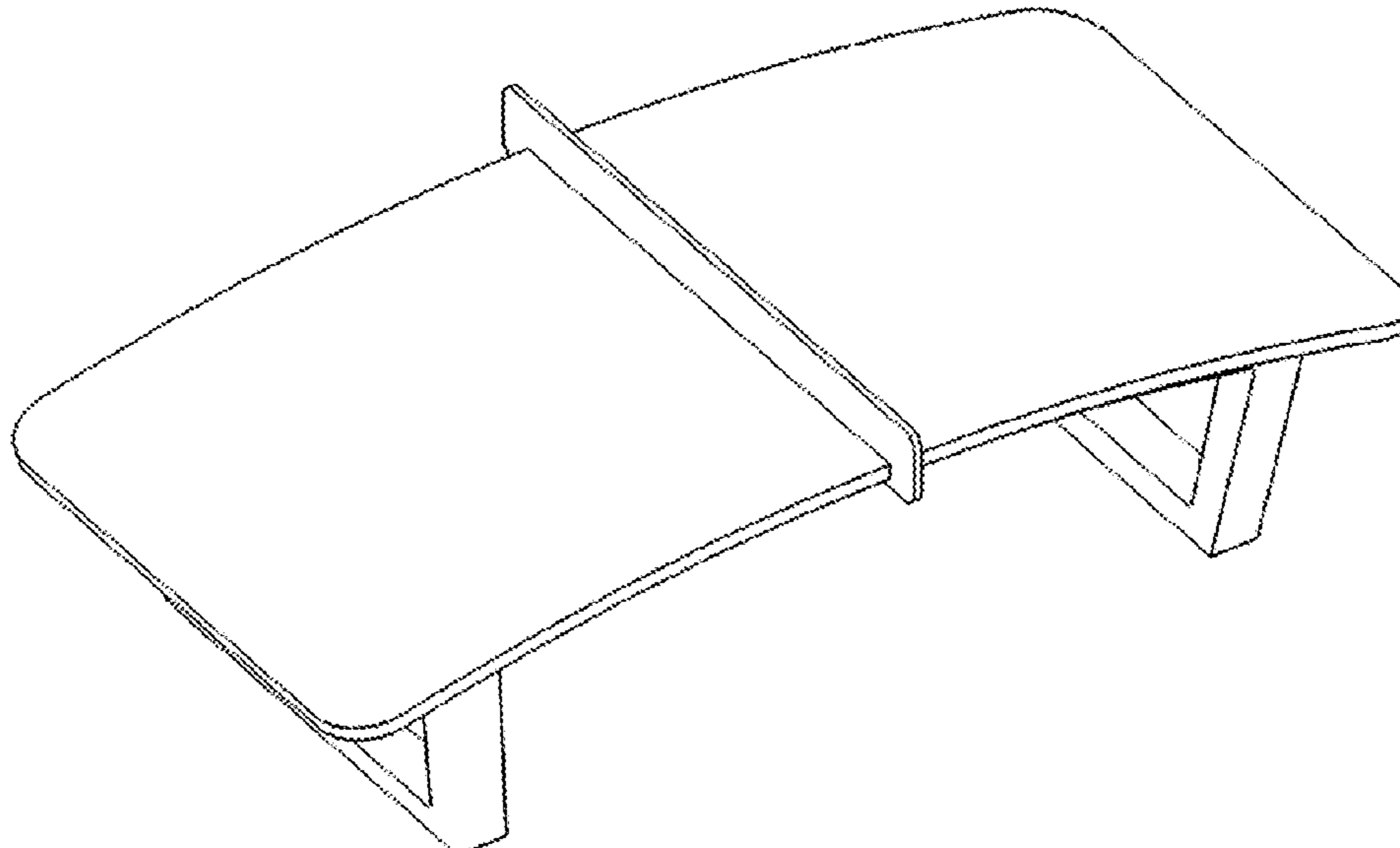
2,632,546 A 3/1953 Mott  
3,992,006 A 11/1976 Barlow  
4,119,838 A 10/1978 Genuit  
4,421,318 A 12/1983 Sverdlik et al.

(57) **CLAIM**  
We claim the ornamental design for a ball game table, as shown and described.

**DESCRIPTION**

FIG. 1 is a front elevational of a ball game table showing our new design.  
FIG. 2 is a right elevational view thereof;  
FIG. 3 is a top elevational view thereof;  
FIG. 4 is a bottom elevational view thereof; and,  
FIG. 5 is a front perspective view thereof.

**1 Claim, 5 Drawing Sheets**



(56)

References Cited

U.S. PATENT DOCUMENTS

D538,355 S \* 3/2007 Tyson ..... D21/317  
 7,500,671 B2 3/2009 Narus et al.  
 8,007,378 B2 8/2011 Vallon et al.  
 8,091,490 B2 \* 1/2012 Branch ..... A47B 3/087  
 108/169  
 8,182,374 B1 5/2012 Copeland  
 D713,894 S \* 9/2014 Lopez ..... D21/397  
 D754,797 S \* 4/2016 Fissell ..... D21/397  
 9,421,428 B1 8/2016 Dobush  
 9,675,860 B2 \* 6/2017 Borsányi ..... A63B 67/04  
 9,711,061 B2 7/2017 Chun  
 9,763,513 B2 \* 9/2017 Cai ..... A47B 3/0912  
 D809,070 S \* 1/2018 Fissell ..... D21/397  
 D823,965 S \* 7/2018 Huszár ..... D21/799.2  
 D836,726 S \* 12/2018 Wasserman ..... A47B 3/087  
 D21/397  
 D844,353 S \* 4/2019 Horowitz ..... D6/687  
 D854,622 S \* 7/2019 Fissell ..... D21/397  
 D867,798 S \* 11/2019 Clegg ..... D6/707.26  
 D868,919 S \* 12/2019 Huszár ..... D21/799.2  
 D910,765 S \* 2/2021 Delgado ..... A63B 67/04  
 D21/397  
 D952,044 S \* 5/2022 Huszár ..... D21/397  
 11,324,309 B2 \* 5/2022 Vander Veen ..... A47B 3/0815

FOREIGN PATENT DOCUMENTS

GB 190125767 A 10/1902  
 HU 1917 U 12/2000  
 HU 2188 U 12/2001  
 HU 222429 B1 7/2003  
 WO WO9907447 A1 2/1999

OTHER PUBLICATIONS

Teqball Reinvents the Game of Football with new Equipment that Objectively Measures Players' Skill Levels; Pre-3rders Available Through Kickstarter Campaign, Jun. 23, 2014, 4 pages. <https://www.prnewswire.com/news-releases/teqball-reinvents-the-game-of-football-with-new-equipment-that-objectively-measures-players-skill-levels-pre-orders-available-through-kickstarter-campaign-264223861.html>.

Teqball—An Awesome Combination of Football and Table Tennis, Jul. 9, 2014, 8 pages. <http://www.odditycentral.com/news/teqball-an-awesome-combination-of-football-and-table-Tennis.html>.

\* cited by examiner

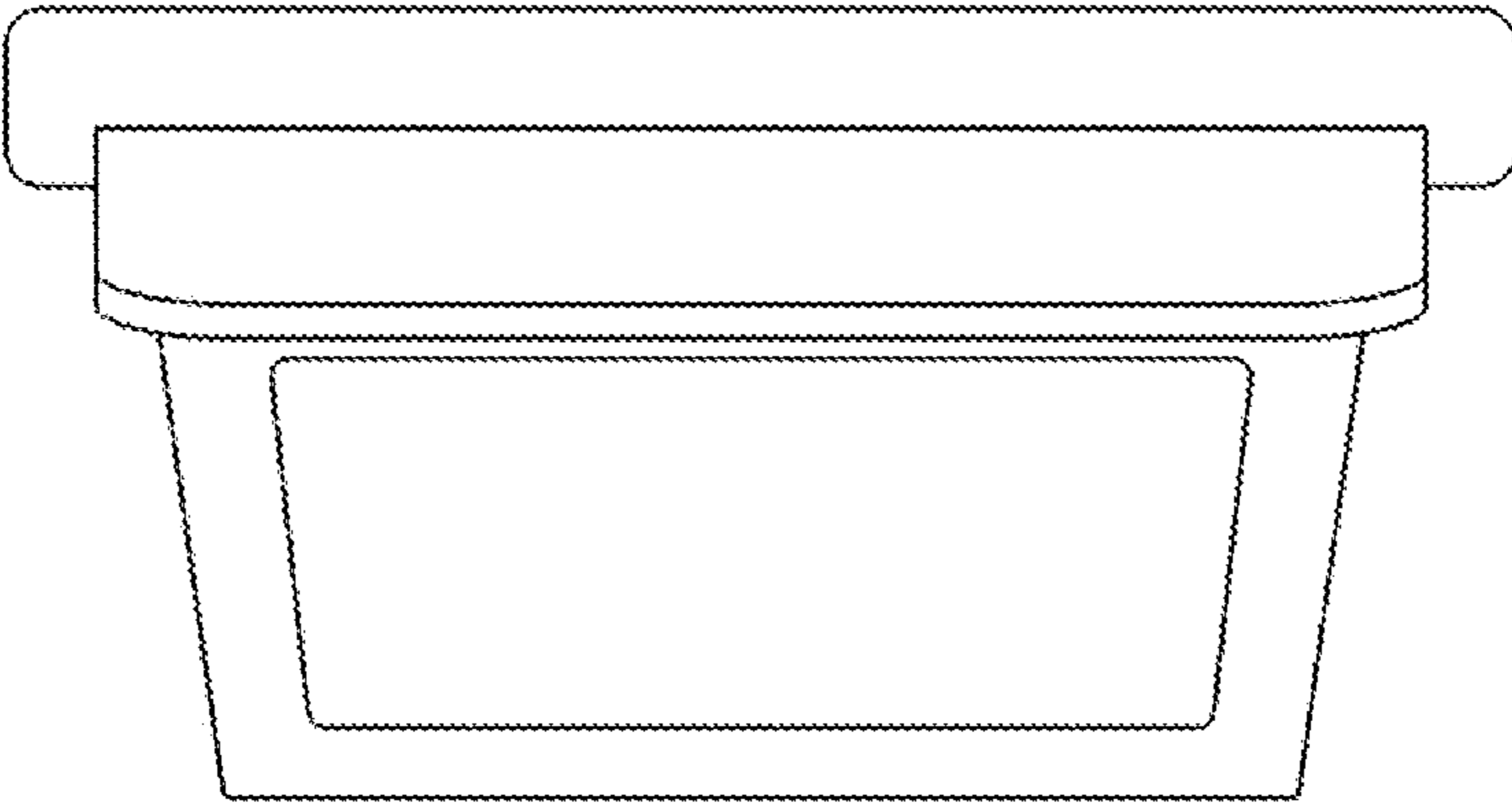


FIGURE 1

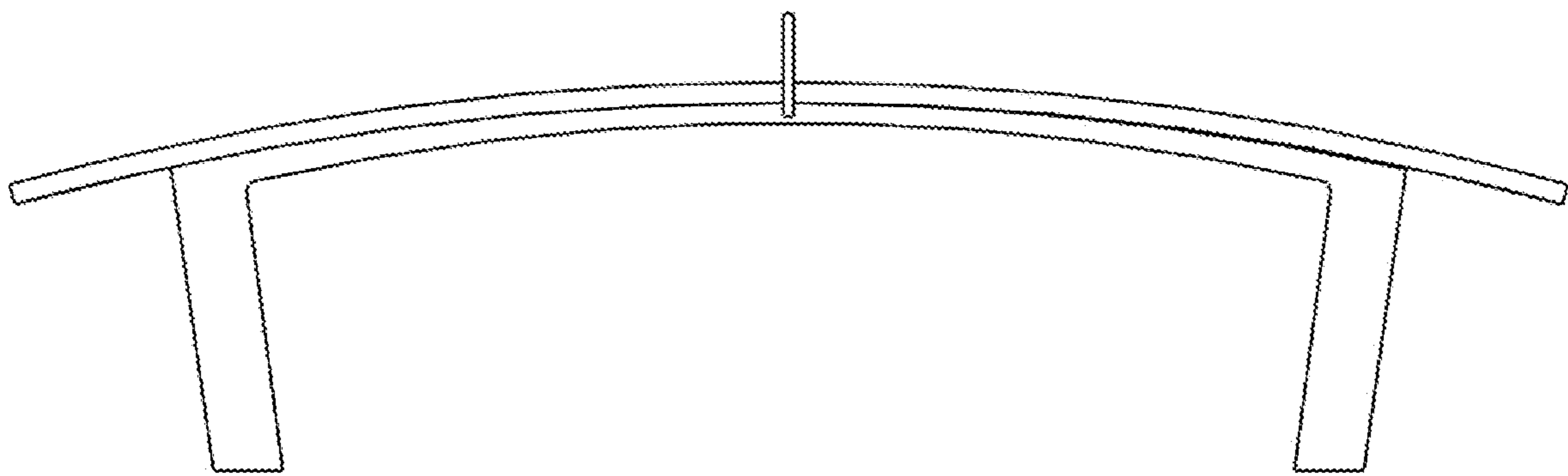


FIGURE 2

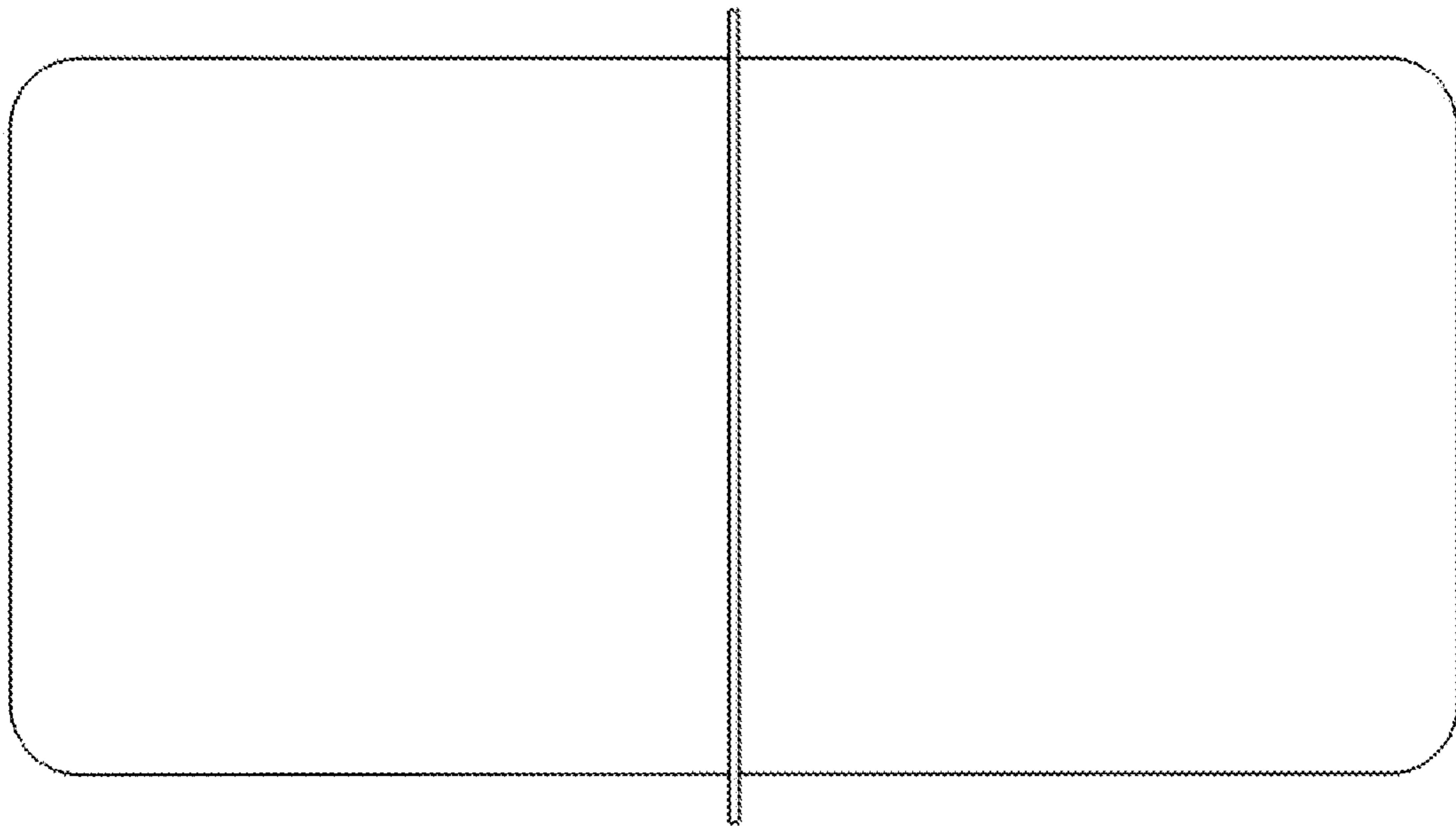


FIGURE 3

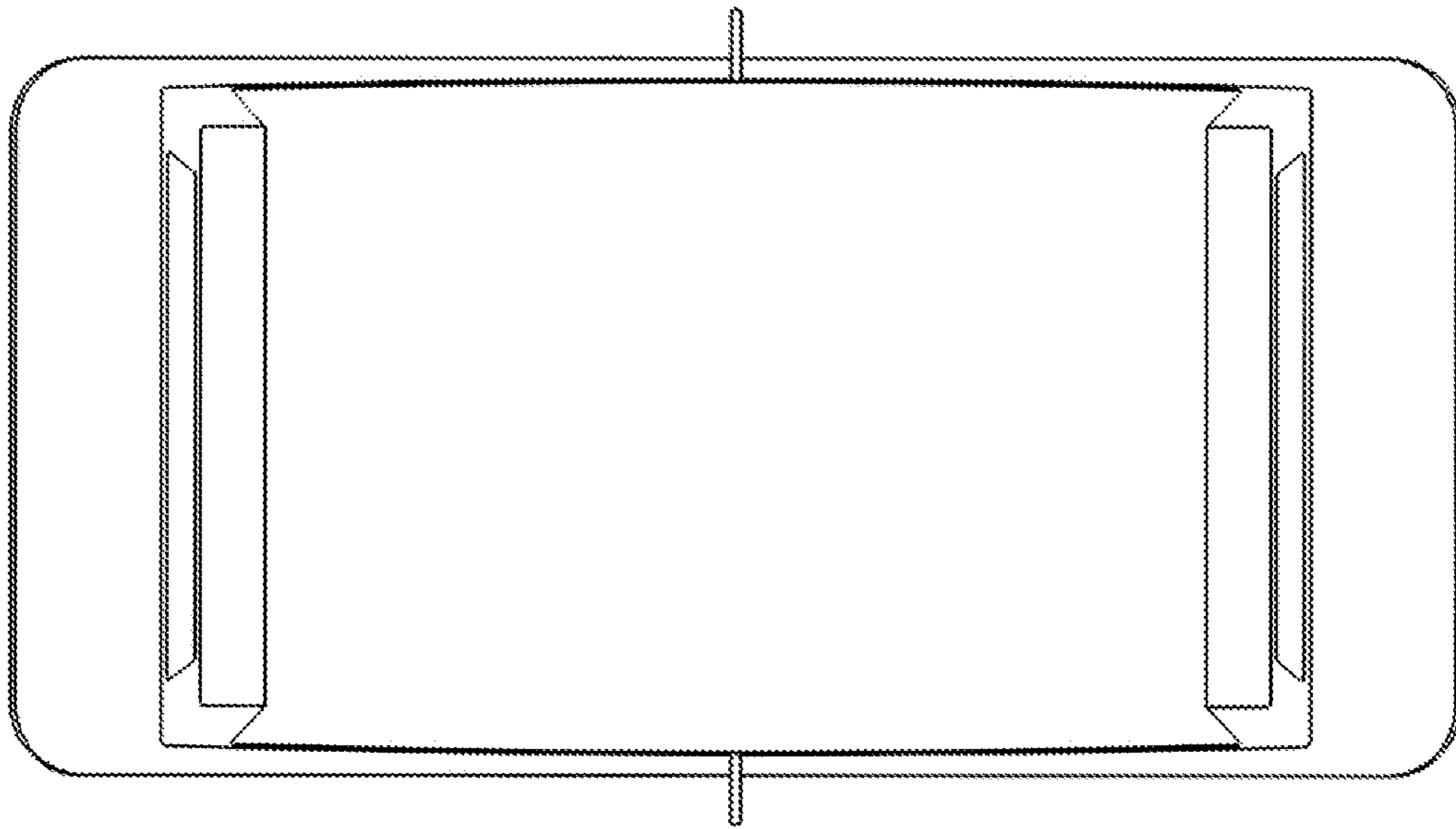


FIGURE 4

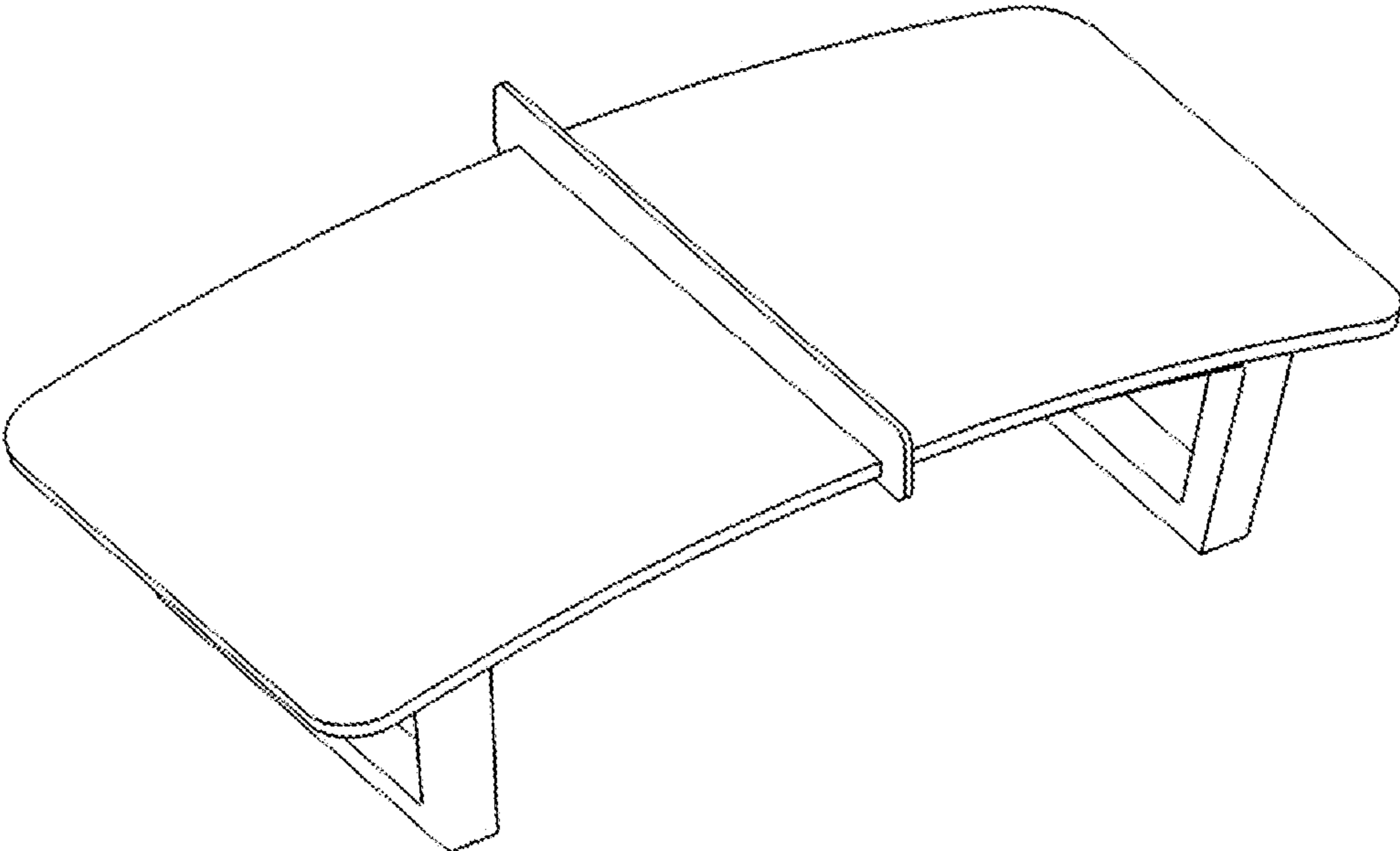


FIGURE 5