



US00D987747S

(12) **United States Design Patent** (10) **Patent No.:** **US D987,747 S**
Fan (45) **Date of Patent:** **** May 30, 2023**

(54) **STRENGTH TRAINER**

(71) Applicant: **Shenzhen Speediance Life Tech Limited**, Shenzhen (CN)

(72) Inventor: **Xinyuan Fan**, Shenzhen (CN)

(73) Assignee: **Shenzhen Speediance Life Tech Limited**, Shenzhen (CN)

(**) Term: **15 Years**

(21) Appl. No.: **29/814,780**

(22) Filed: **Nov. 9, 2021**

(30) **Foreign Application Priority Data**

Oct. 26, 2021 (CN) 202130700497.9

(51) **LOC (14) Cl.** **21-02**

(52) **U.S. Cl.**
USPC **D21/686**

(58) **Field of Classification Search**
USPC D21/686, 673, 675, 676, 691, 694, 826
CPC A63B 21/078; A63B 21/0783; A63B 21/4029; A63B 21/4035; A63B 21/156; A63B 21/154; A63B 2023/0411; A63B 23/1209; A63B 23/03525; A63B 2225/09; A63B 23/03566; A63B 21/062; A63B 21/0628; A63B 21/0626; A63B 1/078
See application file for complete search history.

(56) **References Cited**

U.S. PATENT DOCUMENTS

D486,870	S	*	2/2004	Mason	D21/662
D746,925	S	*	1/2016	Firth	D21/686
D808,475	S	*	1/2018	Meredith	D21/686
D912,168	S	*	3/2021	Orady	D21/673
D952,775	S	*	5/2022	Kim	D21/686
D957,551	S	*	7/2022	Kim	D21/686
2003/0045406	A1	*	3/2003	Stone	A63B 21/154
2013/0040787	A1	*	2/2013	Giannelli	A63B 21/4035
2013/0109543	A1	*	5/2013	Reyes	A63B 21/4035

2015/0246258	A1	*	9/2015	Hockridge	A63B 21/156
2020/0047027	A1	*	2/2020	Ward	G06V 20/20
2020/0047031	A1	*	2/2020	Orady	A63B 24/0062

OTHER PUBLICATIONS

“Speediance: the Best Intelligent All-in-One Strength Training” Oct. 29, 2021, Youtube, site visited Mar. 8, 2023: <https://www.youtube.com/watch?v=DtxEmDEzGak> (Year: 2021).
“Speediance Home Gym” May 27, 2022, Youtube, site visited Mar. 8, 2023: <https://www.speediance.com/products/speediance-home-gym> (Year: 2022).
“OxeFit” Jan. 26, 2022, Youtube, site visited Mar. 8, 2023: <https://www.youtube.com/watch?v=pY5dxFKy0hc> (Year: 2022).
“Meet Tonal” Aug. 16, 2018, Youtube, site visited Mar. 15, 2023: <https://www.youtube.com/watch?v=j1RdHmefjml> (Year: 2018).

* cited by examiner

Primary Examiner — Jack Reickel

Assistant Examiner — Salamah Jordan

(74) *Attorney, Agent, or Firm* — Westbridge IP LLC

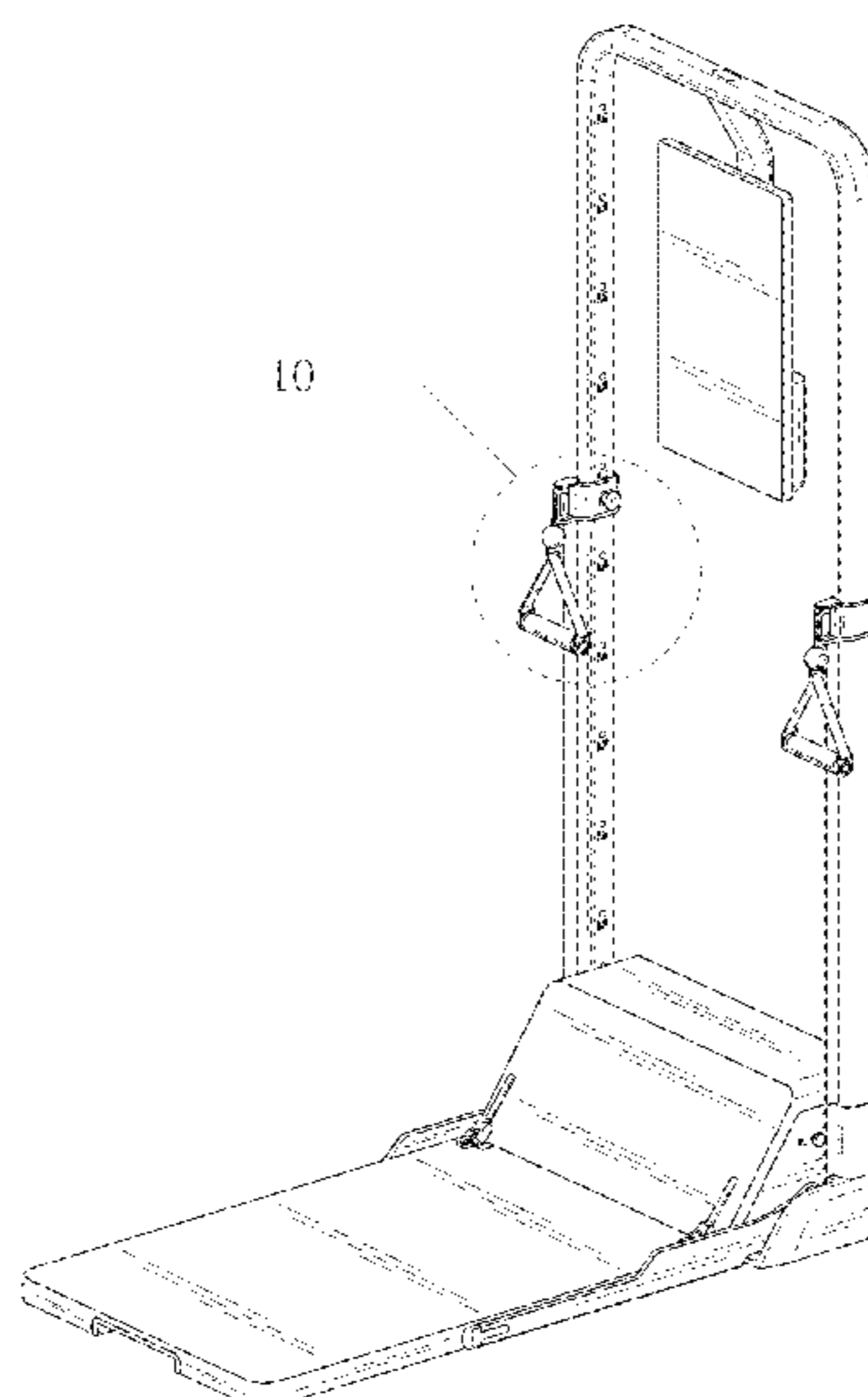
(57) **CLAIM**

The ornamental design for a strength trainer, as shown and described.

DESCRIPTION

FIG. 1 is a front perspective view of a strength trainer showing my new design;
FIG. 2 is a reference view thereof showing a state in use;
FIG. 3 is a rear perspective view thereof;
FIG. 4 is a front elevational view thereof;
FIG. 5 is a rear elevational view thereof;
FIG. 6 is a left side elevational view thereof;
FIG. 7 is a right side elevational view thereof;
FIG. 8 is a top plan view thereof;
FIG. 9 is a bottom plan view thereof;
FIG. 10 is an enlarged view of portion 10 of FIG. 1;
FIG. 11 is an enlarged view of portion 11 of FIG. 2; and,
FIG. 12 is an enlarged view of portion 12 of FIG. 3.

1 Claim, 12 Drawing Sheets



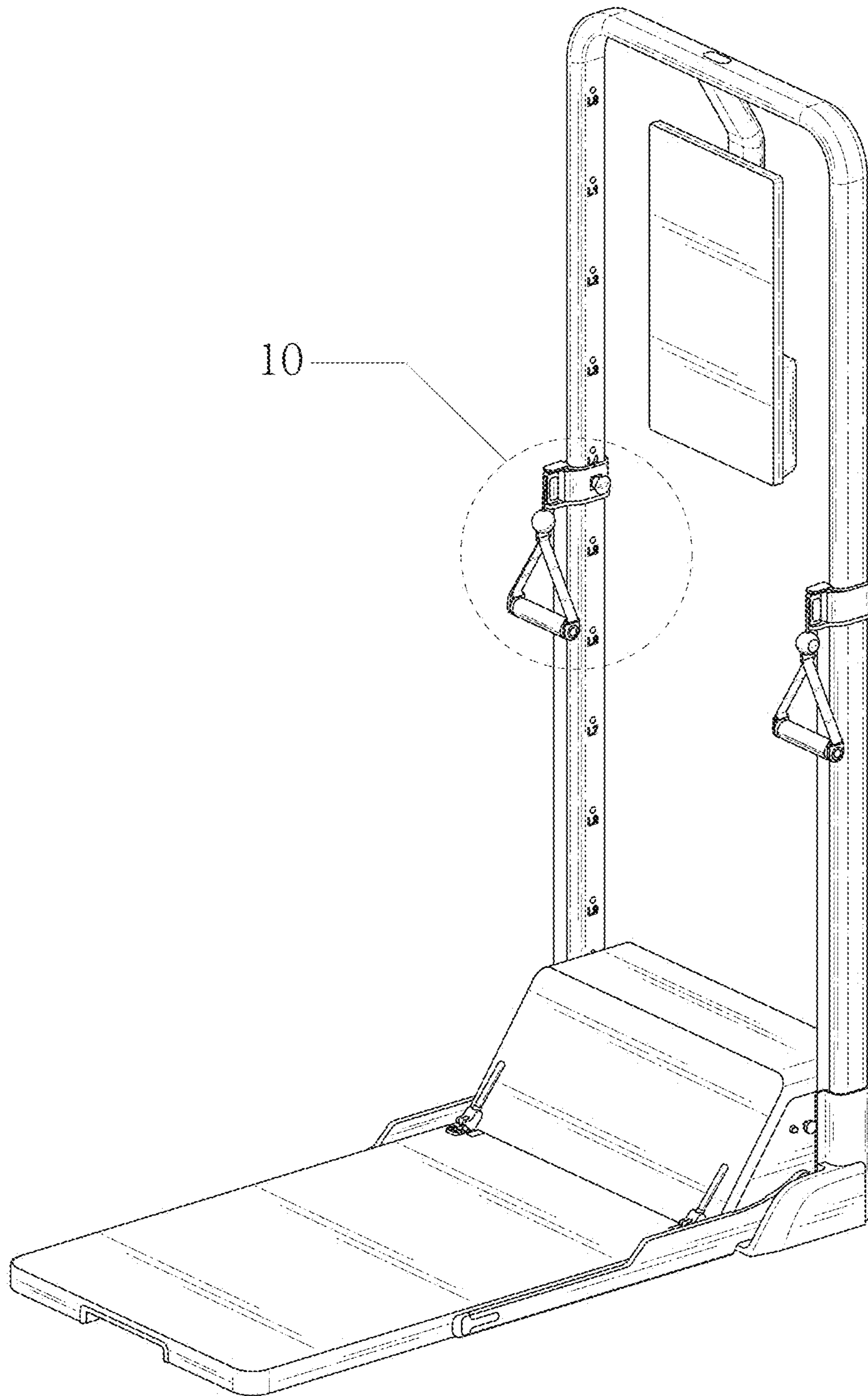


FIG. 1

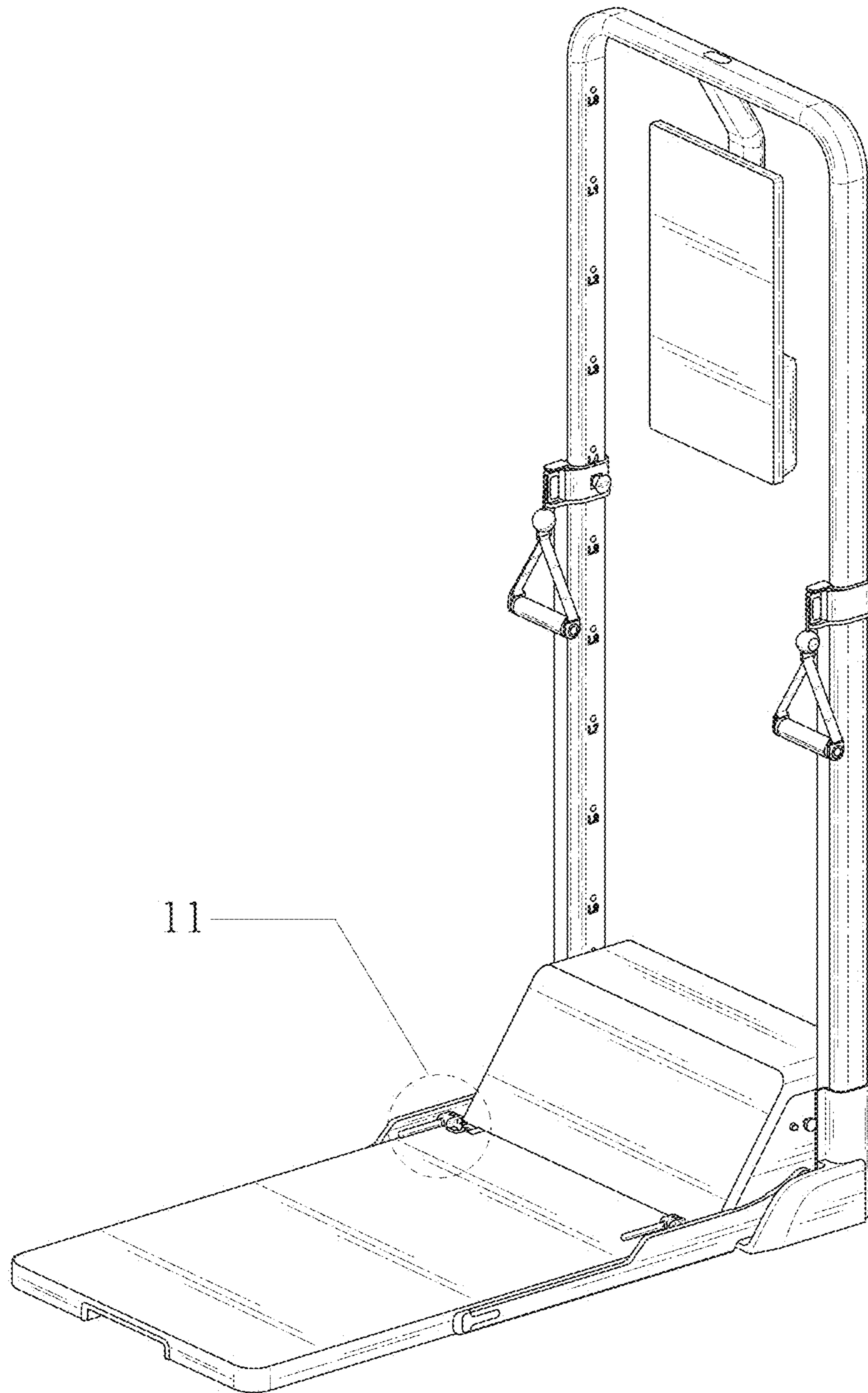


FIG.2

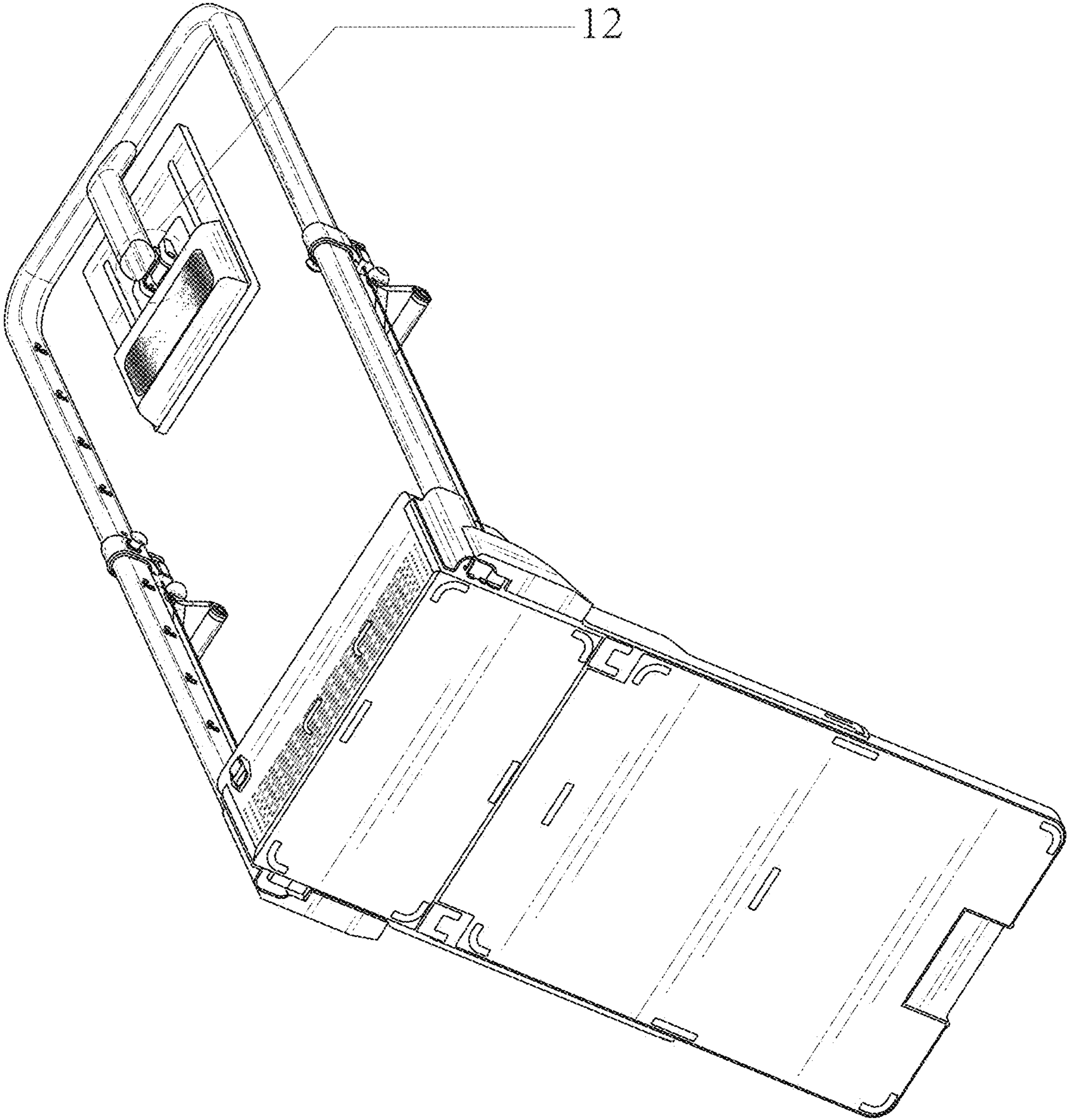


FIG.3

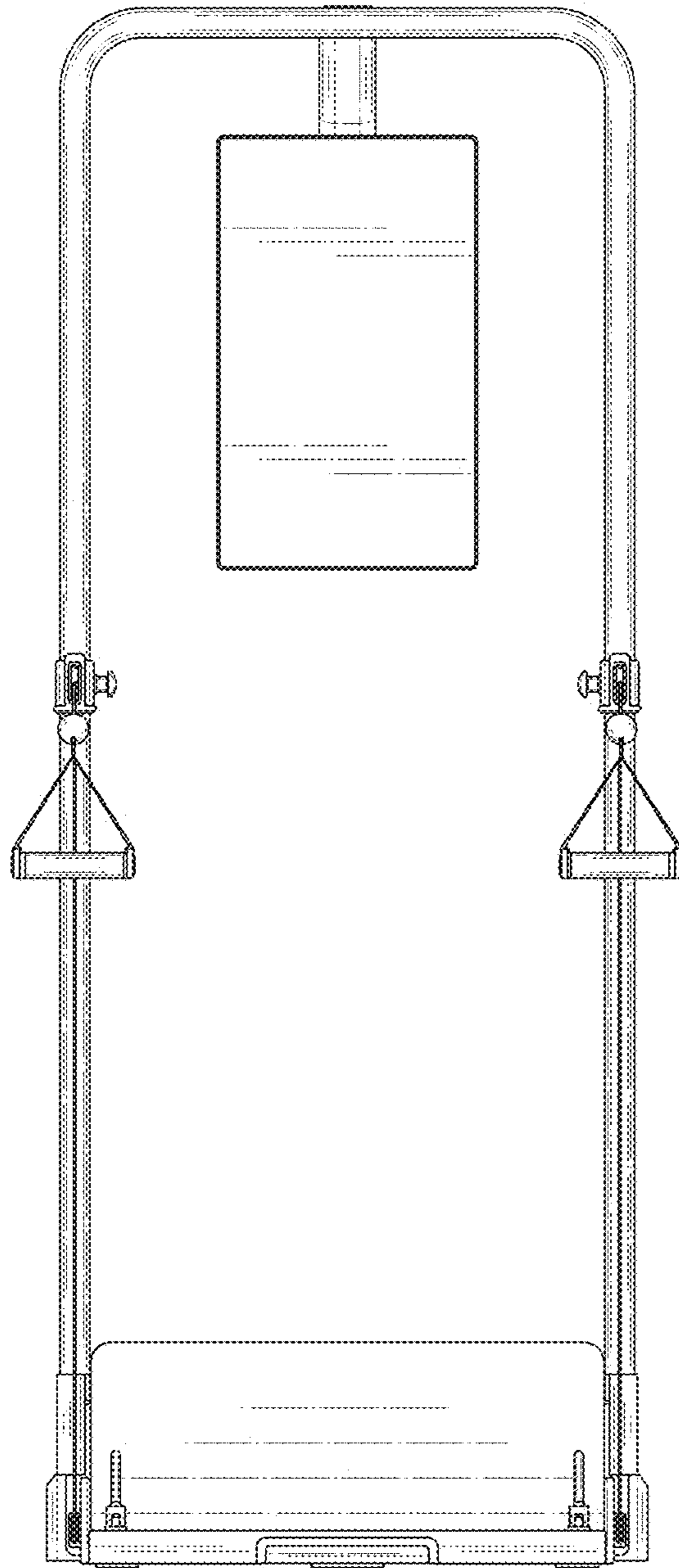


FIG.4

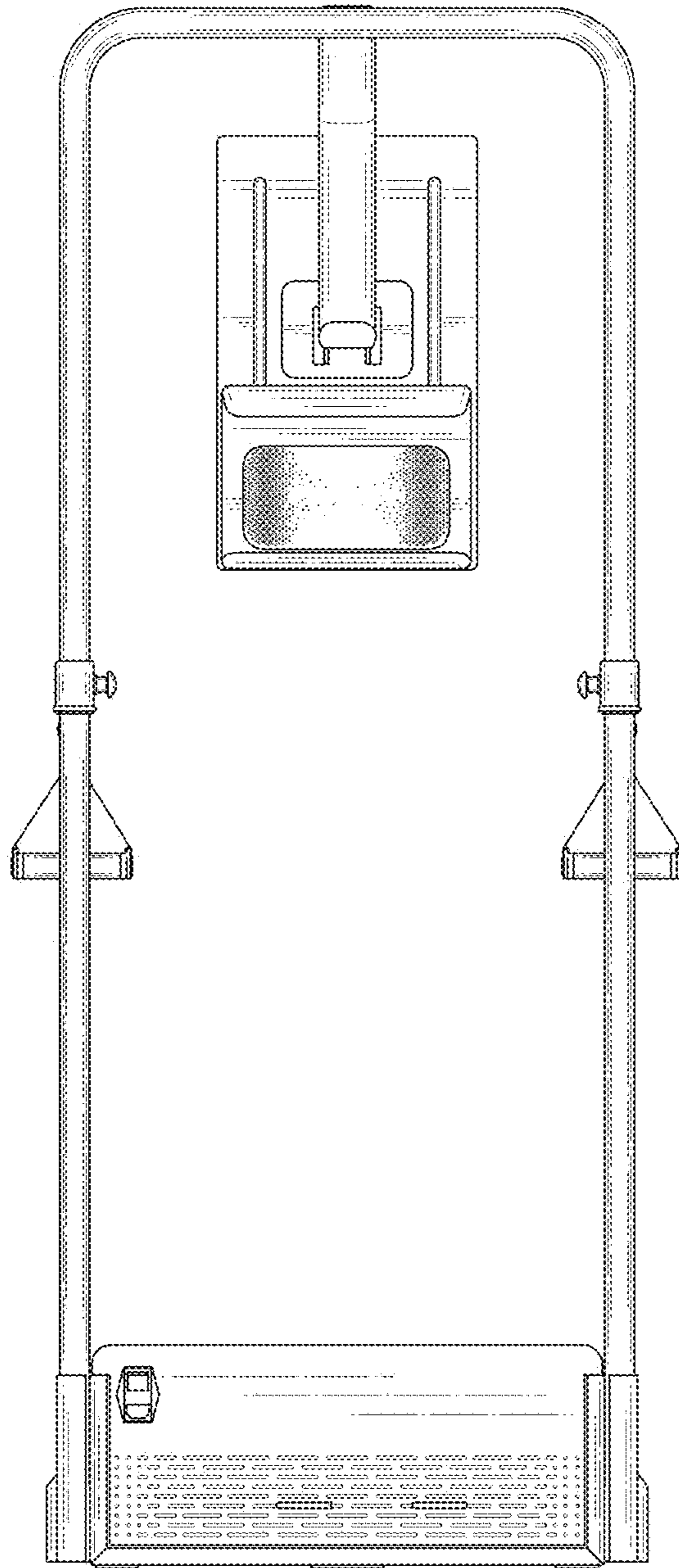


FIG.5

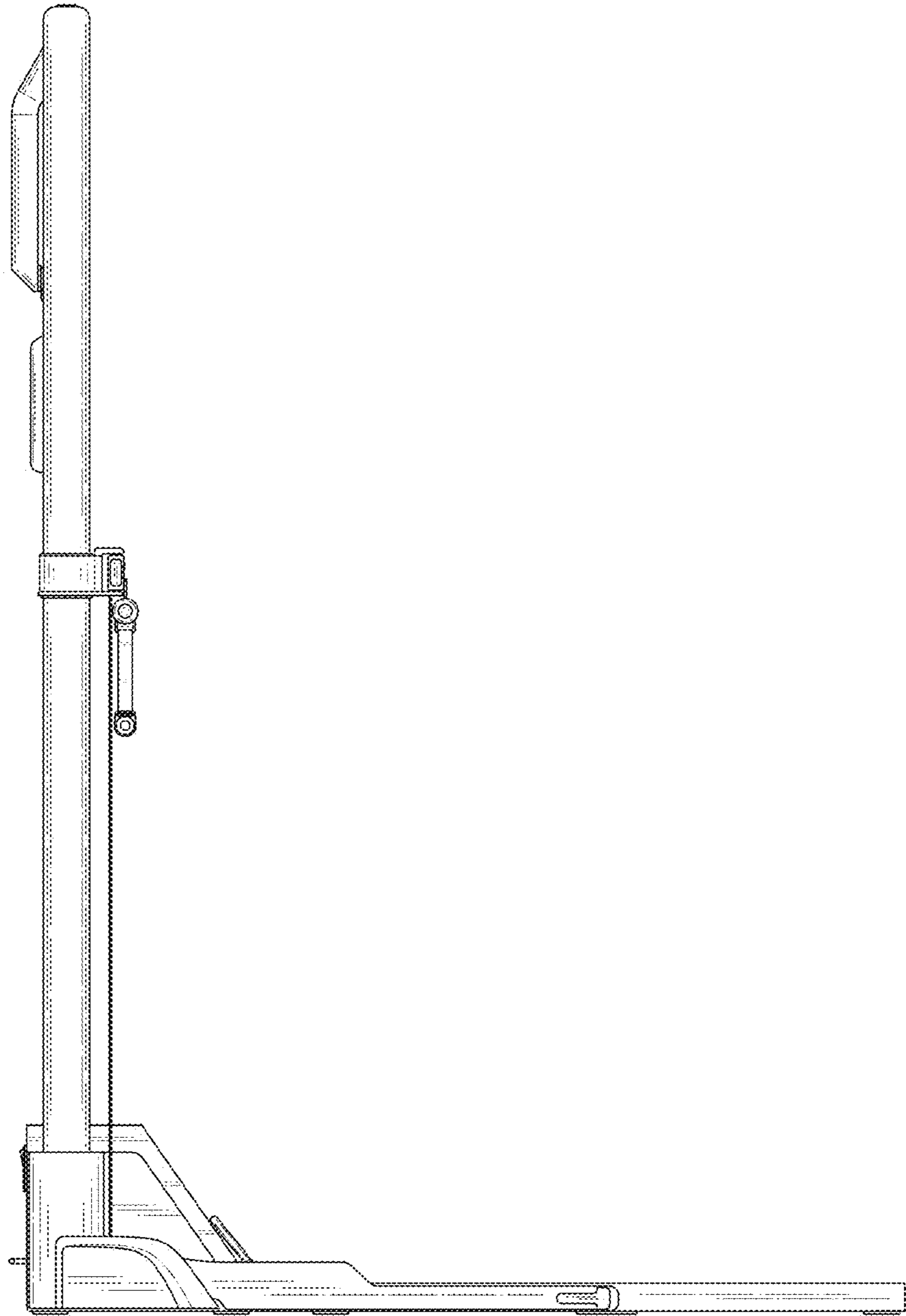


FIG.6

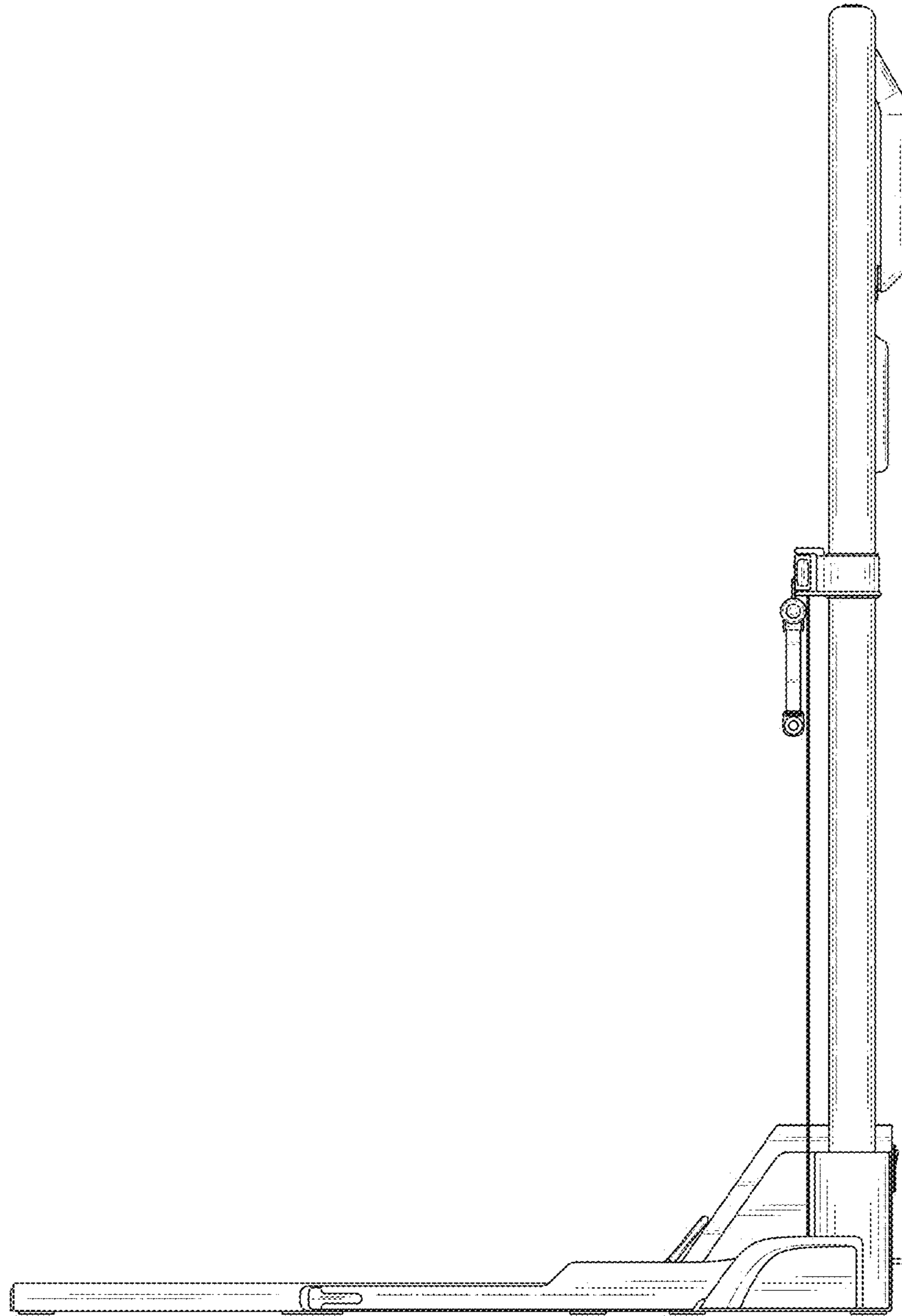


FIG.7

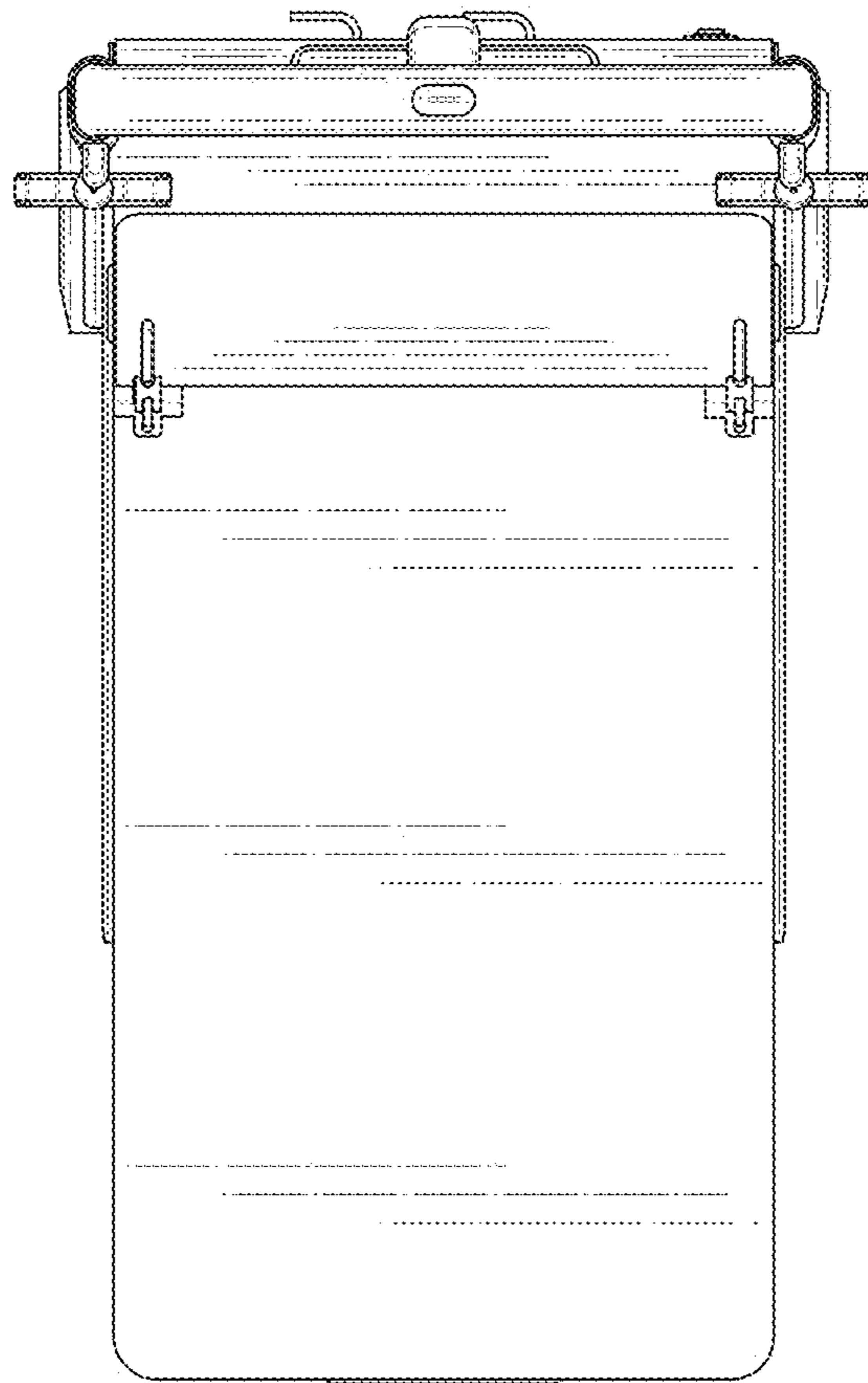


FIG.8

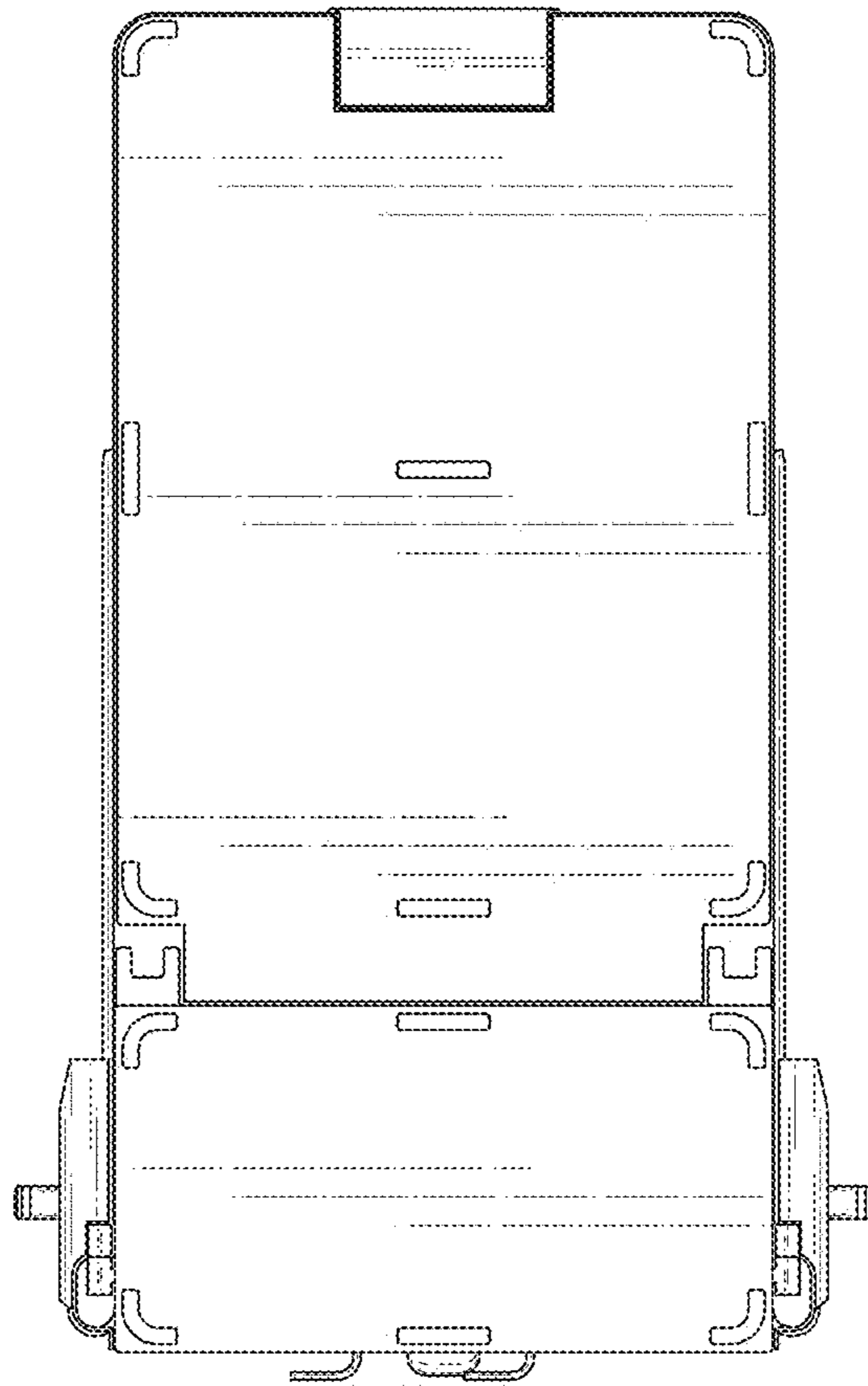


FIG. 9

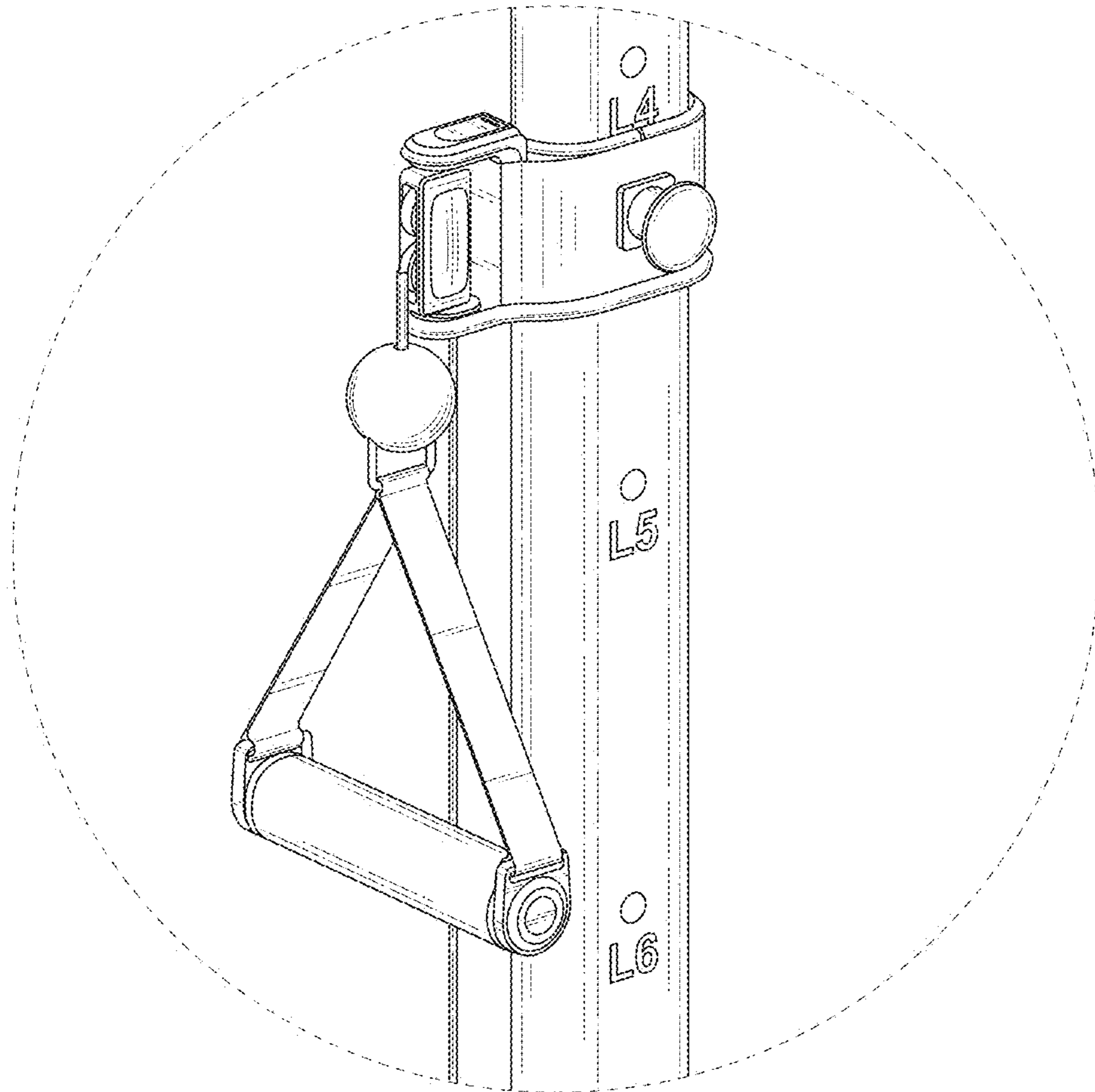


FIG. 10

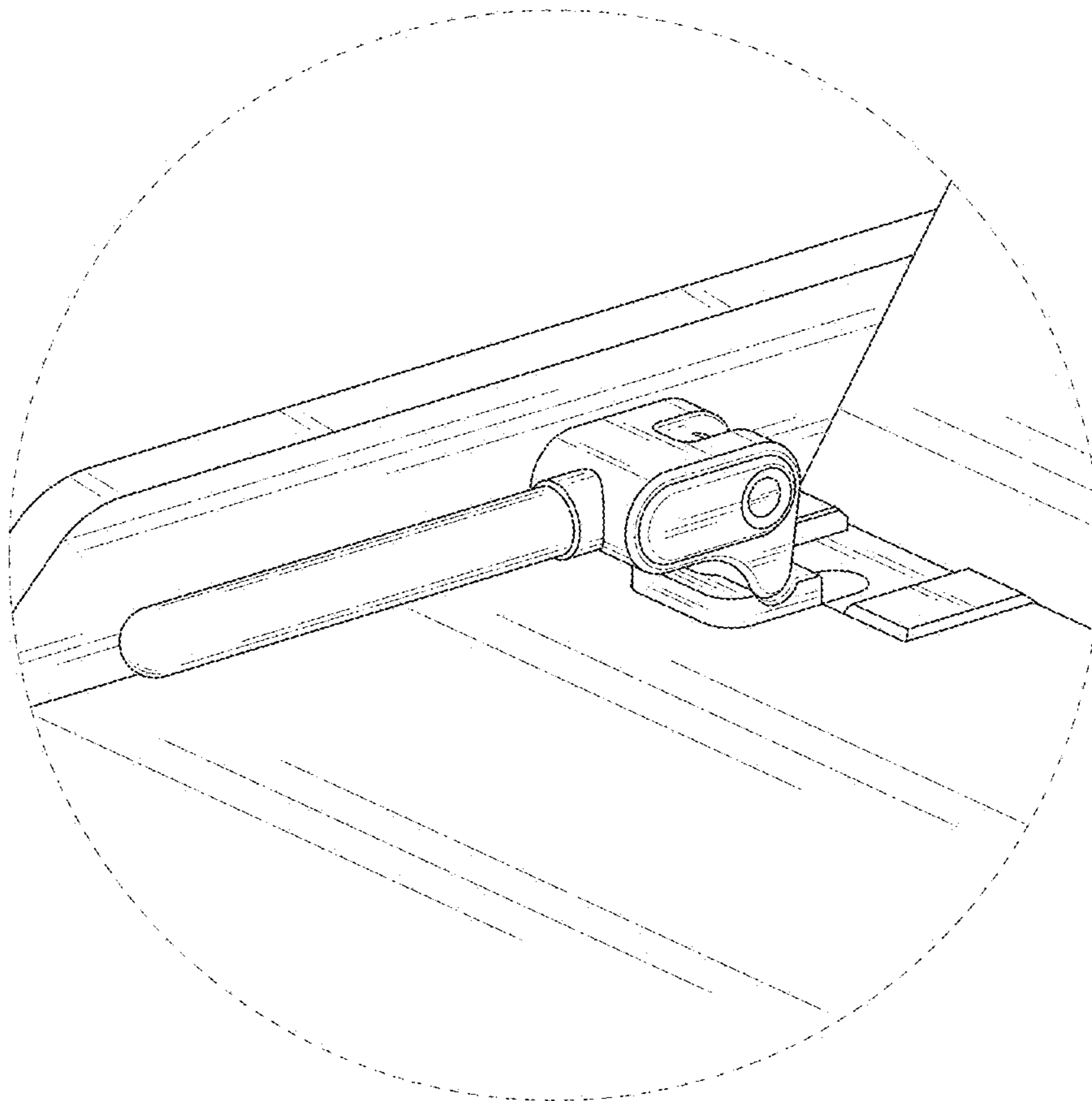


FIG.11

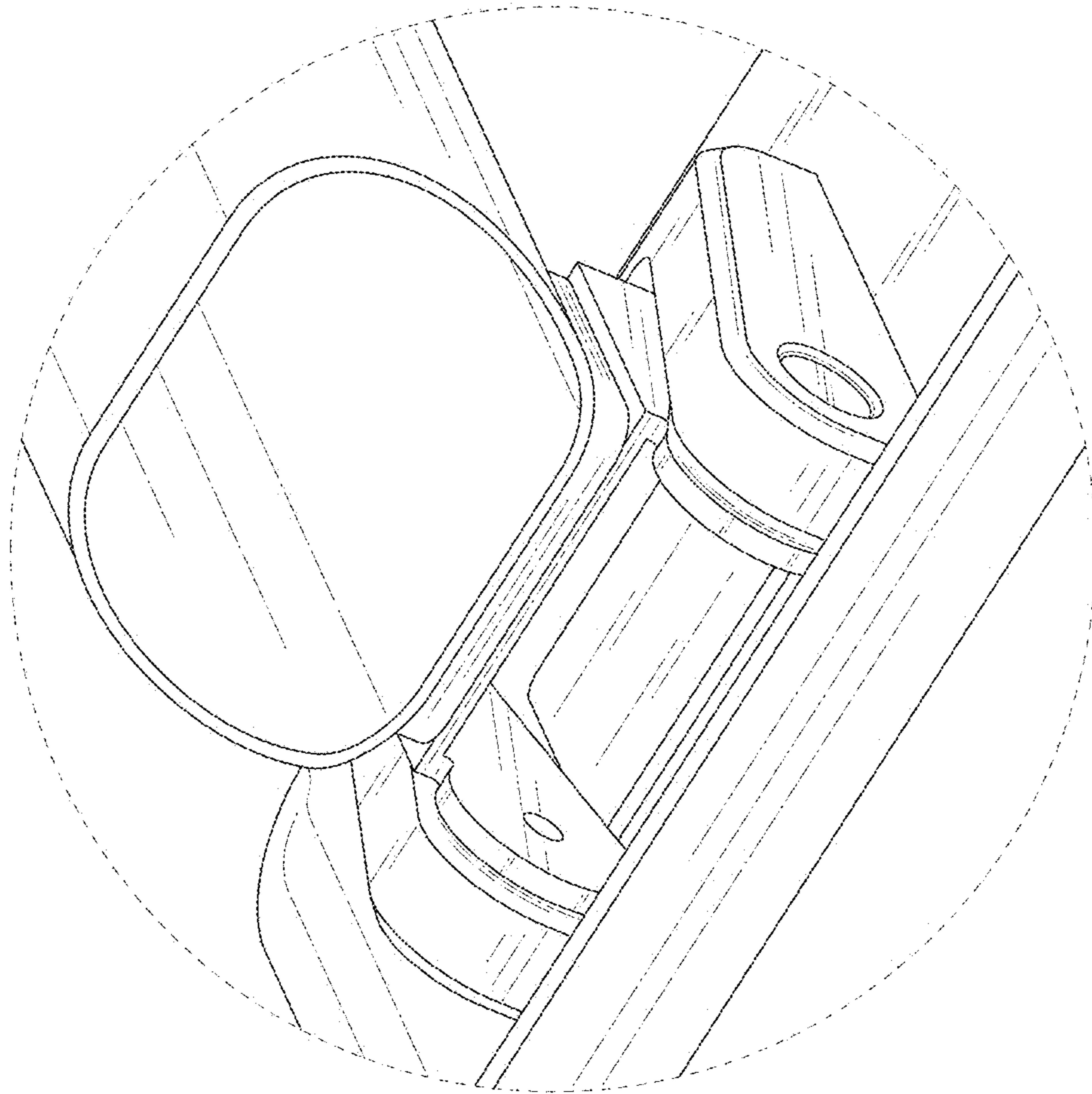


FIG. 12