



US00D987746S

(12) **United States Design Patent** (10) **Patent No.:** **US D987,746 S**
Wang (45) **Date of Patent:** **** May 30, 2023**

(54) **PUSH UP DEVICE**
(71) Applicant: **BETO ENGINEERING AND MARKETING CO., LTD.**, Taichung (TW)

D393,576 S * 4/1998 Wong D7/678
6,186,930 B1 * 2/2001 Ignaczak A63B 21/4035
482/141
D441,413 S * 5/2001 Cataldi, Jr. D21/692
(Continued)

(72) Inventor: **Lopin Wang**, Taichung (TW)
(73) Assignee: **BETO ENGINEERING AND MARKETING CO., LTD.**, Taichung (TW)

FOREIGN PATENT DOCUMENTS

CN 305821656 * 6/2020
CN 306649361 * 6/2021
(Continued)

(**) Term: **15 Years**
(21) Appl. No.: **29/768,290**
(22) Filed: **Jan. 28, 2021**

OTHER PUBLICATIONS

The Push Up Machine Promo, available on Youtube.com, date posted Dec. 2, 2019, [site visited Jul. 12, 2022], URL: https://www.youtube.com/watch?v=D_Vduapqqgs (Year: 2019).*
(Continued)

(30) **Foreign Application Priority Data**

Aug. 5, 2020 (TW) 109304383

(51) **LOC (14) Cl.** **21-02**
(52) **U.S. Cl.**
USPC **D21/686**; D21/692

Primary Examiner — Cary M Robinson
Assistant Examiner — Emily Anna Saunders
(74) *Attorney, Agent, or Firm* — Muncy, Geissler, Olds & Lowe, P.C.

(58) **Field of Classification Search**
USPC D21/662, 668, 670, 671, 673, 684, 686,
D21/688, 690, 692; D8/14; D14/209.1;
D7/408, 669, 672, 678
CPC A63B 23/12; A63B 23/1236; A63B
23/03533; A63B 21/4035; A63B 21/068;
A63B 21/00185
See application file for complete search history.

(57) **CLAIM**

The ornamental design for a push up device, as shown and described.

DESCRIPTION

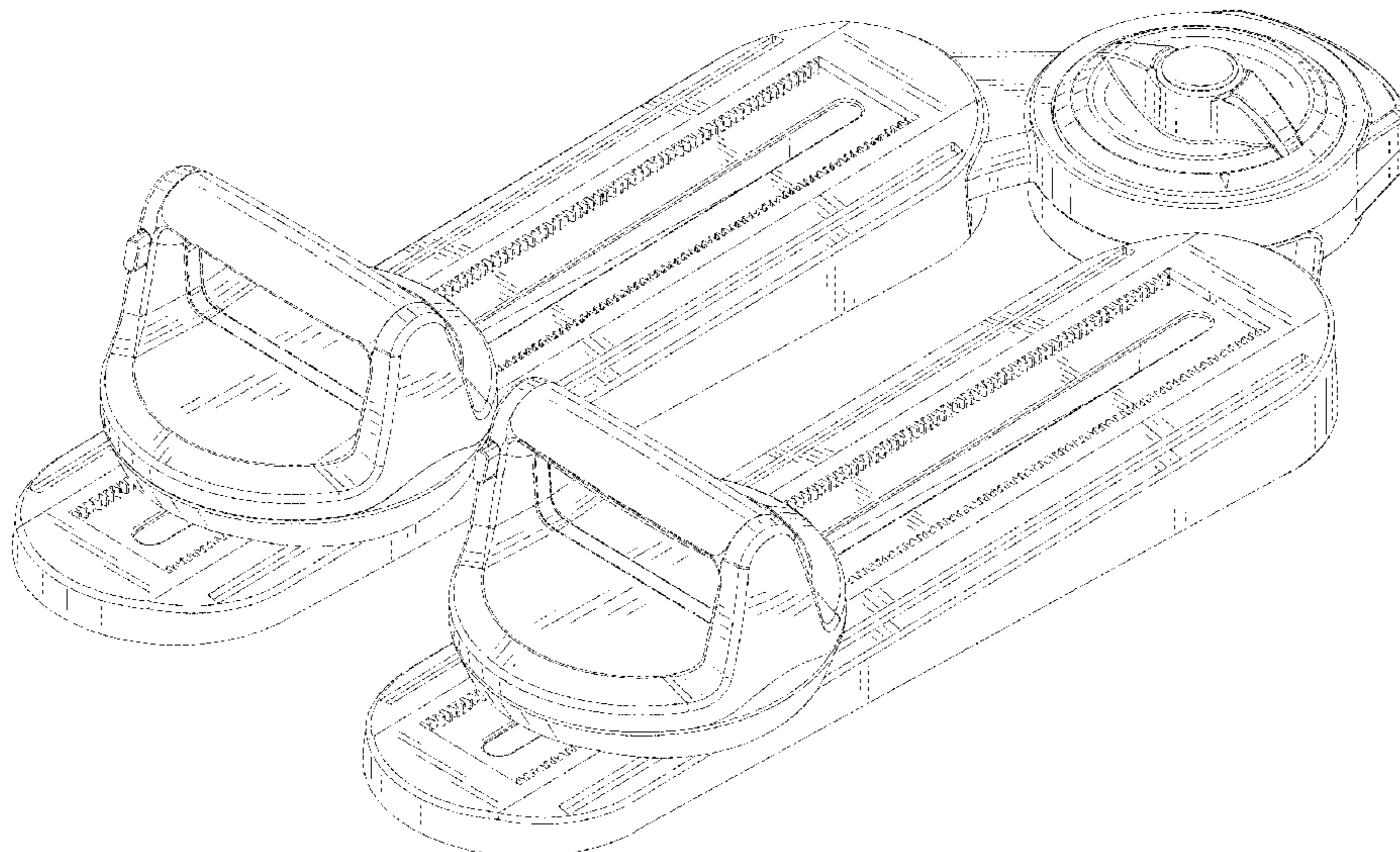
FIG. 1 is a perspective view of a push up device showing my new design;
FIG. 2 is a front elevational view thereof;
FIG. 3 is a rear elevational view thereof;
FIG. 4 is a left side elevational view thereof;
FIG. 5 is a right side elevational view thereof;
FIG. 6 is a top plan view thereof; and,
FIG. 7 is a perspective view of the design in a state of use. The dashed broken lines depict portions of the push up device in which the design is embodied that form no part of the claimed design.

(56) **References Cited**

U.S. PATENT DOCUMENTS

4,610,448 A * 9/1986 Hill A63B 21/4035
482/141
4,768,778 A * 9/1988 Thomas, Jr. A63B 23/14
482/141
D325,152 S * 4/1992 Poole D8/14
D334,875 S * 4/1993 Behnke D7/678

1 Claim, 6 Drawing Sheets



(56)

References Cited

U.S. PATENT DOCUMENTS

D459,958 S * 7/2002 Smith D8/51
 6,716,145 B1 * 4/2004 Manailovich A63B 21/4035
 482/141
 7,125,367 B1 * 10/2006 Stearns A63B 23/1245
 482/141
 D623,244 S * 9/2010 Hoffman D21/668
 D626,186 S * 10/2010 Tsai D21/668
 D689,569 S * 9/2013 Kerdjoudj D21/668
 D719,223 S * 12/2014 Tang D21/662
 D904,535 S * 12/2020 Li D21/686
 D951,377 S * 5/2022 Li D21/686
 11,491,368 B2 * 11/2022 Hao A63B 23/1236
 2006/0030463 A1 * 2/2006 Maloy A63B 23/1209
 482/126
 2010/0267528 A1 * 10/2010 Paris A63B 21/0004
 482/111
 2014/0141949 A1 * 5/2014 Mills A63B 21/4045
 482/140
 2019/0358486 A1 * 11/2019 Higginbotham, III
 A63B 21/4035
 2022/0008785 A1 * 1/2022 Hao A63B 21/4035
 2022/0072368 A1 * 3/2022 Wang A63B 23/1236

FOREIGN PATENT DOCUMENTS

CN 306705533 * 7/2021
 JP D1681324 * 3/2021

OTHER PUBLICATIONS

Iron Chest Master Push Up Machine, available on Amazon.com, date first available Jun. 1, 2015, [site visited Jul. 12, 2022], URL: <https://www.amazon.com/dp/B00YNGKN9U/> (Year: 2015).*

Push-Up Board, available on Alibaba, oldest customer review May 6, 2020, [site visited Jul. 12, 2022], URL: https://www.alibaba.com/product-detail/Push-Up-Board-For-Upper-Body_62551442565.html (Year: 2020).*

Uukee Push Up Bar, available on amazon.com, date first available Sep. 10, 2020, [site visited Jul. 12, 2022], URL: <https://www.amazon.com/UUKEE-Upgrated-Exercise-Equipment-Adjustable/dp/B08HS2GJKP> (Year: 2020).*

Fitness Pump Push Ups Machine, available on Youtube.com, date posted Feb. 20, 2018, [site visited Jul. 12, 2022], URL: <https://www.youtube.com/watch?v=bluuXc9Wbto> (Year: 2018).*

YIGM 360° Rotation Push Up Board, available on Youtube.com, date first available Apr. 3, 2021, [site visited Jul. 12, 2022], URL: <https://www.amazon.com/YIGM-Rotation-Upgrated-Exercise-Equipment/dp/B091N7R4QY/> (Year: 2021).*

* cited by examiner

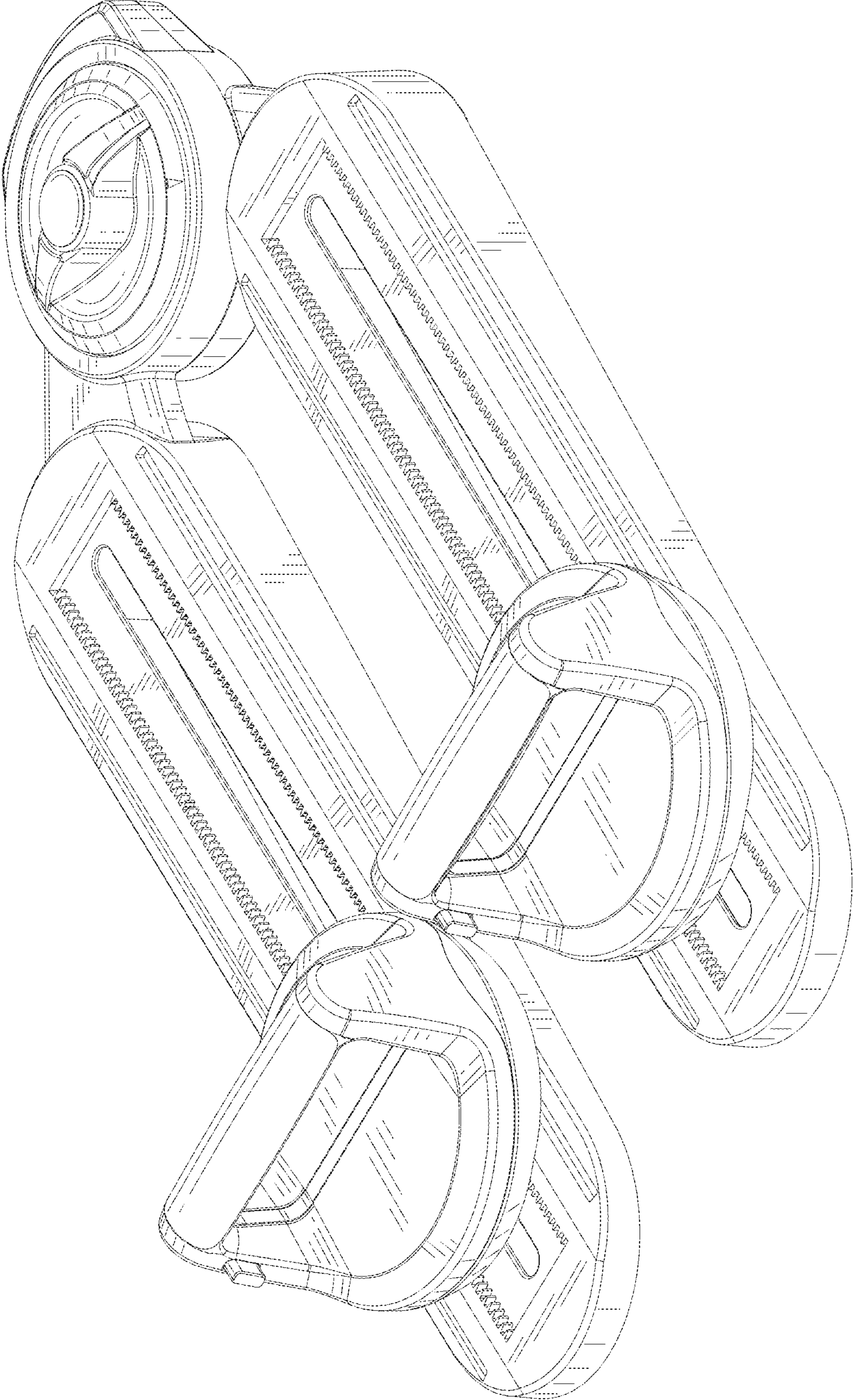


FIG.1

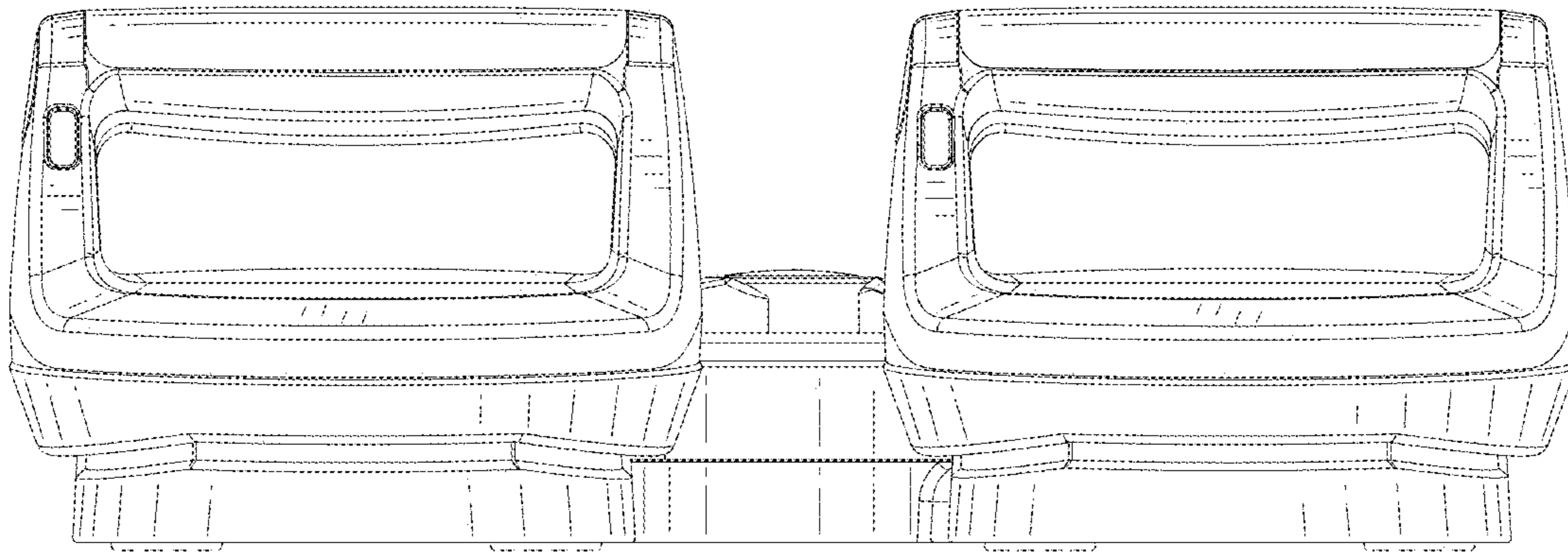


FIG. 2

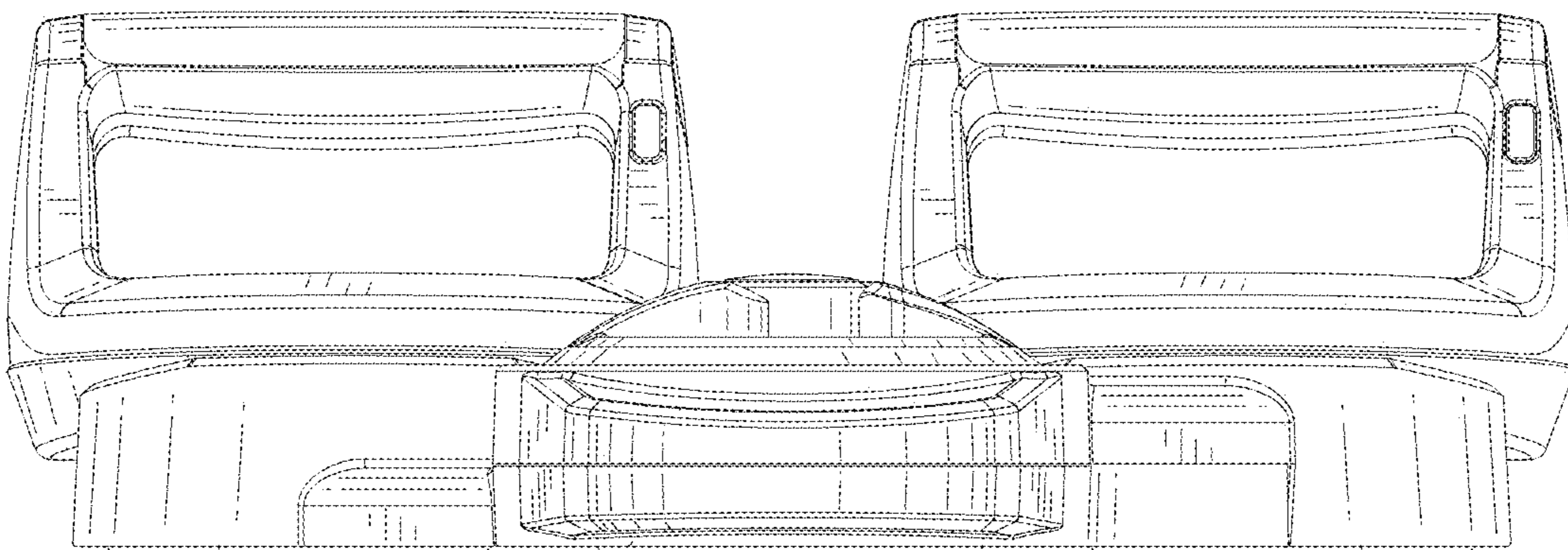


FIG. 3

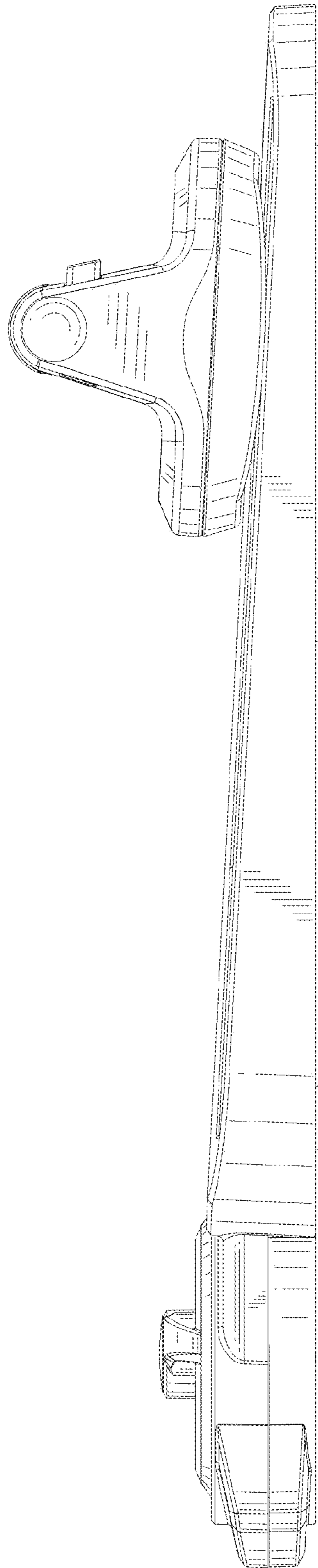


FIG.4

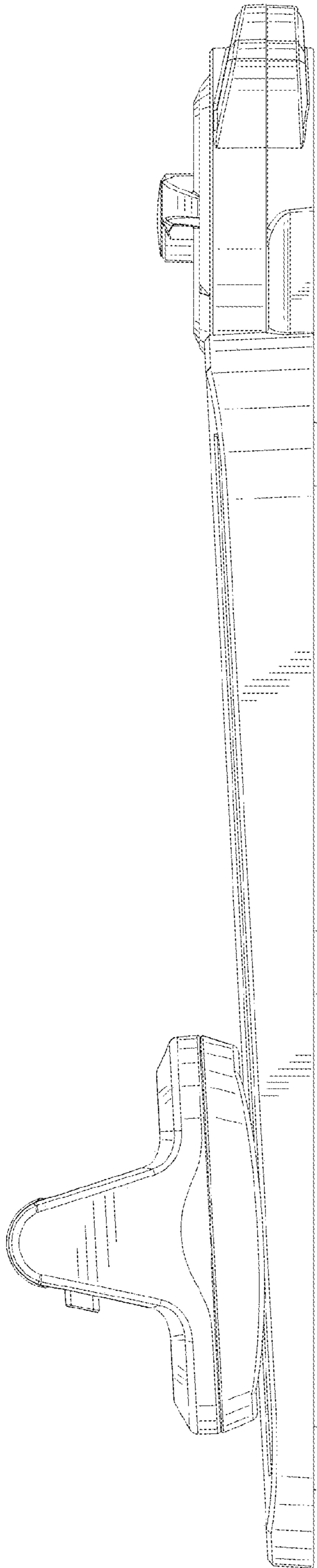


FIG.5

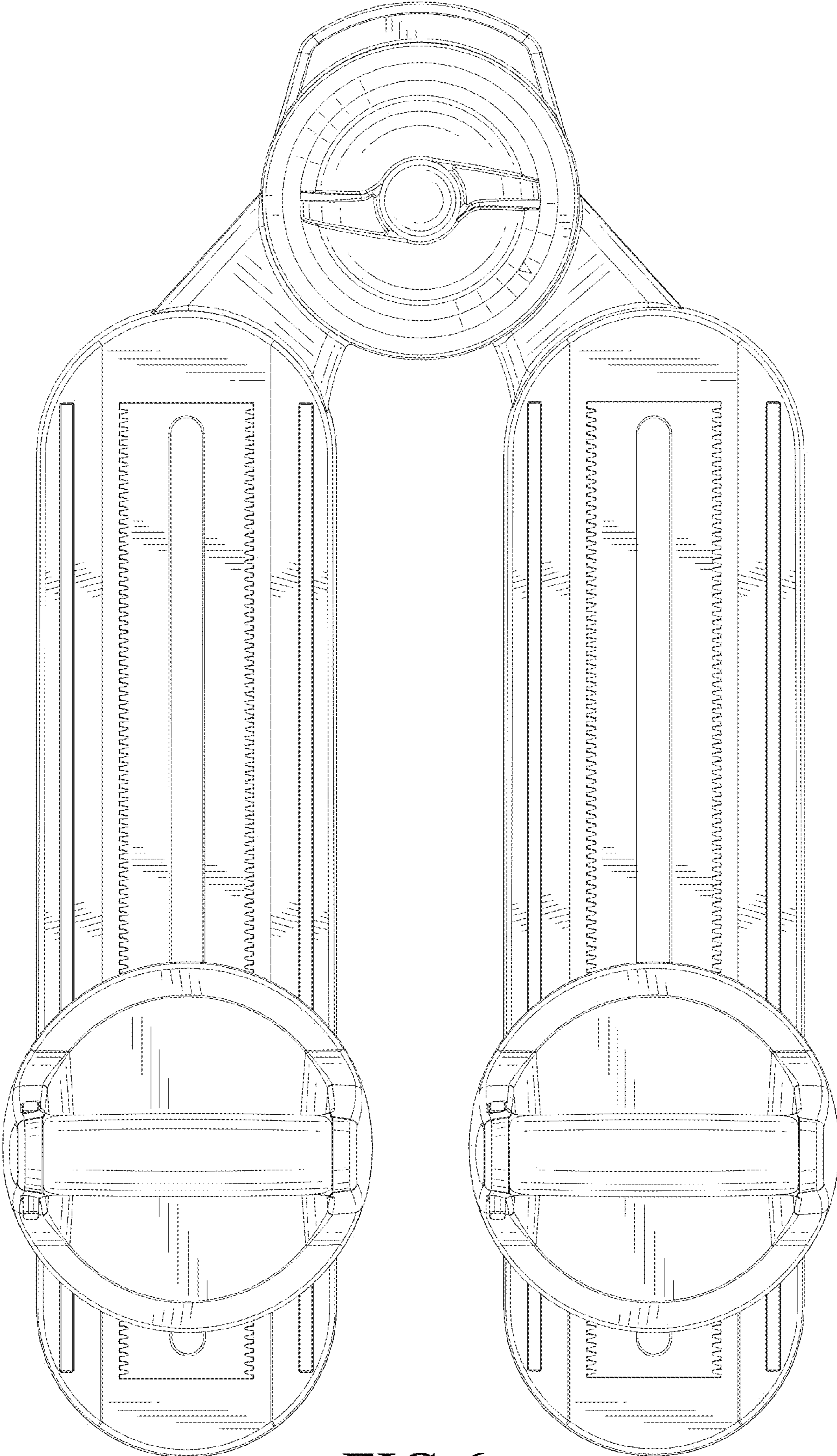


FIG.6

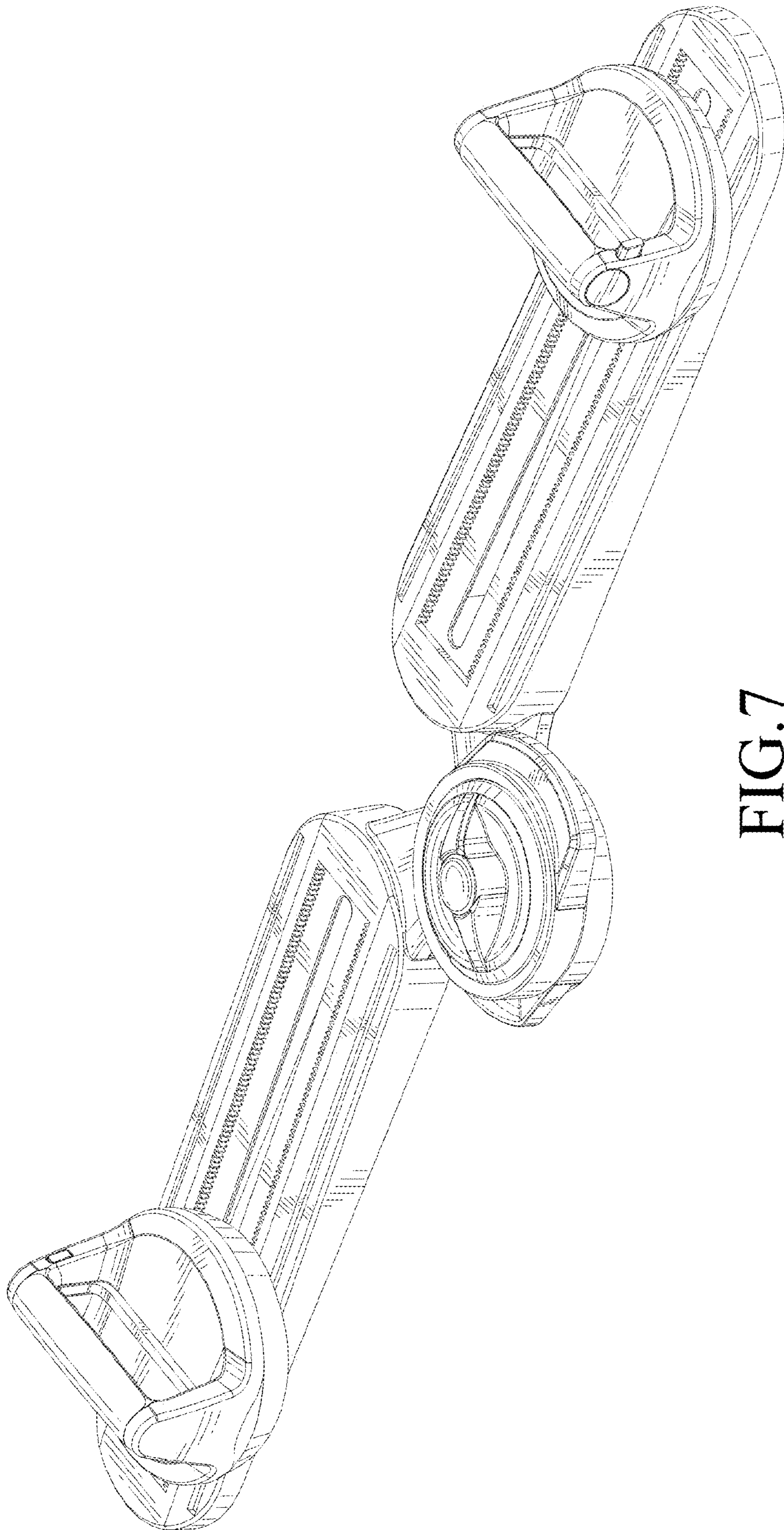


FIG. 7