



US00D987745S

(12) **United States Design Patent**
Hong

(10) **Patent No.:** **US D987,745 S**

(45) **Date of Patent:** **** May 30, 2023**

(54) **DUMBBELL SET**

(71) Applicant: **Guonian Hong**, Zhejiang (CN)

(72) Inventor: **Guonian Hong**, Zhejiang (CN)

(**) Term: **15 Years**

(21) Appl. No.: **29/799,274**

(22) Filed: **Jul. 13, 2021**

(30) **Foreign Application Priority Data**

Apr. 30, 2021 (CN) 202130261007.X

(51) **LOC (14) Cl.** **21-02**

(52) **U.S. Cl.**
USPC **D21/681**

(58) **Field of Classification Search**
USPC D6/552; D21/662, 667-682, 685, 686,
D21/692, 694
CPC A63B 2220/12; A63B 21/062; A63B
2220/13; A63B 69/3632; A63B 21/075;
A63B 21/063; A63B 21/0628; A63B
21/0724

See application file for complete search history.

(56) **References Cited**

U.S. PATENT DOCUMENTS

D271,408 S * 11/1983 Bauer D21/681
D528,611 S * 9/2006 Flick D21/681

(Continued)

FOREIGN PATENT DOCUMENTS

CN 307194244 * 3/2022

OTHER PUBLICATIONS

AtivaFit Adjustable Dumbbell Weights, first available Jul. 30, 2019, amazon.com [online], site visited [Mar. 29, 2022], Available from internet URL: <https://amzn.to/3LA8rx1> (Year: 2019).*

(Continued)

Primary Examiner — Jack Reickel
Assistant Examiner — Salamah Jordan

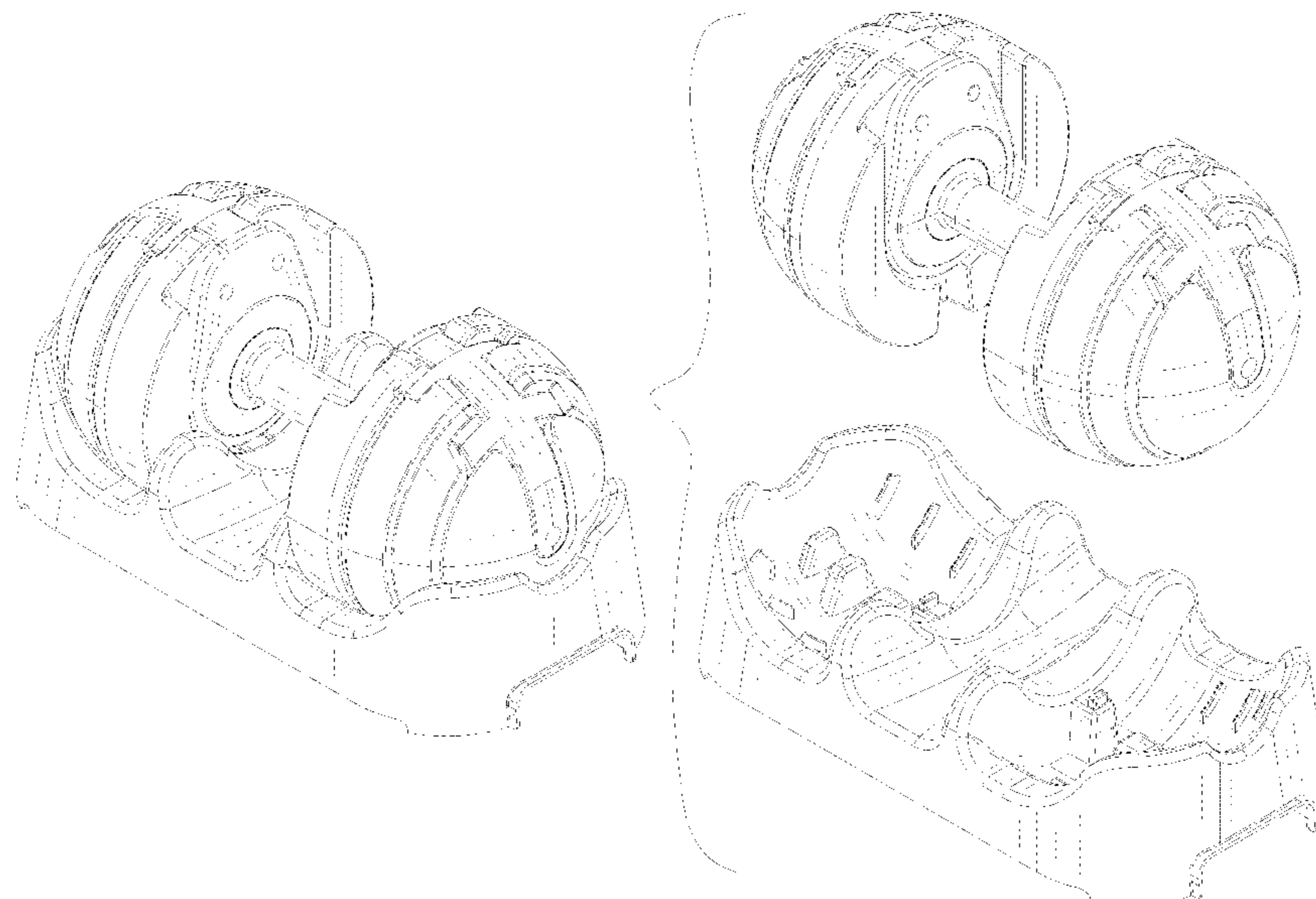
(57) **CLAIM**

The ornamental design for a dumbbell set, as shown and described.

DESCRIPTION

FIG. 1 is a perspective view of a dumbbell set, containing a dumbbell and a dumbbell rack showing my new design; FIG. 2 is an exploded view thereof; FIG. 3 is a perspective view of the dumbbell depicted in FIG. 2; FIG. 4 is a front view of the dumbbell depicted in FIG. 2; FIG. 5 is a left side view of the dumbbell depicted in FIG. 2; FIG. 6 is a top view of the dumbbell depicted in FIG. 2; FIG. 7 is a bottom view of the dumbbell depicted in FIG. 2; FIG. 8 is a perspective view of the dumbbell rack depicted in FIG. 2; FIG. 9 is a front view of the dumbbell rack depicted in FIG. 2; FIG. 10 is a left side view of the dumbbell rack depicted in FIG. 2; FIG. 11 is a top view of the dumbbell rack depicted in FIG. 2; and, FIG. 12 is a bottom view of the dumbbell rack depicted in FIG. 2. The back view and the right view of FIG. 3 are omitted as they are mirror images of the front view and the left view respectively. The back view and the right view of FIG. 8 are omitted as they are the same as the front view and the left view respectively. The broken lines shown on the drawings depict portions of the dumbbell set that form no part of the claimed design.

1 Claim, 12 Drawing Sheets



(56)

References Cited

U.S. PATENT DOCUMENTS

D540,405 S * 4/2007 Crawford D21/681
 D540,894 S * 4/2007 Crawford D21/681
 RE40,430 E * 7/2008 Markham A01K 15/026
 119/707
 D610,636 S * 2/2010 Golesh D21/681
 D663,795 S * 7/2012 Hillson D21/681
 D685,442 S * 7/2013 Childs D21/681
 D692,072 S * 10/2013 Childs D21/681
 D697,148 S * 1/2014 Lin D21/681
 9,039,586 B2 * 5/2015 Januszek A63B 21/0724
 482/106
 D736,868 S * 8/2015 Lien D21/681
 D743,713 S * 11/2015 Flick D6/552
 D753,247 S * 4/2016 Flick D21/681
 D896,324 S * 9/2020 Yu D21/681
 D901,609 S * 11/2020 Schough D21/681
 D922,504 S * 6/2021 Wang D21/680
 D927,611 S * 8/2021 Wang D21/680

D930,091 S * 9/2021 Wang D21/681
 11,285,354 B1 * 3/2022 Tseng A63B 21/0726
 D952,771 S * 5/2022 Lu D21/681
 D962,363 S * 8/2022 Weng D21/681
 D965,709 S * 10/2022 Weng D21/681
 D966,442 S * 10/2022 Weng D21/681
 D966,443 S * 10/2022 Weng D21/681

OTHER PUBLICATIONS

“Bayou Fitness Adjustable Dumbbell” Jan. 23, 2007, Amazon, site visited Dec. 16, 2022: <https://amzn.to/3tv4oM7> (Year: 2007).
 “ACCPO Adjustable Dumbbells Set” Dec. 9, 2021, Amazon, site visited Dec. 16, 2022: <https://amzn.to/3xMZnAW> (Year: 2021).
 “Bowflex Dumbbell Review” Jul. 23, 2019, Youtube, site visited Dec. 16, 2022: <https://www.youtube.com/watch?v=G82oAaiWQ11> (Year: 2019).
 “Adjustable Dumbbell” Jul. 27, 2022, Amazon, site visited Mar. 23, 2023: <https://www.amazon.com/dp/B0B12J3GF7> (Year: 2022).

* cited by examiner

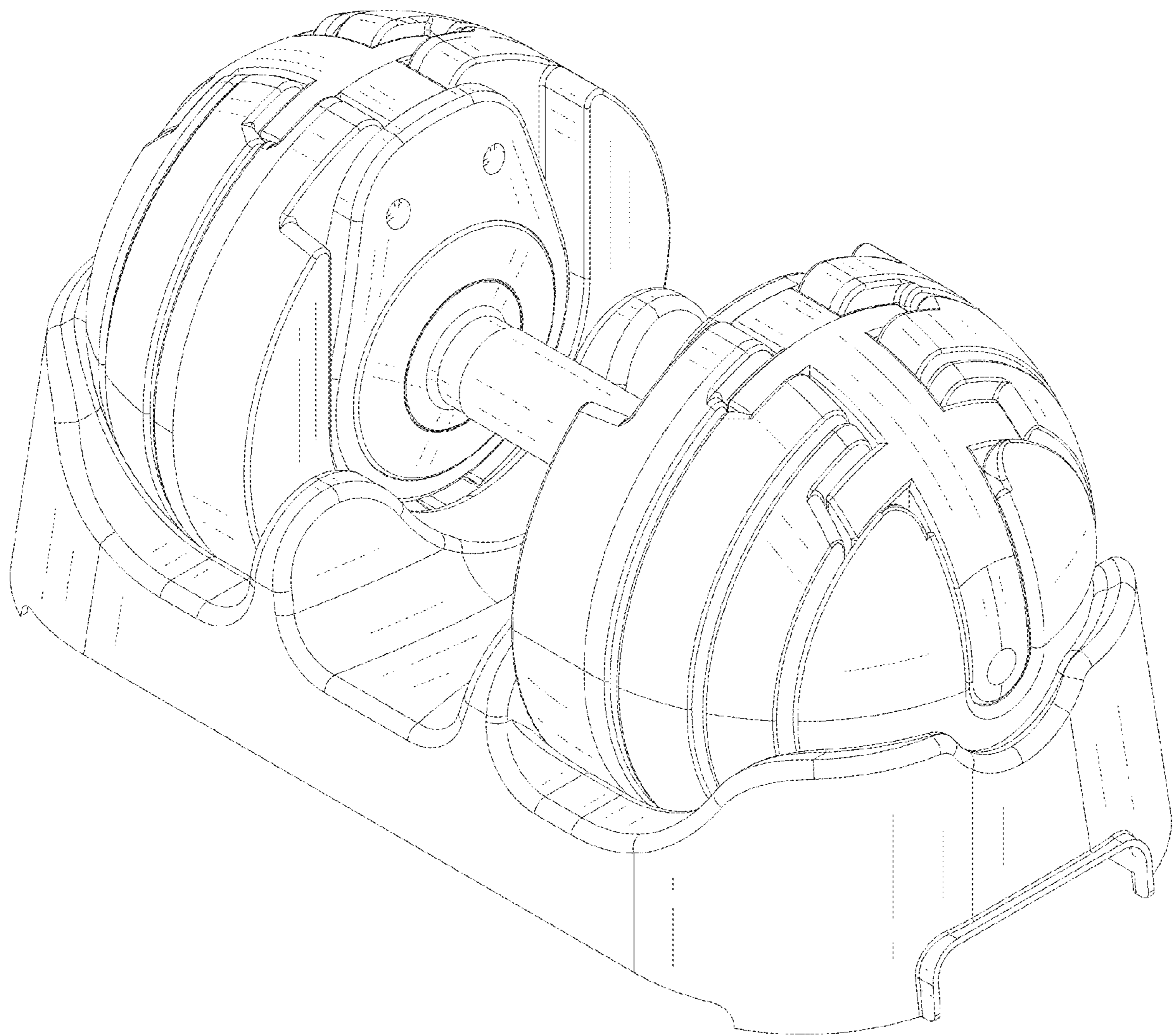


FIG. 1

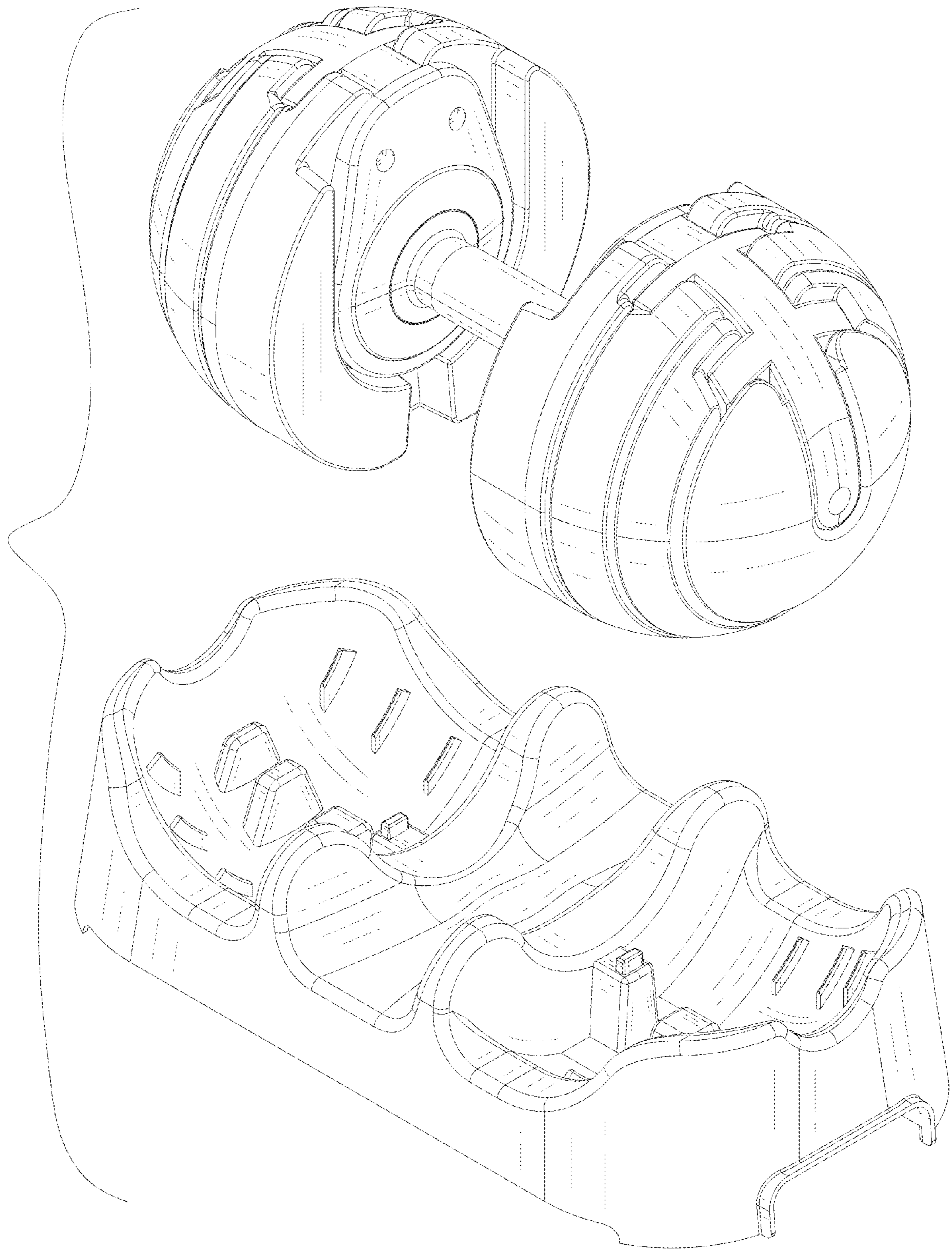


FIG. 2

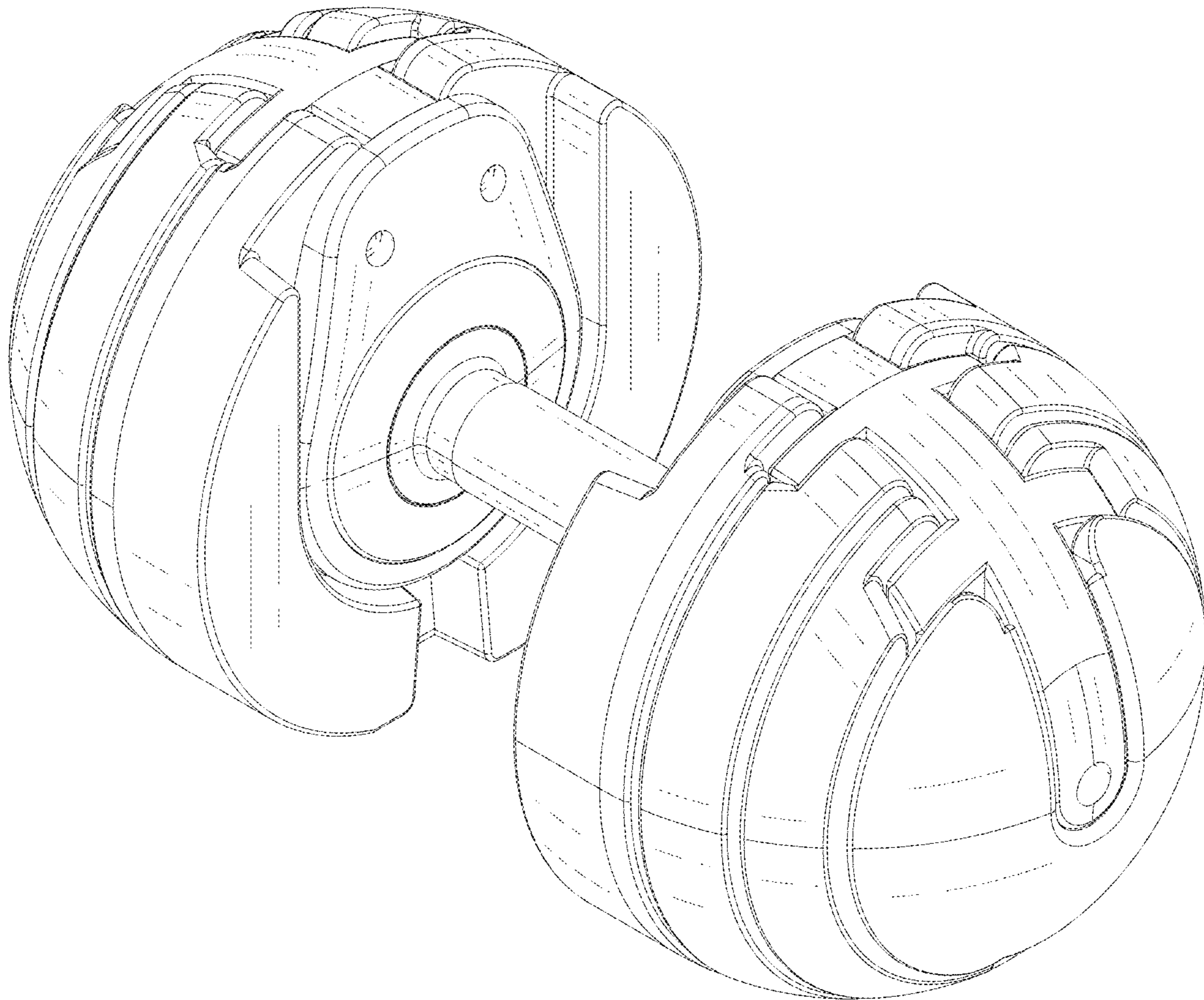


FIG. 3

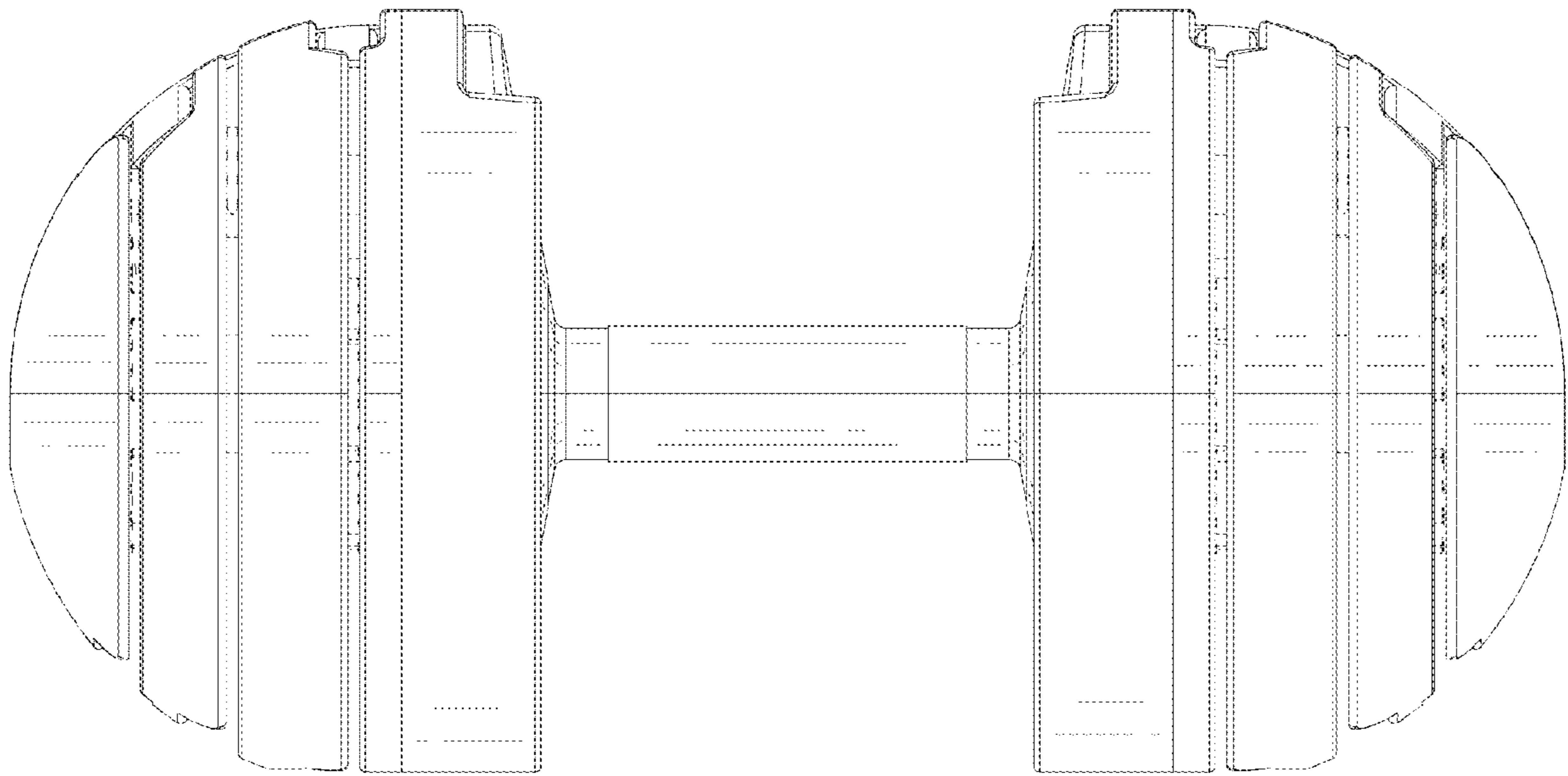


FIG. 4

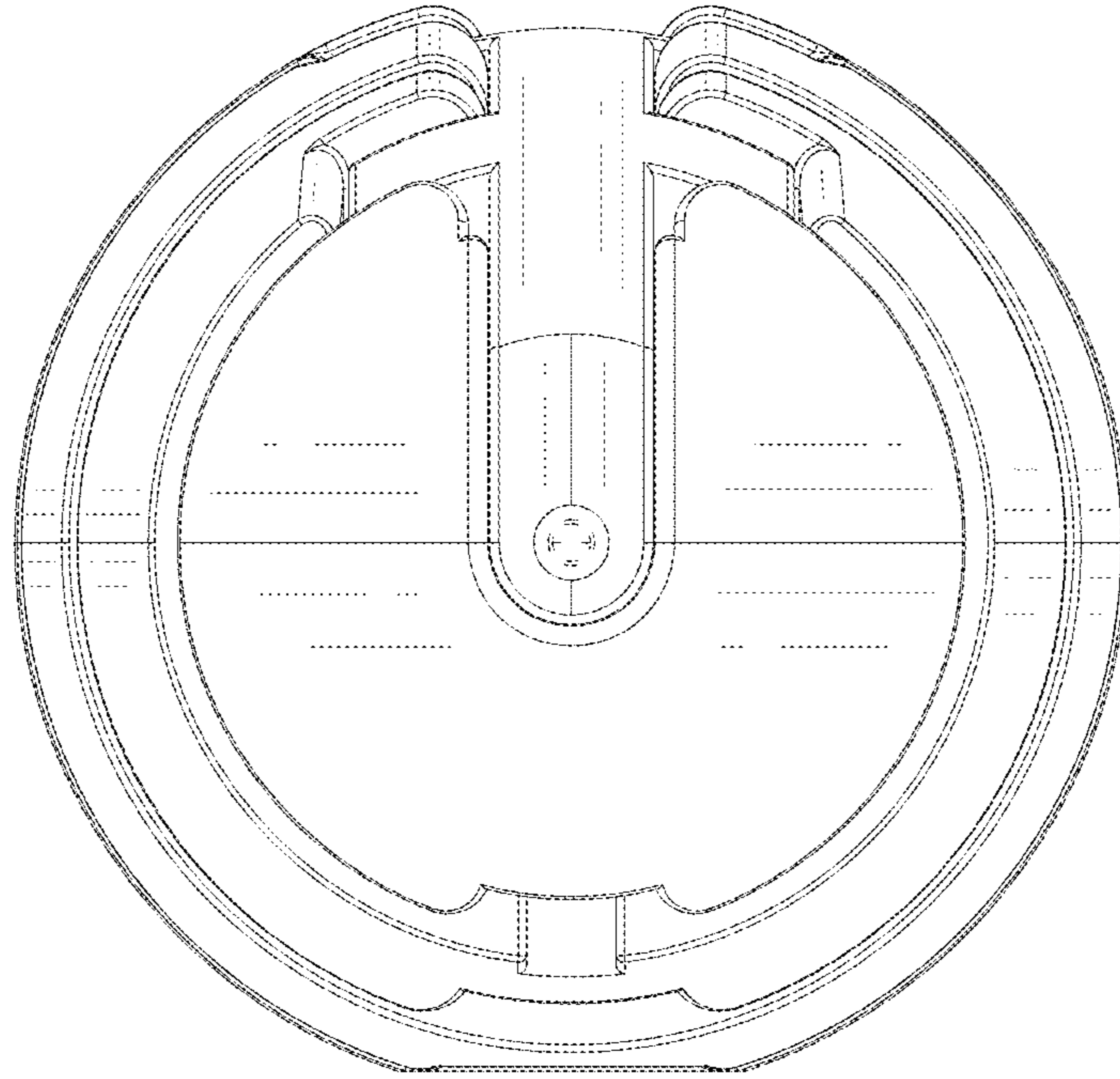


FIG. 5

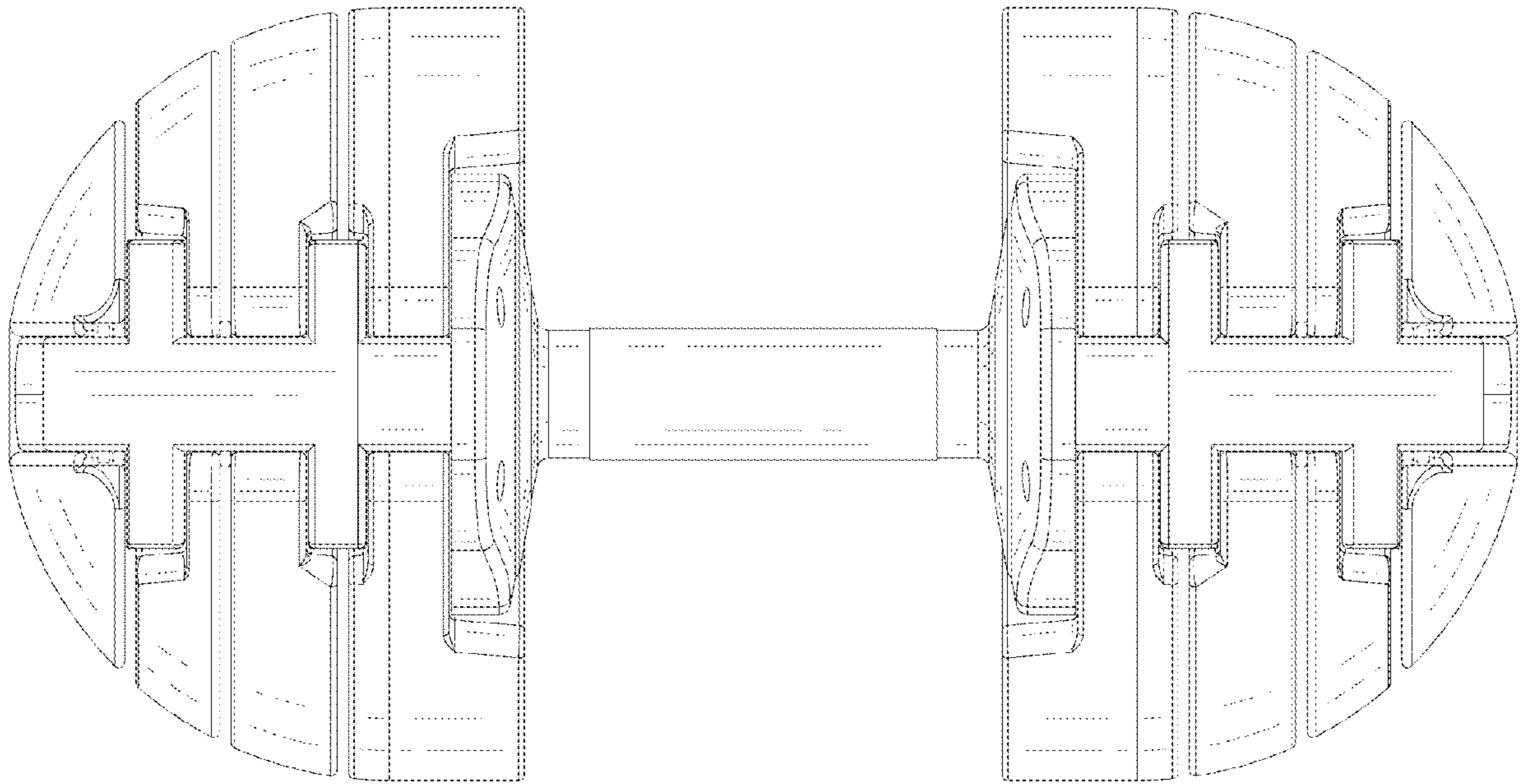


FIG. 6

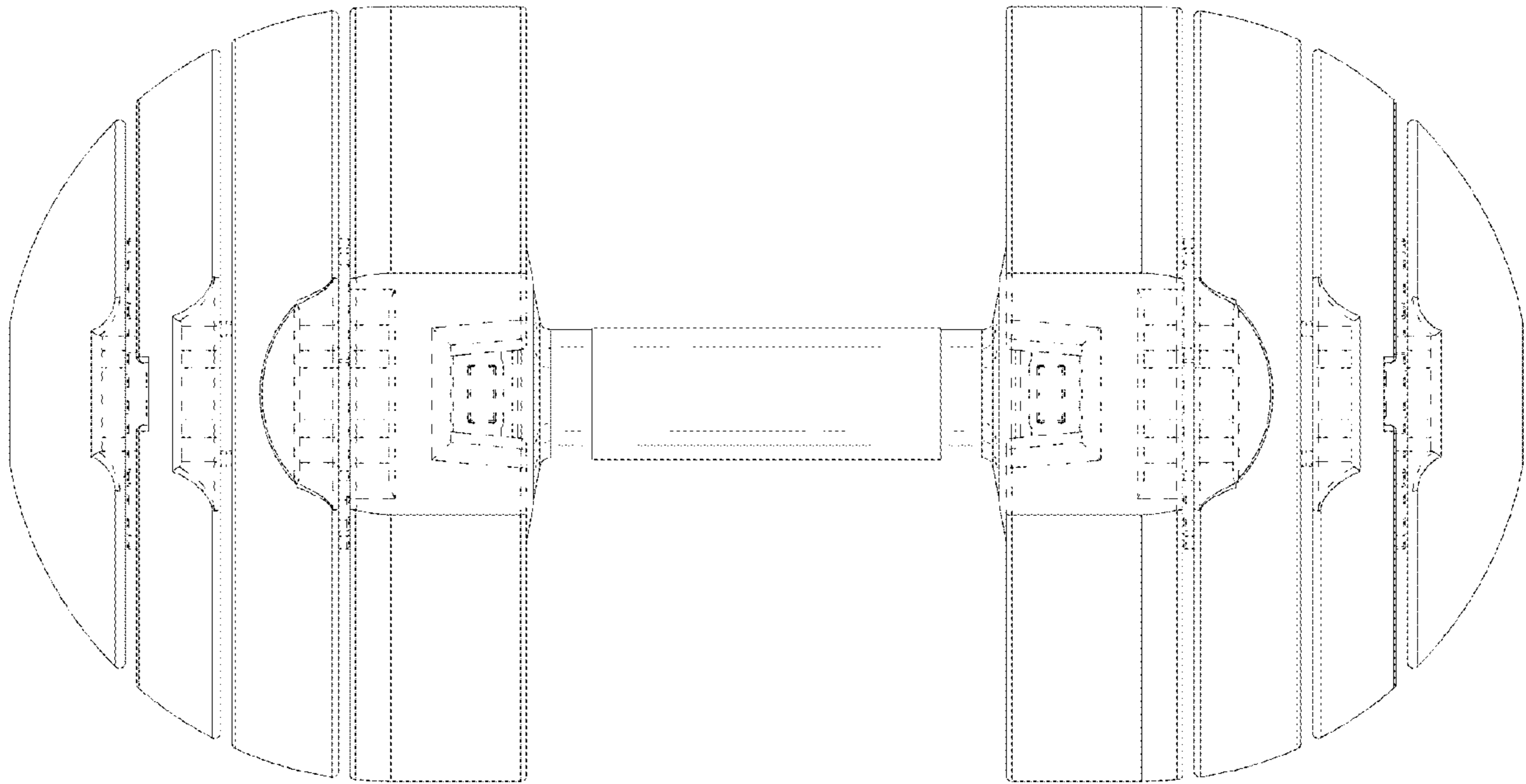


FIG. 7

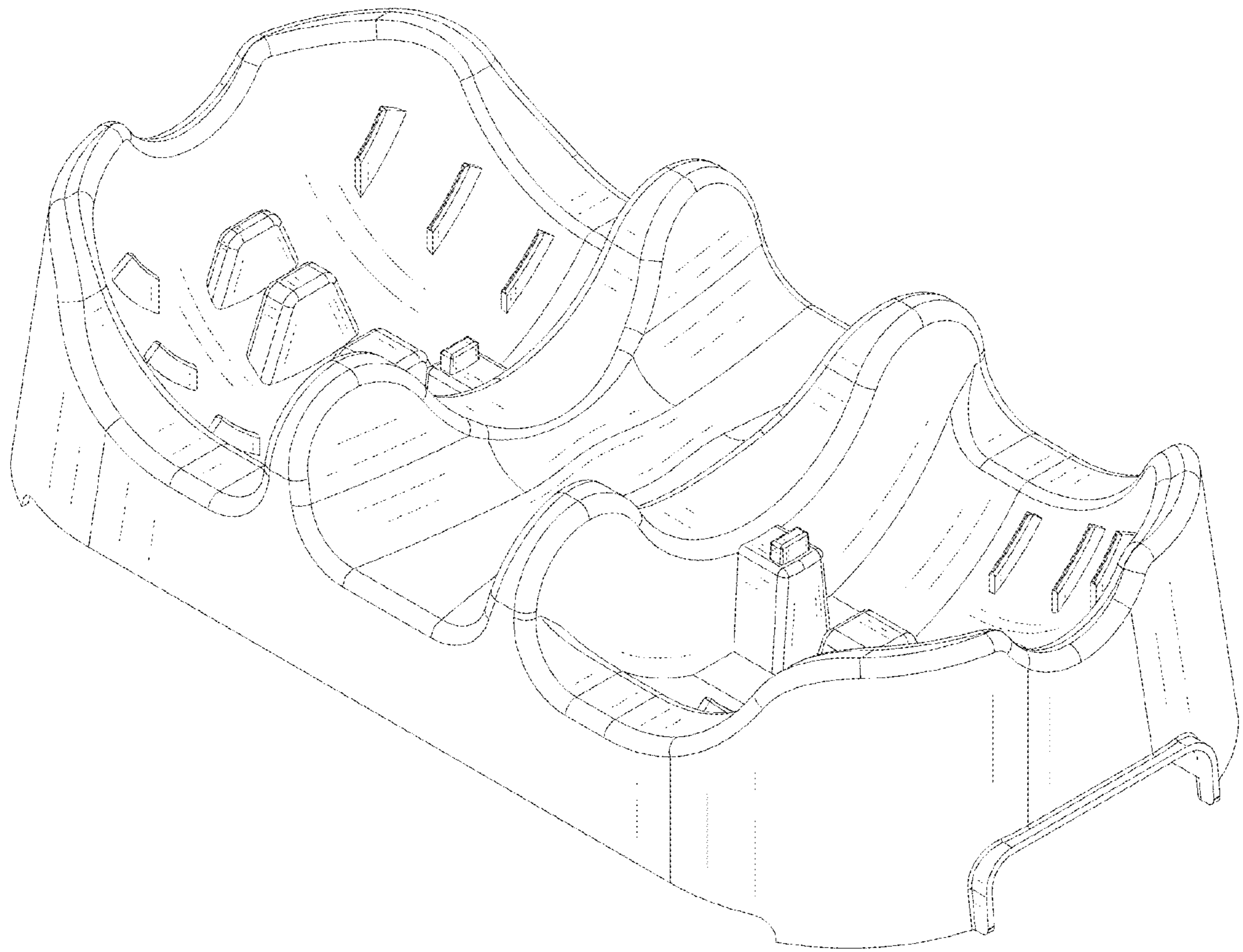


FIG. 8

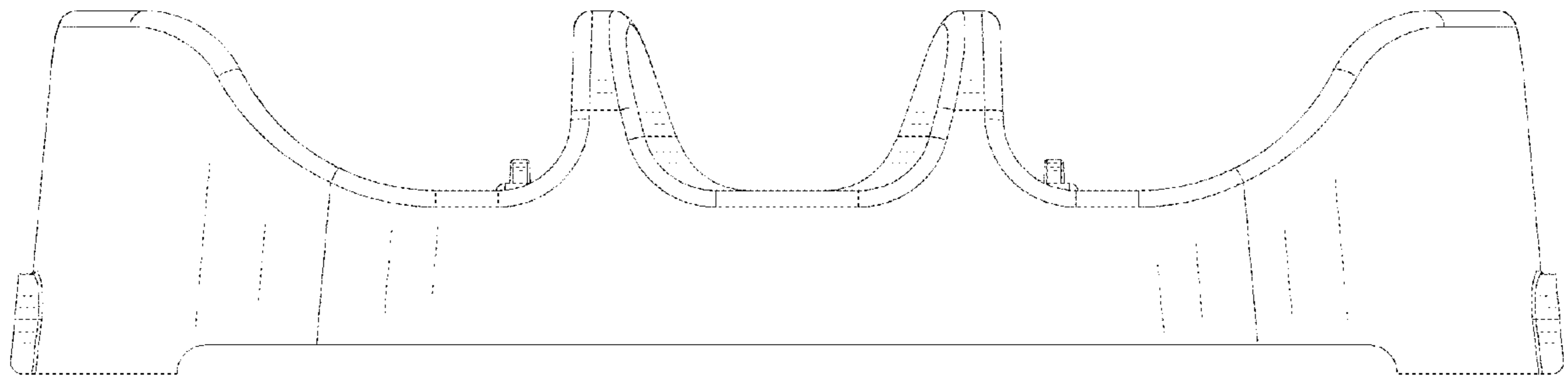


FIG. 9

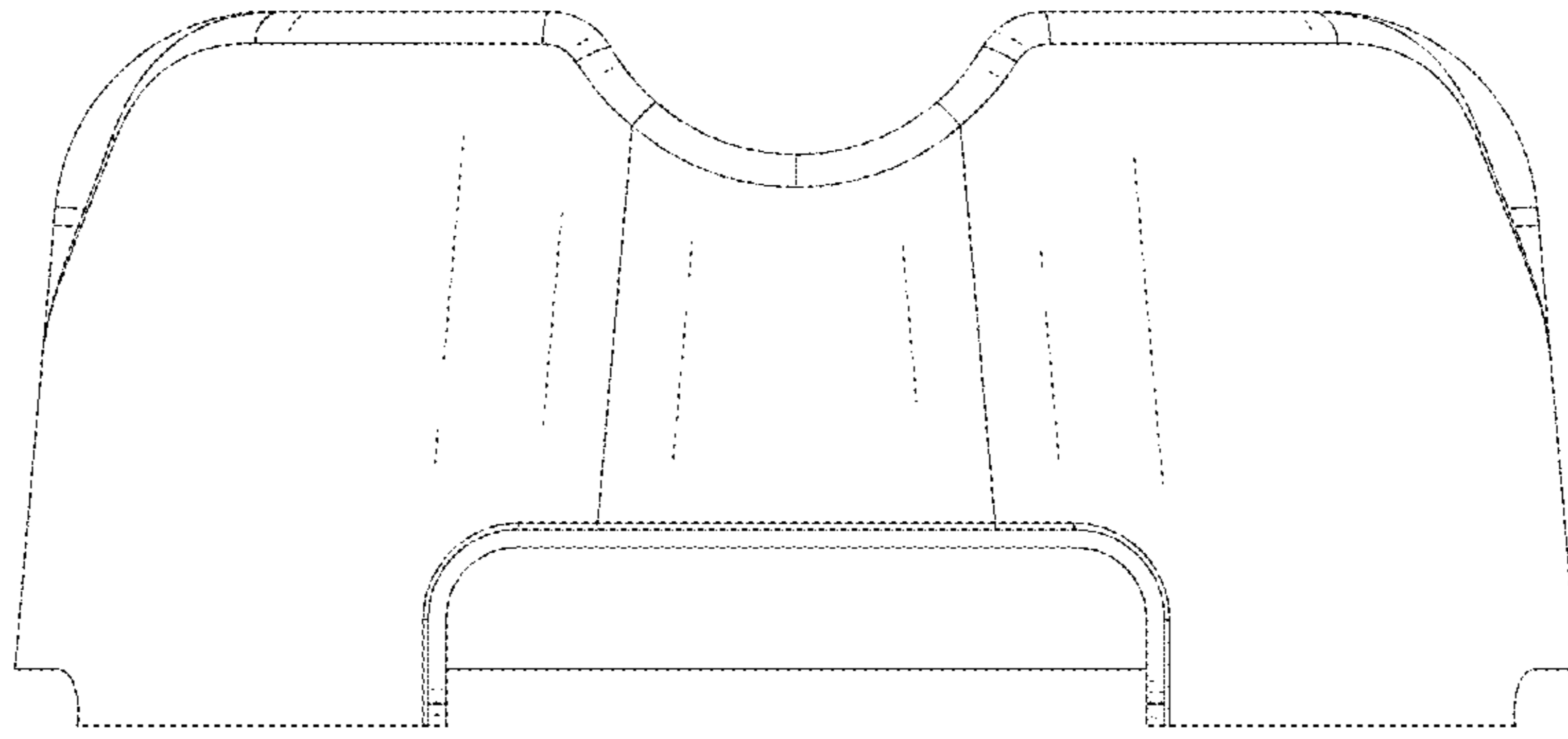


FIG. 10

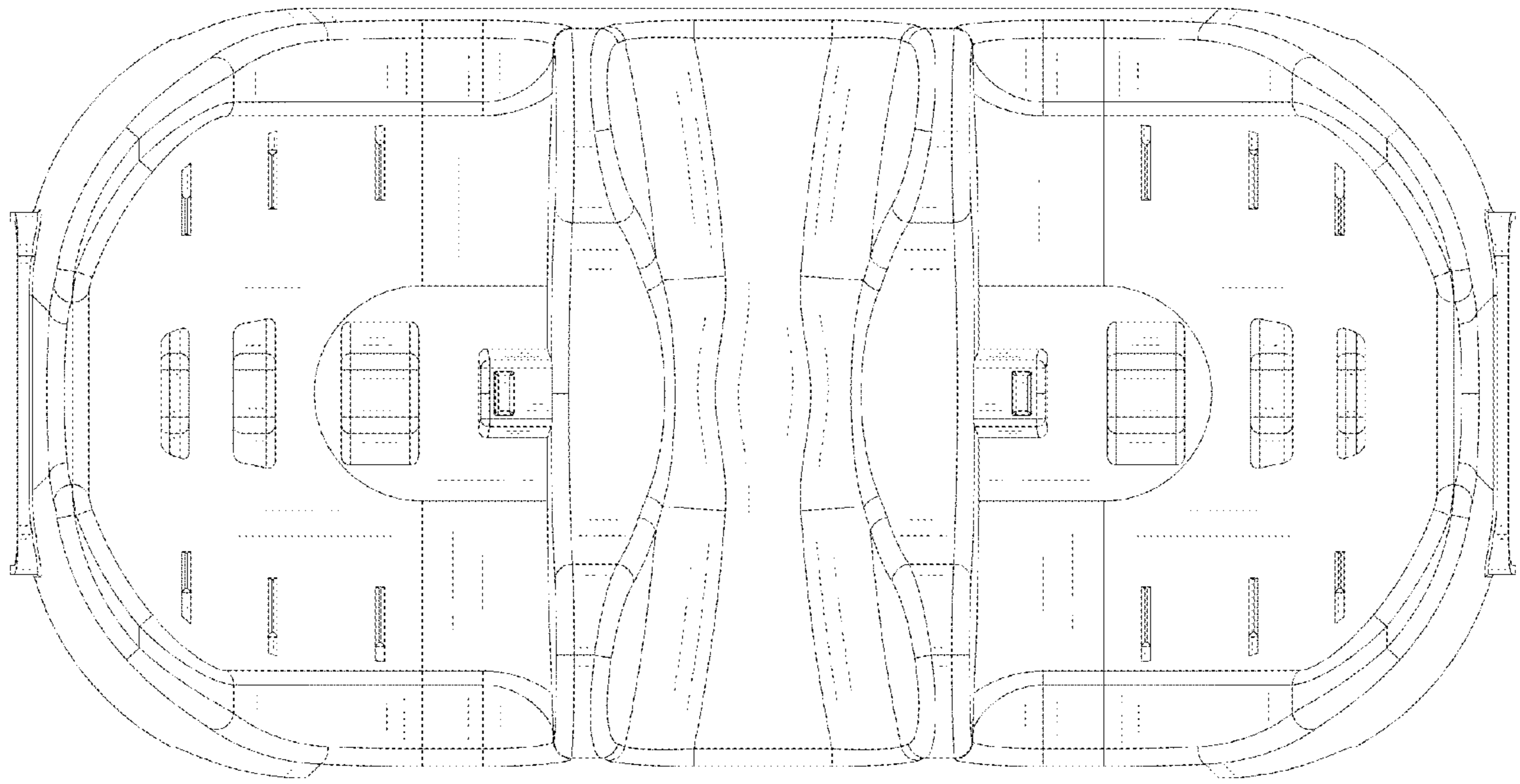


FIG. 11

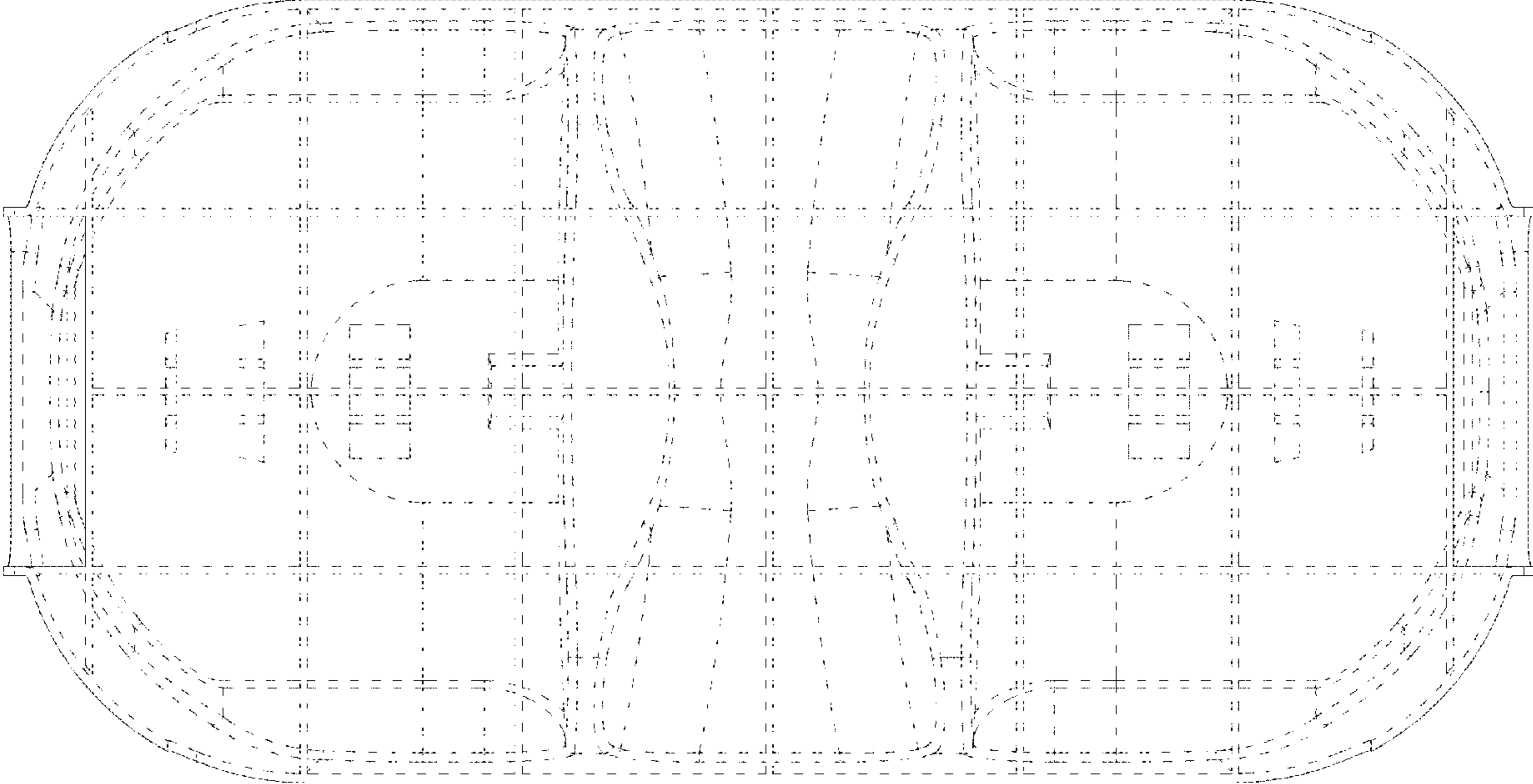


FIG. 12