



US00D987744S

(12) **United States Design Patent**
Bowers

(10) **Patent No.:** **US D987,744 S**

(45) **Date of Patent:** **** May 30, 2023**

(54) **WEIGHT**

(71) Applicant: **Power Systems (PS), LLC**,
Chattanooga, TN (US)

(72) Inventor: **Michael Eugene Bowers**, Maryville,
TN (US)

(73) Assignee: **POWER SYSTEMS (PS), LLC**,
Chattanooga, TN (US)

(**) Term: **15 Years**

(21) Appl. No.: **29/751,530**

(22) Filed: **Sep. 22, 2020**

(51) **LOC (14) Cl.** **21-02**

(52) **U.S. Cl.**
USPC **D21/680**

(58) **Field of Classification Search**
USPC D21/94, 662, 684, 675, 677, 681, 756,
D21/774, 807, 680, 791, 771, 686
See application file for complete search history.

(56) **References Cited**

U.S. PATENT DOCUMENTS

4,854,575 A * 8/1989 Wilson A63B 21/0602
482/108
D566,209 S * 4/2008 Alessandri D21/681
(Continued)

FOREIGN PATENT DOCUMENTS

CA 96119 * 5/2000

Primary Examiner — Khawaja Anwar

Assistant Examiner — Julice Seung Eun Oum

(74) *Attorney, Agent, or Firm* — McAndrews, Held &
Malloy, Ltd.

(57) **CLAIM**

The ornamental design for a weight, as shown and
described.

DESCRIPTION

FIG. 1 is a front perspective view of a weight showing my
new design according to a first embodiment;

FIG. 2 is a rear perspective view thereof;
FIG. 3 is a right side elevation view thereof;
FIG. 4 is a left side elevation view thereof;
FIG. 5 is a front elevation view thereof;
FIG. 6 is a rear elevation view thereof;
FIG. 7 is a top plan view thereof;
FIG. 8 is a bottom plan view thereof;
FIG. 9 is a front perspective view of a weight showing my
new design according to a second embodiment;
FIG. 10 is a rear perspective view thereof;
FIG. 11 is a right side elevation view thereof;
FIG. 12 is a left side elevation view thereof;
FIG. 13 is a front elevation view thereof;
FIG. 14 is a rear elevation view thereof;
FIG. 15 is a top plan view thereof;
FIG. 16 is a bottom plan view thereof;
FIG. 17 is a front perspective view of a weight showing my
new design according to a third embodiment;
FIG. 18 is a rear perspective view thereof;
FIG. 19 is a right side elevation view thereof;
FIG. 20 is a left side elevation view thereof;
FIG. 21 is a front elevation view thereof;
FIG. 22 is a rear elevation view thereof;
FIG. 23 is a top plan view thereof;
FIG. 24 is a bottom plan view thereof;
FIG. 25 is a front perspective view of a weight showing my
new design according to a fourth embodiment;
FIG. 26 is a rear perspective view thereof;
FIG. 27 is a right side elevation view thereof;
FIG. 28 is a left side elevation view thereof;
FIG. 29 is a front elevation view thereof;
FIG. 30 is a rear elevation view thereof;
FIG. 31 is a top plan view thereof;
FIG. 32 is a bottom plan view thereof;
FIG. 33 is a front perspective view of a weight showing my
new design according to a fifth embodiment;
FIG. 34 is a rear perspective view thereof;
FIG. 35 is a right side elevation view thereof;
FIG. 36 is a left side elevation view thereof;
FIG. 37 is a front elevation view thereof;
FIG. 38 is a rear elevation view thereof;
FIG. 39 is a top plan view thereof;
FIG. 40 is a bottom plan view thereof;

(Continued)

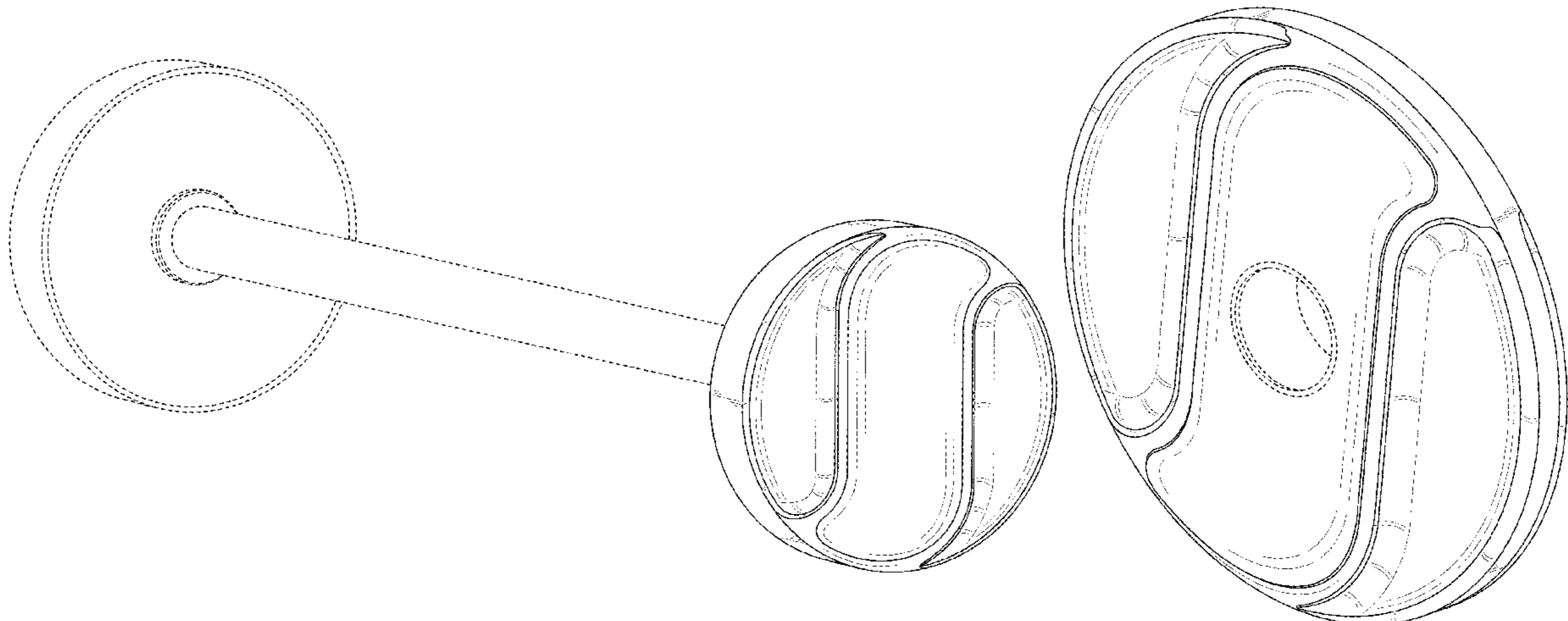


FIG. 41 is a front perspective view of a weight showing my new design according to a sixth embodiment;
 FIG. 42 is a rear perspective view thereof;
 FIG. 43 is a right side elevation view thereof;
 FIG. 44 is a left side elevation view thereof;
 FIG. 45 is a front elevation view thereof;
 FIG. 46 is a rear elevation view thereof;
 FIG. 47 is a top plan view thereof;
 FIG. 48 is a bottom plan view thereof;
 FIG. 49 is a front perspective view of a weight showing my new design according to a seventh embodiment;
 FIG. 50 is a rear perspective view thereof;
 FIG. 51 is a right side elevation view thereof;
 FIG. 52 is a left side elevation view thereof;
 FIG. 53 is a front elevation view thereof;
 FIG. 54 is a rear elevation view thereof;
 FIG. 55 is a top plan view thereof;
 FIG. 56 is a bottom plan view thereof;
 FIG. 57 is a front perspective view of a weight showing my new design according to an eighth embodiment;
 FIG. 58 is a rear perspective view thereof;
 FIG. 59 is a right side elevation view thereof;
 FIG. 60 is a left side elevation view thereof;
 FIG. 61 is a front elevation view thereof;
 FIG. 62 is a rear elevation view thereof;

FIG. 63 is a top plan view thereof; and,
 FIG. 64 is a bottom plan view thereof.
 The evenly dashed broken lines in the drawings illustrate portions of the weight that form no part of the claimed design.

1 Claim, 58 Drawing Sheets

(56)

References Cited

U.S. PATENT DOCUMENTS

8,591,387	B2 *	11/2013	Fife	A63B 21/0726
				482/106
D751,157	S *	3/2016	Irwin	D21/680
D842,399	S *	3/2019	Arceta	D21/680
D844,077	S *	3/2019	Arceta	D21/680
D945,539	S *	3/2022	Chen	D21/680
D951,372	S *	5/2022	Wang	D21/680
2006/0172871	A1 *	8/2006	Cao	A63B 21/075
				482/106
2010/0190607	A1 *	7/2010	Widerman	A63B 21/072
				482/93
2015/0038303	A1 *	2/2015	Adkins	A63B 21/075
				482/108

* cited by examiner

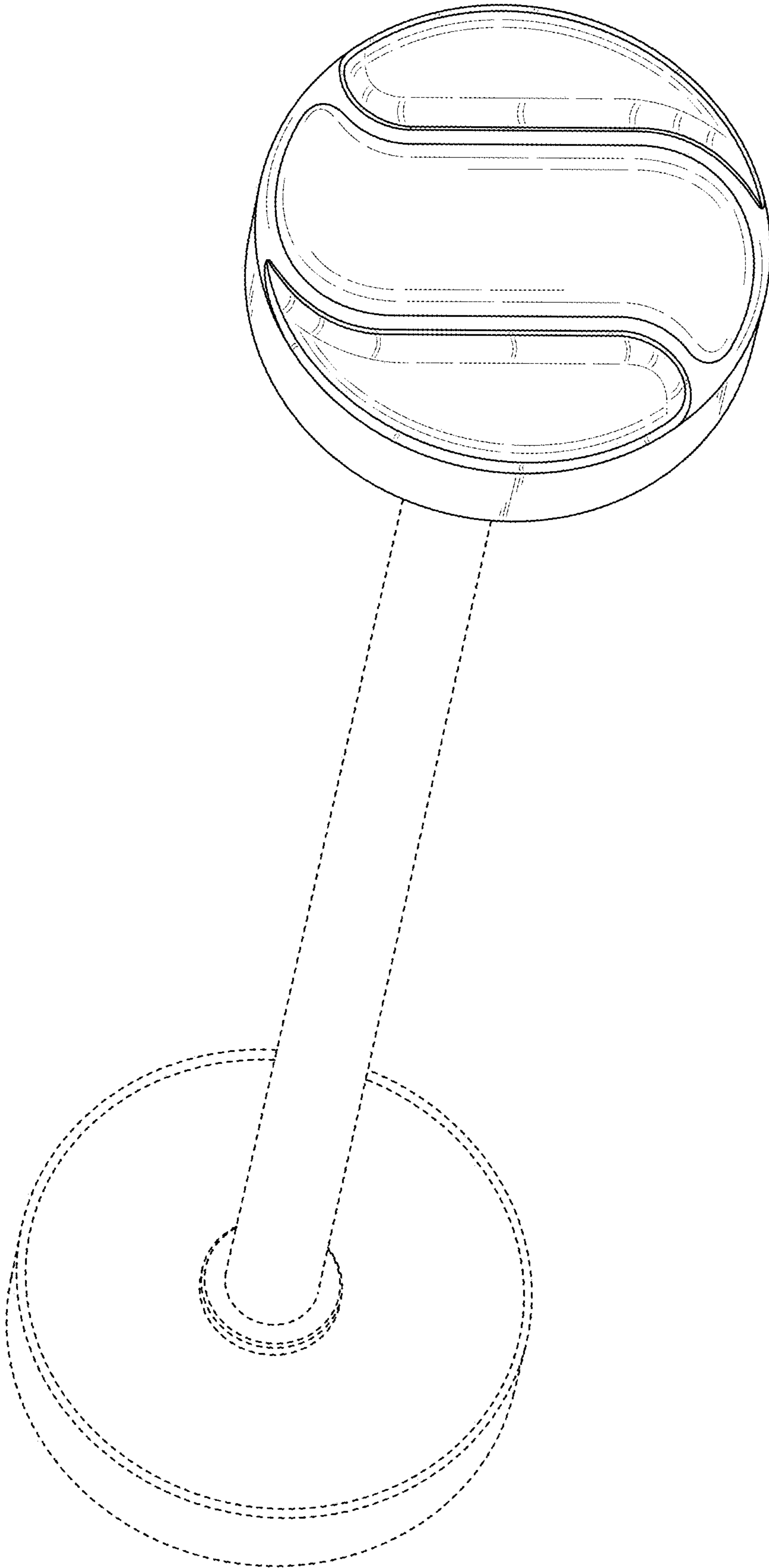


FIG. 1

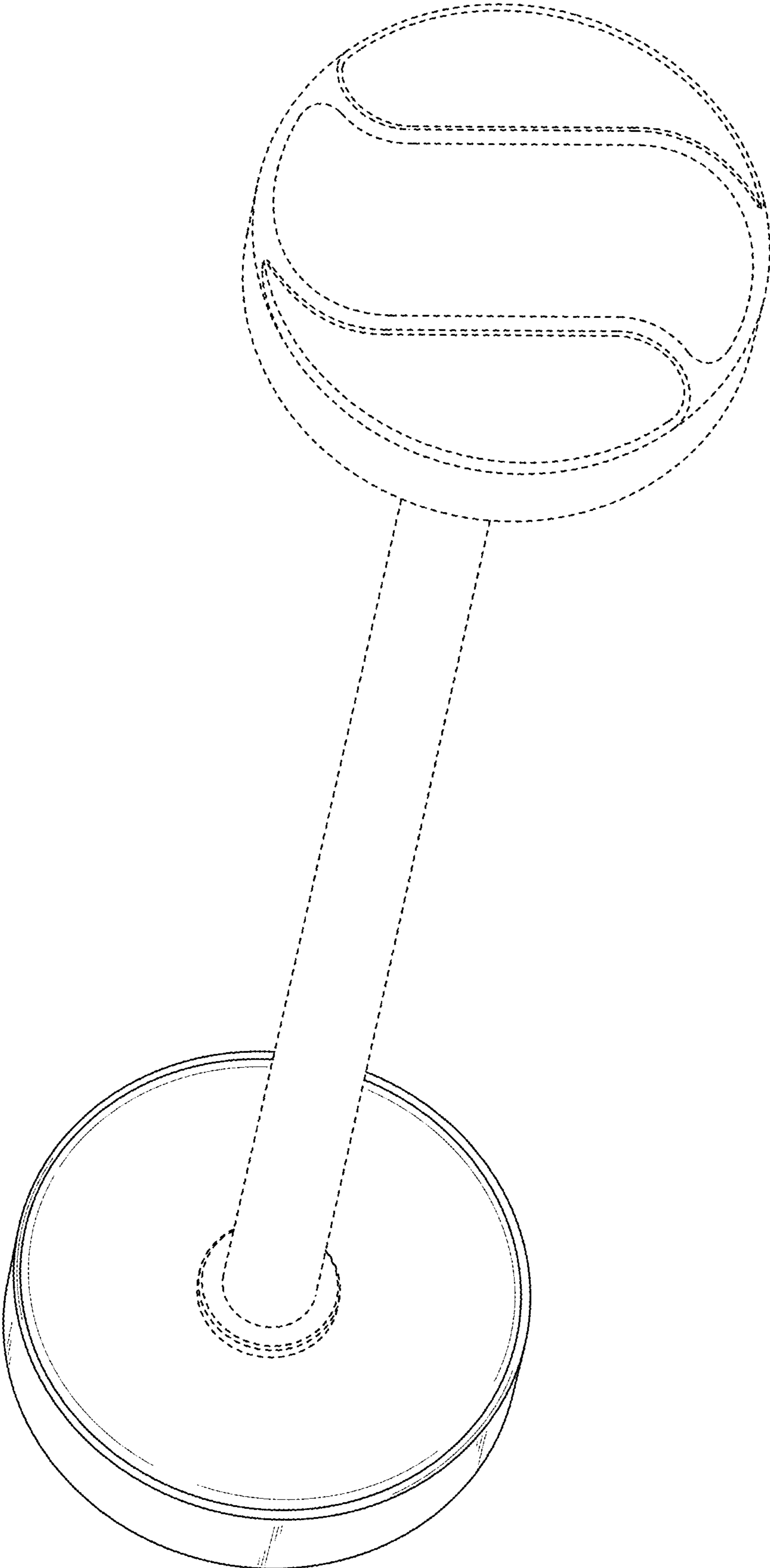


FIG. 2

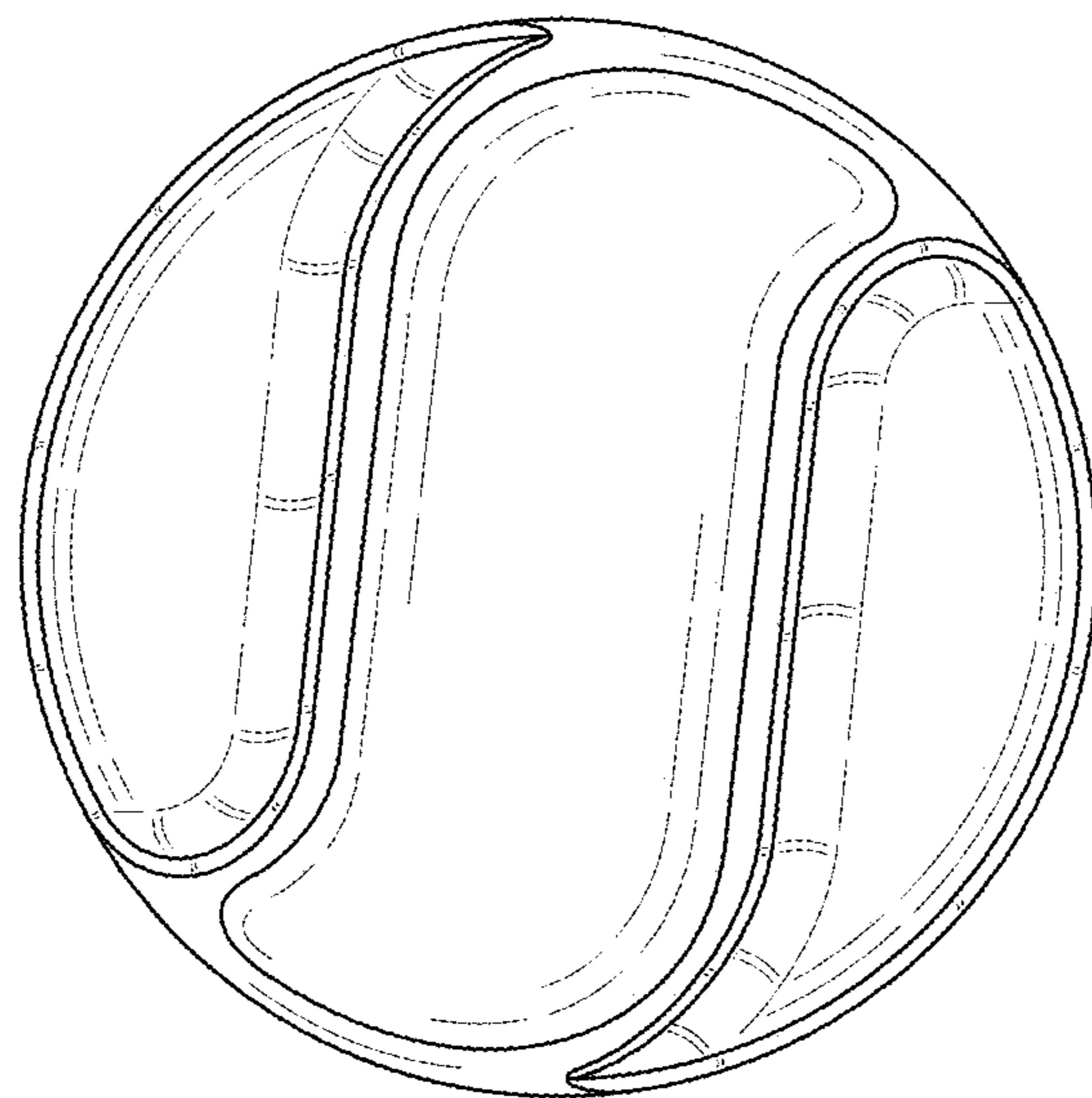


FIG. 3

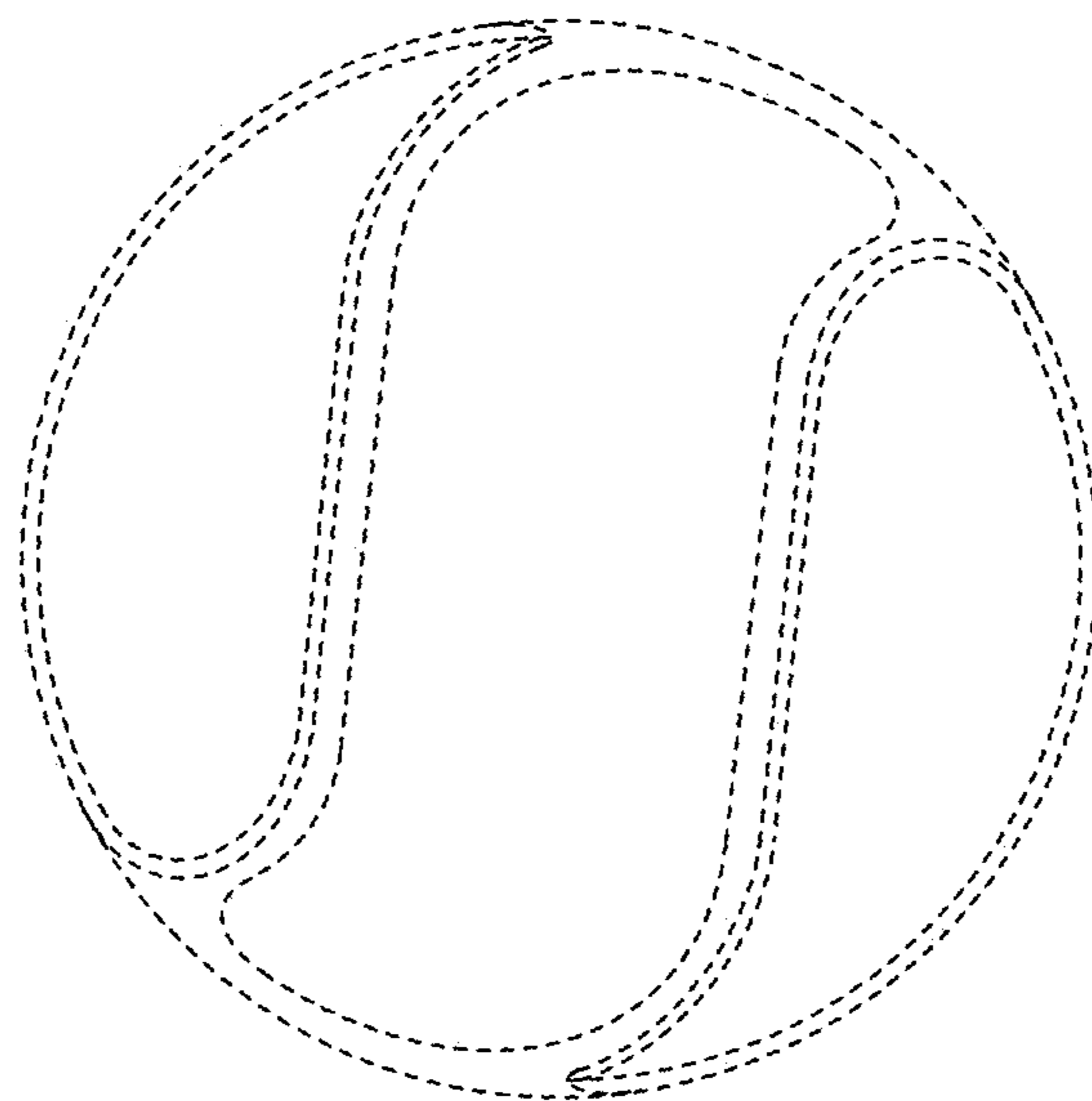


FIG. 4

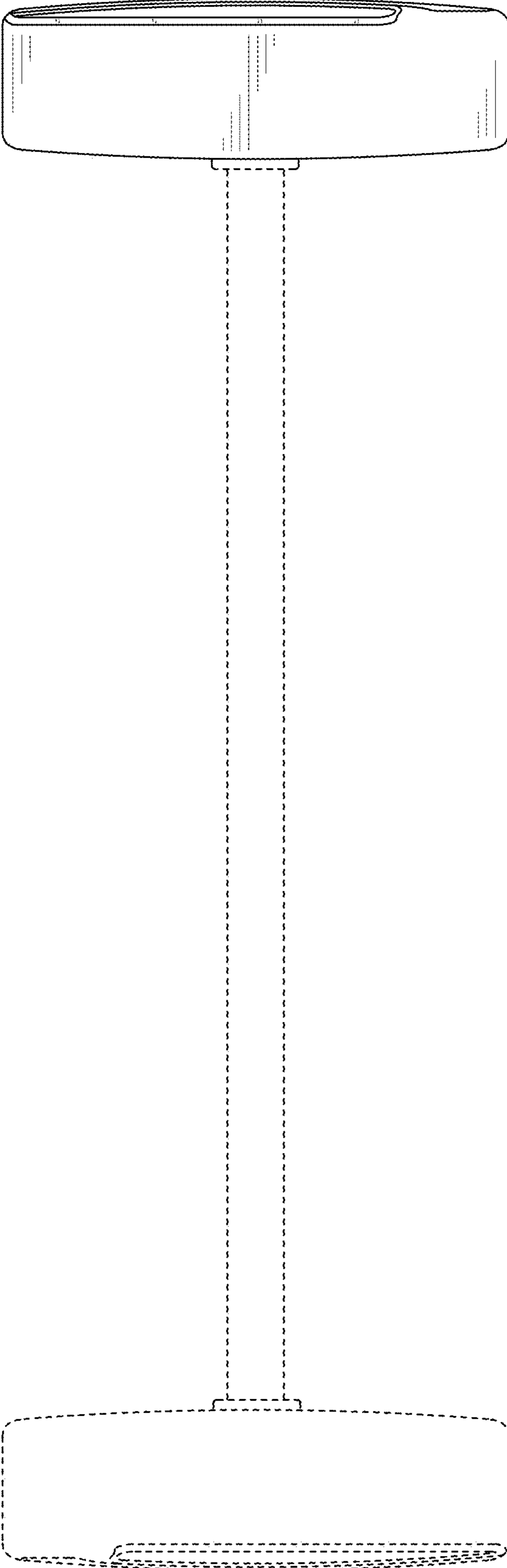


FIG. 5

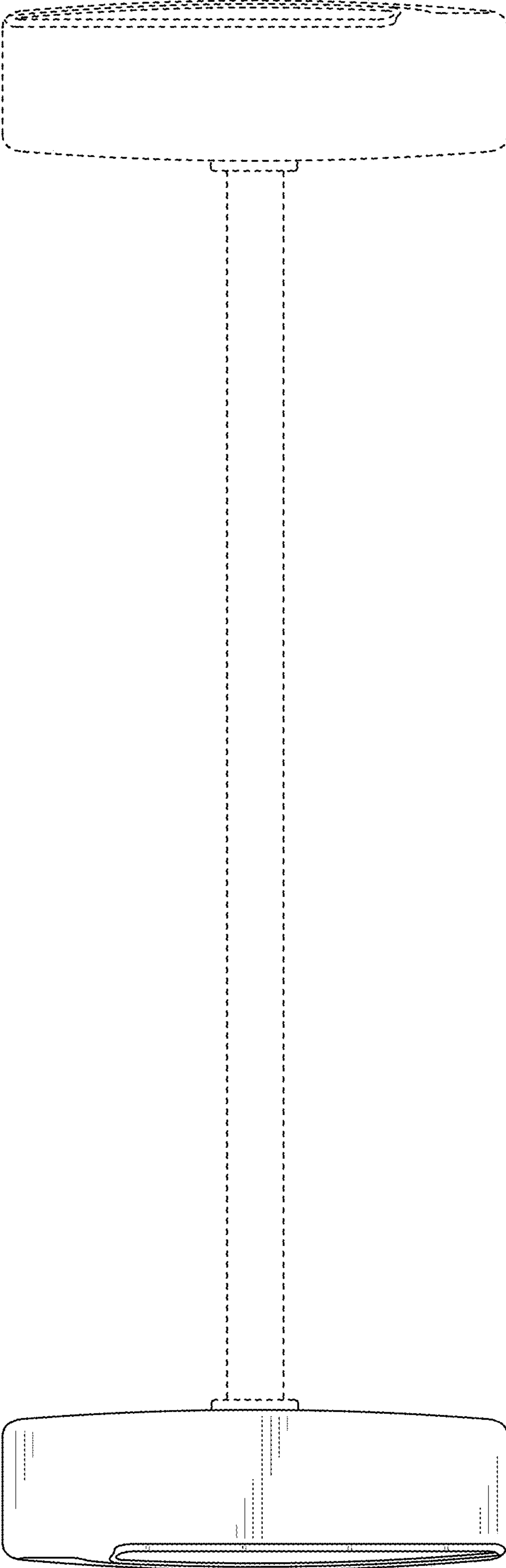


FIG. 6

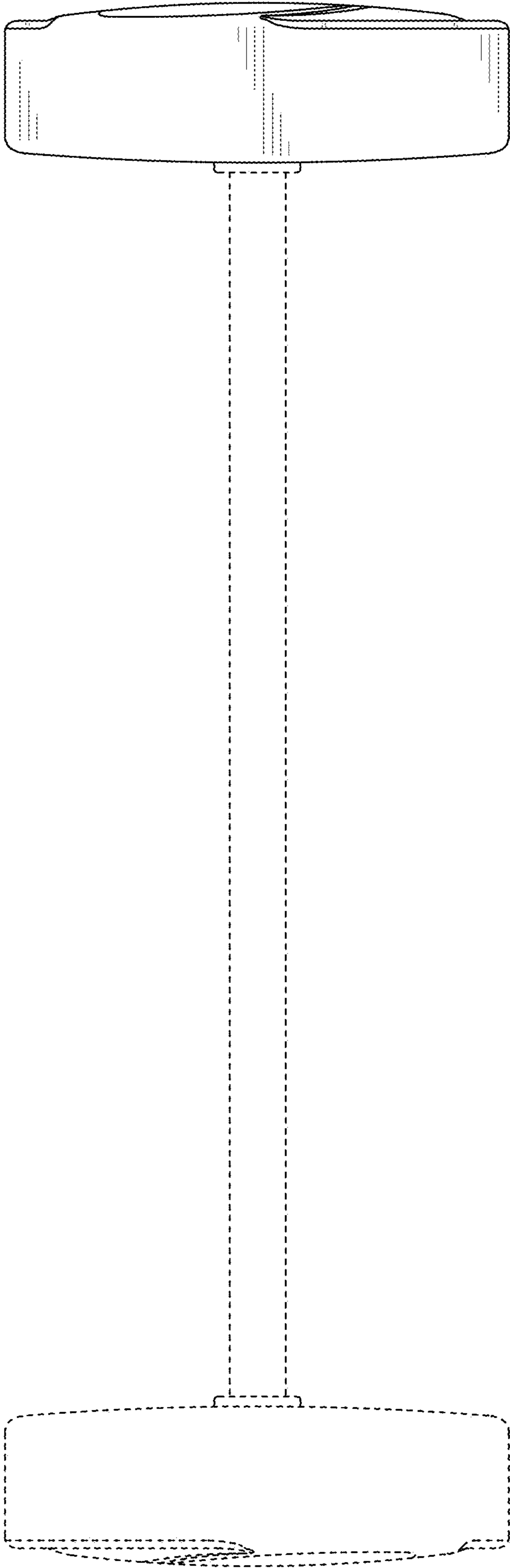


FIG. 7

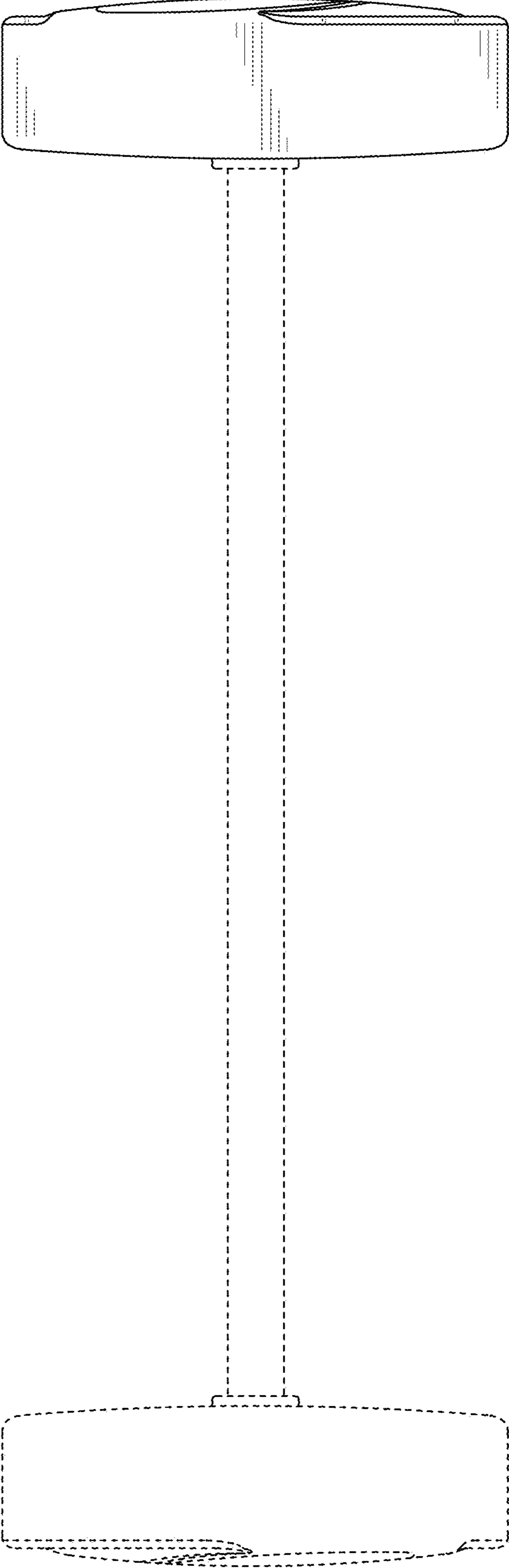


FIG. 8

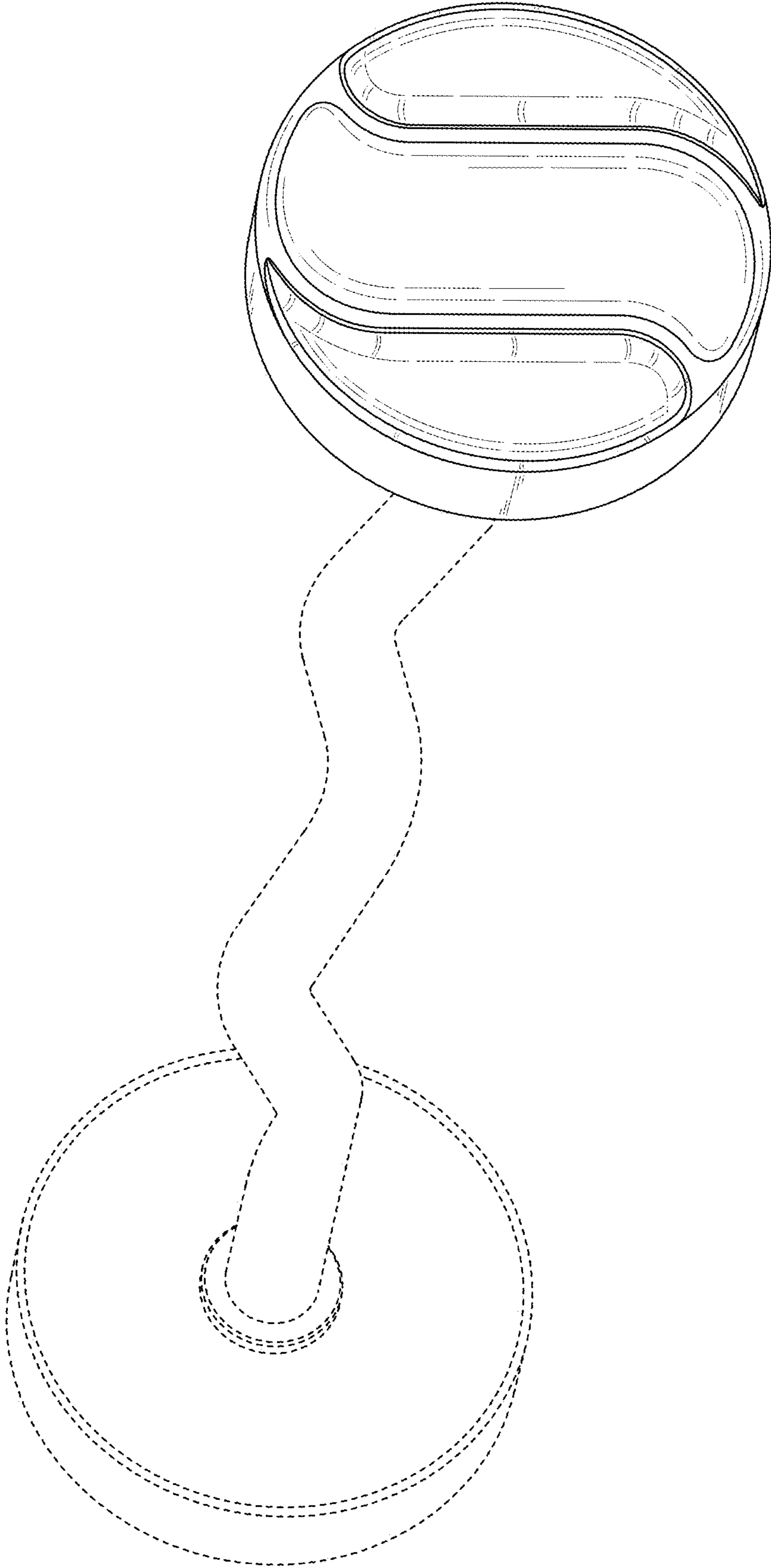


FIG. 9

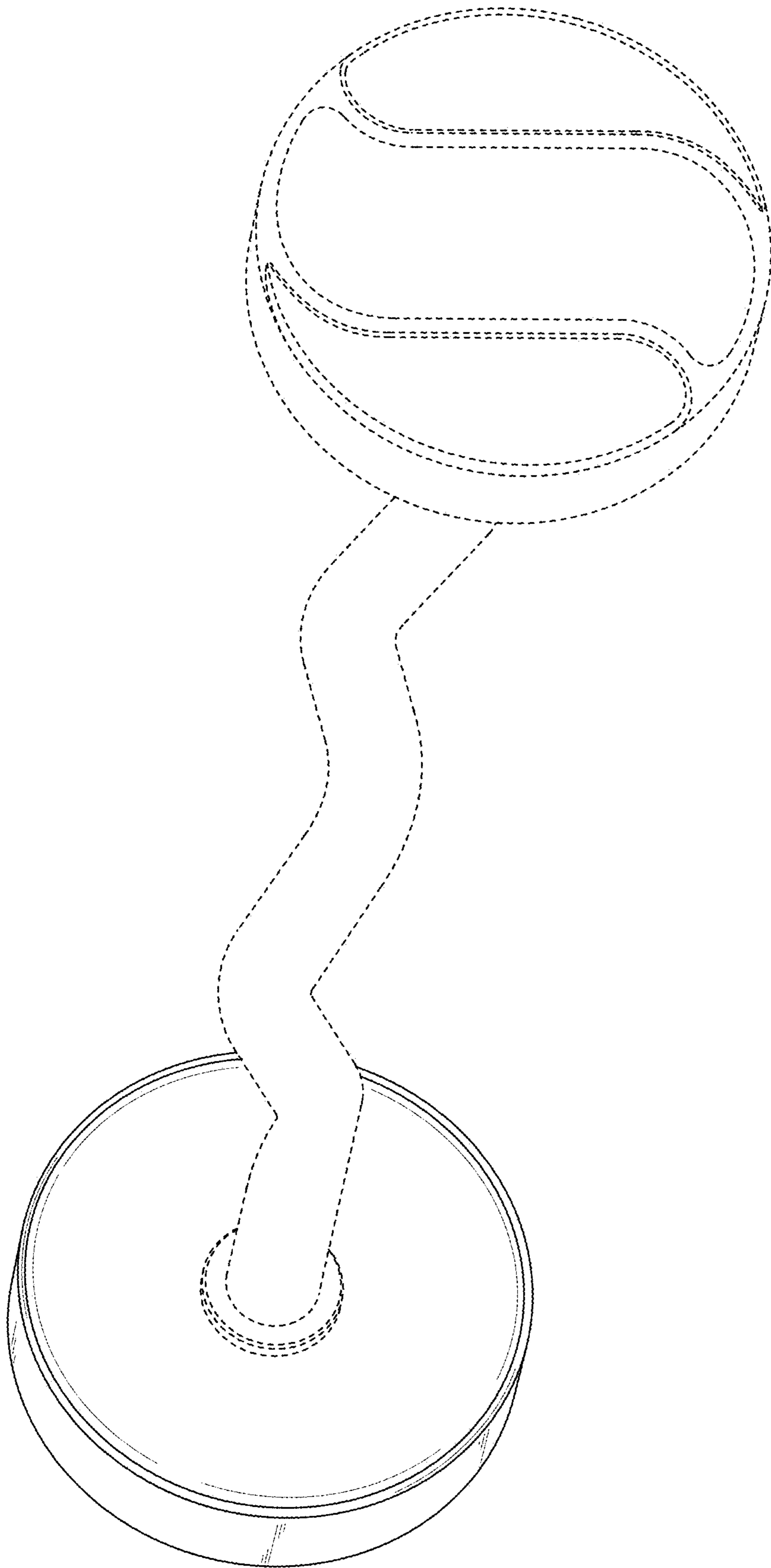


FIG. 10

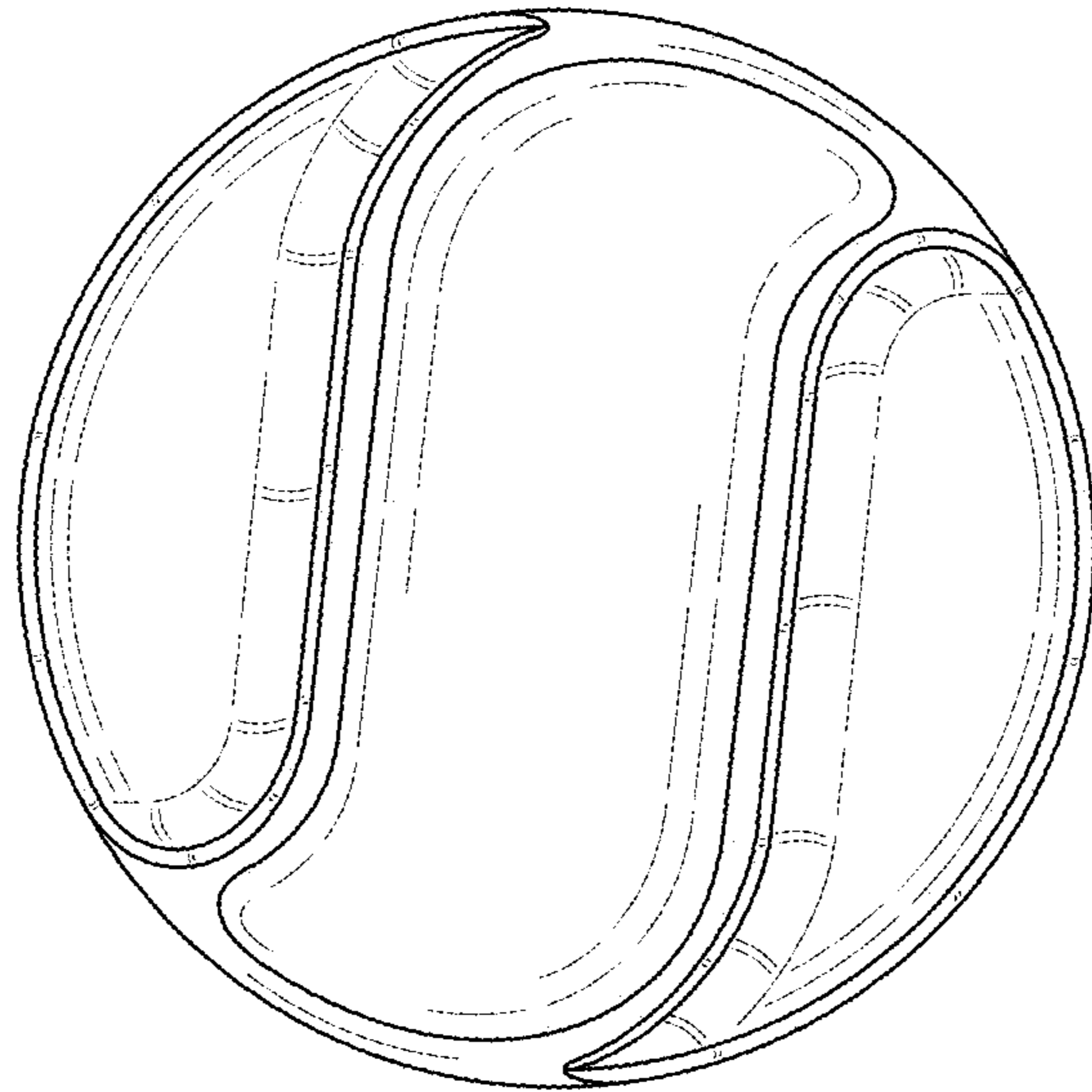


FIG. 11

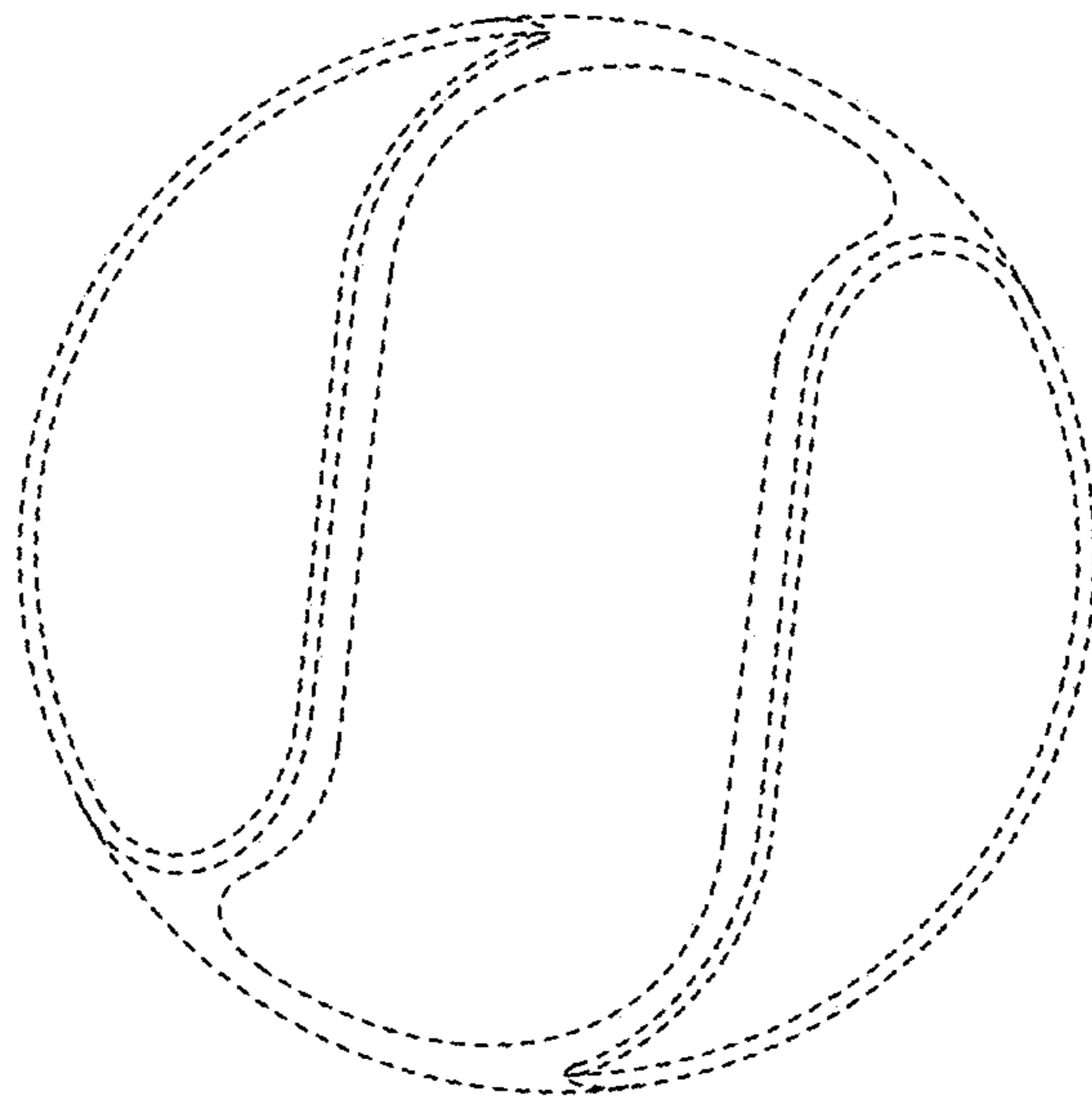


FIG. 12

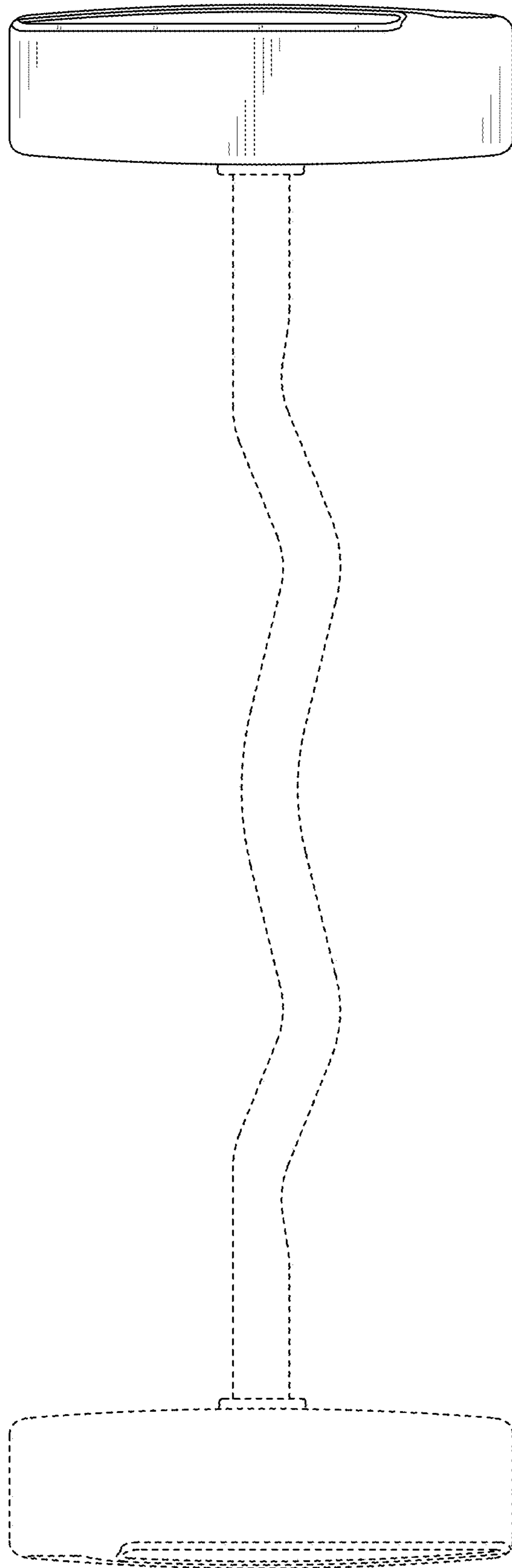


FIG. 13

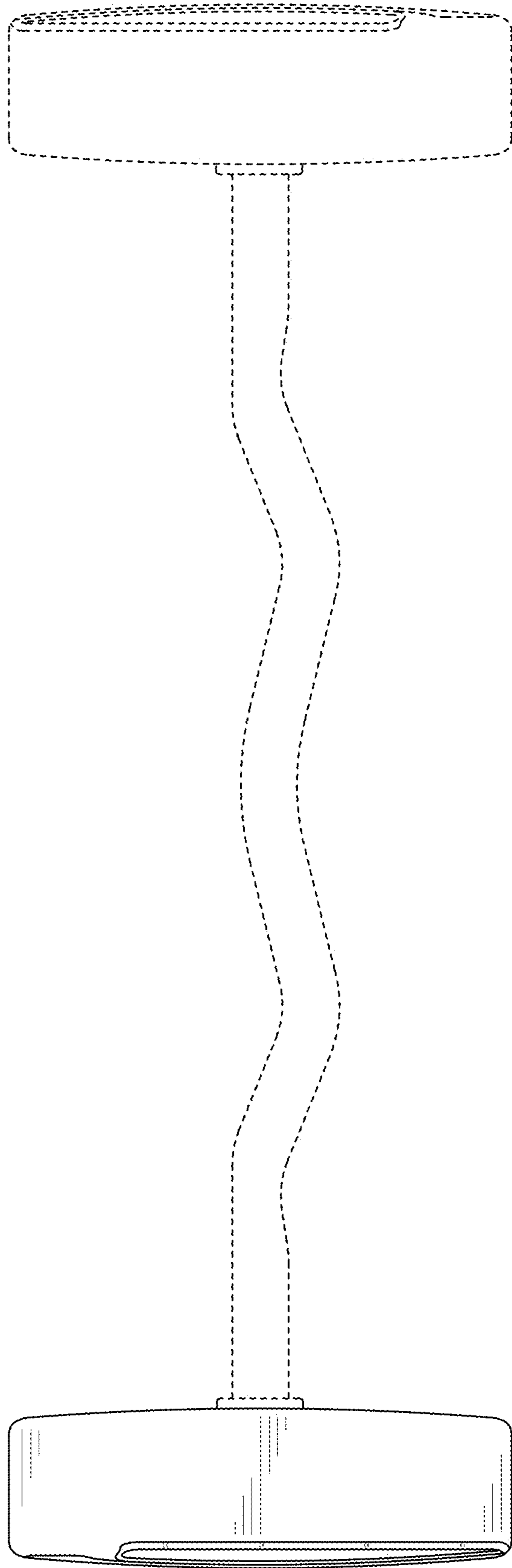


FIG. 14

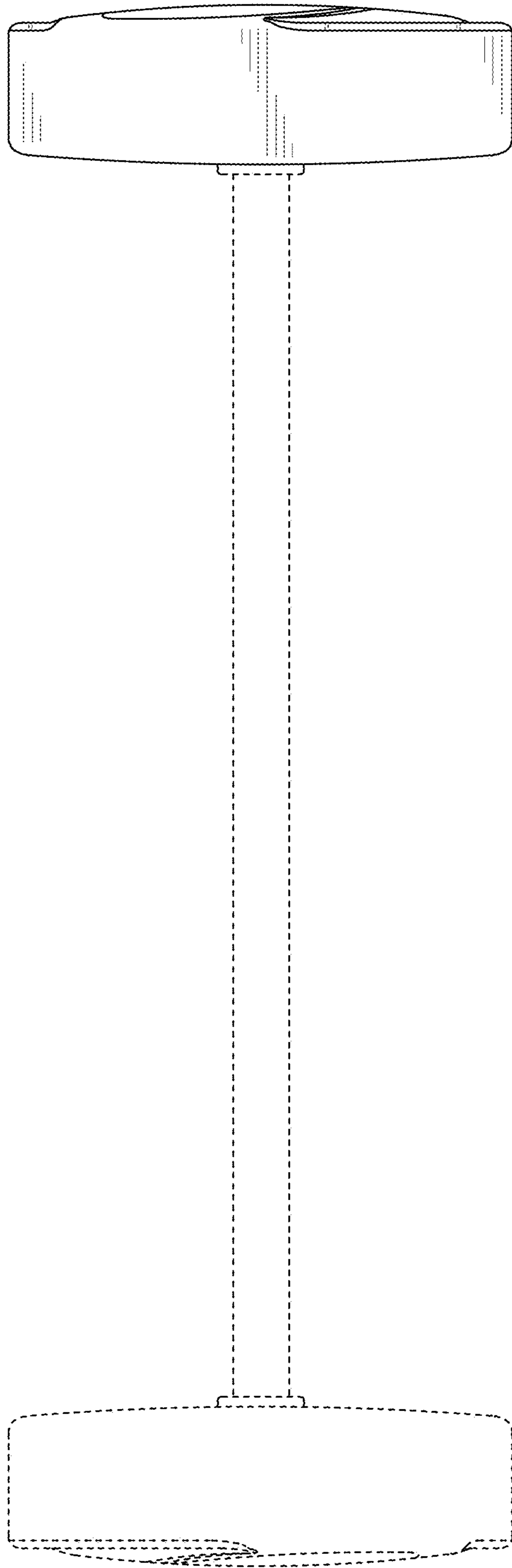


FIG. 15

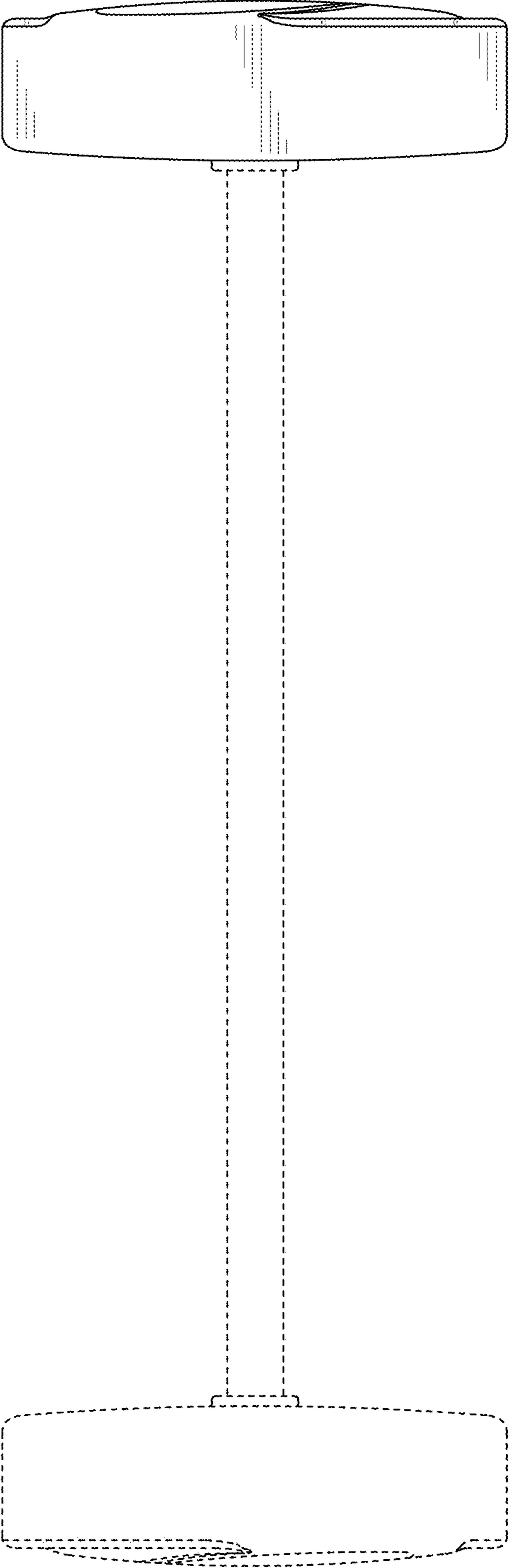


FIG. 16

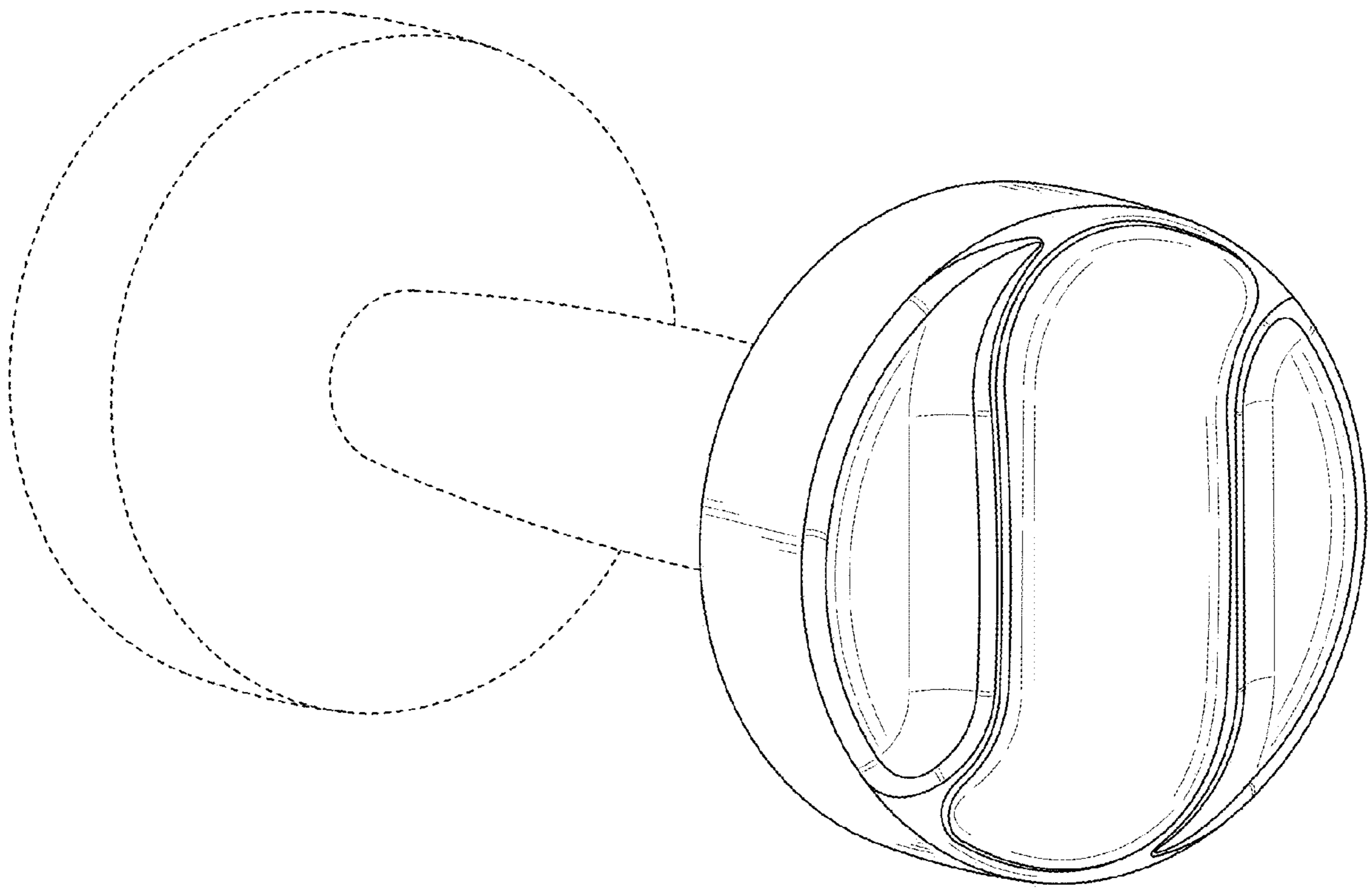


FIG. 17

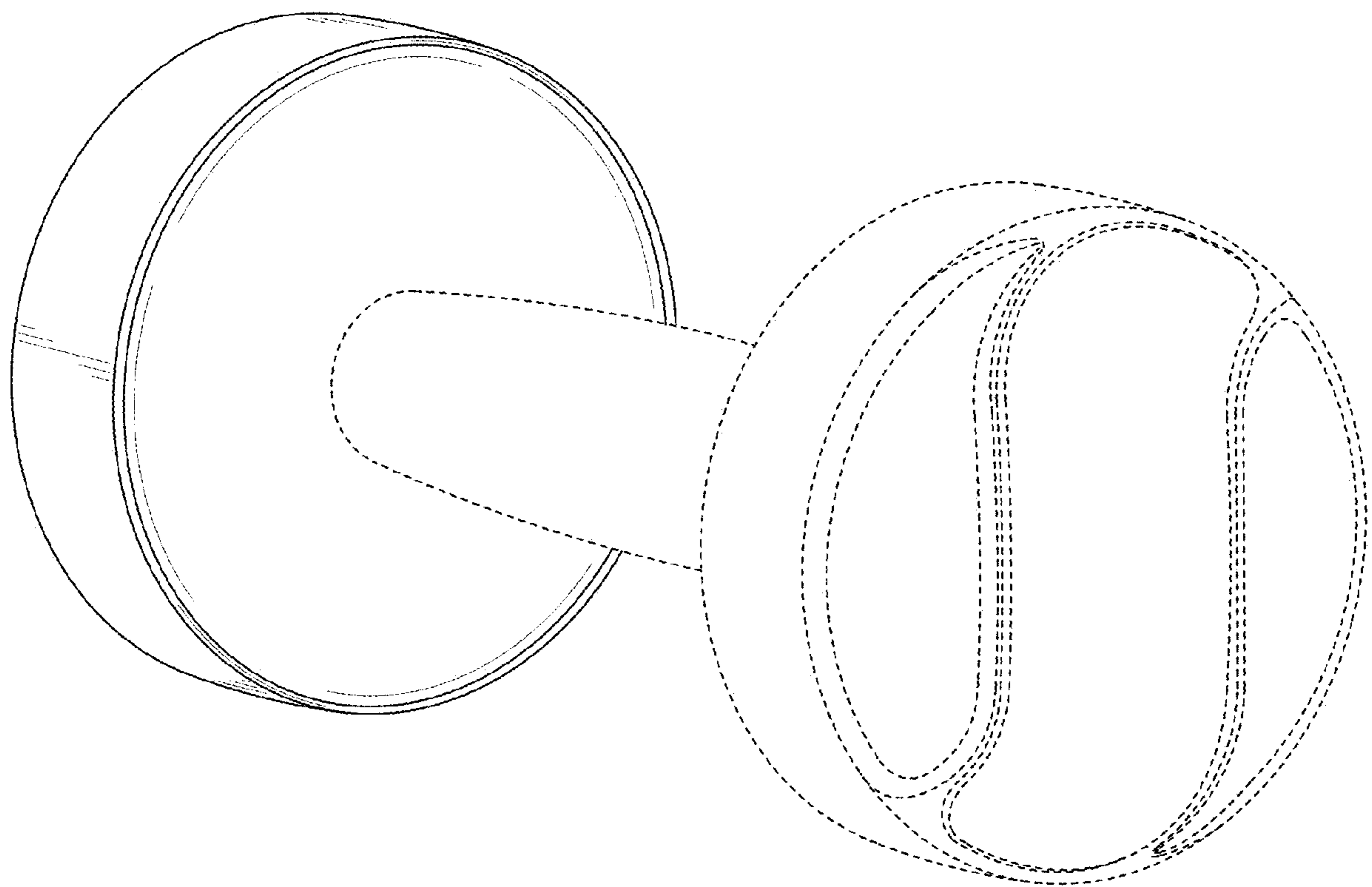


FIG. 18

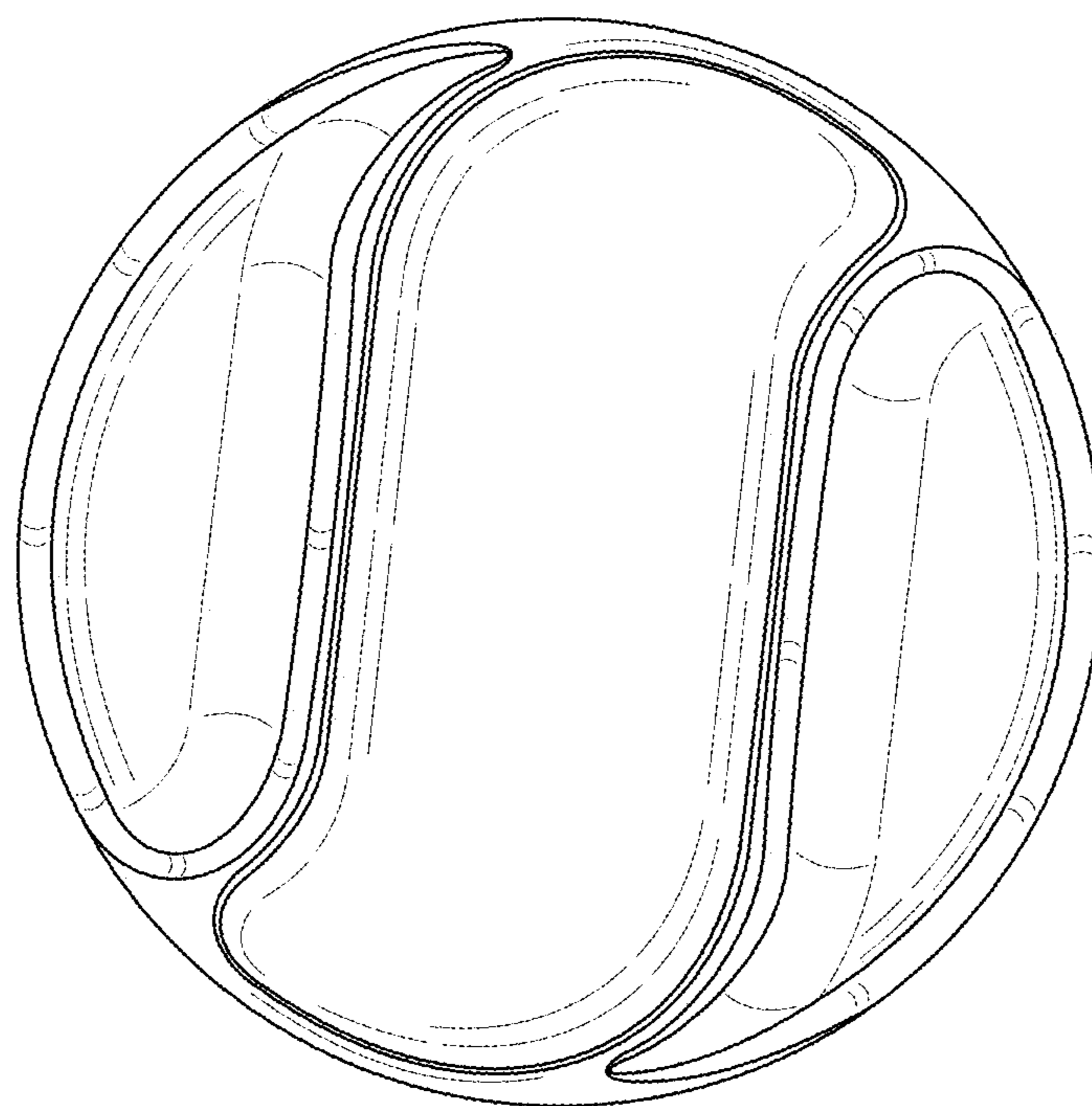


FIG. 19

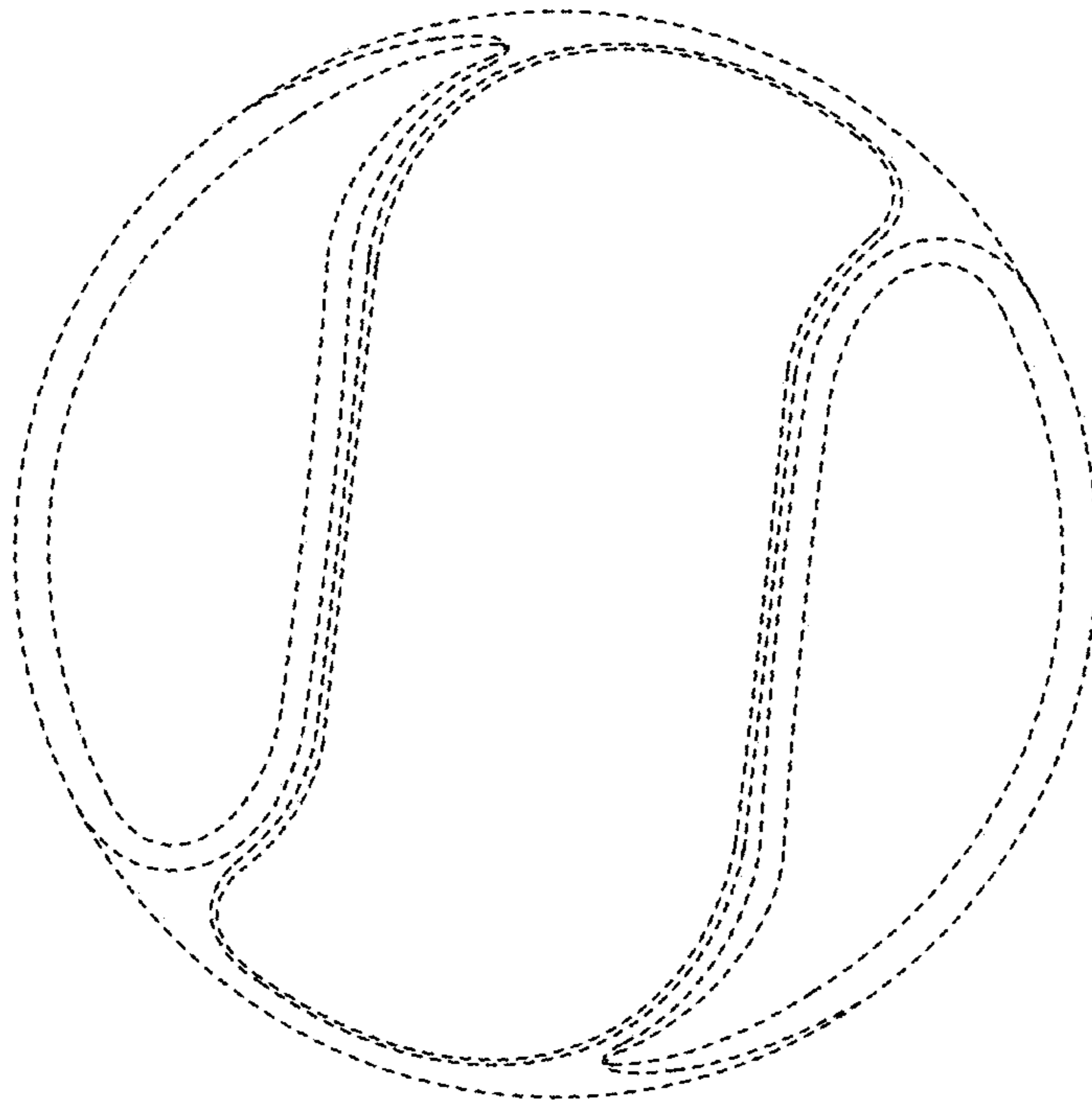


FIG. 20

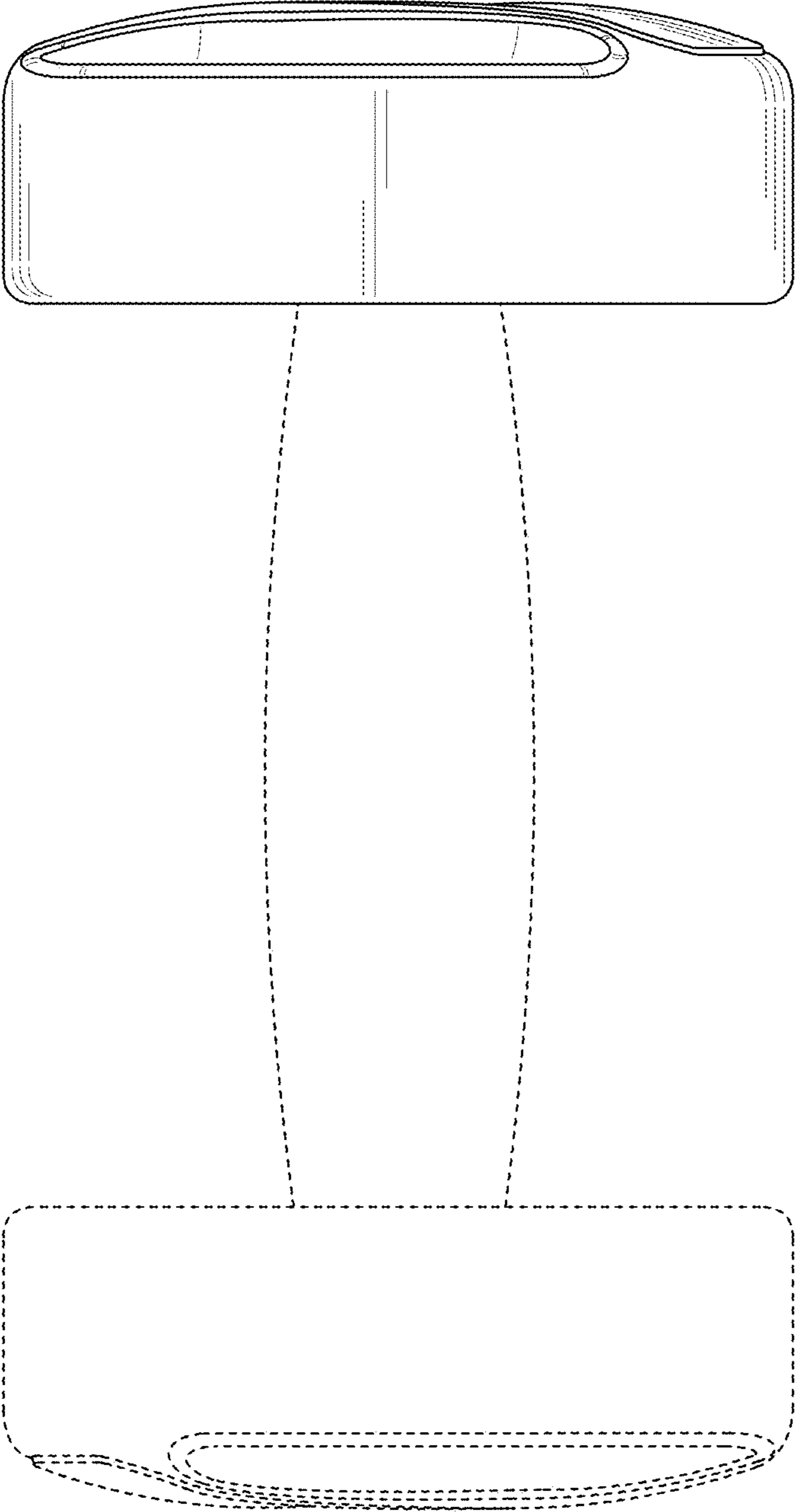


FIG. 21

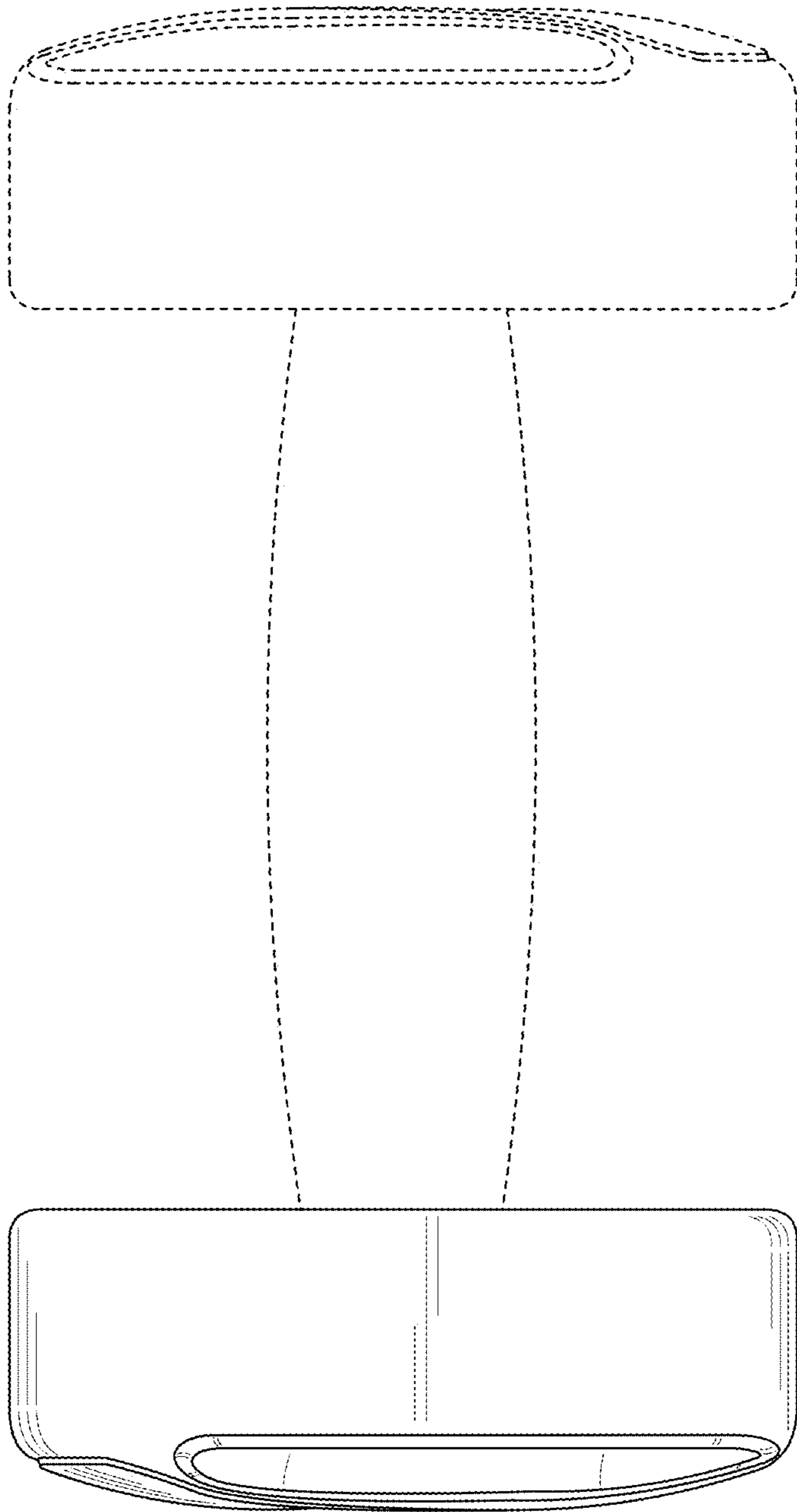


FIG. 22

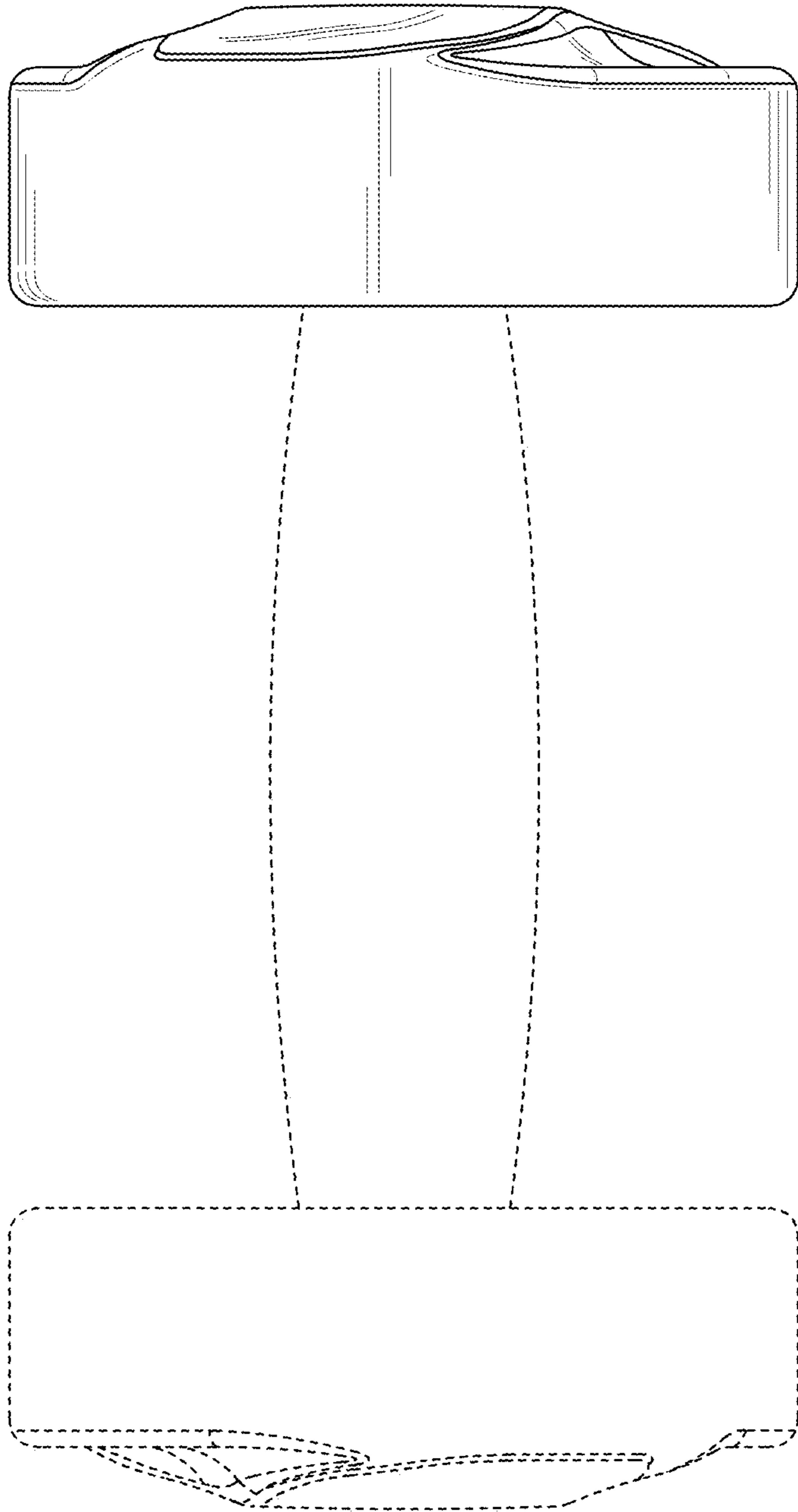


FIG. 23

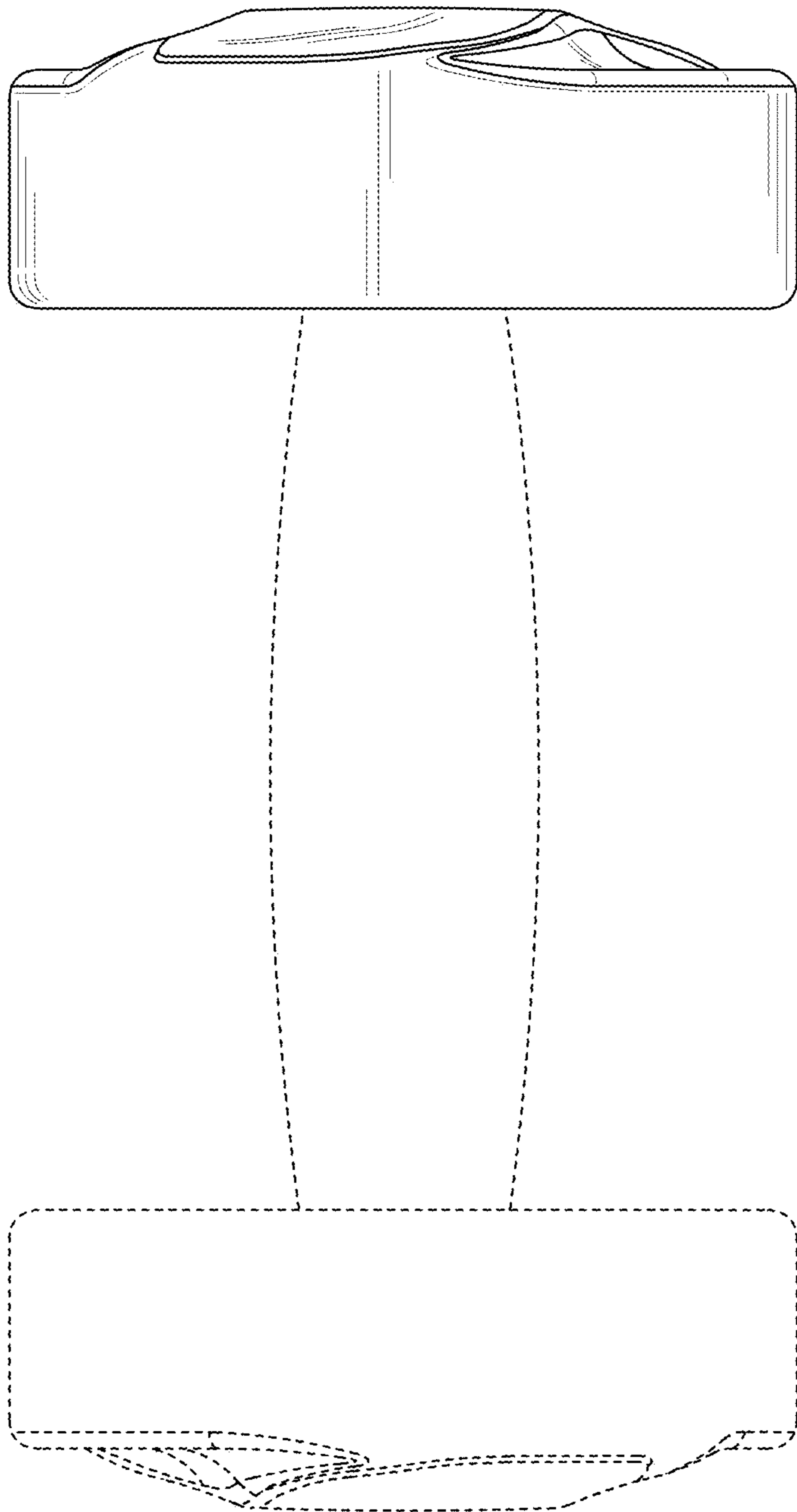


FIG. 24

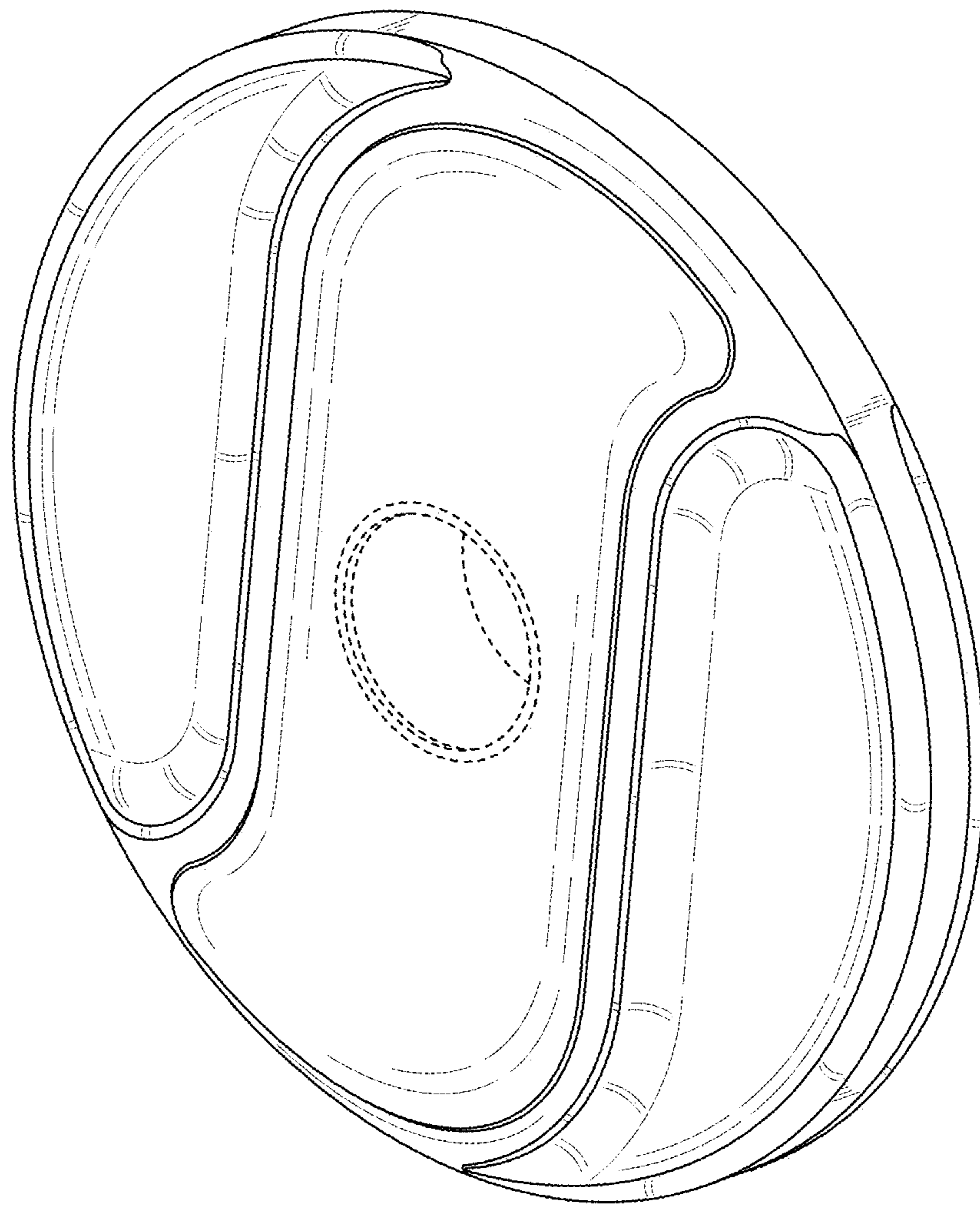


FIG. 25

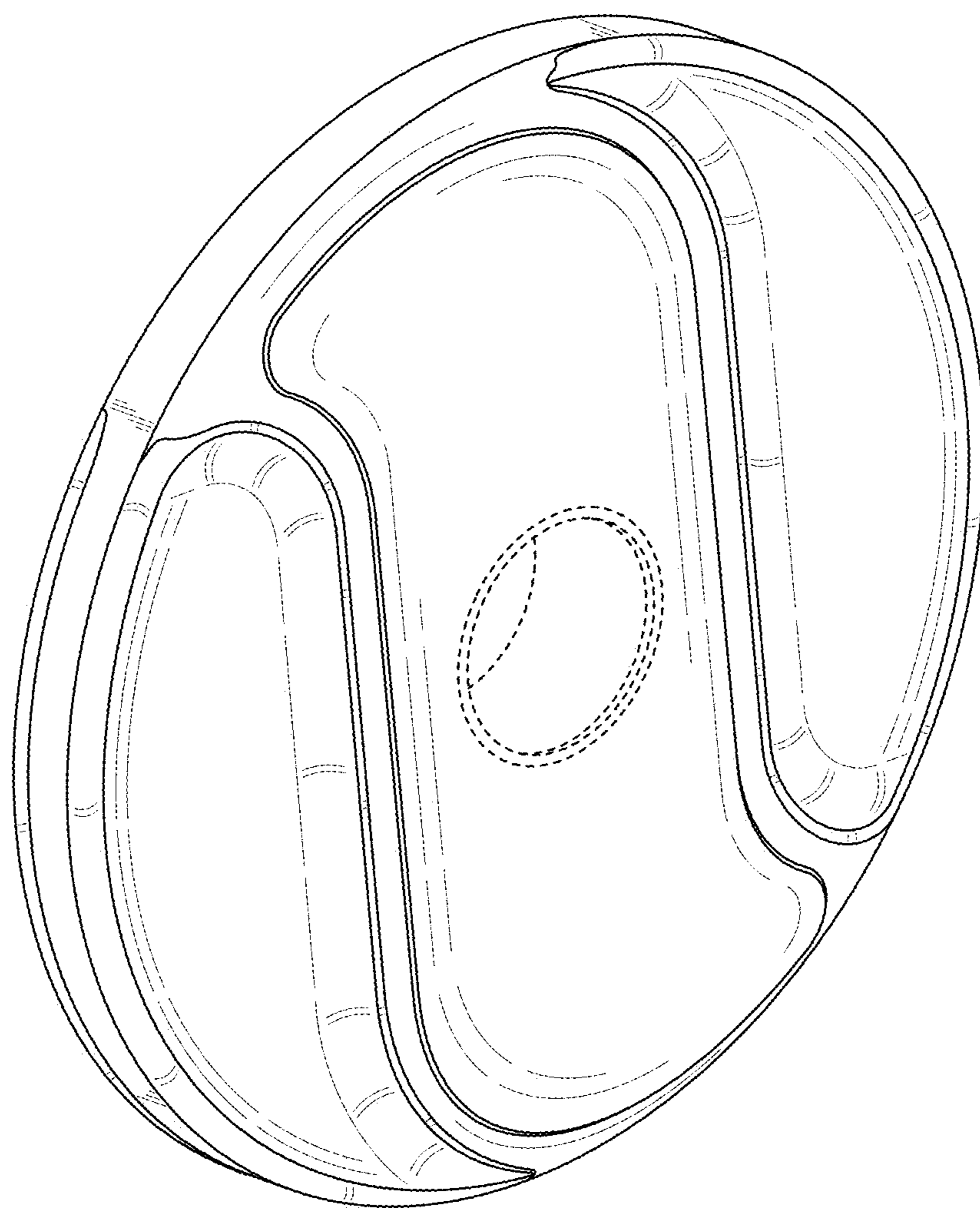


FIG. 26

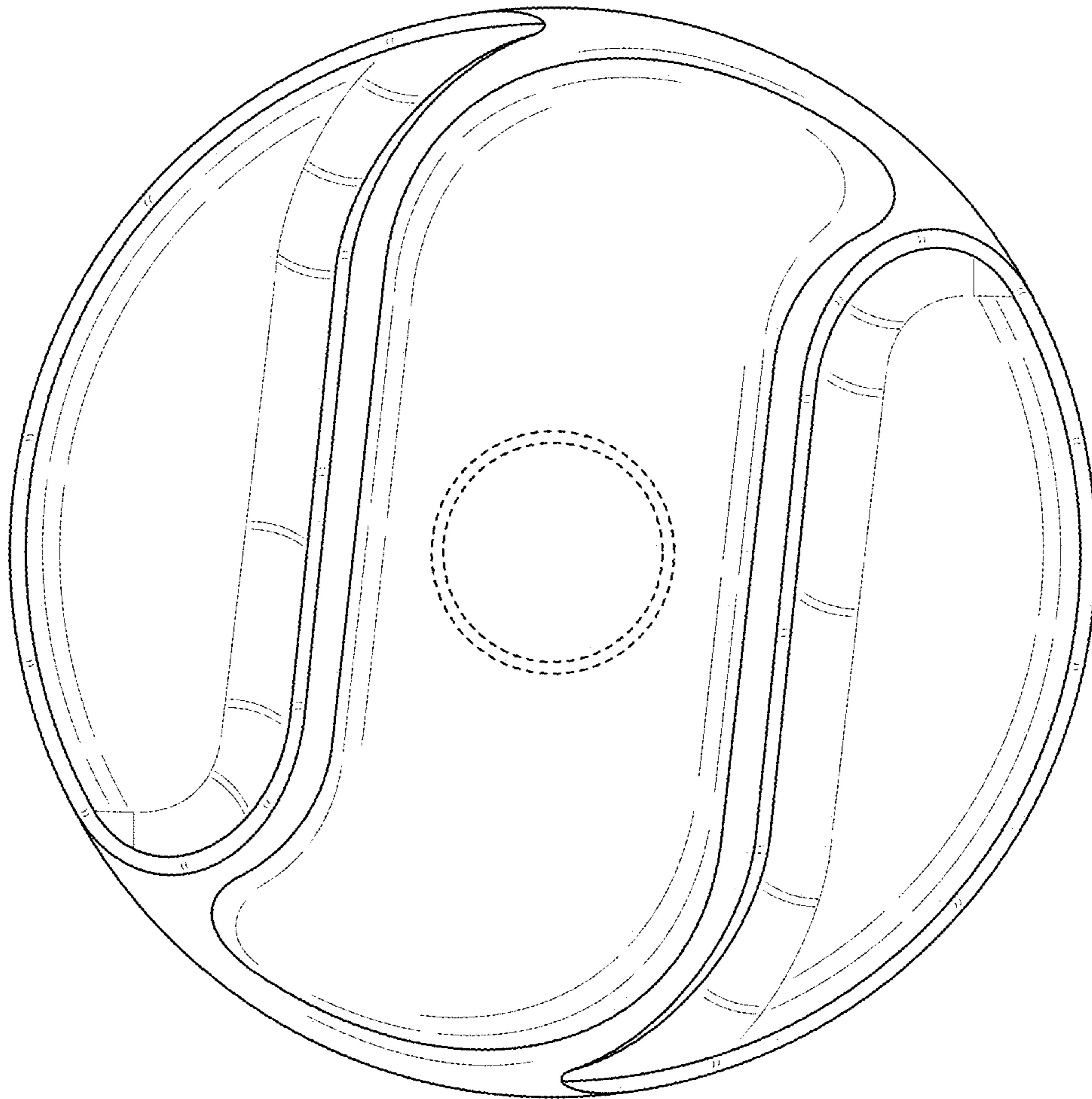


FIG. 27

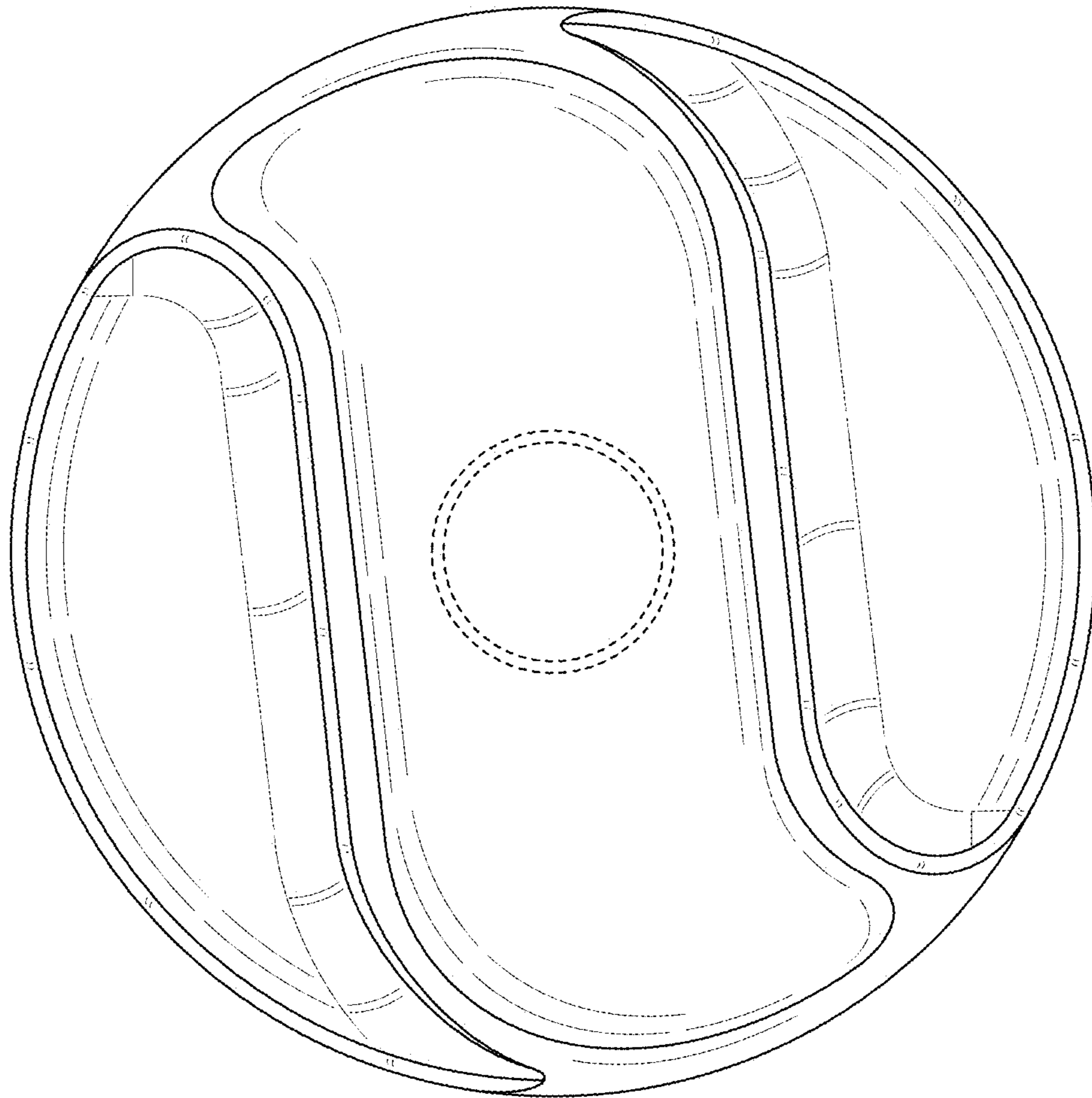


FIG. 28

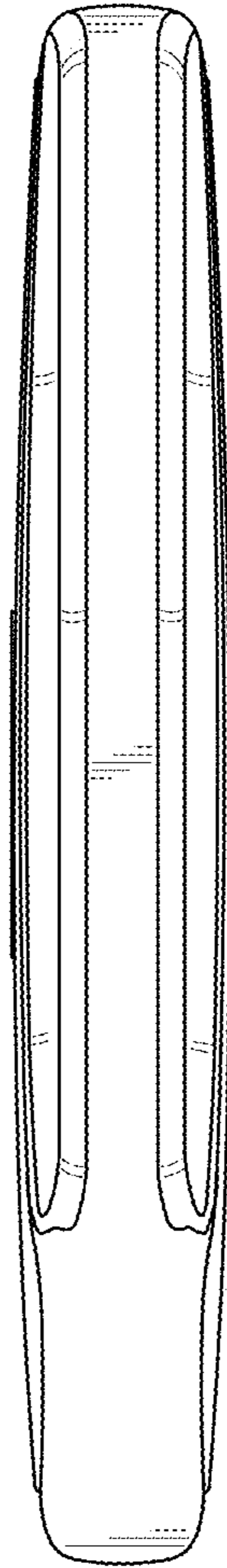


FIG. 29

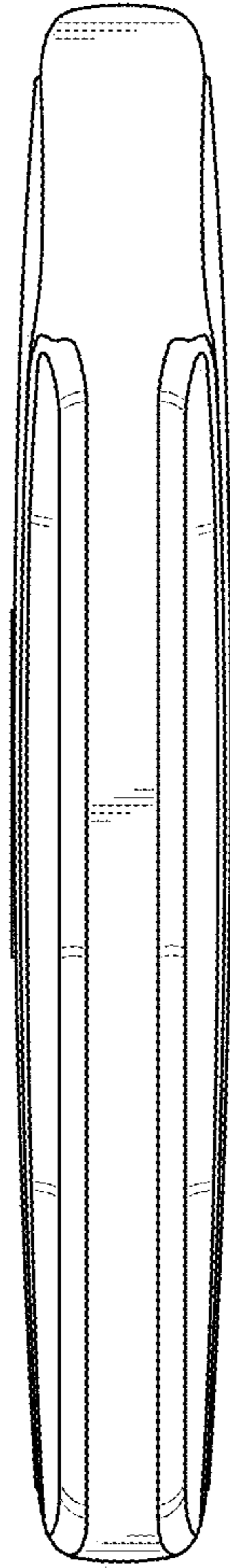


FIG. 30

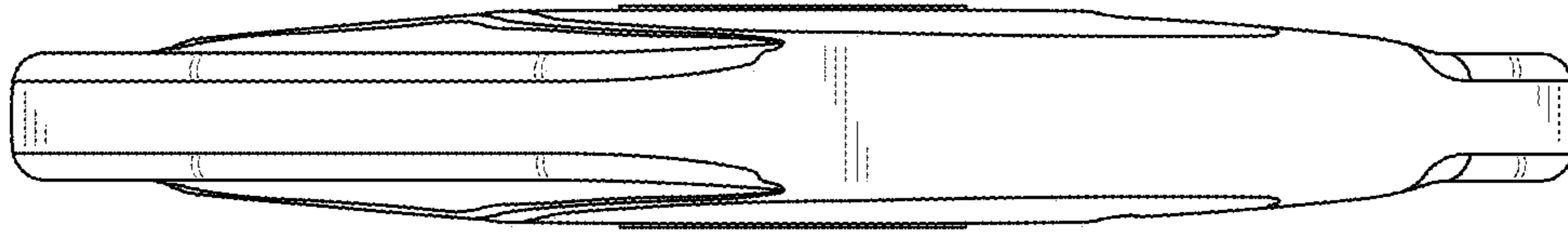


FIG. 31

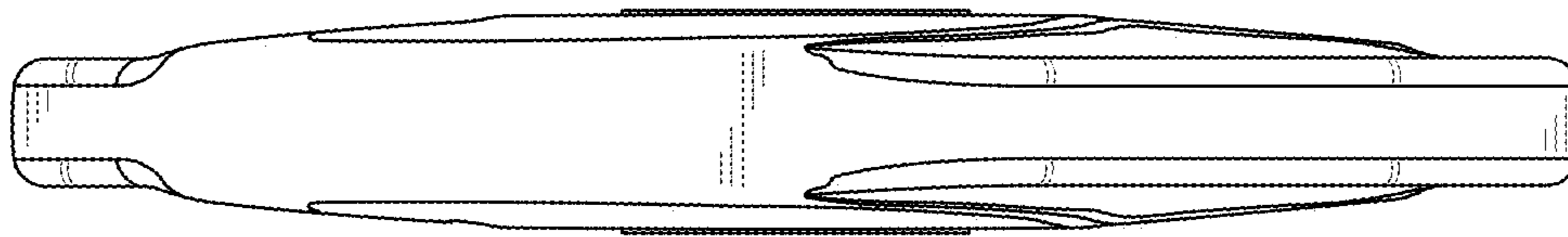


FIG. 32

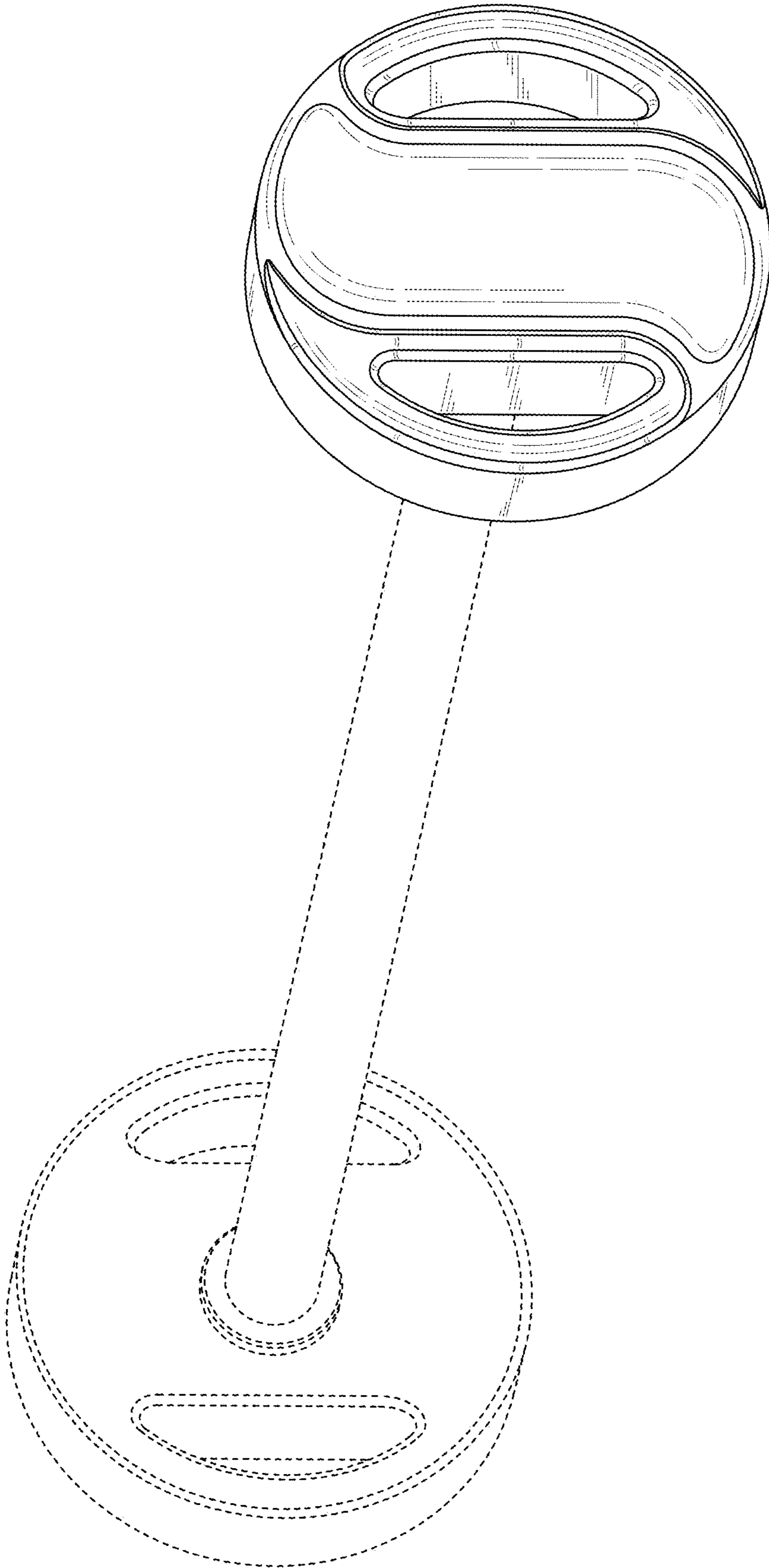


FIG. 33

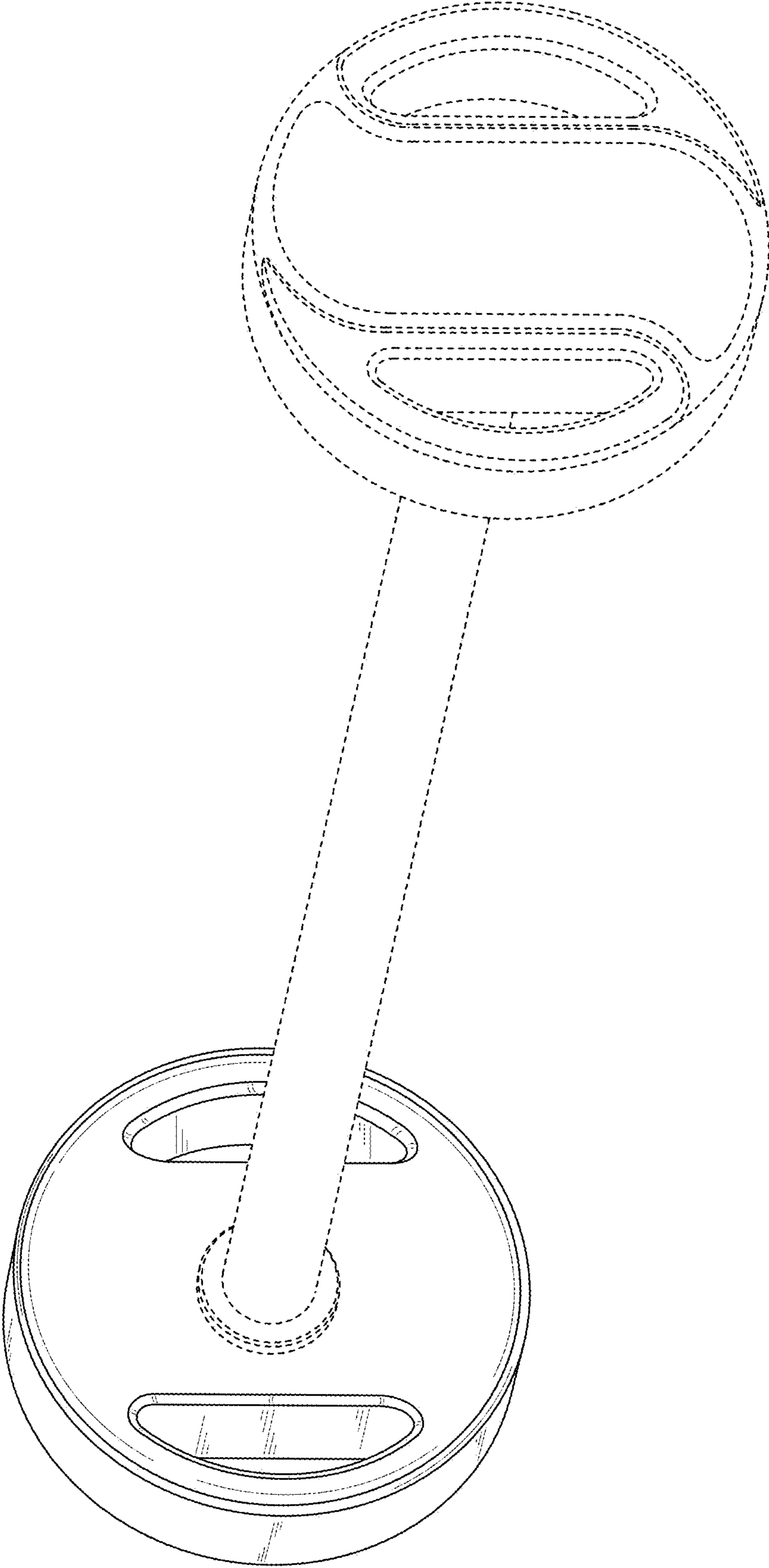


FIG. 34

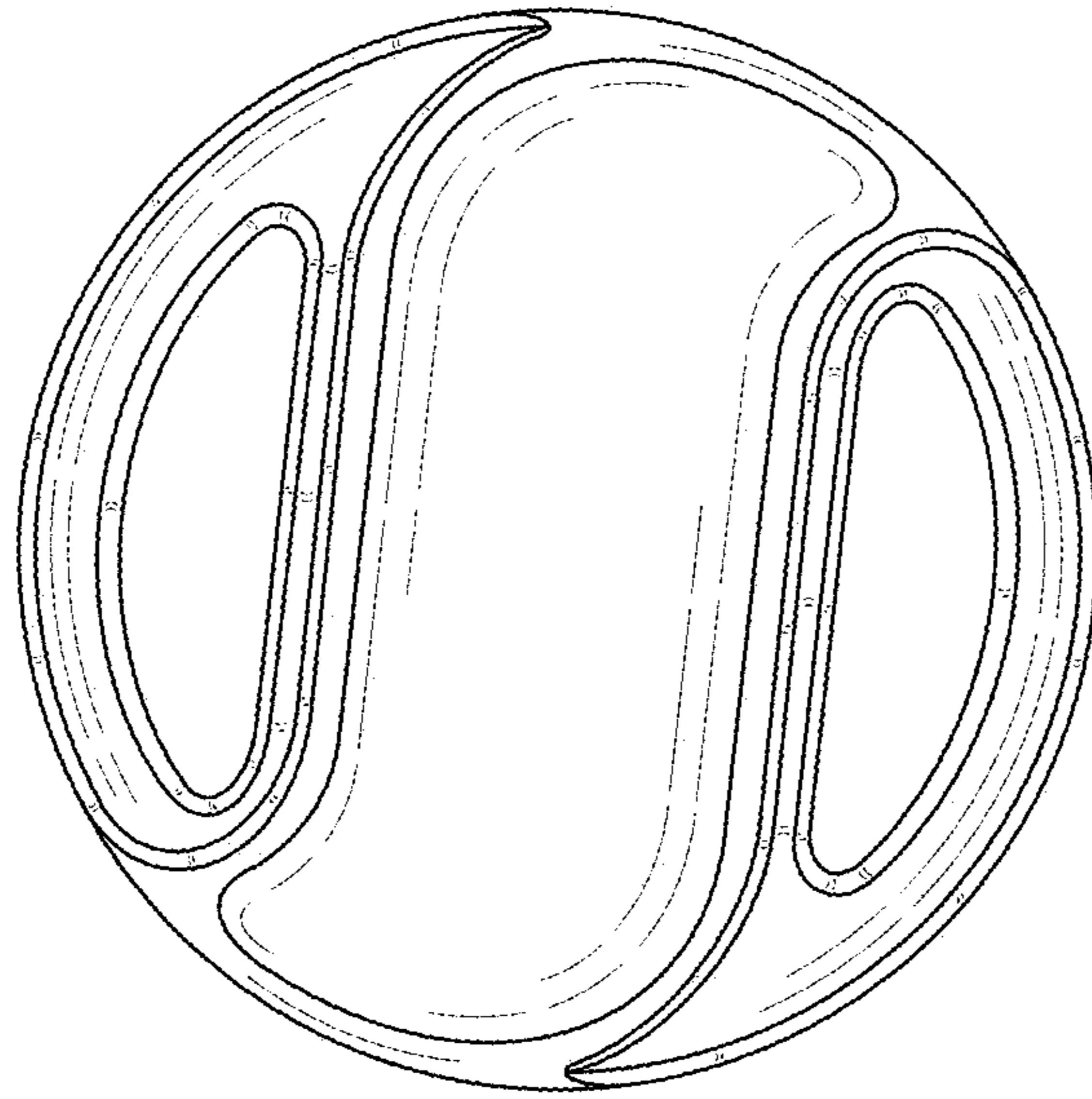


FIG. 35

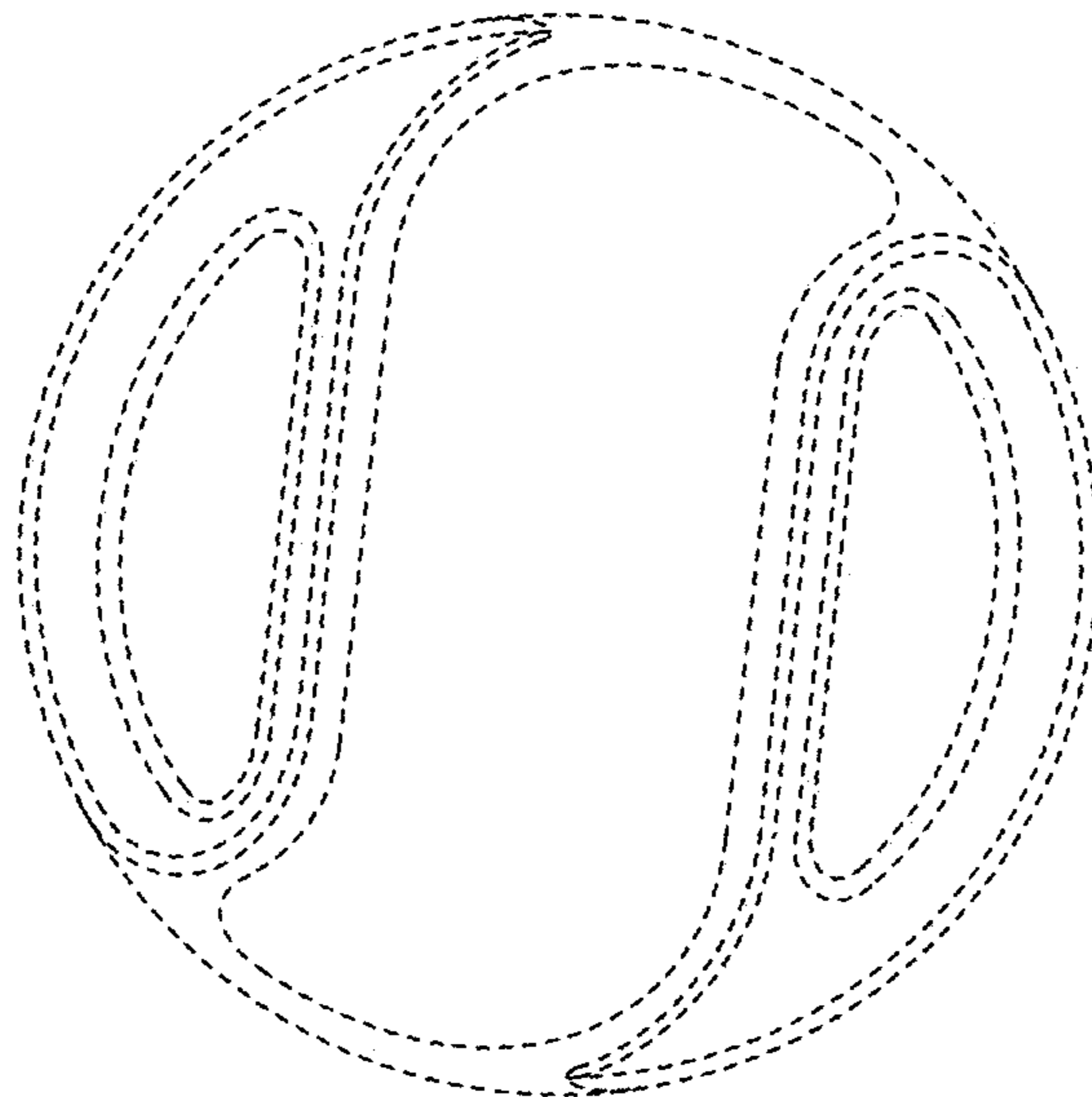


FIG. 36

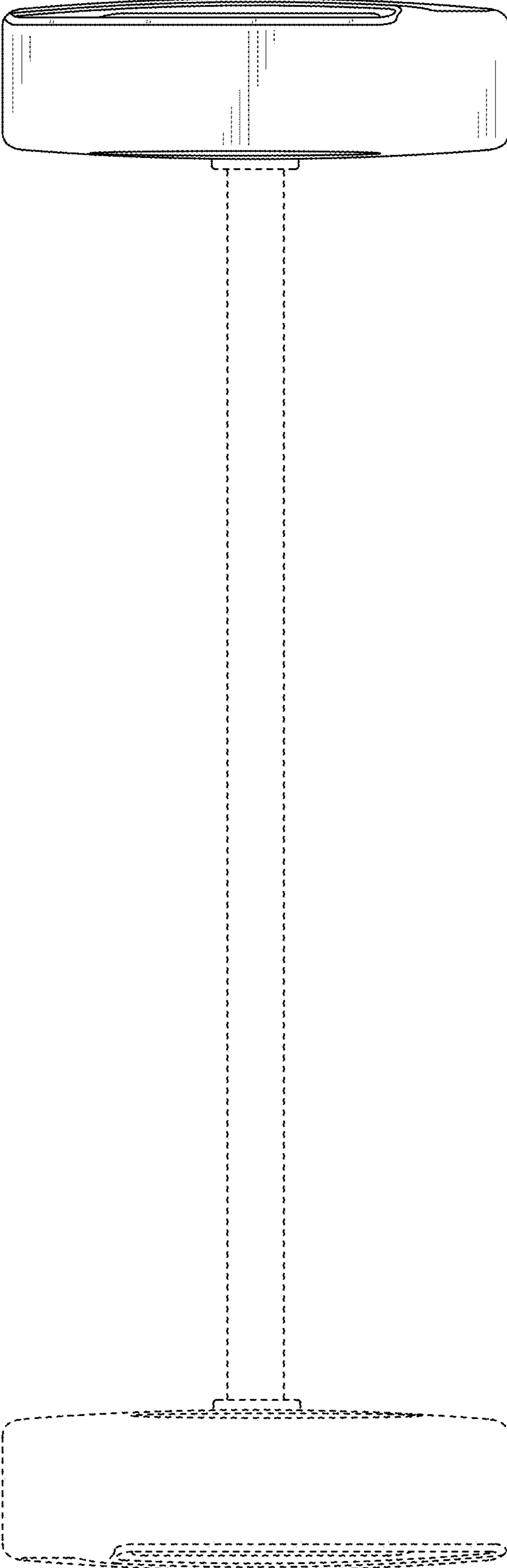


FIG. 37

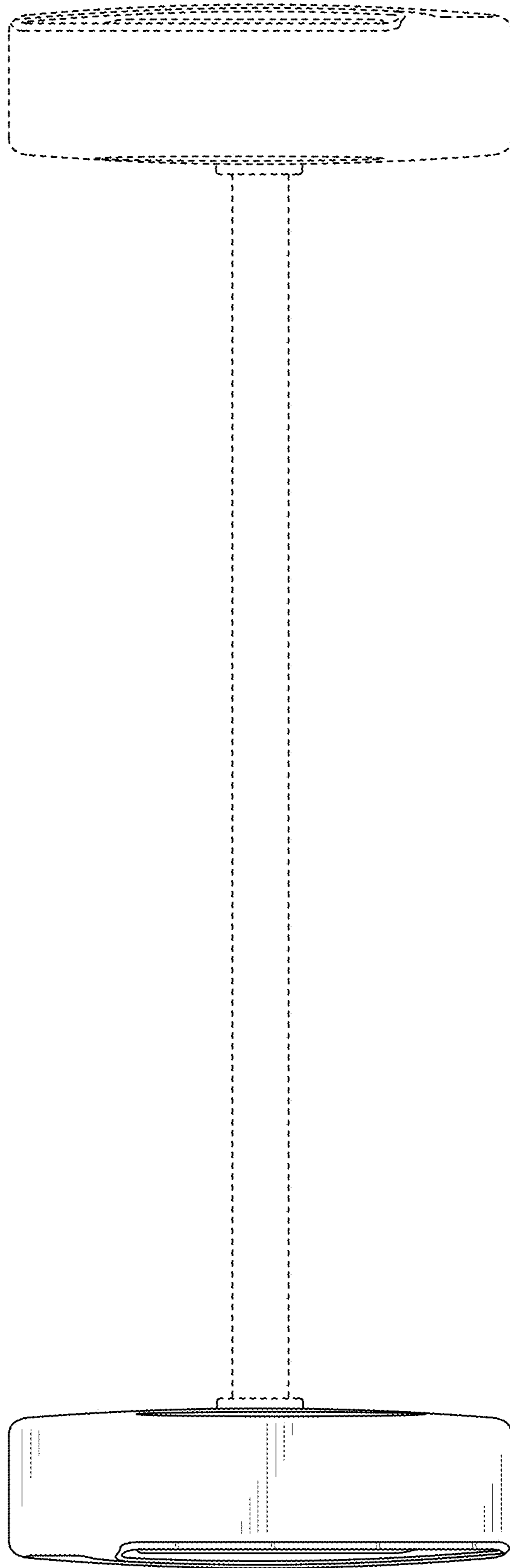


FIG. 38

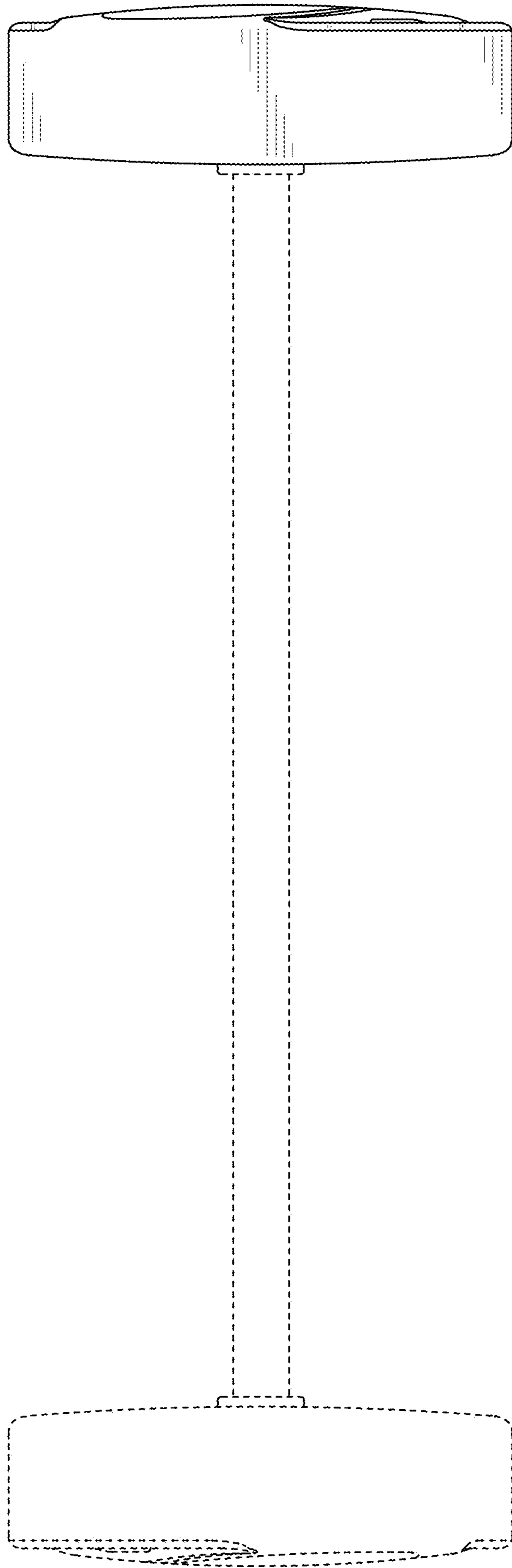


FIG. 39

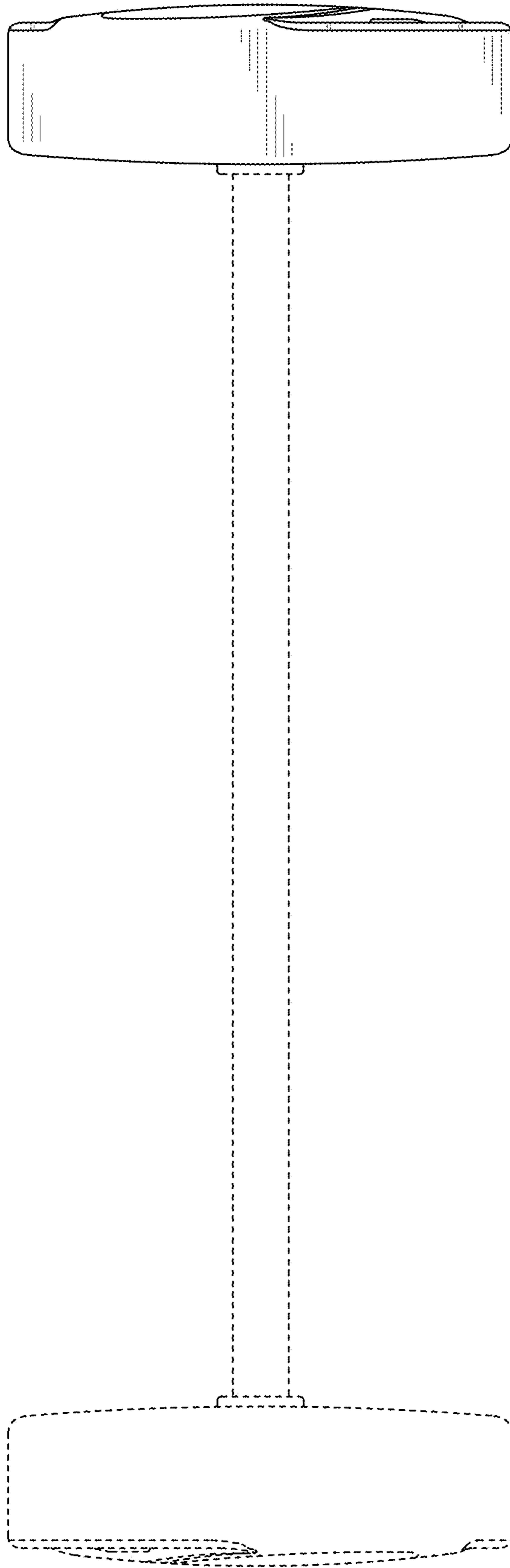


FIG. 40

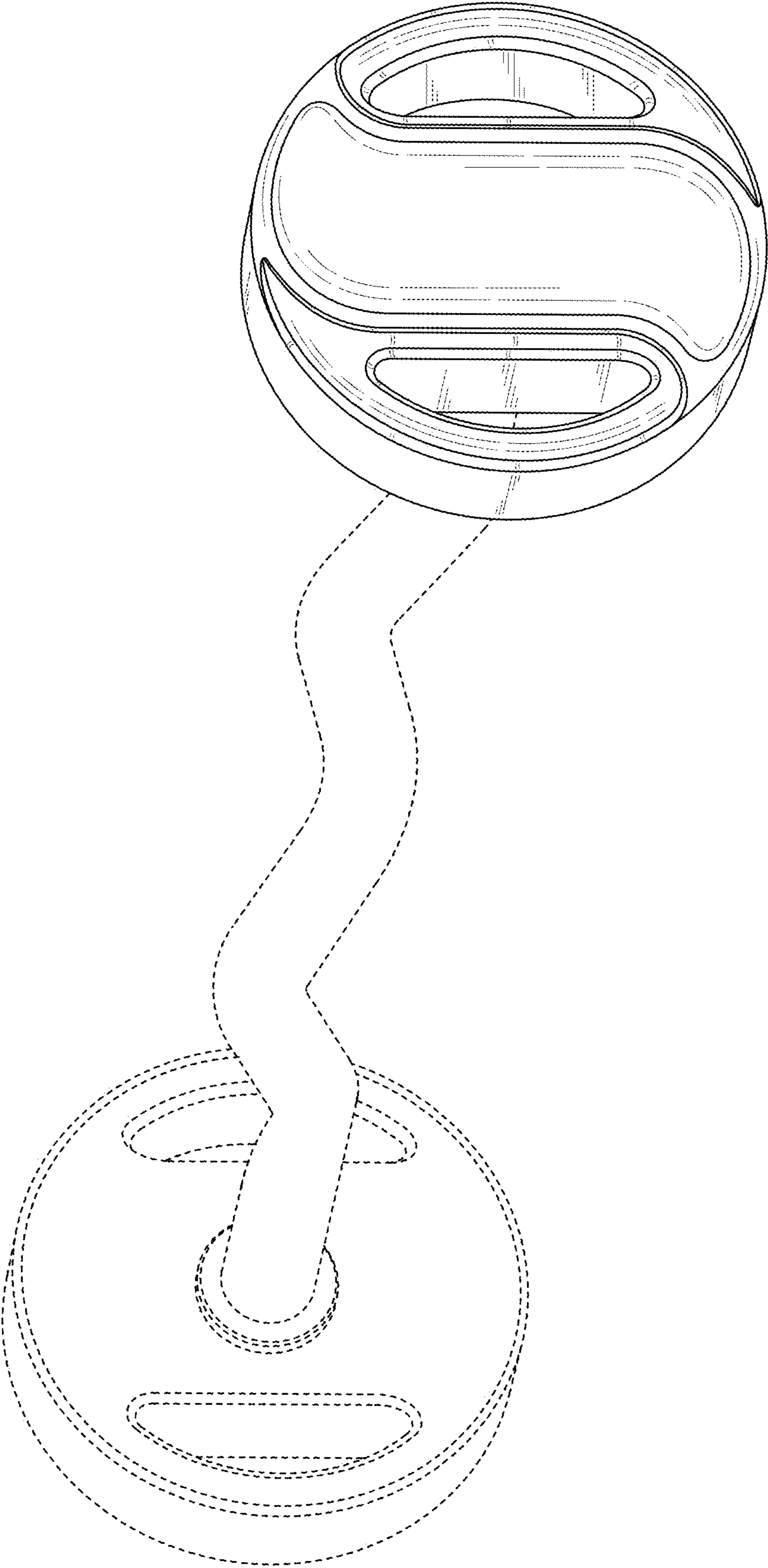


FIG. 41

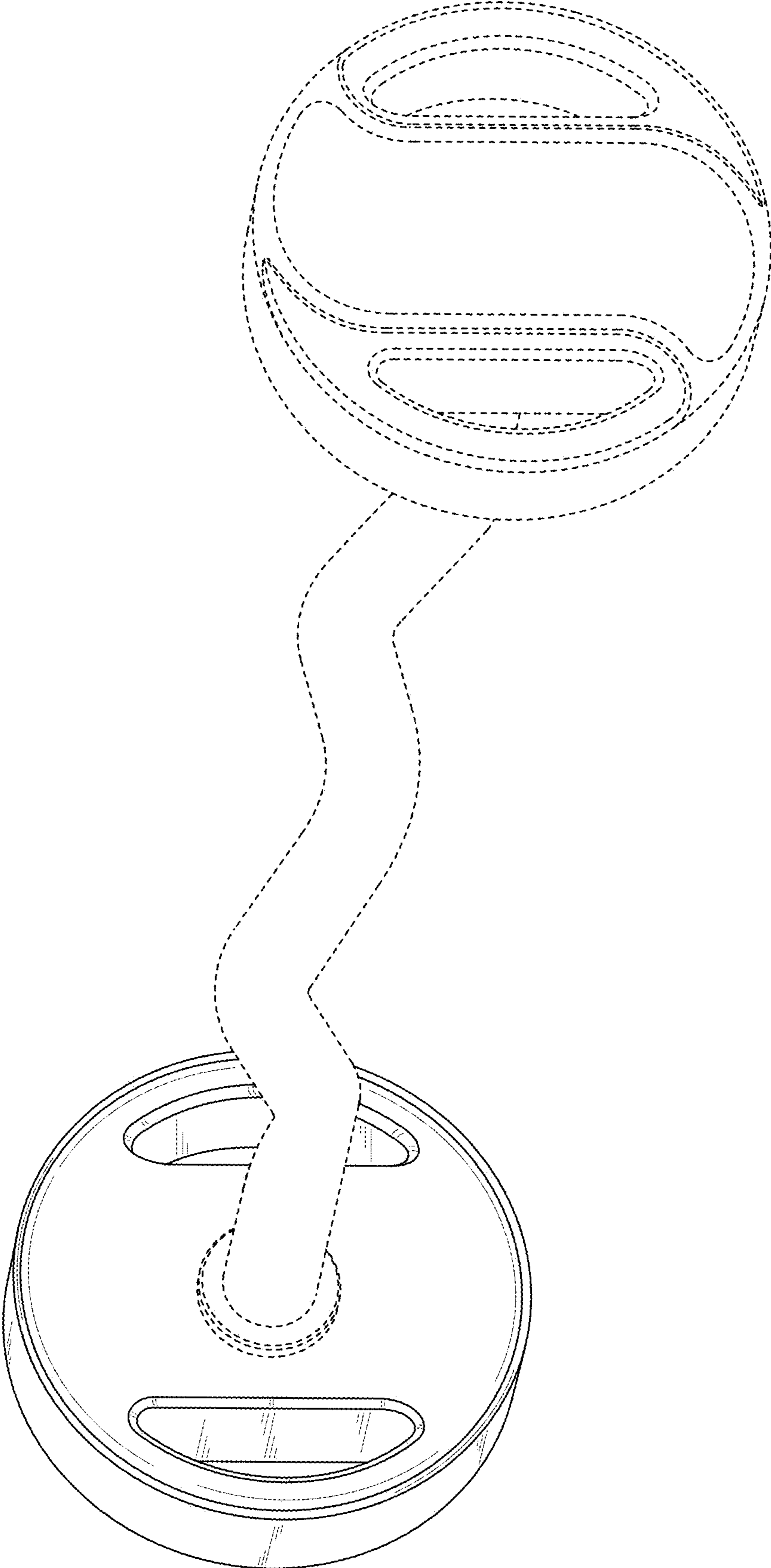


FIG. 42

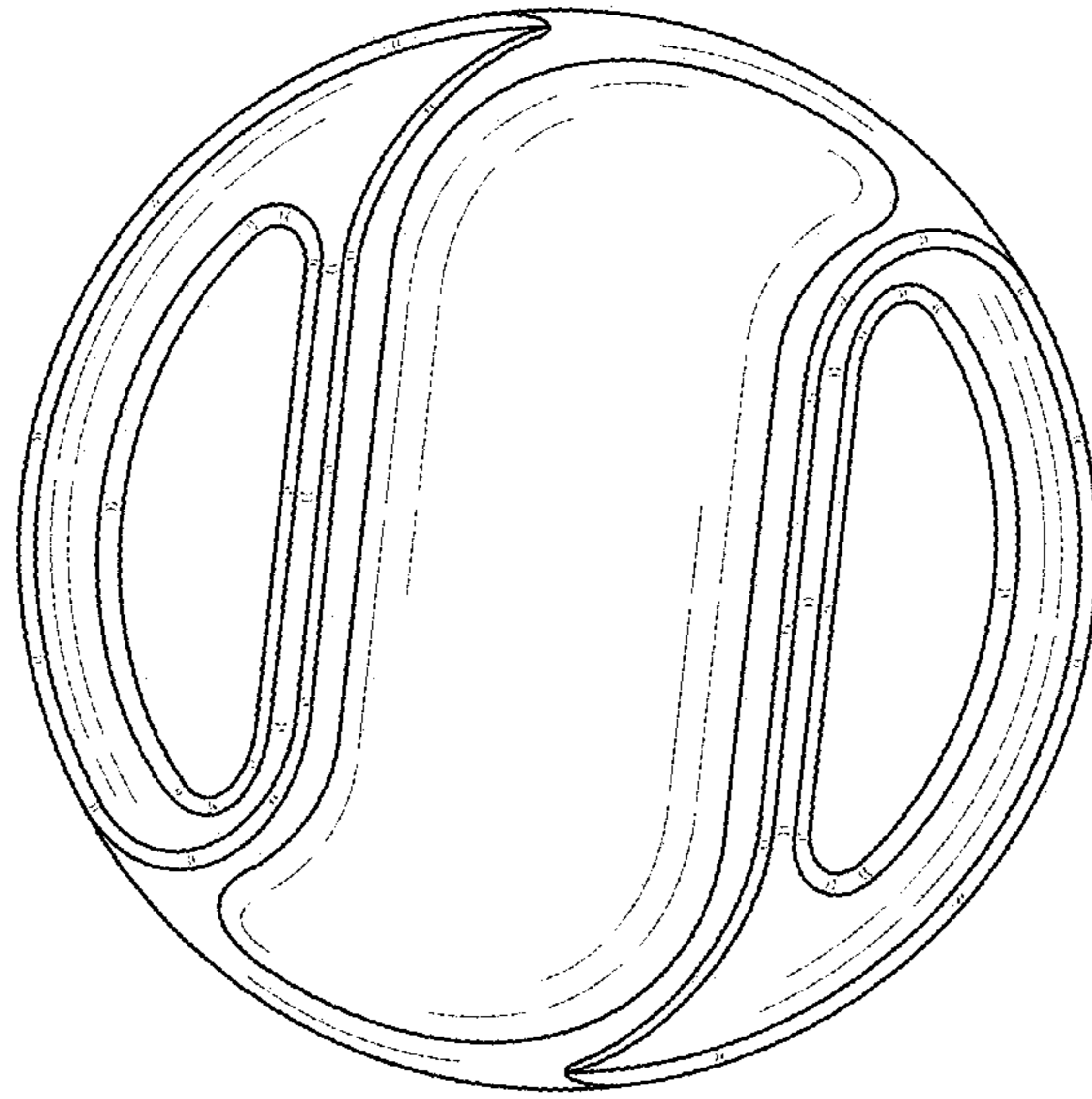


FIG. 43

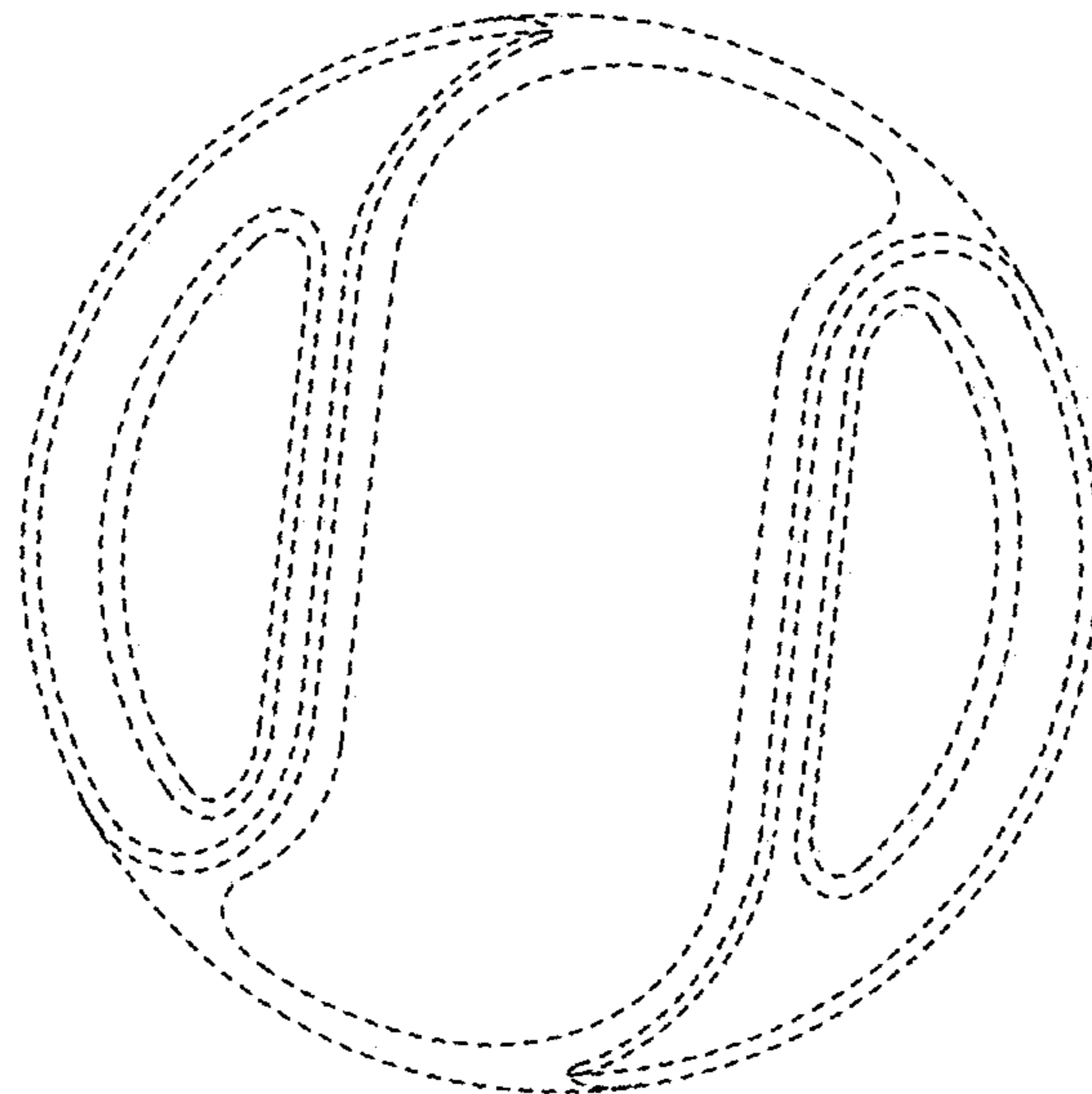


FIG. 44

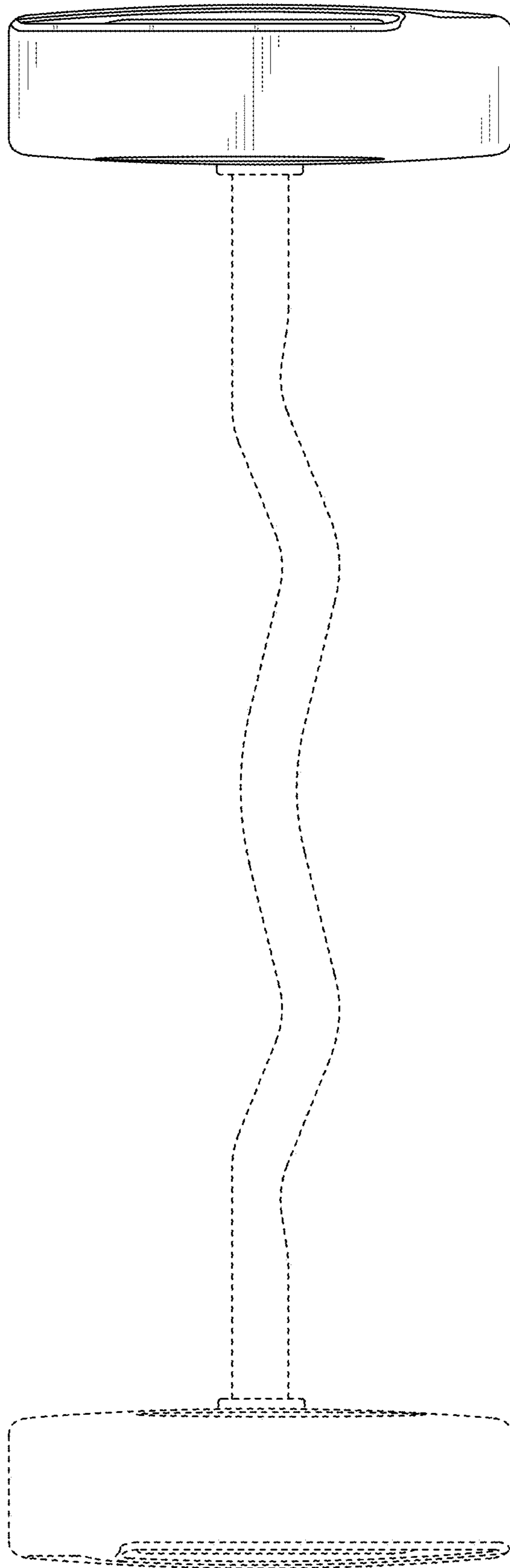


FIG. 45

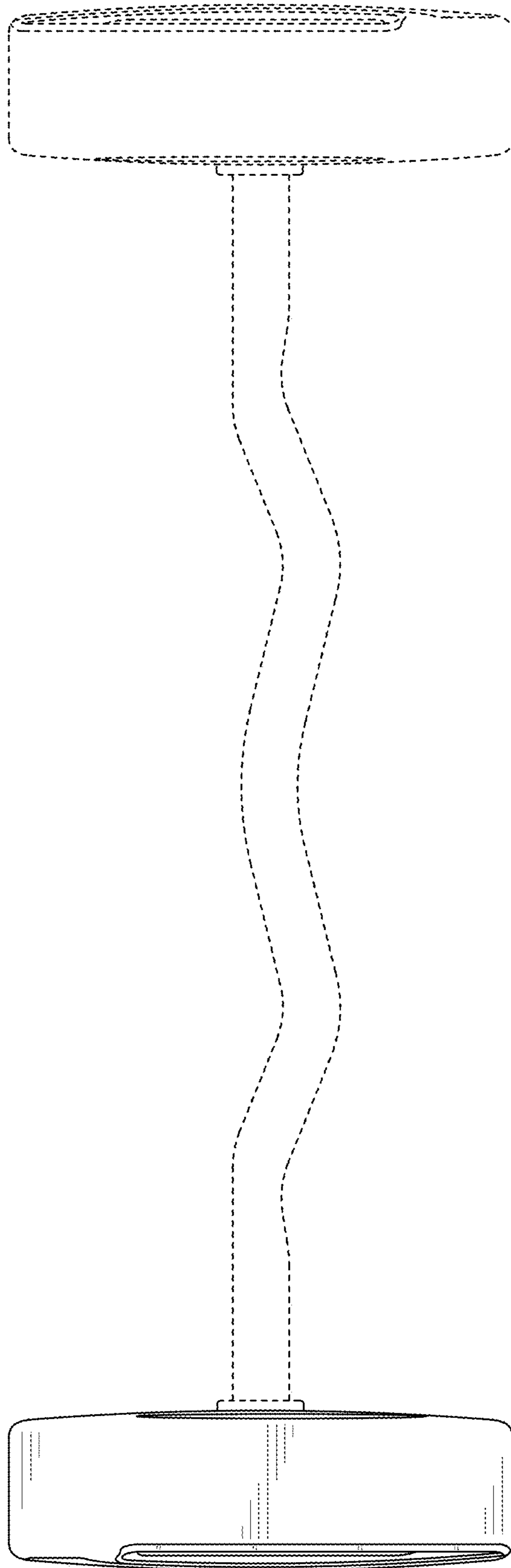


FIG. 46

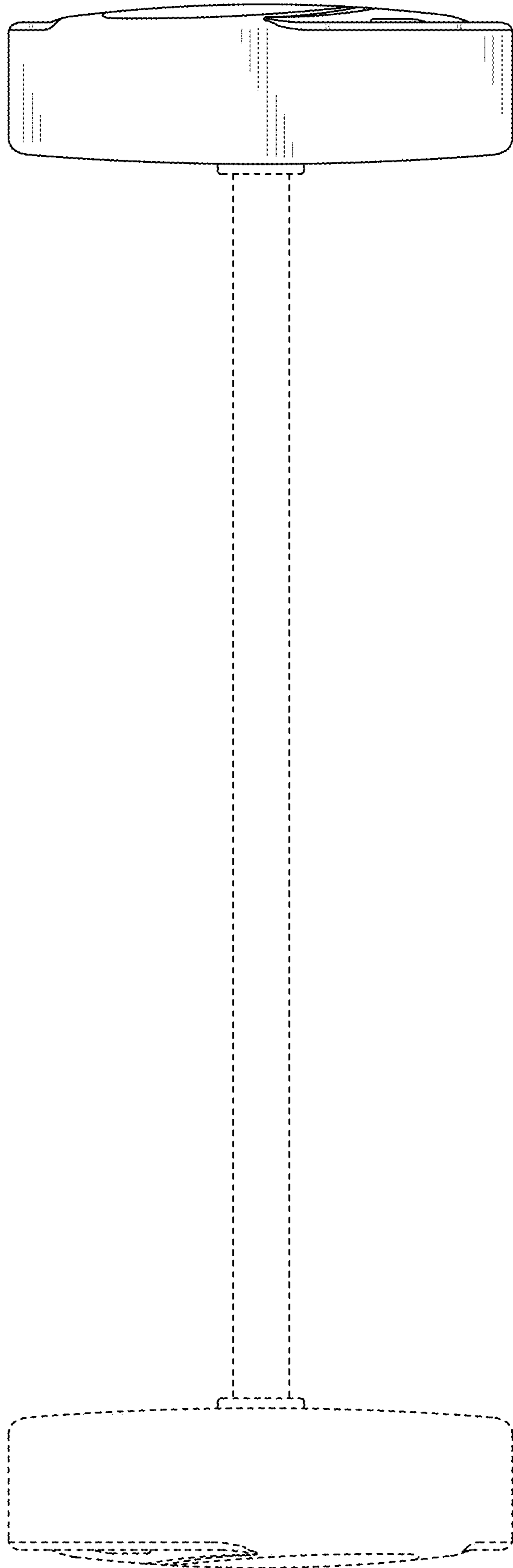


FIG. 47

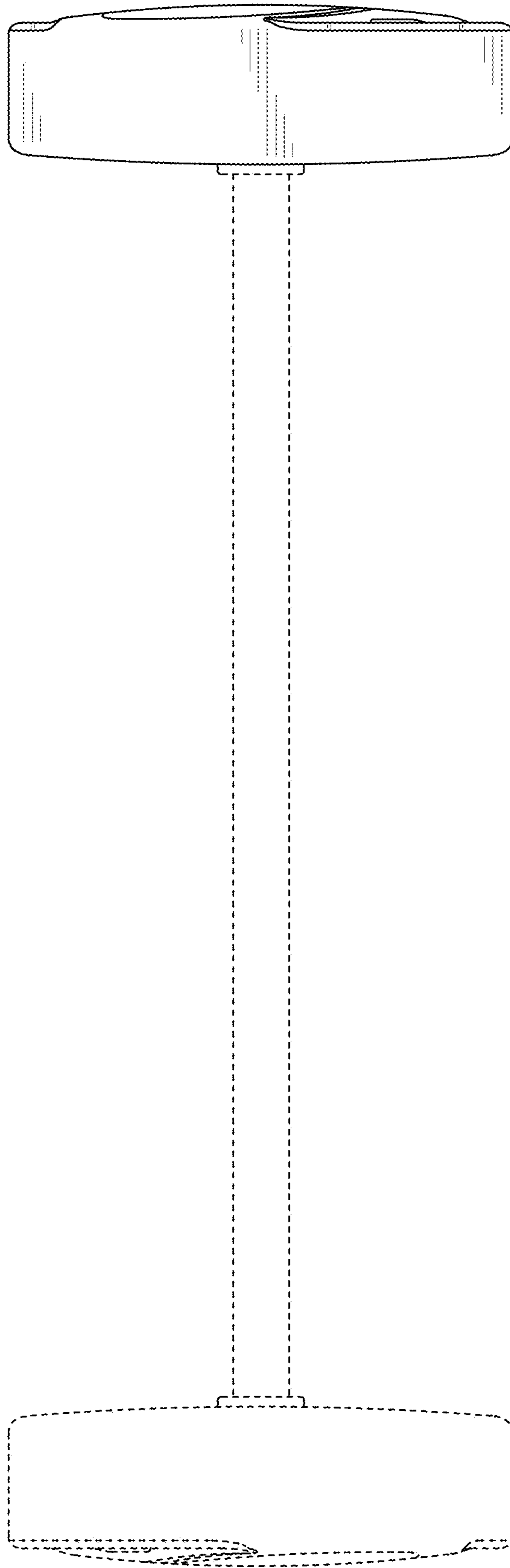


FIG. 48

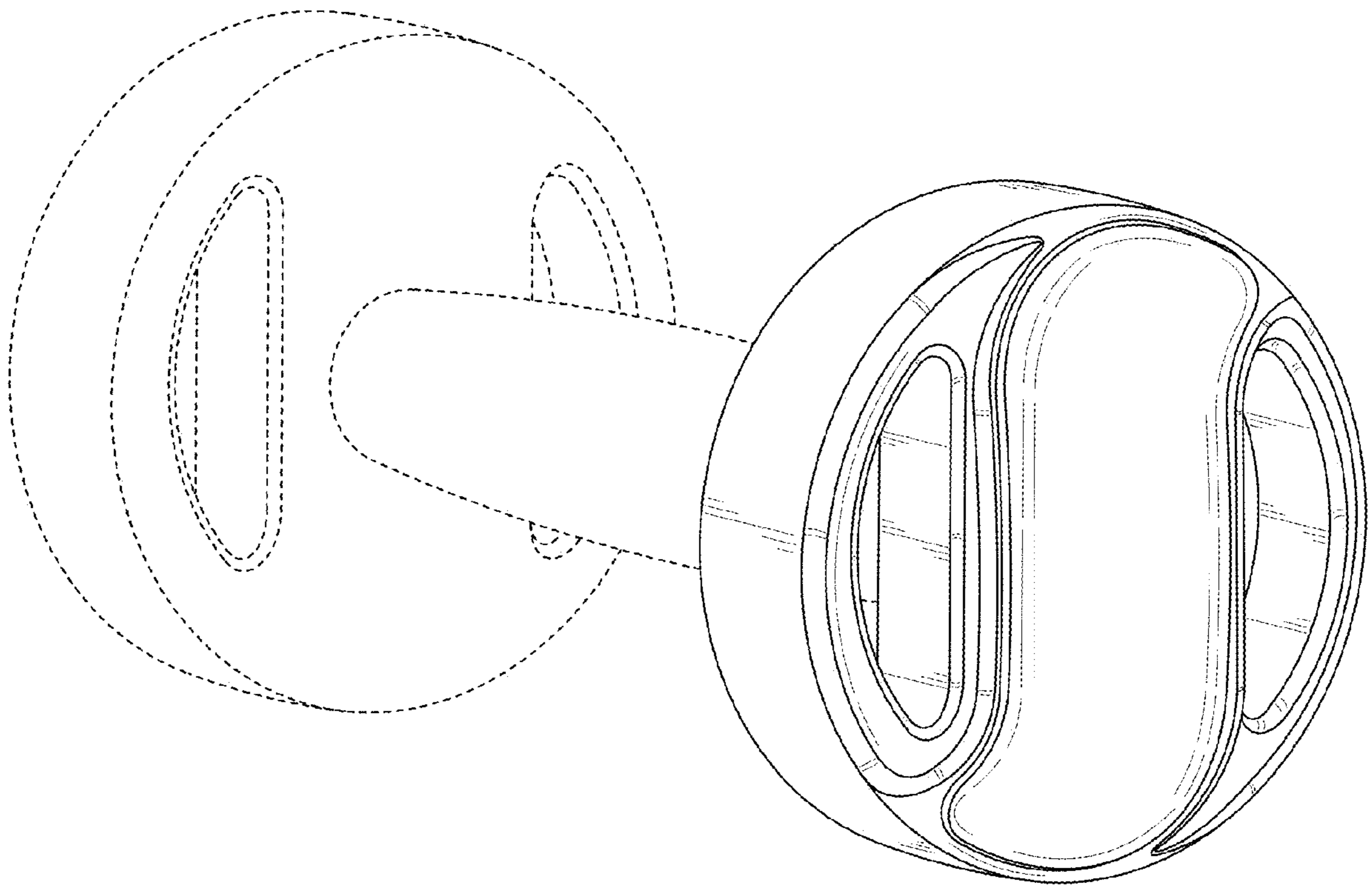


FIG. 49

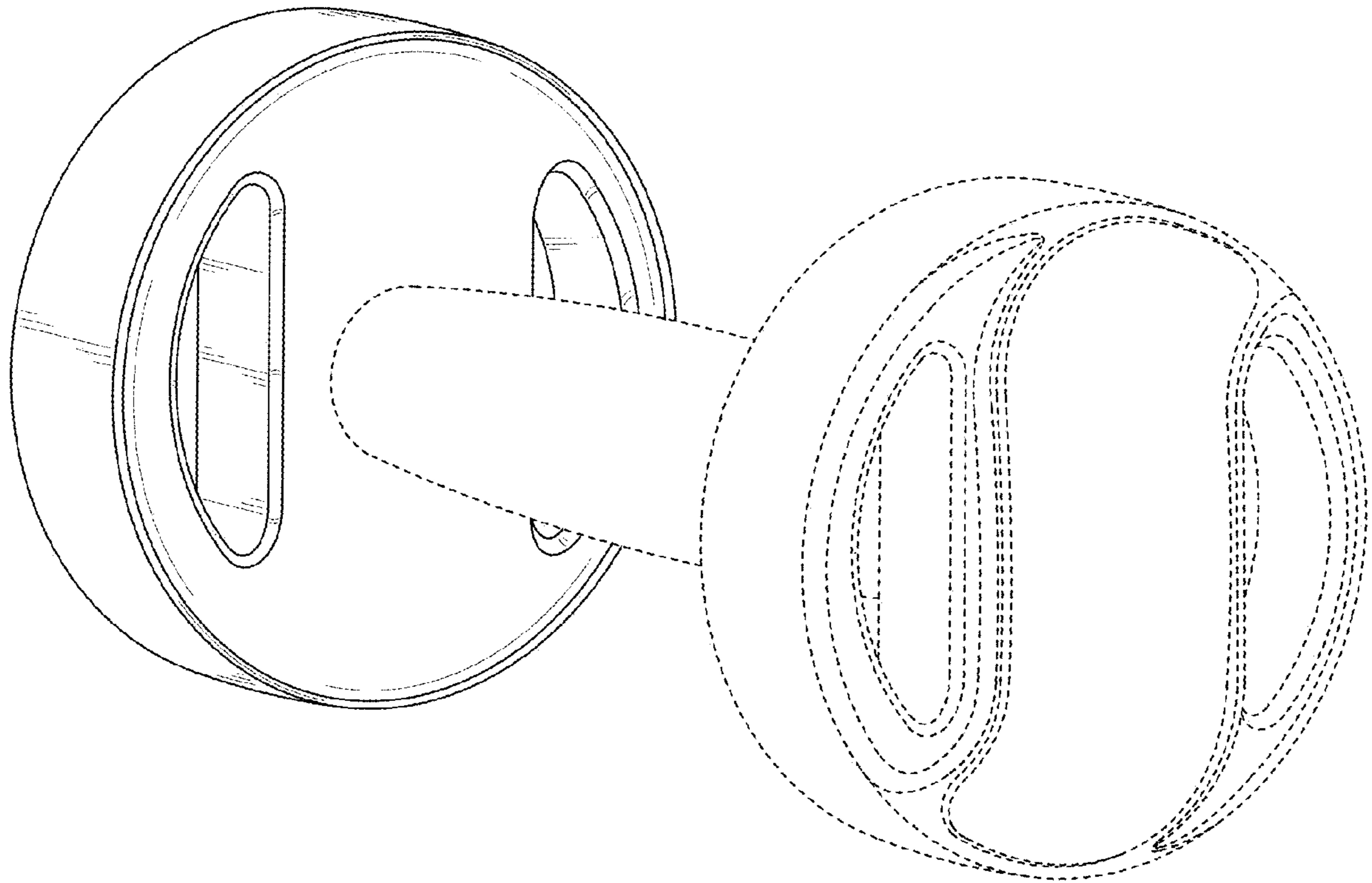


FIG. 50

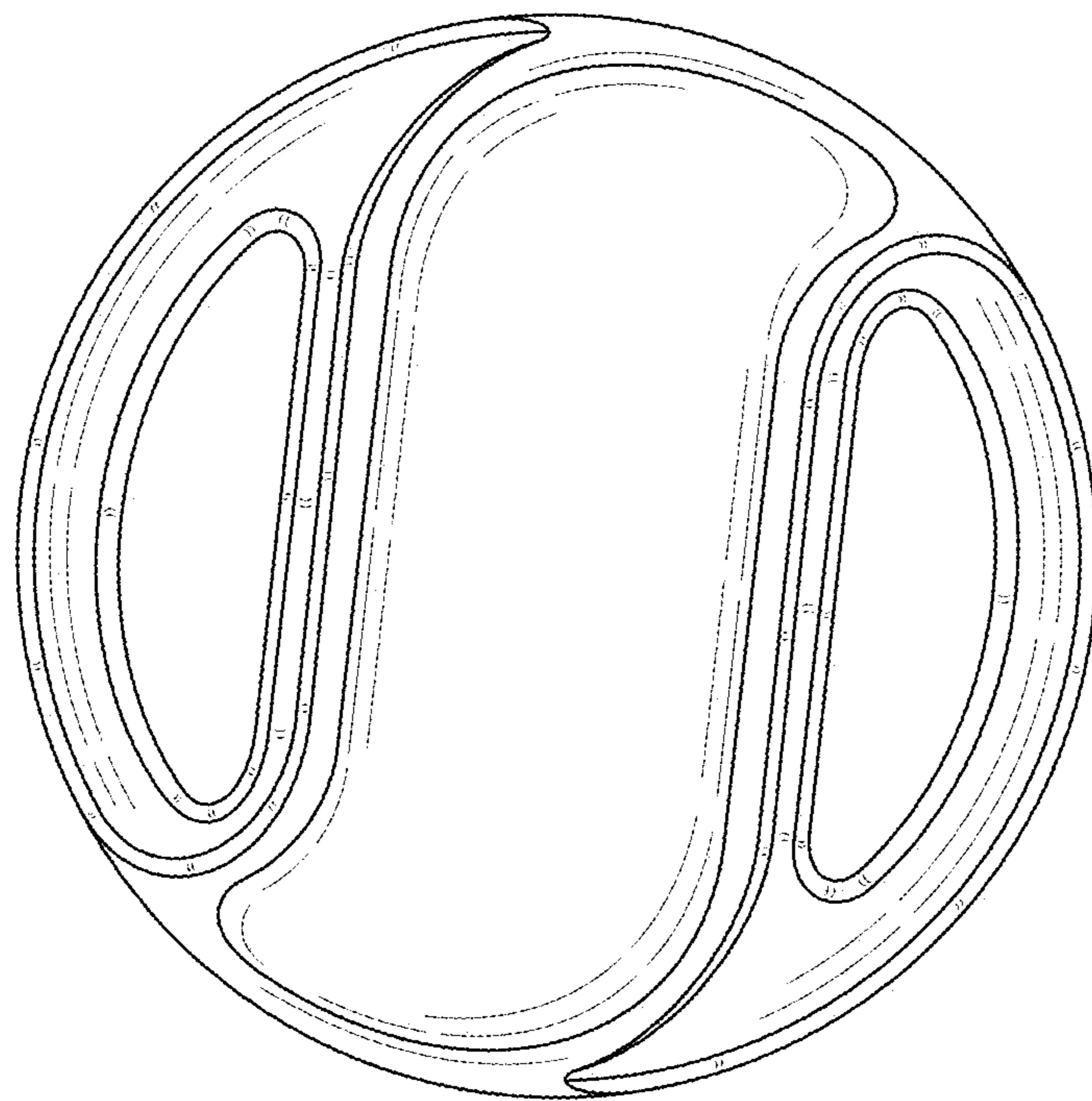


FIG. 51

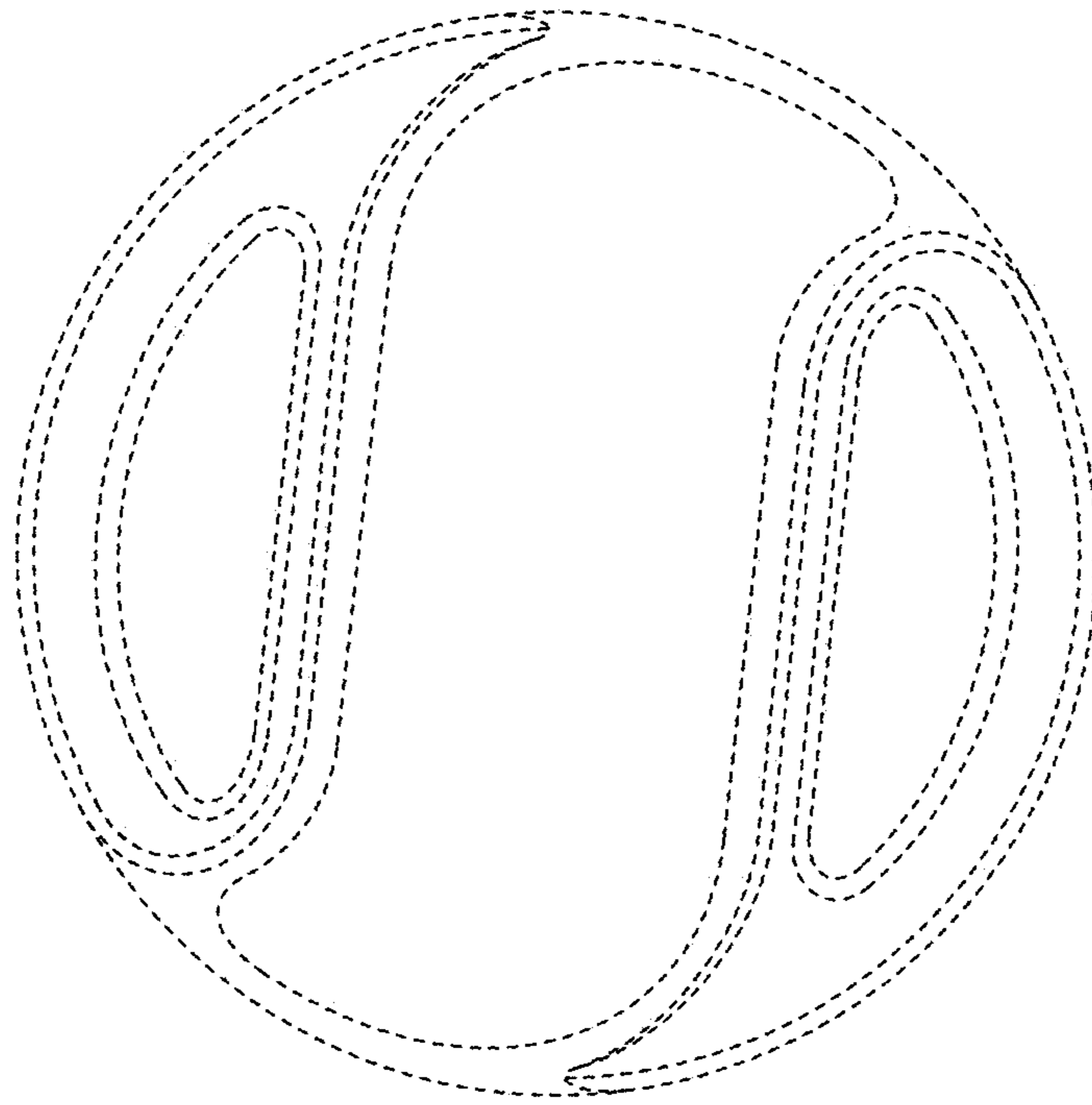


FIG. 52

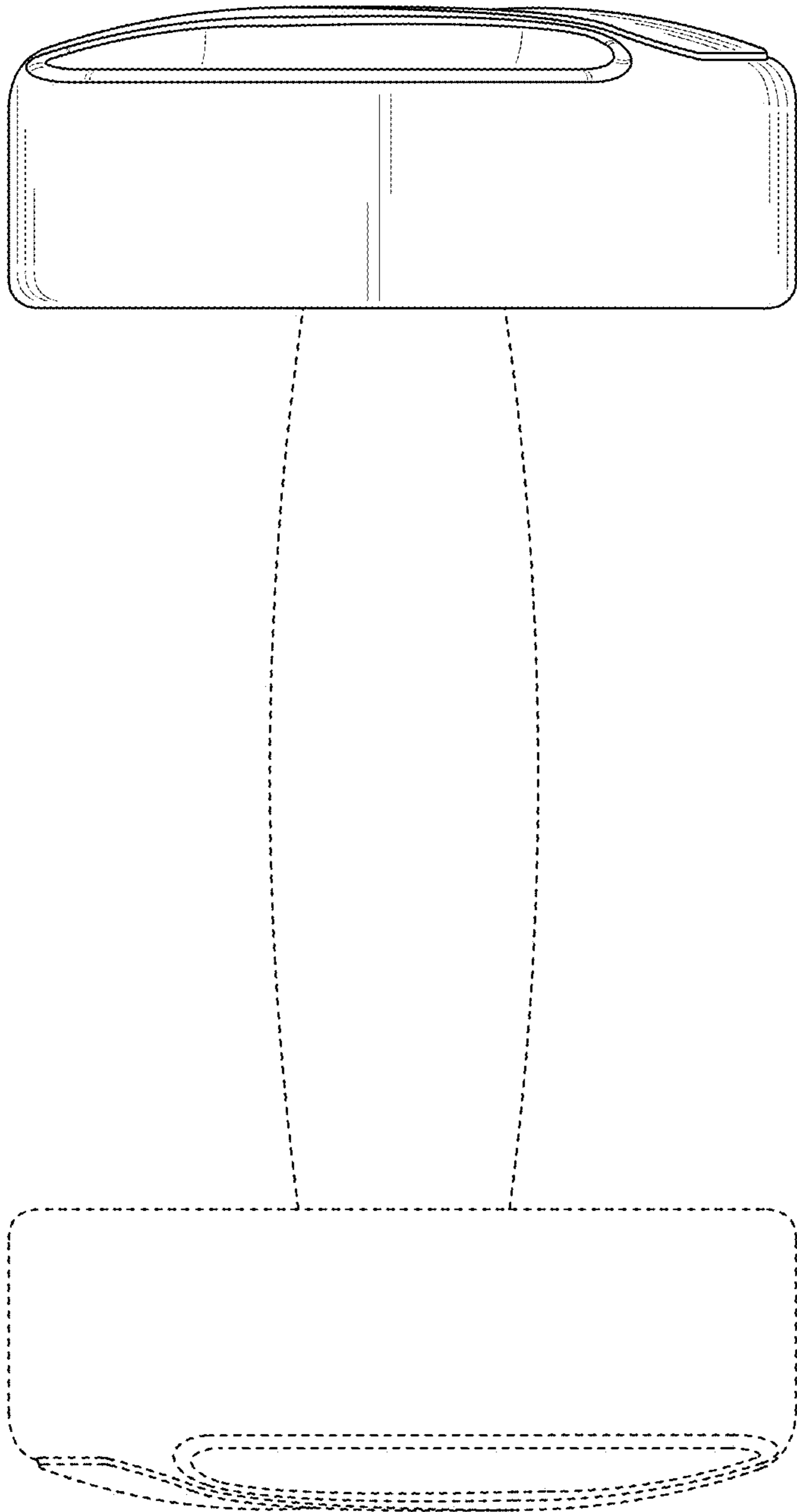


FIG. 53

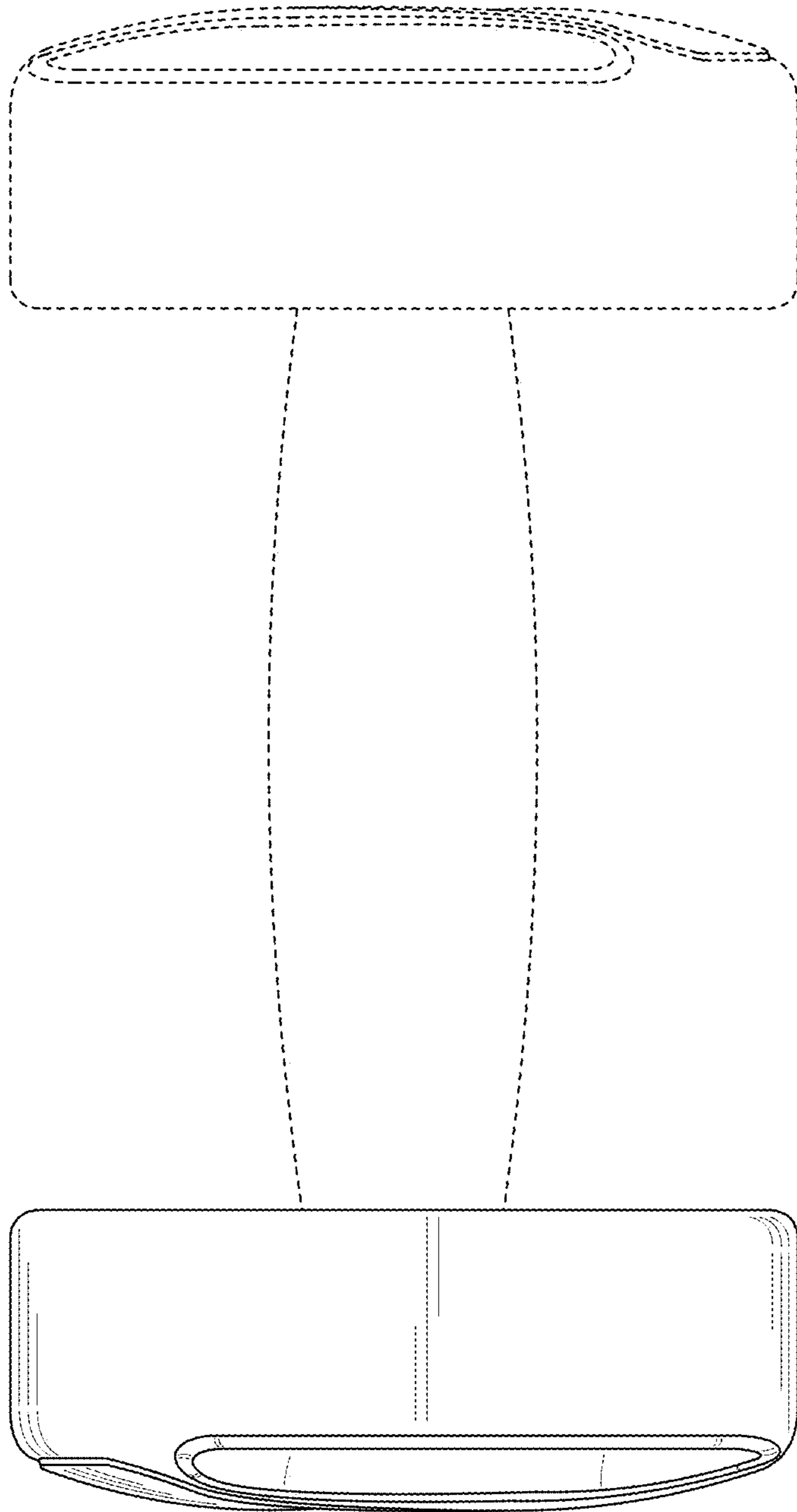


FIG. 54

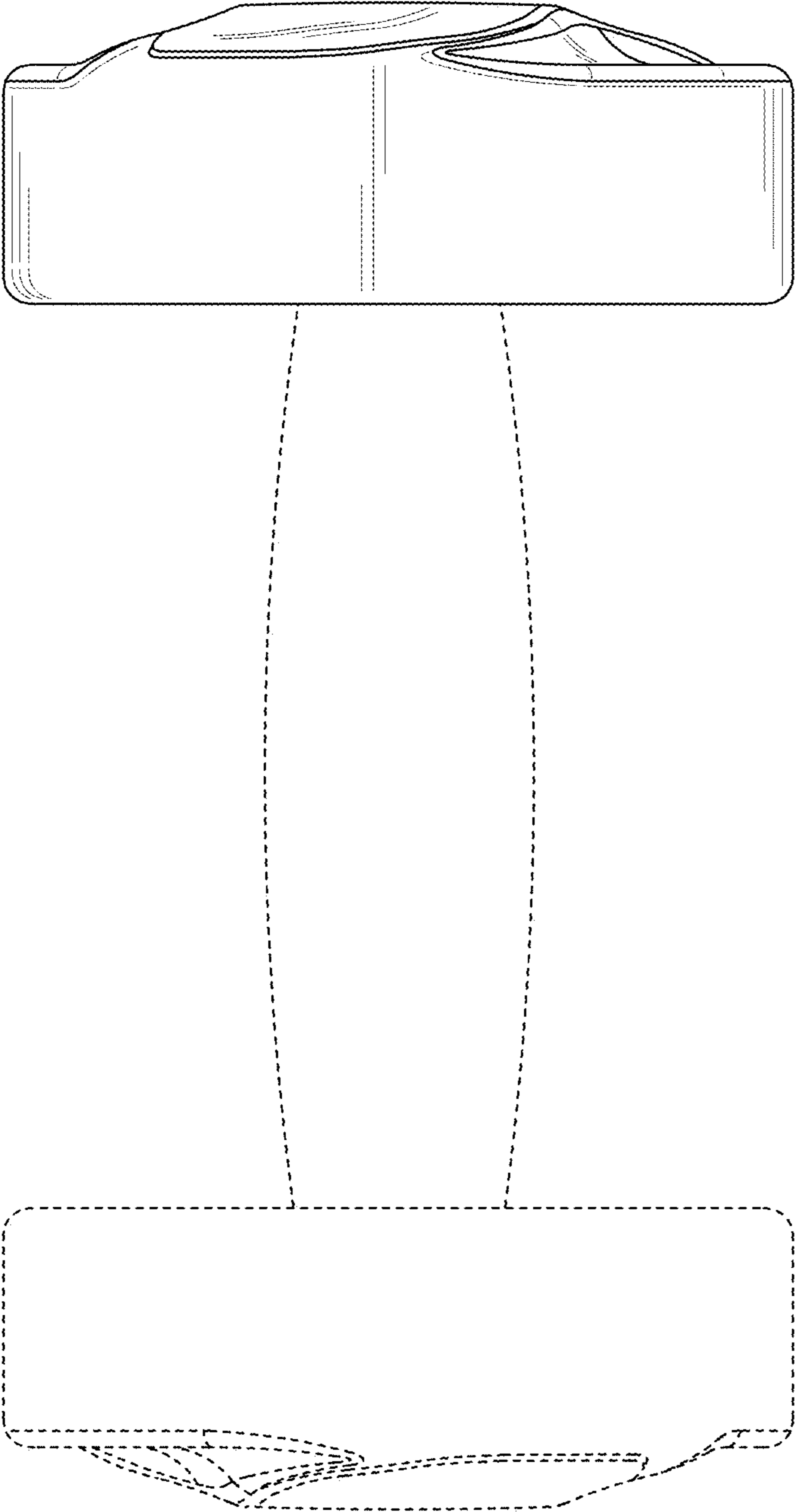


FIG. 55

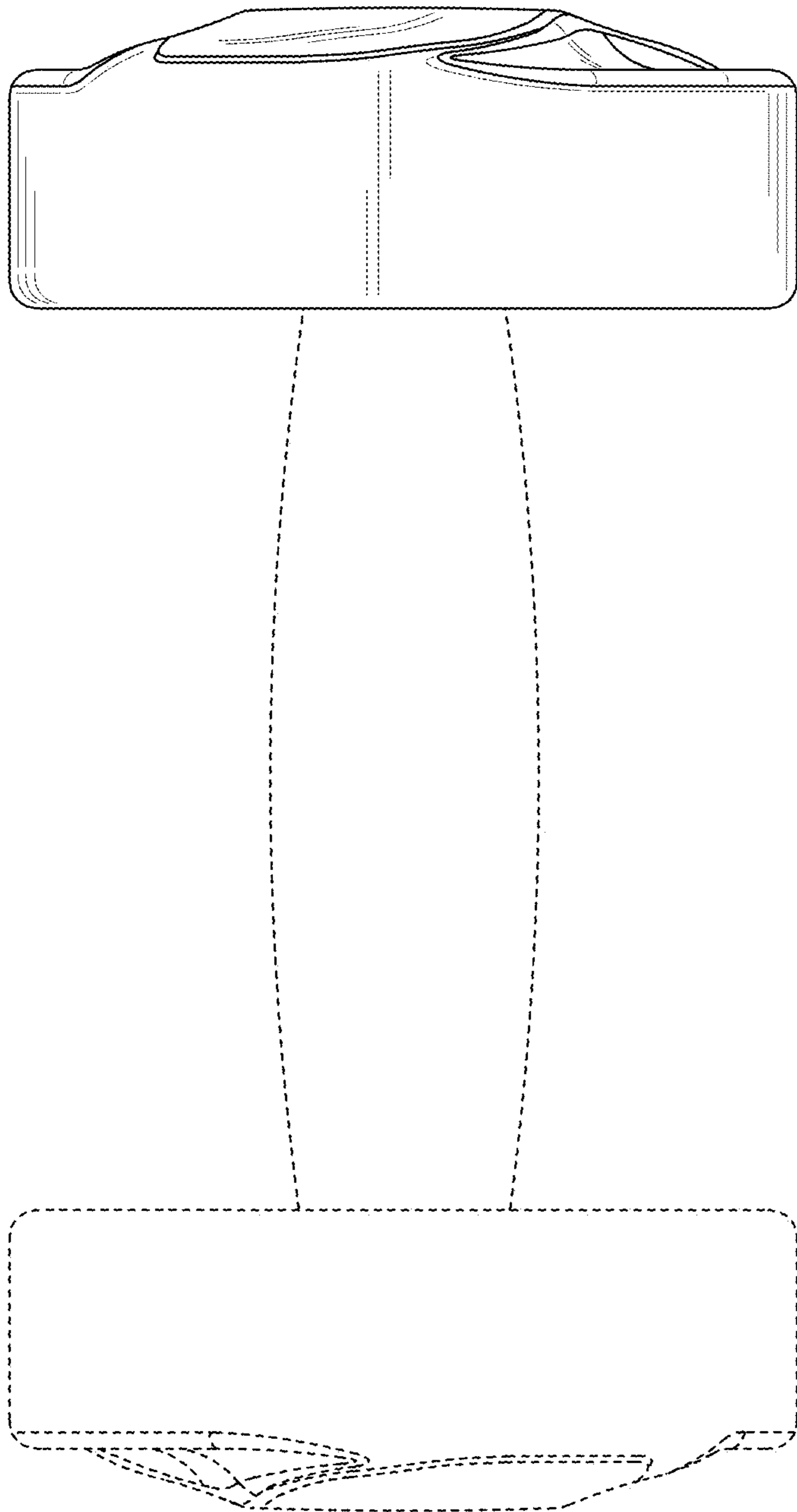


FIG. 56

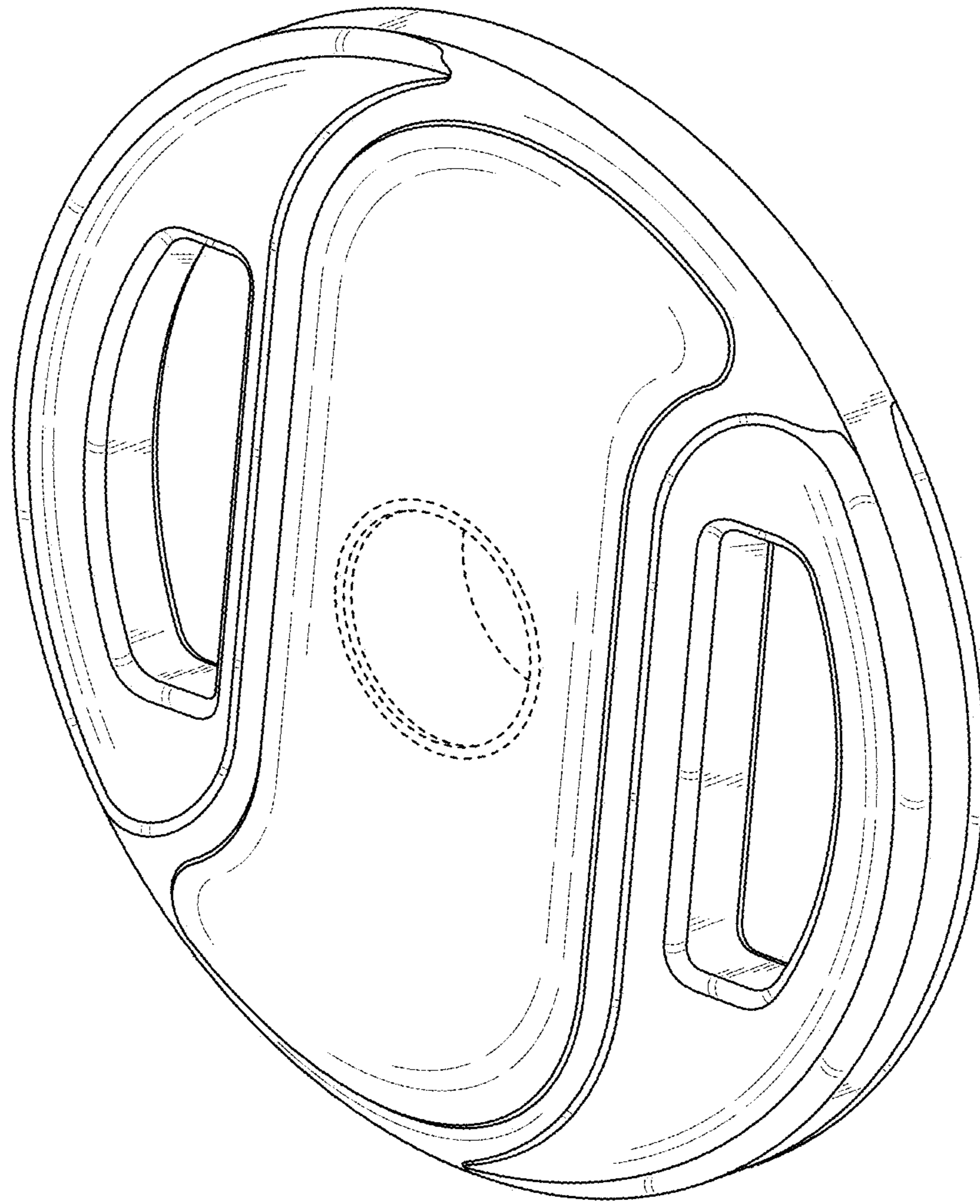


FIG. 57

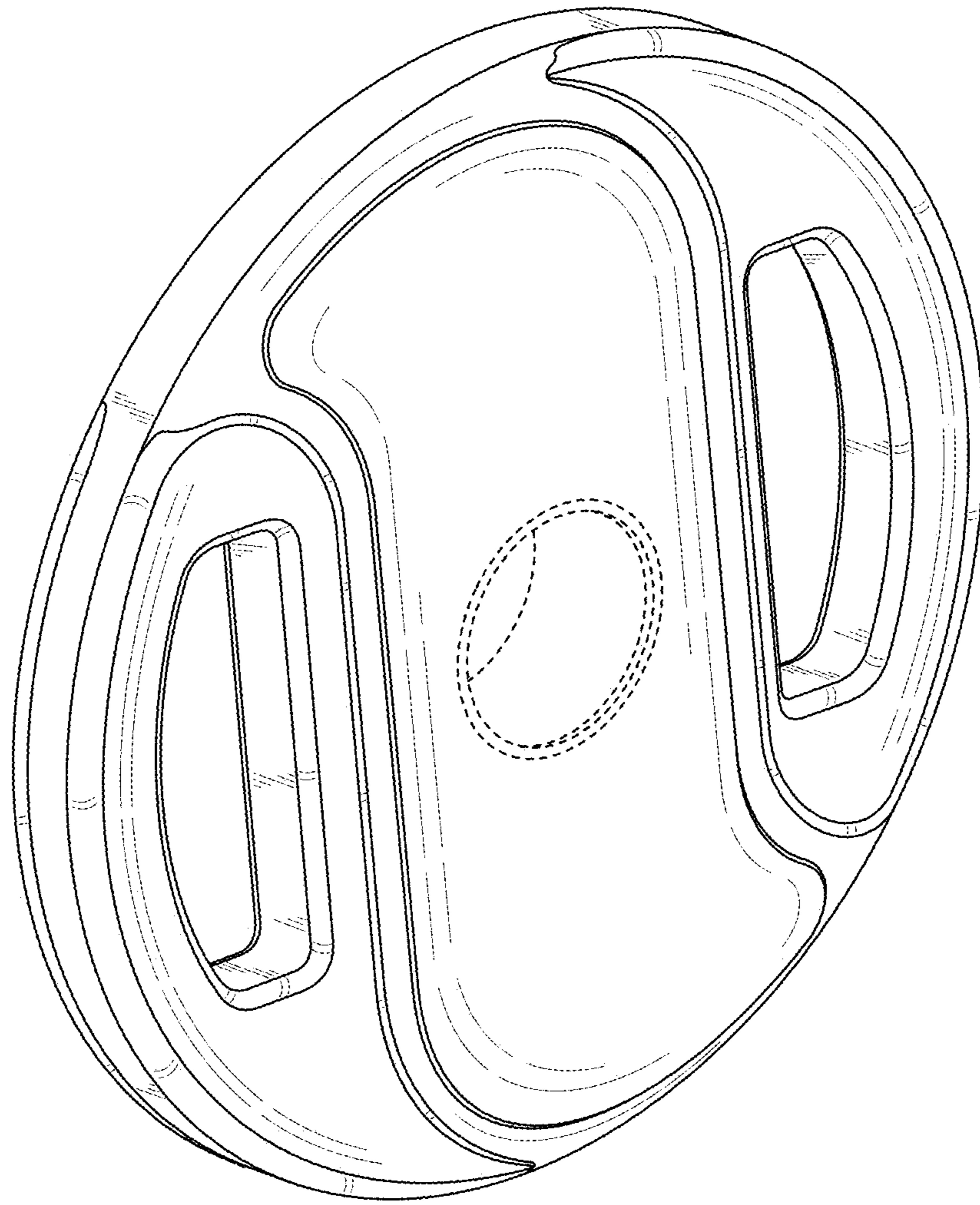


FIG. 58

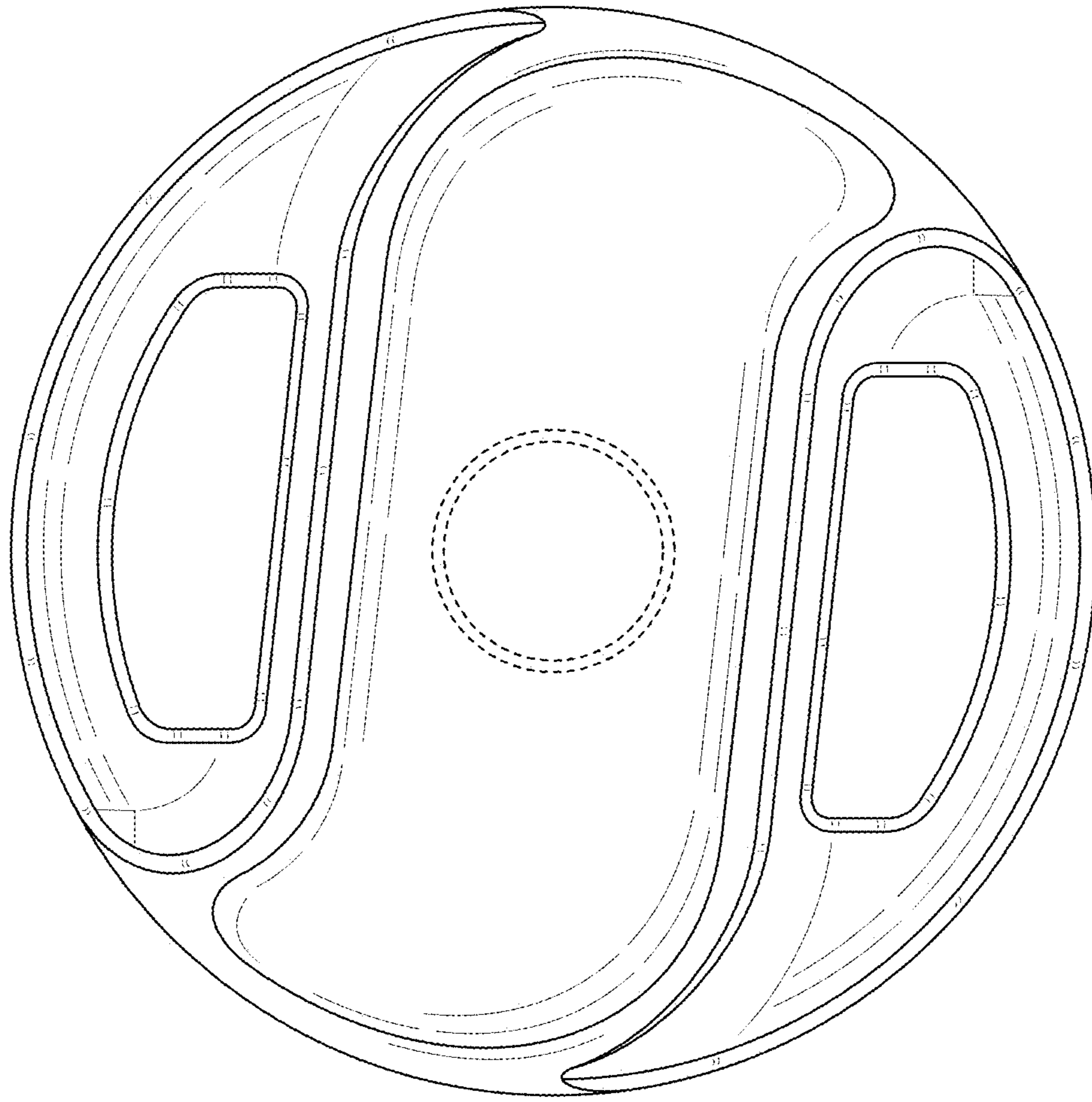


FIG. 59

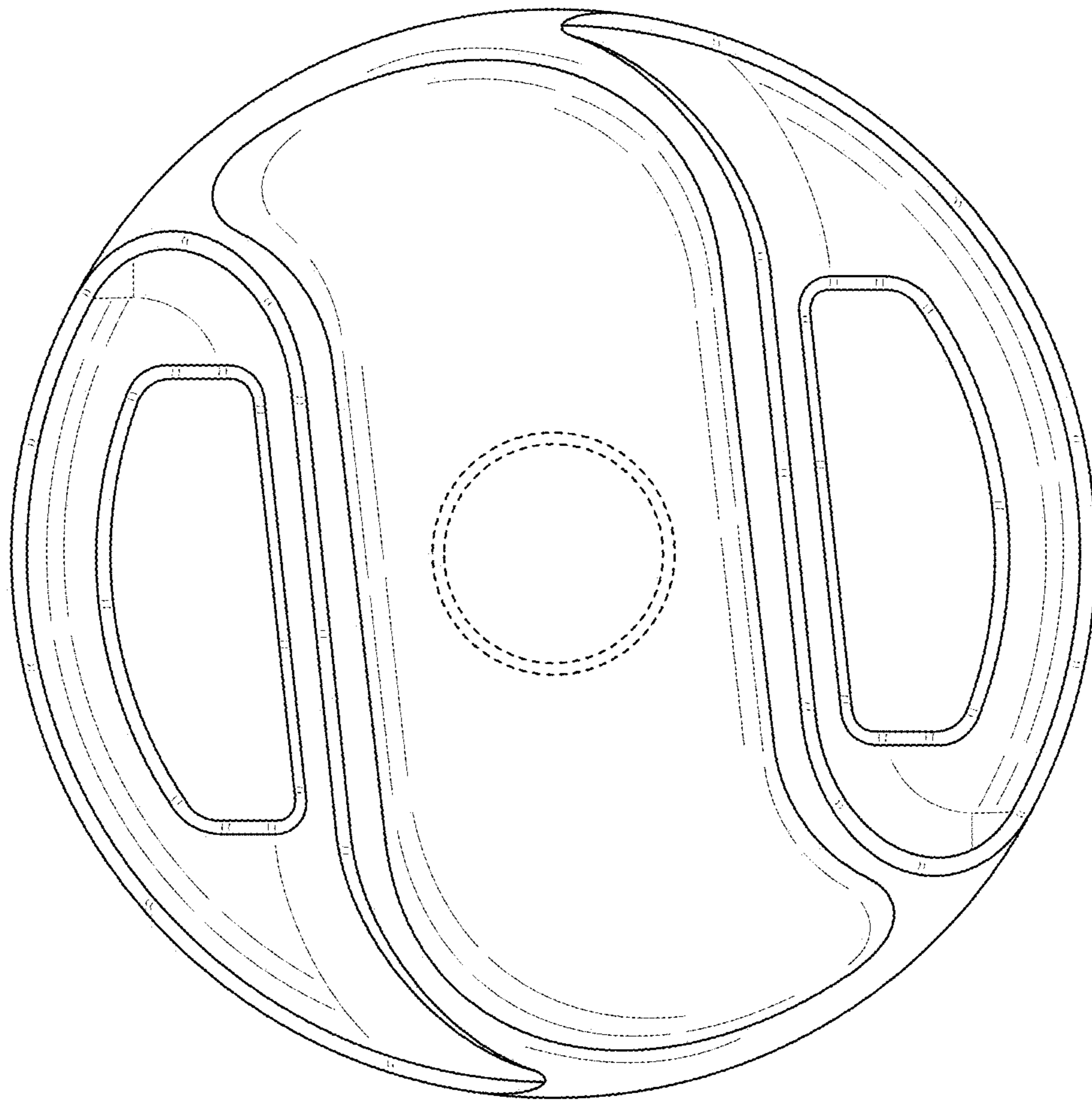


FIG. 60

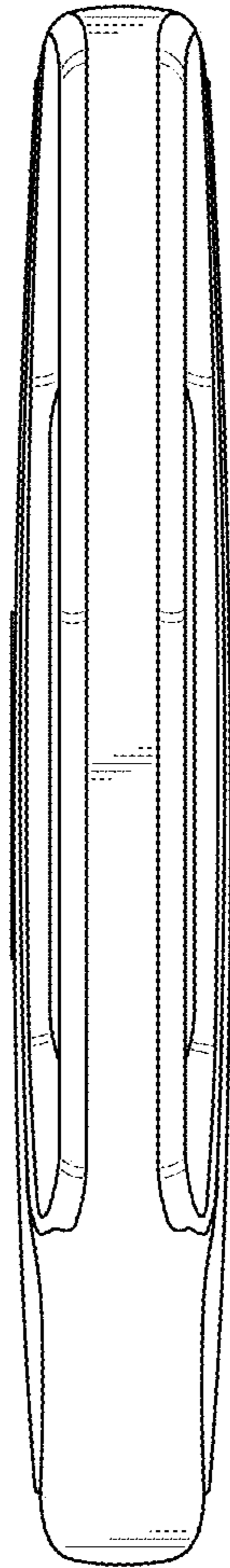


FIG. 61

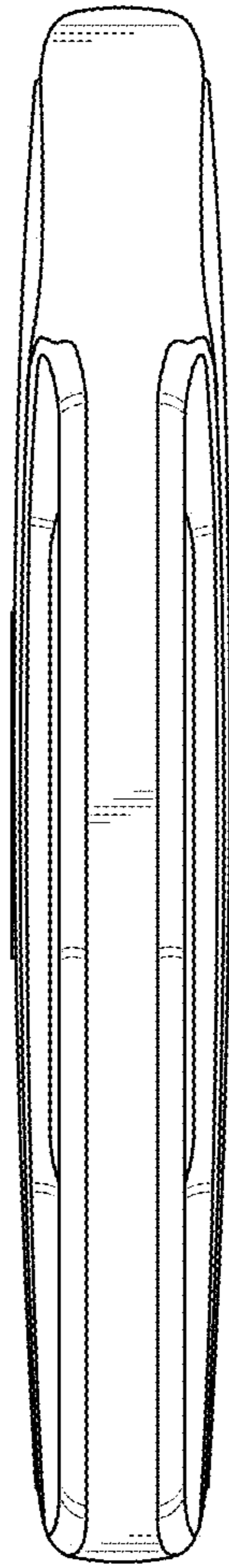


FIG. 62

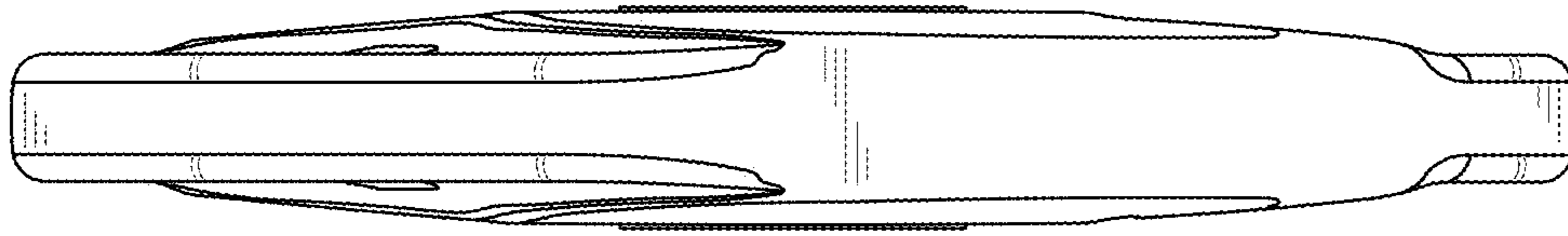


FIG. 63

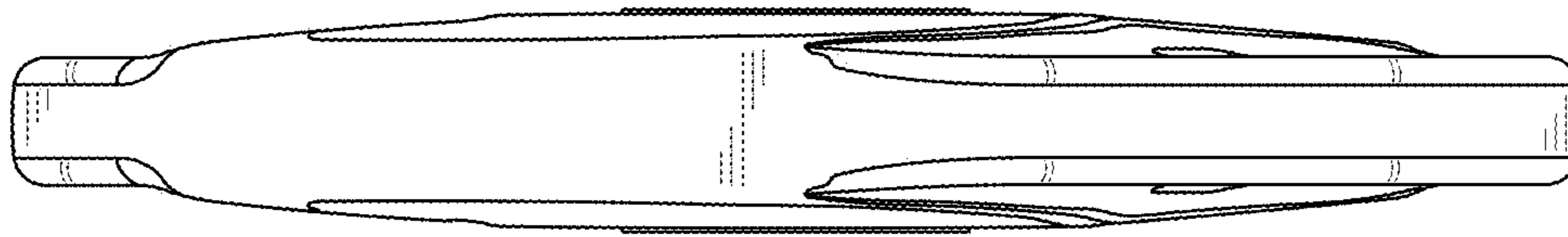


FIG. 64